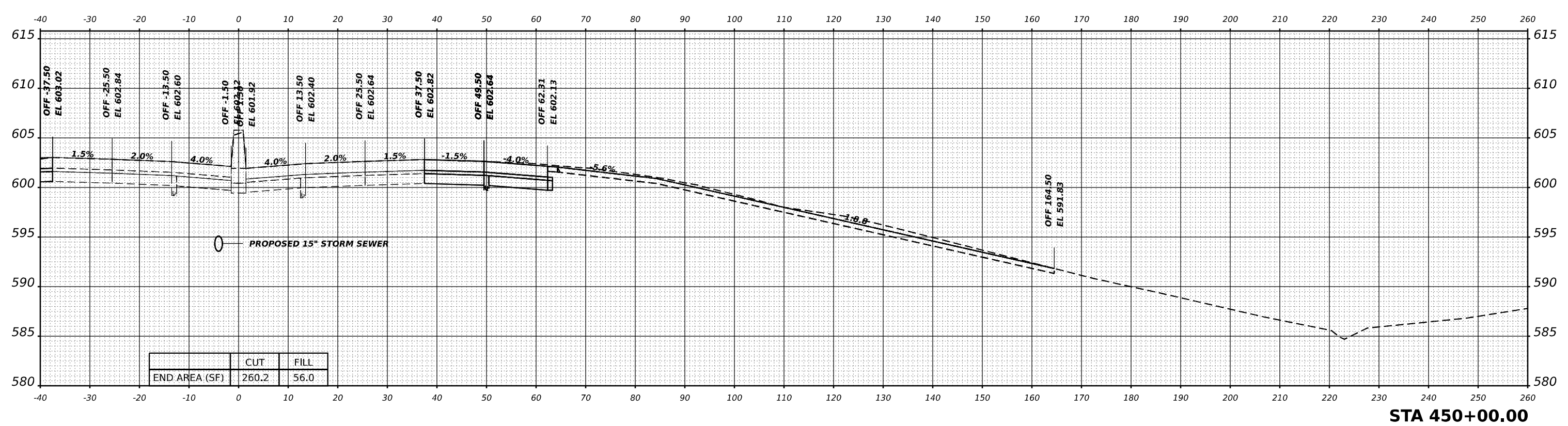
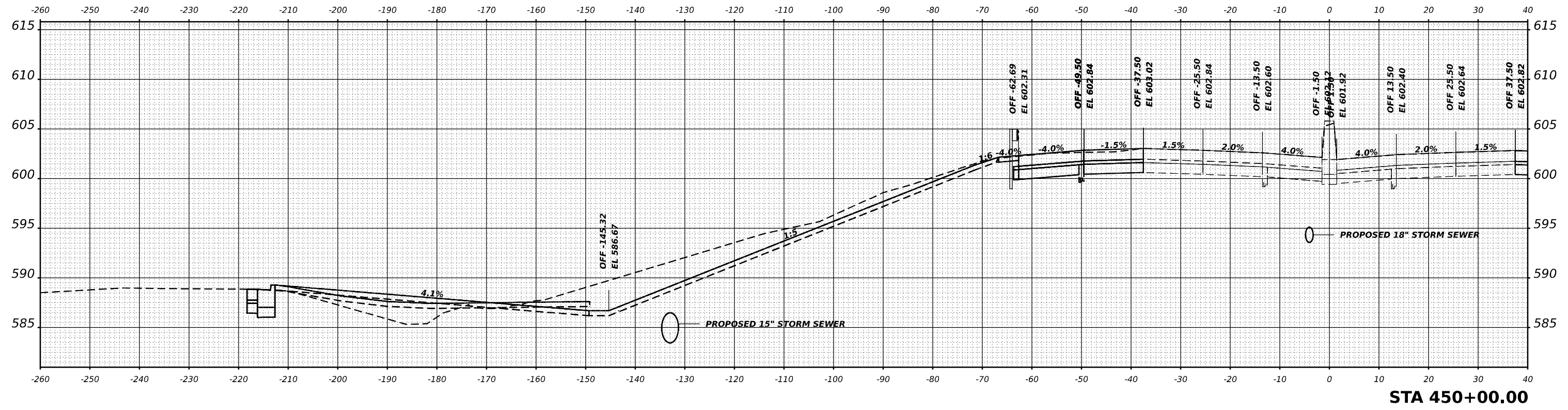


DATE	
BY	
FINAL SURVEY	SURVEYED
NOTE BOOK	PLOTTED
NO.	TEMPLATE
	AREAS
	CHECKED

DATE	
BY	
ORIGINAL SURVEY	SURVEYED
NOTE BOOK	PLOTTED
NO.	TEMPLATE
	AREAS
	CHECKED

MODEL: BL_RL_80_WA - 150+00.00 (Sheet)
 FILE NAME: p:\transystems\paw\dev\transystems\paw\based\documents\projects\2018\CH401\401\80022\02-TransSystems\CA\0\05\02-Container\STAGE 2\2011TSC-CONTAINER_PS_ROADWAY_S2.plt



END AREA (SF)	CUT	FILL
	260.2	56.0

TRANSYSTEMS

USER NAME	= amkluver	DESIGNED	- VLJ	REVISED	-
		DRAWN	- MBM	REVISED	-
PLOT SCALE	= 0.16666633 1/ in.	CHECKED	- JMG	REVISED	-
PLOT DATE	= 6/23/2023	DATE	- 6/26/23	REVISED	-

**STATE OF ILLINOIS
DEPARTMENT OF TRANSPORTATION**

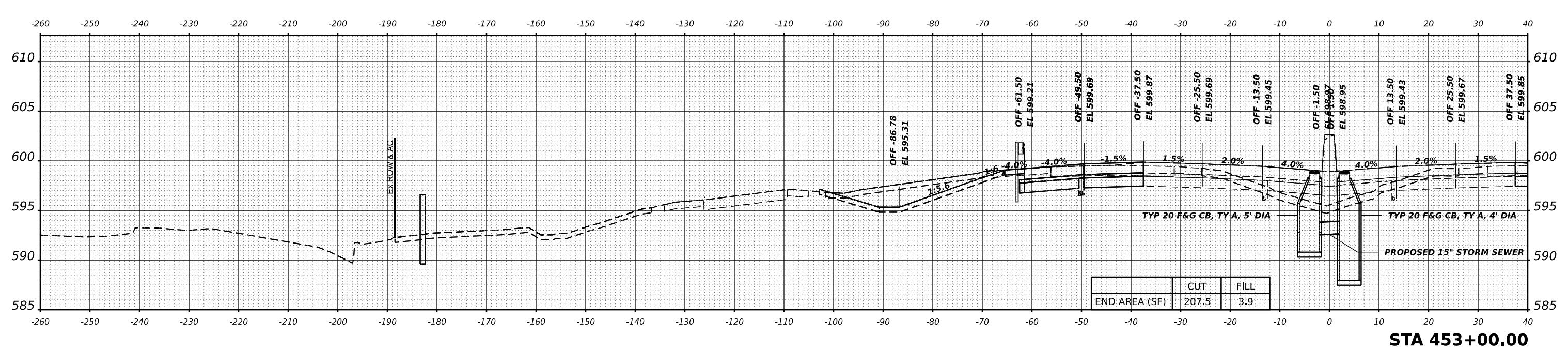
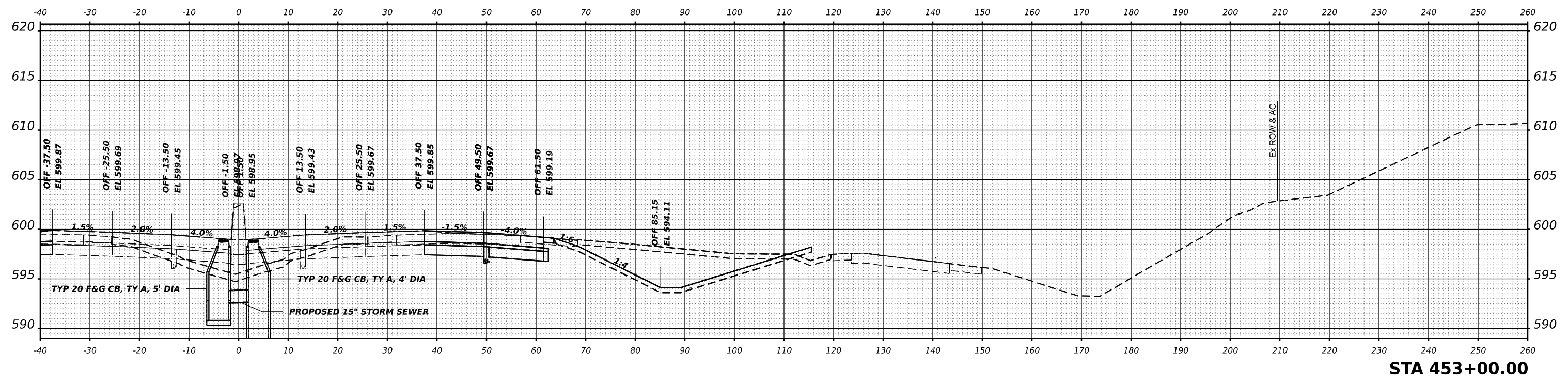
CROSS SECTIONS STAGE 2			
I-80			
SCALE: 10:H 5:V	SHEET 31	OF 83 SHEETS	STA. 450+00.00

F.A.P. RTE.	SECTION	COUNTY	TOTAL SHEETS	SHEET NO.
I-80	FAI 80 21 STRUCTURE 6	WILL	898	801
			CONTRACT NO. 62R27	
ILLINOIS		FED. AID PROJECT		

FINAL SURVEY NO.	SURVEYED	DATE
NOTE BOOK	PLOTTED	
AREAS CHECKED	TEMPLATE	
	AREAS	
	CHECKED	

ORIGINAL SURVEY NO.	SURVEYED	DATE
NOTE BOOK	PLOTTED	
AREAS CHECKED	TEMPLATE	
	AREAS	
	CHECKED	

MODEL: BL_P1_80_W1 - 453+00.00 [Sheet]
 FILE NAME: p:\transystems\p1_80\Drawings\Drawings\Projects\2018\C401\40118022\02-TransSystems\CAD\05-D02-Container\STAGE 2\PS-D115C-CONTAINER_PS_ROADWAY_S2.P2.dgn



END AREA (SF)	CUT	FILL
	207.5	3.9



USER NAME = amkluver	DESIGNED - VLJ	REVISED -
PLOT SCALE = 0.16666633 1/16"	DRAWN - MBM	REVISED -
PLOT DATE = 6/23/2023	CHECKED - JMG	REVISED -
	DATE - 6/26/23	REVISED -

**STATE OF ILLINOIS
DEPARTMENT OF TRANSPORTATION**

**CROSS SECTIONS STAGE 2
I-80**

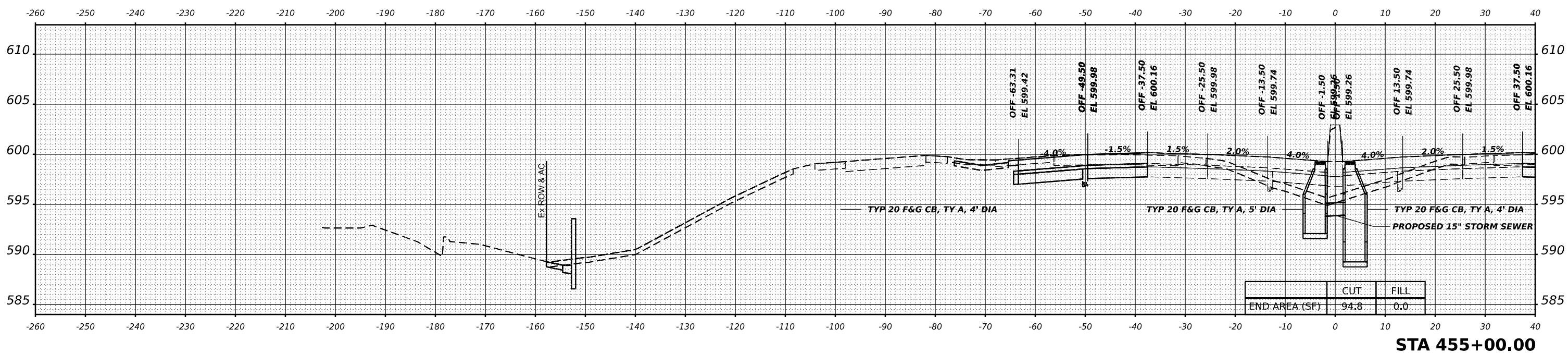
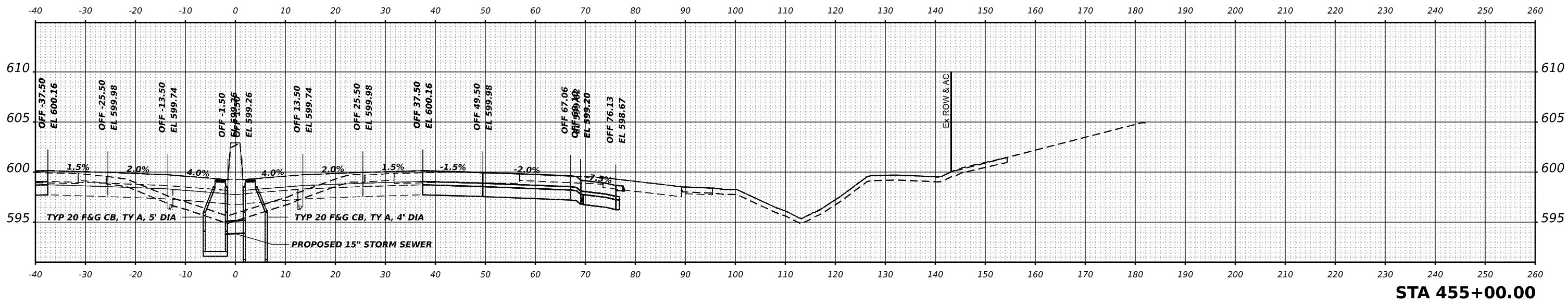
SCALE: 10:H 5:V SHEET 34 OF 83 SHEETS STA. 453+00.00

F.A.I. RTE.	SECTION	COUNTY	TOTAL SHEETS	SHEET NO.
I-80	FAI 80 21 STRUCTURE 6	WILL	898	804
				CONTRACT NO. 62R27
		ILLINOIS	FED. AID PROJECT	

FINAL SURVEY NO.	SURVEYED	DATE
NOTE BOOK	PLOTTED	
AREAS CHECKED	TEMPLATE	
	AREAS	

ORIGINAL SURVEY NO.	SURVEYED	DATE
NOTE BOOK	PLOTTED	
AREAS CHECKED	TEMPLATE	
	AREAS	

MODEL: BL_P1_80_W4 - 455+00.00 (Sheet)
 FILE NAME: p:\transystems\p1_80\455+00.00\Drawings\Projects\2018\CH401\401\80022\02-TransSystems\CA\015\02-Container\STAGE 2\2-D11SC-Container_PS-ROADWAY_52.P2.dgn



	CUT	FILL
END AREA (SF)	94.8	0.0

TRANSYSTEMS

USER NAME	= amkluver
PLOT SCALE	= 0.16666633 1/ in.
PLOT DATE	= 6/23/2023

DESIGNED	- VLJ
DRAWN	- MBM
CHECKED	- JMG
DATE	- 6/26/23

REVISED	-
REVISED	-
REVISED	-
REVISED	-

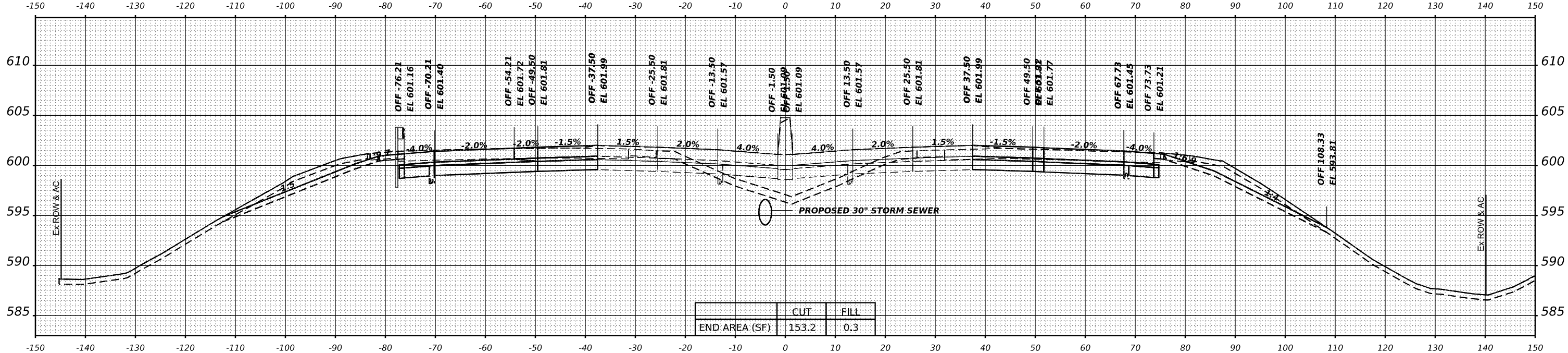
**STATE OF ILLINOIS
DEPARTMENT OF TRANSPORTATION**

**CROSS SECTIONS STAGE 2
I-80**

SCALE: 10:H 5:V SHEET 36 OF 83 SHEETS STA. 455+00.00

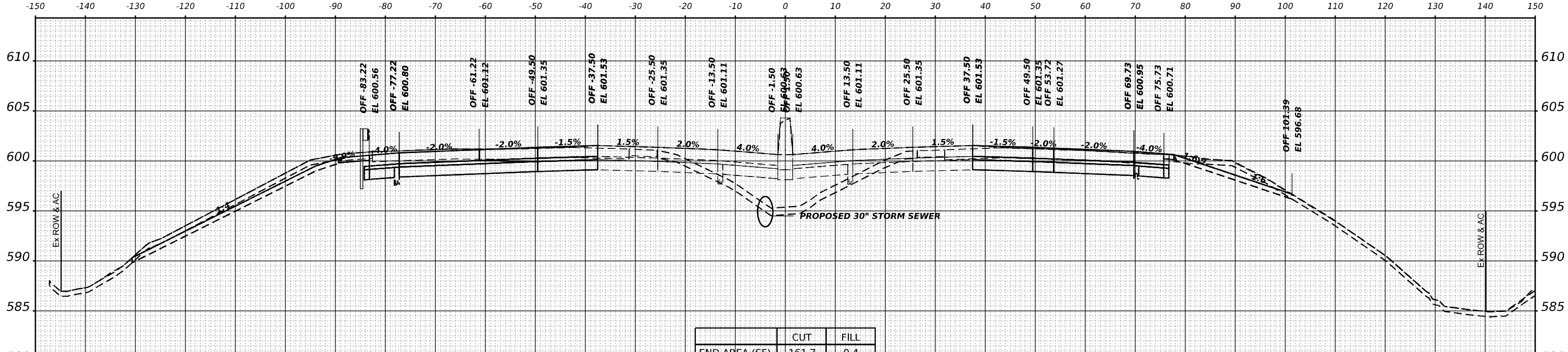
F.A.I. RTE.	SECTION	COUNTY	TOTAL SHEETS	SHEET NO.
I-80	FAI 80 21 STRUCTURE 6	WILL	898	806
			CONTRACT NO. 62R27	
		ILLINOIS FED. AID PROJECT		

BY		DATE
FINAL SURVEY	SURVEYED	
NOTE BOOK	PLOTTED	
NO.	TEMPLATE	
	AREAS CHECKED	
	AREAS	



STA 459+00.00

BY		DATE
ORIGINAL SURVEY	SURVEYED	
NOTE BOOK	PLOTTED	
NO.	TEMPLATE	
	AREAS CHECKED	
	AREAS	



STA 458+00.00

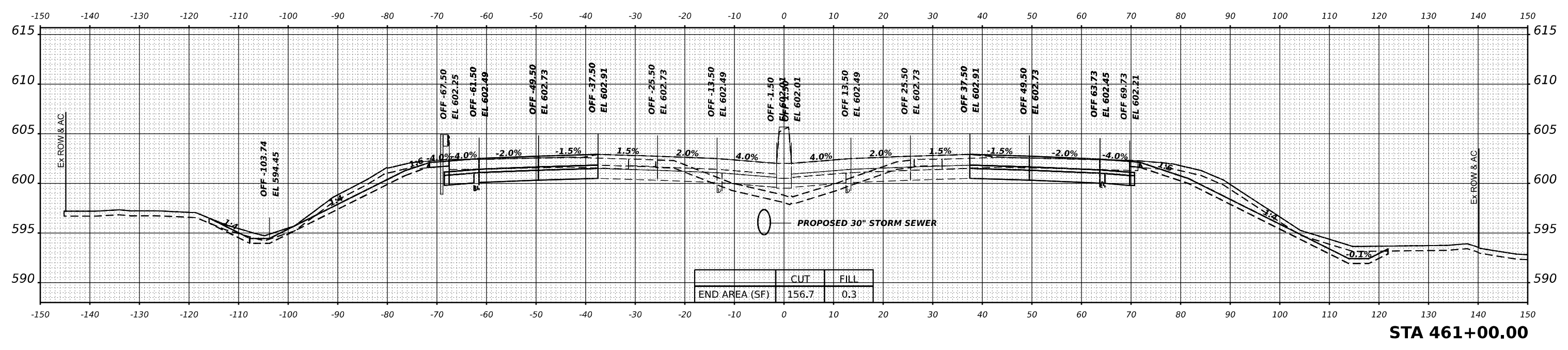
MODEL: BL_RL_80_WA1 - US8+00.00 [Sheet]
 FILE NAME: p:\transystems\p\bldev\transystems\p\bldev\documents\projects-2018\C401\401.8002\02-TransSystems\CAD\05-SD\02-Container\stage 2\p2-d1tsc-container_PS_roadway_s2.p2.dgn

TRANSYSTEMS	USER NAME = amkluver	DESIGNED - VLJ	REVISED -	STATE OF ILLINOIS DEPARTMENT OF TRANSPORTATION	CROSS SECTIONS STAGE 2			F.A.I. RTE.	SECTION	COUNTY	TOTAL SHEETS	SHEET NO.
	PLOT SCALE = 0.16666633 1/In.	CHECKED - JMG	REVISED -		I-80	I-80	FAI 80 21 STRUCTURE 6	WILL	898	809		
	PLOT DATE = 6/23/2023	DATE - 6/26/23	REVISED -		SCALE: 10:H 5:V	SHEET 39	OF 83 SHEETS	STA. 458+00.00	459+00.00	CONTRACT NO. 62R27		
	ILLINOIS FED. AID PROJECT											

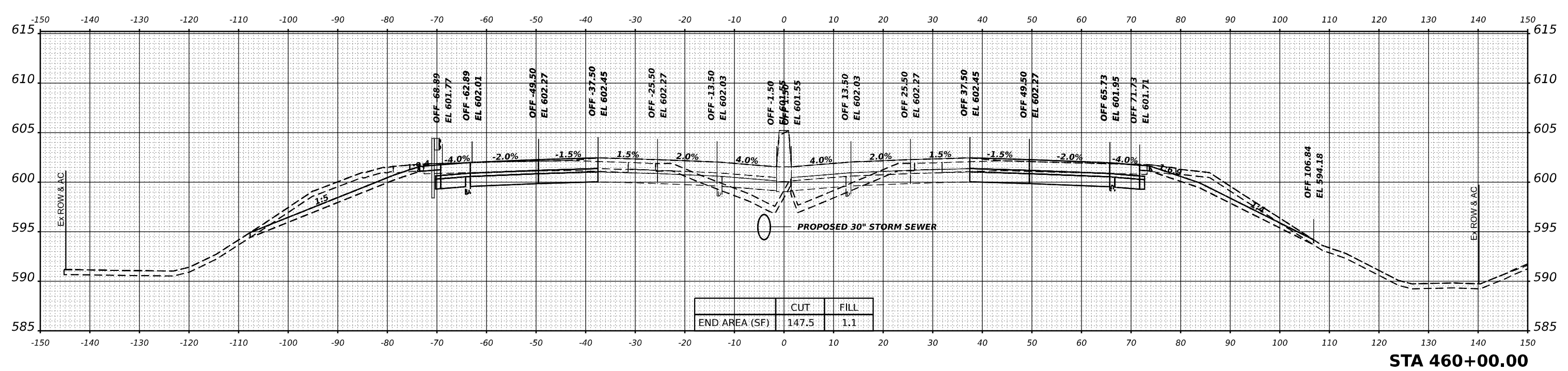
DATE	
BY	
FINAL SURVEY	SURVEYED
NOTE BOOK	PLOTTED
NO.	TEMPLATE
	AREAS
	AREAS CHECKED

DATE	
BY	
ORIGINAL SURVEY	SURVEYED
NOTE BOOK	PLOTTED
NO.	TEMPLATE
	AREAS
	AREAS CHECKED

MODEL: BL_PU_80_WA - 460+00.00 (Sheet)
 FILE NAME: p:\transystems\p\dev\transystems\p\paw\based\Documents\Projects_2018\C4401401180022\02-TransSystems\CAD\05-D02-Container\STAGE 2\PS-D11SC-CONTAINER_PS_ROADWAY_52.P2.dgn



STA 461+00.00



STA 460+00.00

USER NAME	= amkluver	DESIGNED	- VJ	REVISED	-
		DRAWN	- MBM	REVISED	-
PLOT SCALE	= 0.16666633 1/ in.	CHECKED	- JMG	REVISED	-
PLOT DATE	= 6/23/2023	DATE	- 6/26/23	REVISED	-

**STATE OF ILLINOIS
DEPARTMENT OF TRANSPORTATION**

**CROSS SECTIONS STAGE 2
I-80**

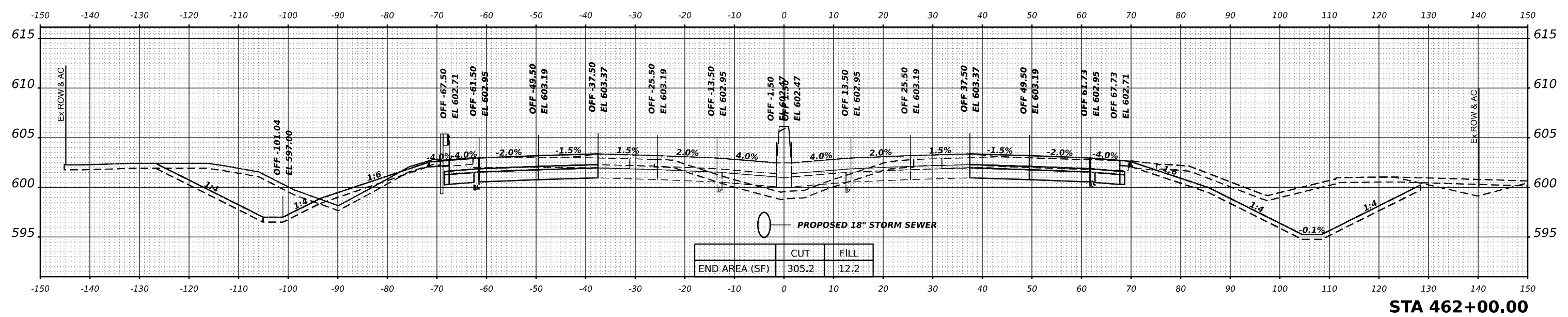
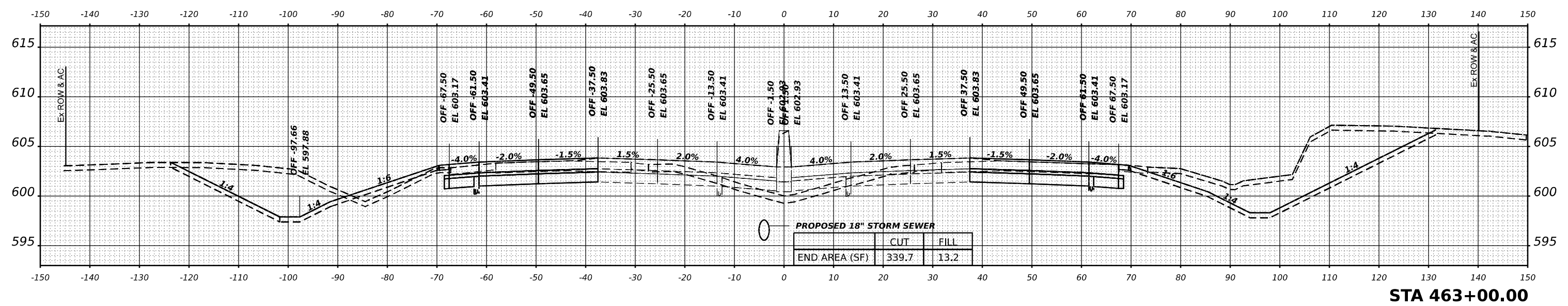
F.A.I. RTE.	SECTION	COUNTY	TOTAL SHEETS	SHEET NO.
I-80	FAI 80 21 STRUCTURE 6	WILL	898	810
			CONTRACT NO. 62R27	
		ILLINOIS	FED. AID PROJECT	

SCALE: 10:H 5:V SHEET 40 OF 83 SHEETS STA. 460+00.00 461+00.00

FINAL SURVEY NO.	SURVEYED	DATE
NOTE BOOK	PLOTTED	
	TEMPLATE	
	AREAS	
	AREAS CHECKED	

ORIGINAL SURVEY NO.	SURVEYED	DATE
NOTE BOOK	PLOTTED	
	TEMPLATE	
	AREAS	
	AREAS CHECKED	

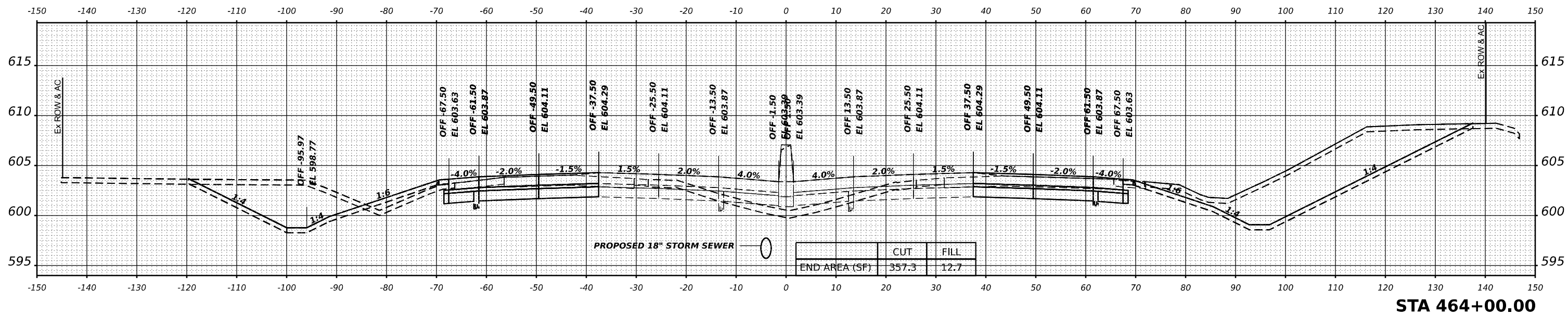
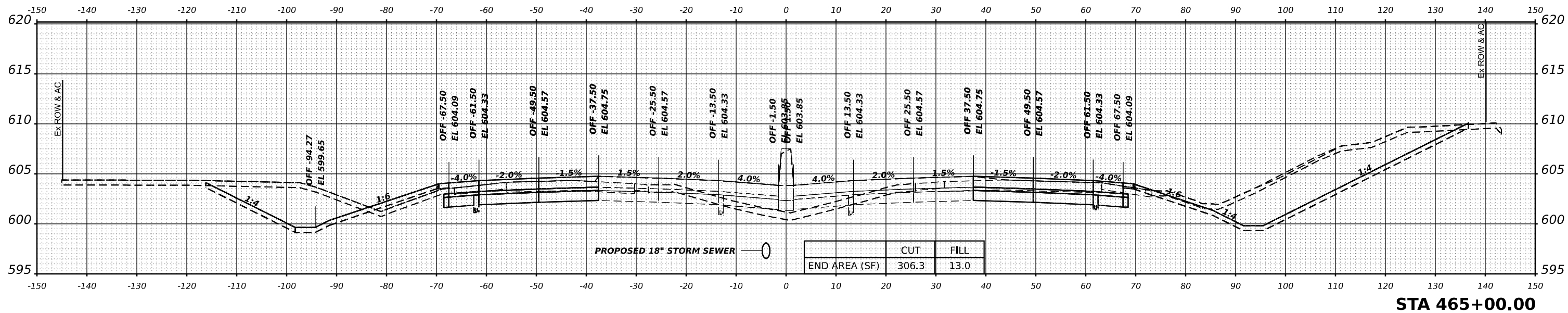
MODEL: BL_P1_00_WA1_462+00.00 [Sheet]
 FILE NAME: p:\transystems\p1\dev\transystems\p1\basedocuments\projects\2018\c401401180022\02-Transystems\CA\015-SD\02-Container\STAGE 2\PS-0115-C-CONTAINER_PS_ROADWAY_S2.P2.dgn



DATE	
BY	
FINISHED	
PLOTTED	
NOTE BOOK	
AREAS CHECKED	
NO.	

DATE	
BY	
ORIGINAL SURVEY	
PLOTTED	
NOTE BOOK	
AREAS CHECKED	
NO.	

MODEL: BL_P1_80_W1 - 164+00.00 (Sheet)
 FILE NAME: p:\transystems\p1_80\transystems\p1_80\2022\2022\Transystems\CA\05\2D\02-Container\STAGE 2\22-01TSC-CONTAINER_PS_ROADWAY_52-22.dgn



TRANSYSTEMS

USER NAME	= amkluver	DESIGNED	- VJ	REVISED	-
PLOT SCALE	= 0.16666633 1/ in.	DRAWN	- MBM	REVISED	-
PLOT DATE	= 6/23/2023	CHECKED	- JMG	REVISED	-
		DATE	- 6/26/23	REVISED	-

**STATE OF ILLINOIS
DEPARTMENT OF TRANSPORTATION**

**CROSS SECTIONS STAGE 2
I-80**

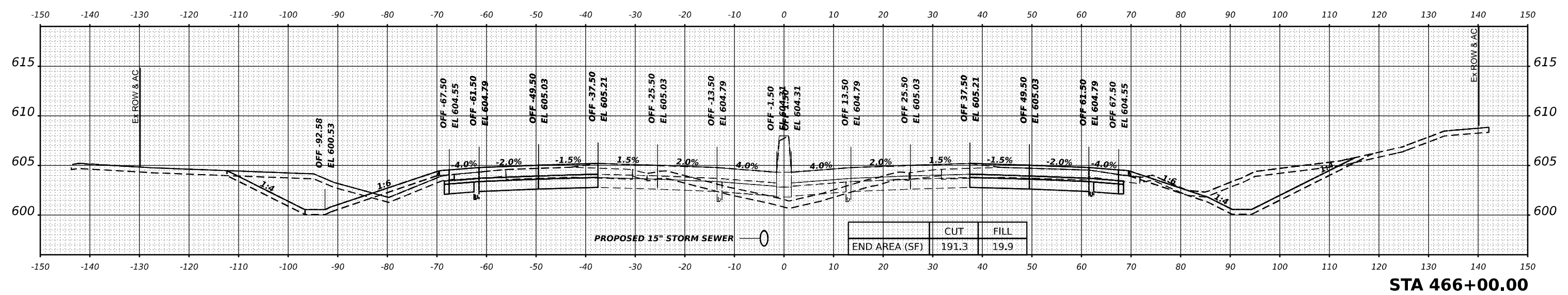
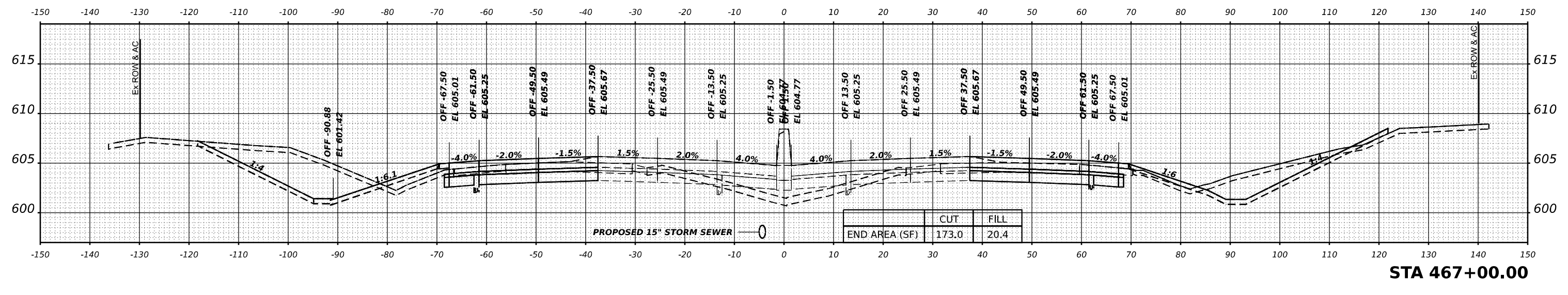
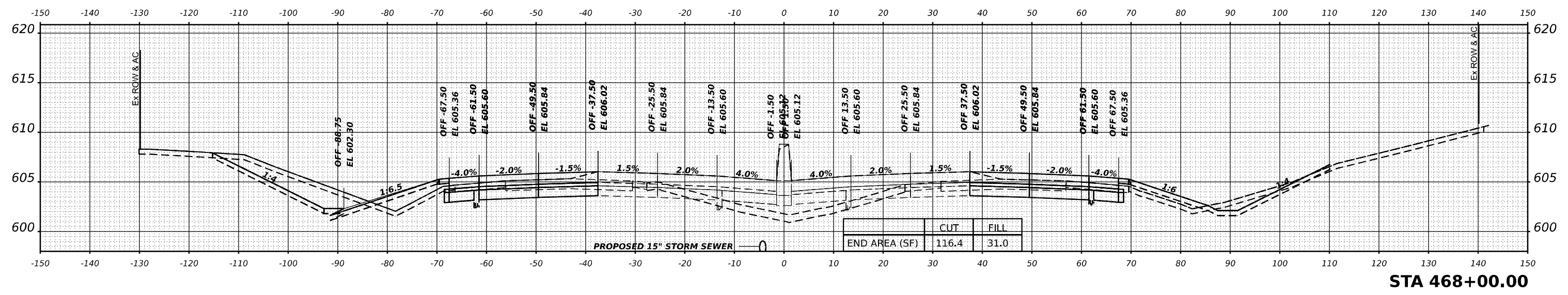
SCALE: 10:H 5:V SHEET 42 OF 83 SHEETS STA. 464+00.00 465+00.00

F.A.I. RTE.	SECTION	COUNTY	TOTAL SHEETS	SHEET NO.
I-80	FAI 80 21 STRUCTURE 6	WILL	898	812
CONTRACT NO. 62R27				
ILLINOIS FED. AID PROJECT				

DATE	
BY	
ORIGINAL SURVEY	
PLOTTED	
TEMPLATE	
AREAS	
AREAS CHECKED	
NO.	
FINAL SURVEY	
NOTE BOOK	
NO.	

DATE	
BY	
ORIGINAL SURVEY	
PLOTTED	
TEMPLATE	
AREAS	
AREAS CHECKED	
NO.	

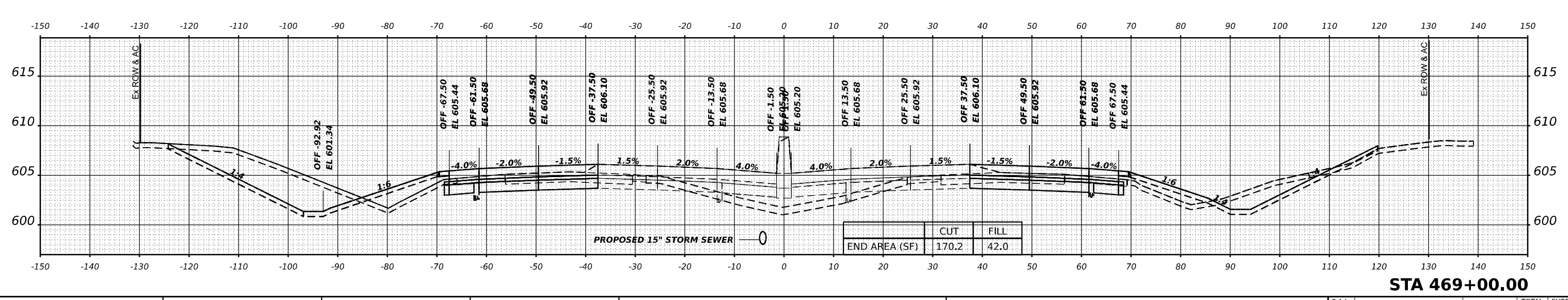
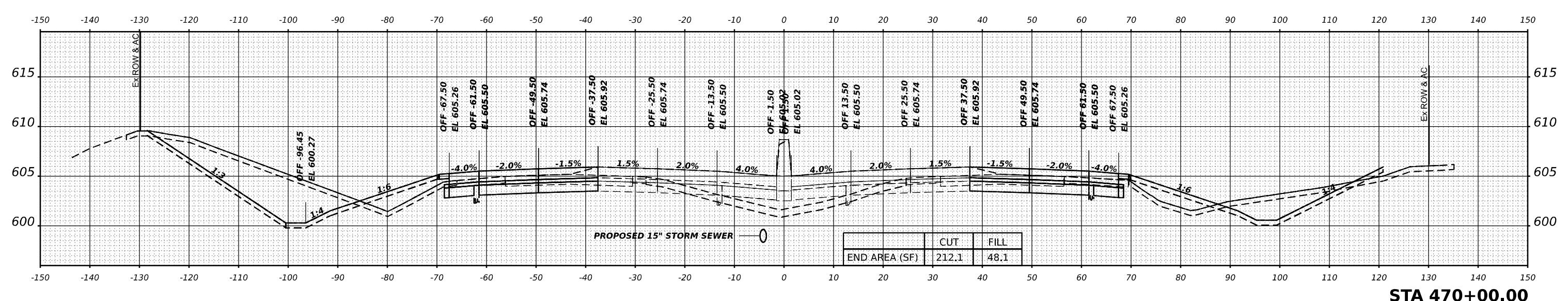
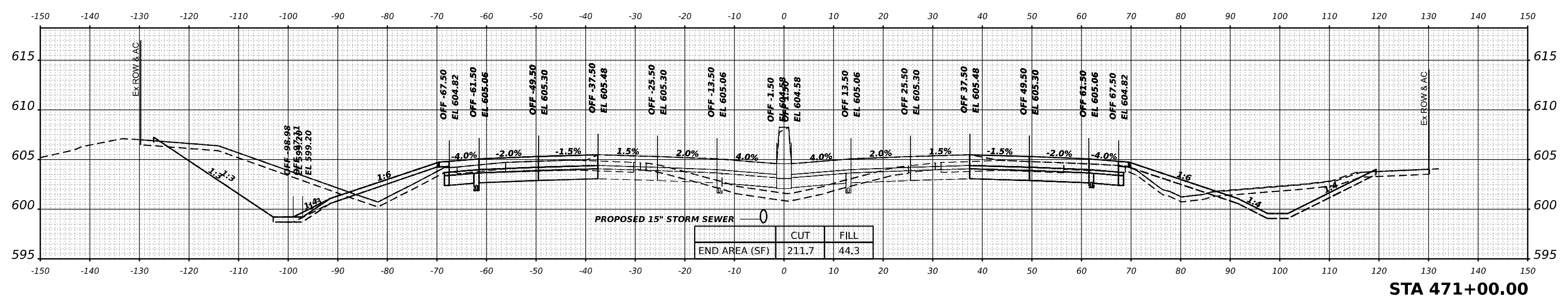
MODEL: BL_P1_00_WA-1-166+00.00 [Sheet]
 FILE NAME: p:\transystems\p1\dev\transystems\p1\based\Documents\Projects\2018\C401\401.80022\02-TransSystems\CAD\05-D02-Container\STAGE 2\P2-D11-C-CONTAINER_PS_ROADWAY_S2.P2.dgn



DATE	
BY	
SURVEYED	
PLOTTED	
TEMPLATE	
AREAS	
AREAS CHECKED	
NO.	
FINAL SURVEY	
NOTE BOOK	
NO.	

DATE	
BY	
SURVEYED	
PLOTTED	
TEMPLATE	
AREAS	
AREAS CHECKED	
NO.	
ORIGINAL SURVEY	
NOTE BOOK	
NO.	

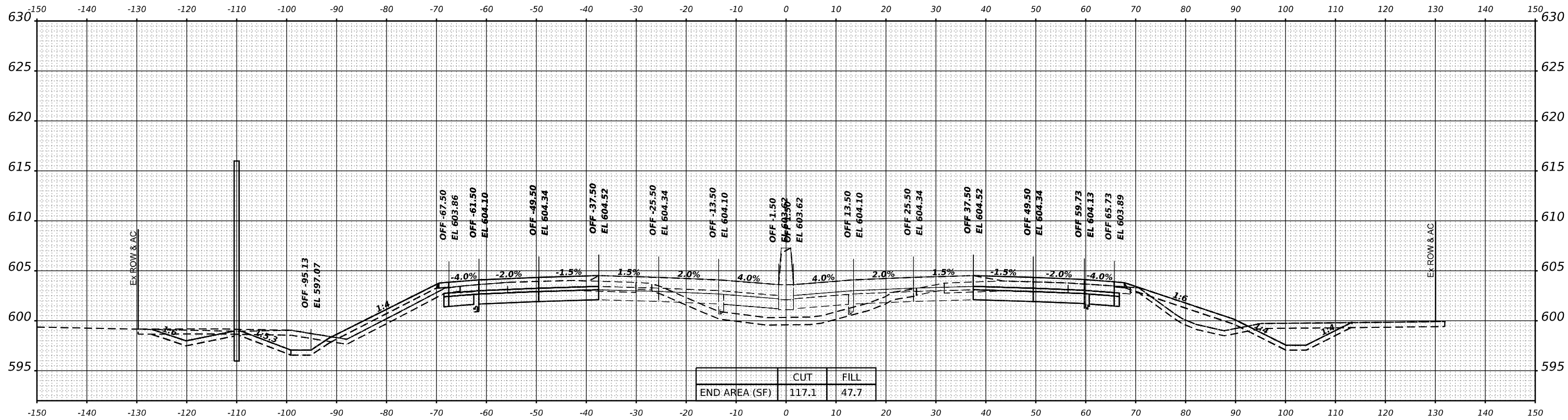
MODEL: BL_PU_00_WA-1_469+00.00 [Sheet]
 FILE NAME: p:\transystems\p\dev\transystems\p\roadway\roadway\Documents\Projects\2018\C401\401.18002\02-TransSystems\CA\015-D\02-Container\STAGE 2\02-D1TSC-CONTAINER_PS_ROADWAY_52-02.dgn



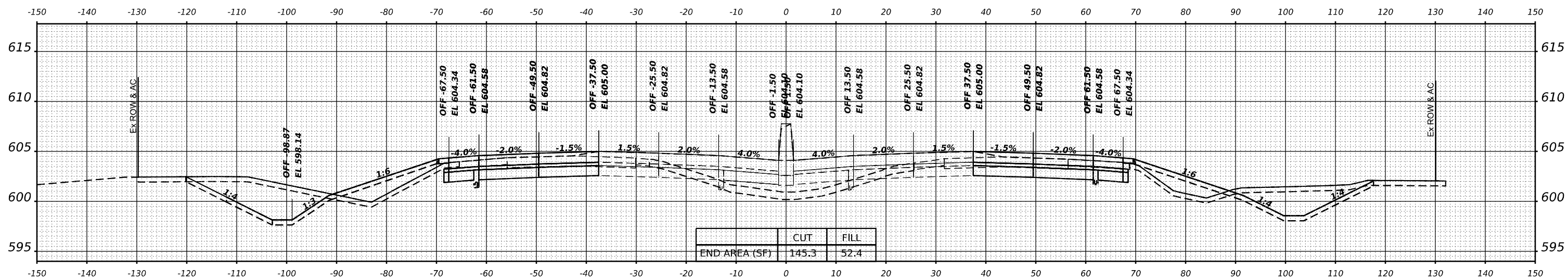
FINAL SURVEY NO.	DATE
SURVEYED	
PLOTTED	
TEMPLATE	
NOTE BOOK	
AREAS CHECKED	

ORIGINAL SURVEY NO.	DATE
SURVEYED	
PLOTTED	
TEMPLATE	
NOTE BOOK	
AREAS CHECKED	

MODEL: BL_RL_80_WA - 472+00.00 [Sheet]
 FILE NAME: p:\transystems\paw\based\Documents\Projects\2018\C401\401180022\02-TransSystems\CAD\5-D\02-Container\STAGE 2\PS-D11SC-CONTAINER_PS_ROADWAY_52.P2.dgn



STA 473+00.00



STA 472+00.00

TRANSYSTEMS

USER NAME	= amkluver	DESIGNED	- VJ	REVISED	-
PLOT SCALE	= 0.16666633 1/In.	DRAWN	- MBM	REVISED	-
PLOT DATE	= 6/23/2023	CHECKED	- JMG	REVISED	-
		DATE	- 6/26/23	REVISED	-

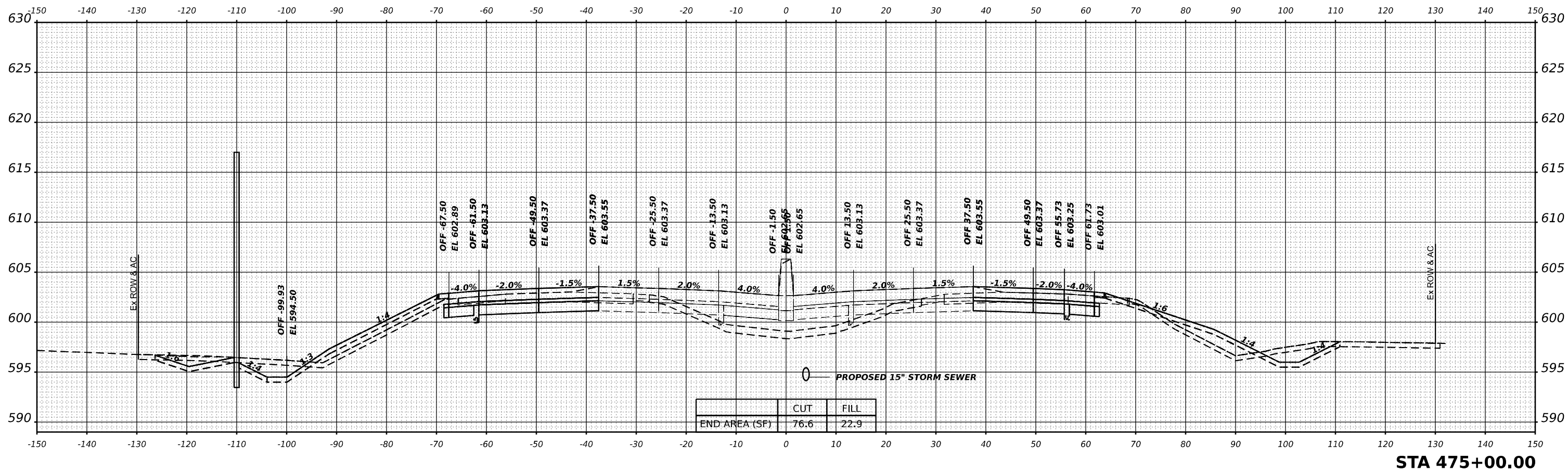
STATE OF ILLINOIS
DEPARTMENT OF TRANSPORTATION

CROSS SECTIONS STAGE 2
I-80

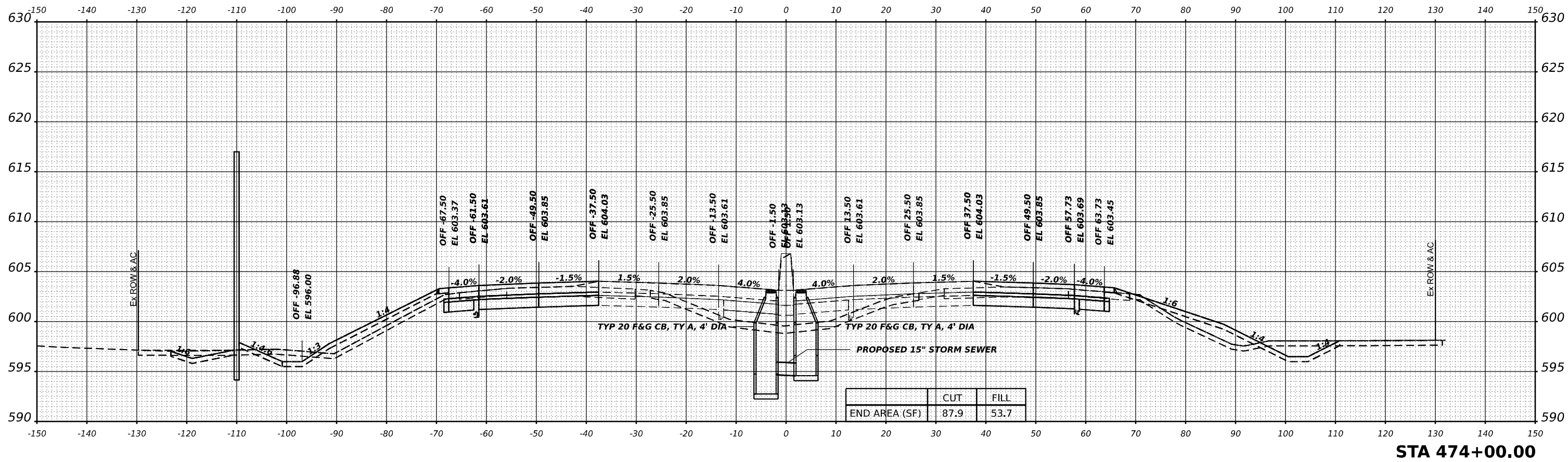
SCALE: 10:H 5:V SHEET 45 OF 83 SHEETS STA. 472+00.00 473+00.00

F.A.I. RTE.	SECTION	COUNTY	TOTAL SHEETS	SHEET NO.
I-80	FAI 80 21 STRUCTURE 6	WILL	898	815
				CONTRACT NO. 62R27
		ILLINOIS	FED. AID PROJECT	

FINAL SURVEY	SURVEYED	BY	DATE
NOTE BOOK	PLOTTED		
NO.	TEMPLATE		
	AREAS CHECKED		



ORIGINAL SURVEY	SURVEYED	BY	DATE
NOTE BOOK	PLOTTED		
NO.	TEMPLATE		
	AREAS CHECKED		



MODEL: BL_P1_00_WA3 - 474+00.00 [Sheet]
FILE NAME: p:\transystems\p1\dev\transystems\p1\based\documents\projects\2018\CH401\401\80022\02-TransSystems\CAD\05-SD\02-Container\STAGE 2\02-D1TSC-CONTAINER_PS_ROADWAY_52-02.dgn

TRANSYSTEMS

USER NAME	= amkluver
DESIGNED	- VLJ
DRAWN	- MBM
CHECKED	- JMG
DATE	- 6/26/23

REVISED	-
REVISED	-
REVISED	-
REVISED	-

**STATE OF ILLINOIS
DEPARTMENT OF TRANSPORTATION**

**CROSS SECTIONS STAGE 2
I-80**

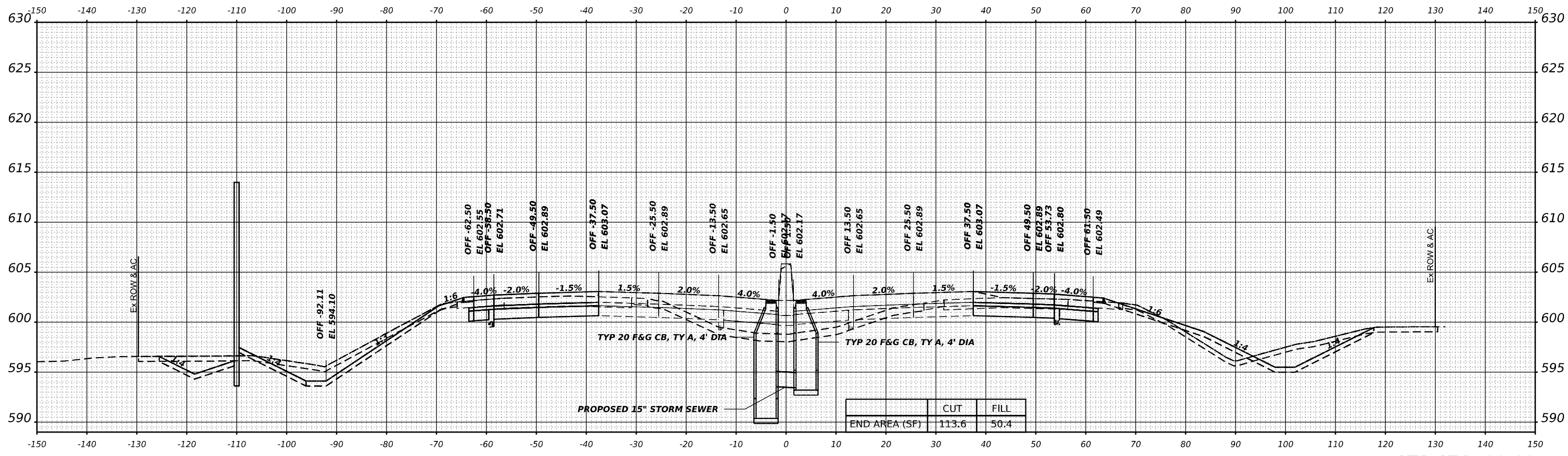
SCALE: 10:H 5:V SHEET 46 OF 83 SHEETS STA. 474+00.00 475+00.00

F.A.I. RTE.	SECTION	COUNTY	TOTAL SHEETS	SHEET NO.
I-80	FAI 80 21 STRUCTURE 6	WILL	898	816
			CONTRACT NO. 62R27	
		ILLINOIS	FED. AID PROJECT	

FINAL SURVEY NO.	SURVEYED AREAS CHECKED	BY	DATE

ORIGINAL SURVEY NO.	SURVEYED AREAS CHECKED	BY	DATE

MODEL: BL_P\I_80_WA-176+00.00 [Sheet] FILE NAME: j:\pwork\transys\pwork\dev\transys\pwork\pwork\Documents\Projects\2018\C401401180022\02-TransSystems\CAD\05-D\02-Container\STAGE 2\I2-2015-C-CONTAINER_PS_ROWDRWAY_52.P2.dgn



STA 476+00.00

TRANSYSTEMS

USER NAME = amkluver	DESIGNED - VLJ	REVISED -
PLOT SCALE = 0.16666633 1/ in.	DRAWN - MBM	REVISED -
PLOT DATE = 6/23/2023	CHECKED - JMG	REVISED -
	DATE - 6/26/23	REVISED -

**STATE OF ILLINOIS
DEPARTMENT OF TRANSPORTATION**

CROSS SECTIONS STAGE 2		
I-80		
SCALE: 10:H 5:V	SHEET 47	OF 83 SHEETS
STA. 476+00.00		

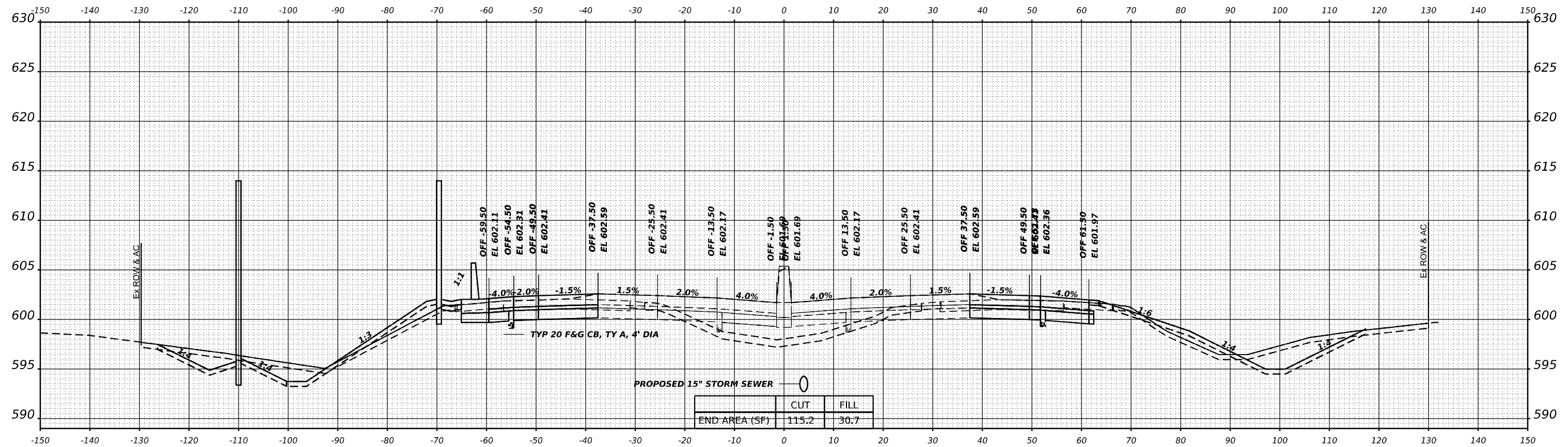
F.A.I. RTE.	SECTION	COUNTY	TOTAL SHEETS	SHEET NO.
I-80	FAI 80 21 STRUCTURE 6	WILL	898	817
			CONTRACT NO. 62R27	
		ILLINOIS	FED. AID PROJECT	

END AREA (SF)	CUT	FILL
	113.6	50.4

FINAL SURVEY	SURVEYED	BY	DATE
NOTE BOOK	PLOTTED		
NO.	TEMPLATE		
	AREAS		
	CHECKED		

ORIGINAL SURVEY	SURVEYED	BY	DATE
NOTE BOOK	PLOTTED		
NO.	TEMPLATE		
	AREAS		
	CHECKED		

MODEL: BL_P180_W4 - 477+00.00 [Sheet]
 FILE NAME: p:\transystems\p180\dev\transystems\p180\p180\2022\2022\TransSystems\CA\0\5-D\02-Container\STAGE 2\22-0115C-CONTAINER_P180_ROADWAY_S2.P2.dgn



	CUT	FILL
END AREA (SF)	115.2	30.7



USER NAME	= amkluver
PLOT SCALE	= 0.16666633 1/ in.
PLOT DATE	= 6/23/2023

DESIGNED	- VJ
DRAWN	- MBM
CHECKED	- JMG
DATE	- 6/26/23

REVISED	-
REVISED	-
REVISED	-
REVISED	-

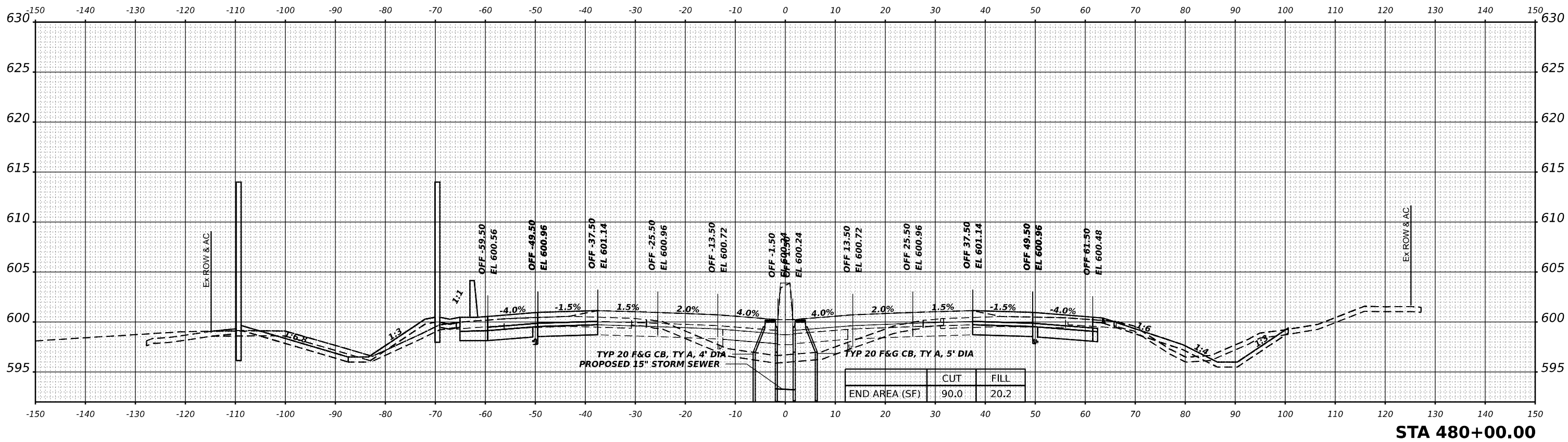
**STATE OF ILLINOIS
DEPARTMENT OF TRANSPORTATION**

CROSS SECTIONS STAGE 2			
I-80			
SCALE: 10:H 5:V	SHEET 48	OF 83 SHEETS	STA. 477+00.00

F.A.I. RTE.	SECTION	COUNTY	TOTAL SHEETS	SHEET NO.
I-80	FAI 80 21 STRUCTURE 6	WILL	898	818
				CONTRACT NO. 62R27
		ILLINOIS	FED. AID PROJECT	

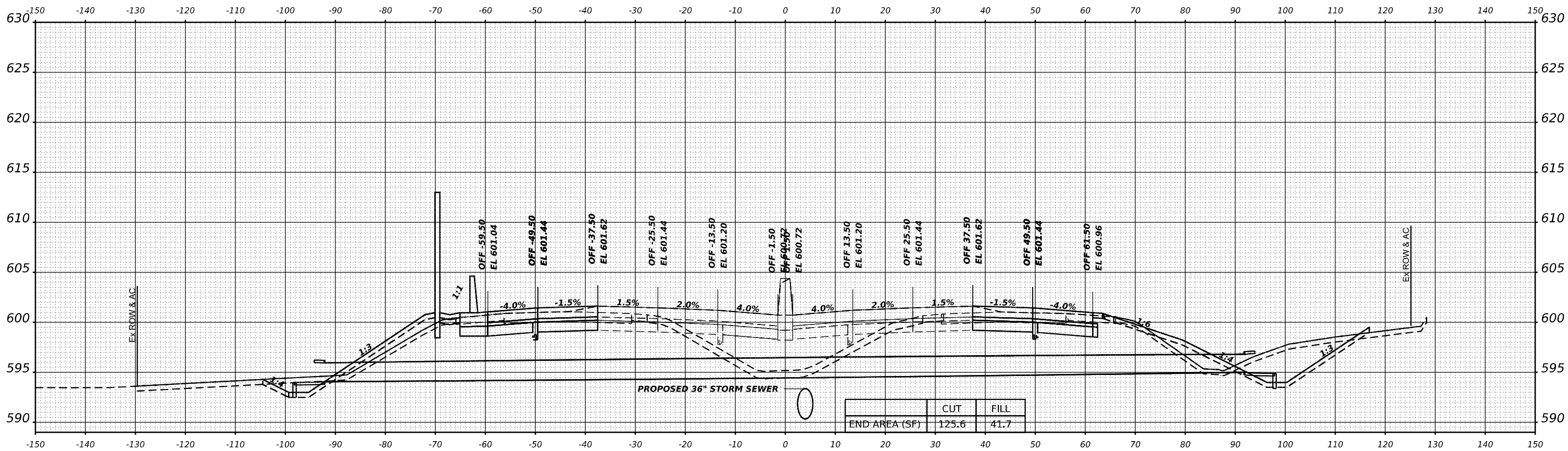
STA 477+00.00

FINAL SURVEY NO.	SURVEYED	DATE
NOTE BOOK NO.	PLOTTED	
AREAS CHECKED	TEMPLATE	
	AREAS	
	CHECKED	



STA 480+00.00

ORIGINAL SURVEY NO.	SURVEYED	DATE
NOTE BOOK NO.	PLOTTED	
AREAS CHECKED	TEMPLATE	
	AREAS	
	CHECKED	



STA 479+00.00

TRANSYSTEMS

USER NAME = amkluver	DESIGNED - VJ	REVISED -
PLOT SCALE = 0.16666633 1/16"	DRAWN - MBM	REVISED -
PLOT DATE = 6/23/2023	CHECKED - JMG	REVISED -
	DATE - 6/26/23	REVISED -

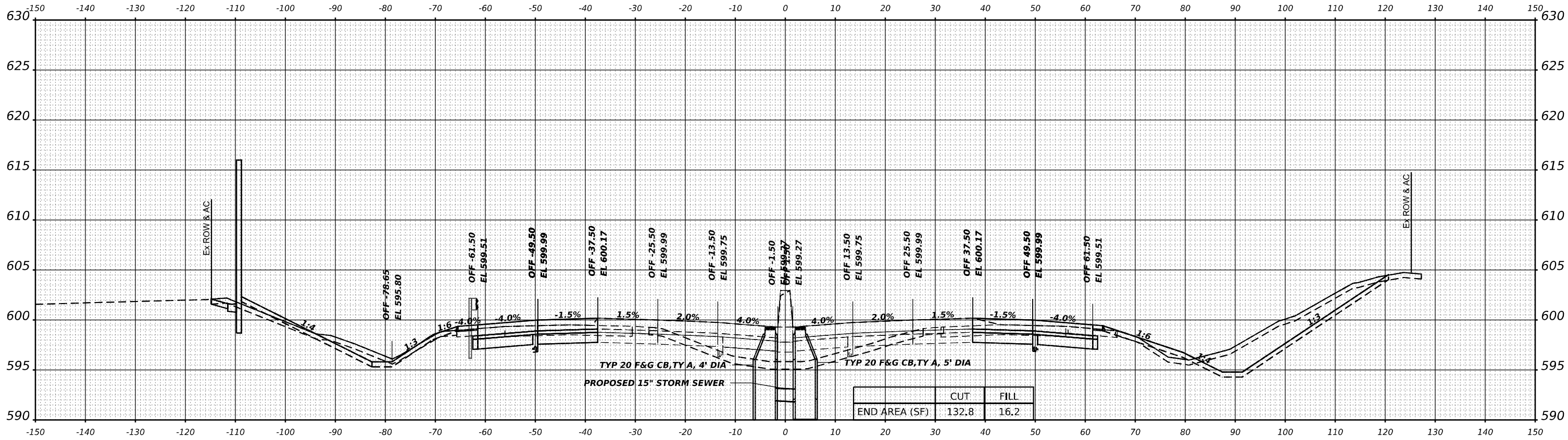
**STATE OF ILLINOIS
DEPARTMENT OF TRANSPORTATION**

**CROSS SECTIONS STAGE 2
I-80**

SCALE: 10:H 5:V SHEET 50 OF 83 SHEETS STA. 479+00.00 480+00.00

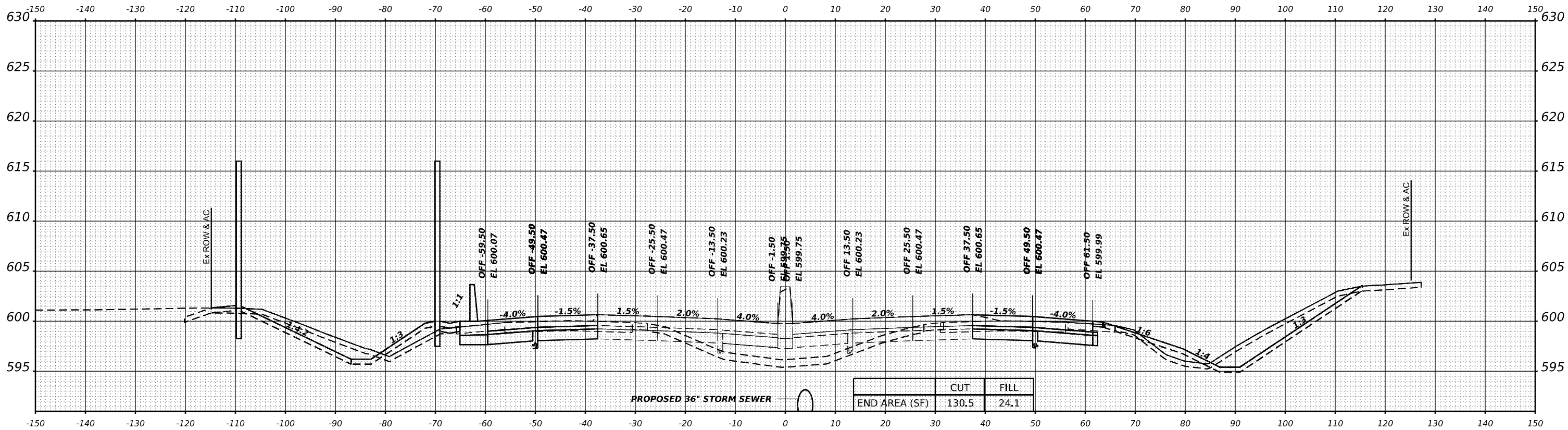
F.A.I. RTE. I-80	SECTION FAI 80 21 STRUCTURE 6	COUNTY WILL	TOTAL SHEETS 898	SHEET NO. 820
CONTRACT NO. 62R27				ILLINOIS FED. AID PROJECT

FINAL SURVEY	SURVEYED	DATE
NOTE BOOK	PLOTTED	BY
NO.	TEMPLATE	
	AREAS CHECKED	
	AREAS	



STA 482+00.00

ORIGINAL SURVEY	SURVEYED	DATE
NOTE BOOK	PLOTTED	BY
NO.	TEMPLATE	
	AREAS CHECKED	
	AREAS	



STA 481+00.00

TRANSYSTEMS

USER NAME = amkluver	DESIGNED - VLJ	REVISED -
PLOT SCALE = 0.16666633 1/16"	DRAWN - MBM	REVISED -
PLOT DATE = 6/23/2023	CHECKED - JMG	REVISED -
	DATE - 6/26/23	REVISED -

**STATE OF ILLINOIS
DEPARTMENT OF TRANSPORTATION**

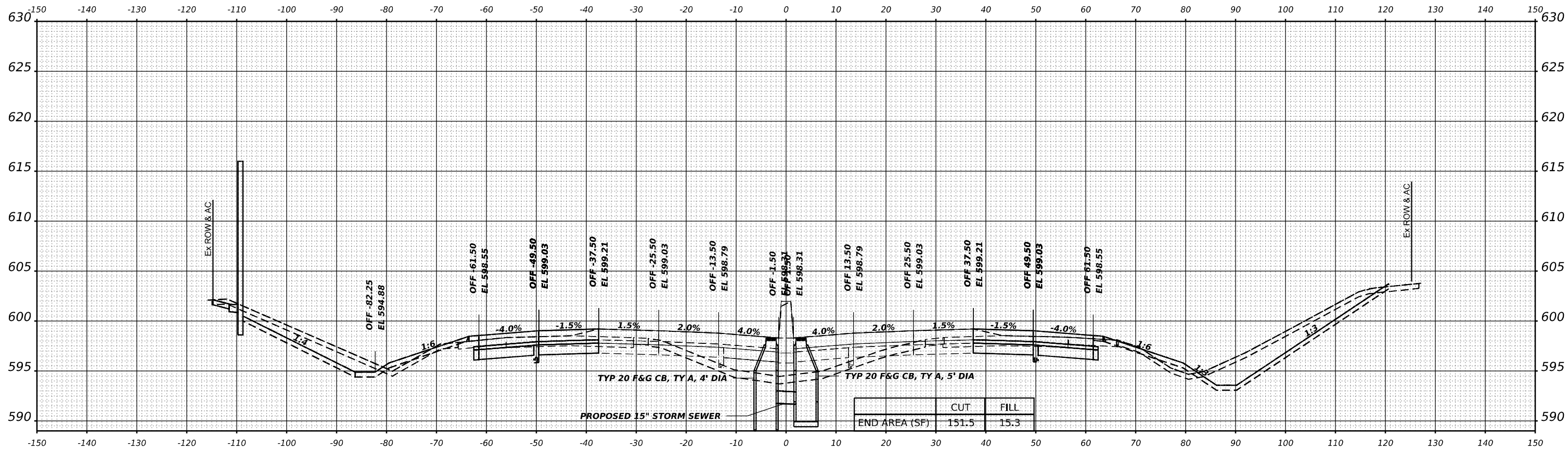
**CROSS SECTIONS STAGE 2
I-80**

SCALE: 10:H 5:V SHEET 51 OF 83 SHEETS STA. 481+00.00 482+00.00

F.A.I. RTE.	SECTION	COUNTY	TOTAL SHEETS	SHEET NO.
I-80	FAI 80 21 STRUCTURE 6	WILL	898	821
CONTRACT NO. 62R27				
ILLINOIS		FED. AID PROJECT		

MODEL: BL_Plotter_WA-1_481+00.00 (Sheet)
FILE NAME: p:\transystems\p\ba\dev\transystems\p\ba\dev\Documents\Projects_2018\C401\401180022\02-TransSystems\CA\0\05-3D\02-Container\STAGE 2\02-1TSC-CONTAINER_PS_ROWWAY_S2.P2.dgn

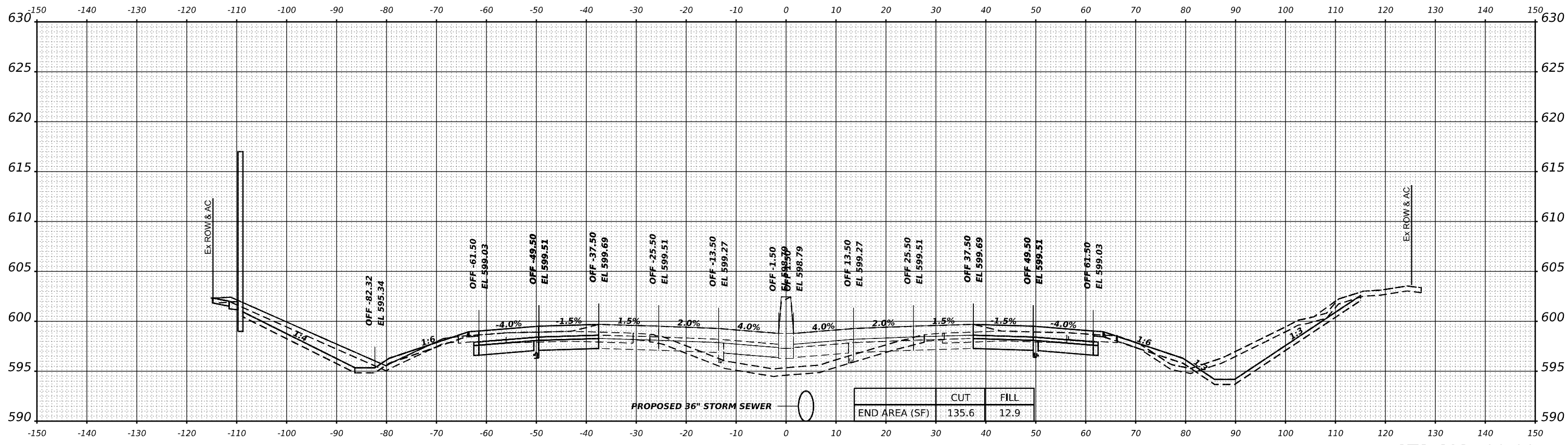
DATE	
BY	
SURVEYED	
PLOTTED	
TEMPLATE	
NOTE BOOK	
AREAS CHECKED	
NO.	



STA 484+00.00

	CUT	FILL
END AREA (SF)	151.5	15.3

DATE	
BY	
SURVEYED	
PLOTTED	
TEMPLATE	
NOTE BOOK	
AREAS CHECKED	
NO.	



STA 483+00.00

	CUT	FILL
END AREA (SF)	135.6	12.9

TRANSYSTEMS

USER NAME = amkluver	DESIGNED - VLJ	REVISED -
	DRAWN - MBM	REVISED -
PLOT SCALE = 0.16666633 1/ in.	CHECKED - JMG	REVISED -
PLOT DATE = 6/23/2023	DATE - 6/26/23	REVISED -

**STATE OF ILLINOIS
DEPARTMENT OF TRANSPORTATION**

**CROSS SECTIONS STAGE 2
I-80**

SCALE: 10:H 5:V SHEET 52 OF 83 SHEETS STA. 483+00.00 484+00.00

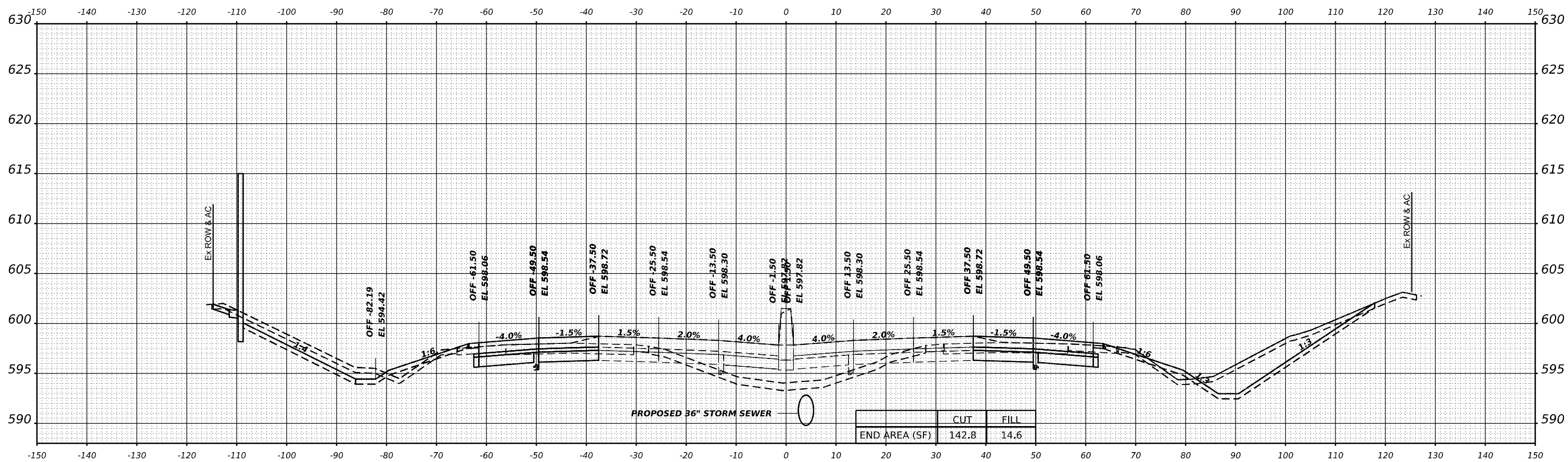
F.A.I. RTE.	SECTION	COUNTY	TOTAL SHEETS	SHEET NO.
I-80	FAI 80 21 STRUCTURE 6	WILL	898	822
			CONTRACT NO. 62R27	
		ILLINOIS	FED. AID PROJECT	

MODEL: BL_Pt_180_WA-1_483+00.00 (Sheet)
FILE NAME: p:\transystems\p\baibend\transystems\p\baibend\Documents\Projects\2018\C401\401180022\02-TransSystems\CAD\05-3D\02-Container\STAGE 2\IP2-D115C-CONTAINER_PS_ROADWAY_S2.P2.dgn

FINAL SURVEY NO.	SURVEYED	BY	DATE
NOTE BOOK	PLOTTED		
AREAS CHECKED	TEMPLATE		
	AREAS		
	CHECKED		

ORIGINAL SURVEY NO.	SURVEYED	BY	DATE
NOTE BOOK	PLOTTED		
AREAS CHECKED	TEMPLATE		
	AREAS		
	CHECKED		

MODEL: BL_P\I-80_WA1_485+00.00 [Sheet]
 FILE NAME: p:\transystems\p\2018\02\2022\02\TransSystems\CA\0\5\3D\02-Container\STAGE 2\IP2-0115C-CONTAINER_PS_ROADWAY_52.P2.dgn



USER NAME = amkluver	DESIGNED - VLJ	REVISED -
PLOT SCALE = 0.16666633 1/ in.	DRAWN - MBM	REVISED -
PLOT DATE = 6/23/2023	CHECKED - JMG	REVISED -
	DATE - 6/26/23	REVISED -

**STATE OF ILLINOIS
DEPARTMENT OF TRANSPORTATION**

CROSS SECTIONS STAGE 2		
I-80		
SCALE: 10:H 5:V	SHEET 53 OF 83 SHEETS	STA. 485+00.00

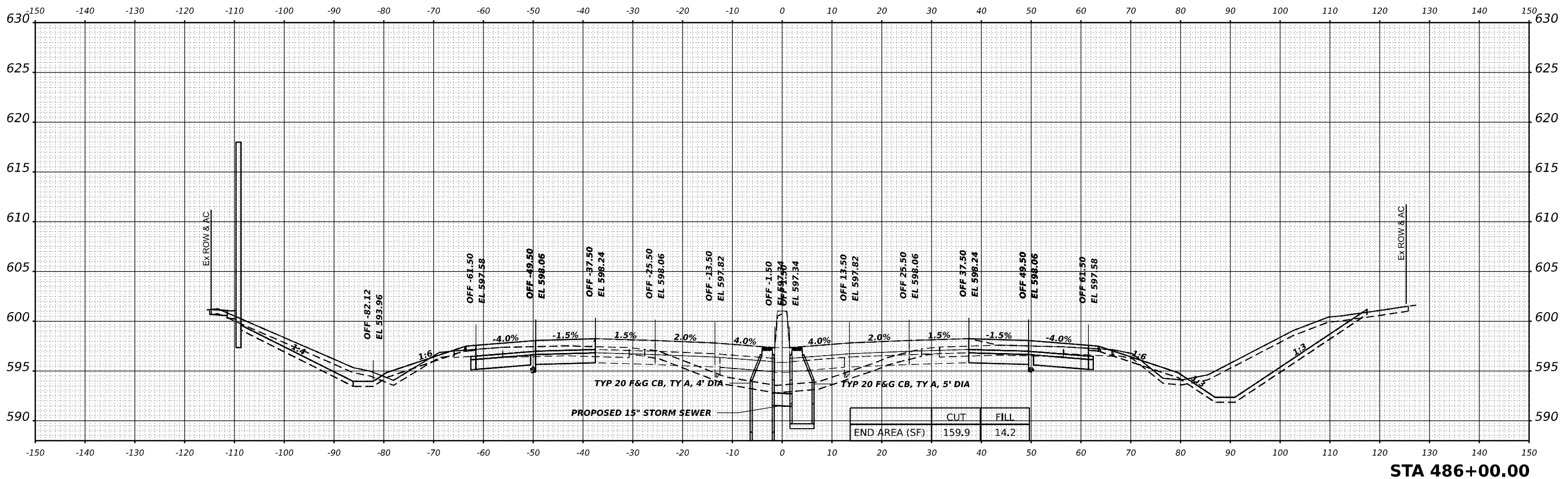
F.A.I. RTE.	SECTION	COUNTY	TOTAL SHEETS	SHEET NO.
I-80	FAI 80 21 STRUCTURE 6	WILL	898	823
CONTRACT NO. 62R27				
ILLINOIS FED. AID PROJECT				

STA 485+00.00

FINAL SURVEY NO.	
SURVEYED	
PLOTTED	
TEMPLATE	
AREAS CHECKED	
BY	
DATE	

ORIGINAL SURVEY NO.	
SURVEYED	
PLOTTED	
TEMPLATE	
AREAS CHECKED	
BY	
DATE	

MODEL: BLU_IBD_WA-1-IB84-00.00 [Sheet]
 FILE NAME: p:\work\transys\proj\ibid\dev\transys\containers\stage 2\ps\02-15-containers-PS-ROADWAY_52.p2.dgn



TRANSYSTEMS

USER NAME	= amkluver
DESIGNED	- VLJ
DRAWN	- MBM
CHECKED	- JMG
PLOT DATE	= 6/23/2023

REVISED	-
REVISED	-
REVISED	-
REVISED	-

**STATE OF ILLINOIS
DEPARTMENT OF TRANSPORTATION**

CROSS SECTIONS STAGE 2			
I-80			
SCALE: 10:H 5:V	SHEET 54	OF 83 SHEETS	STA. 486+00.00

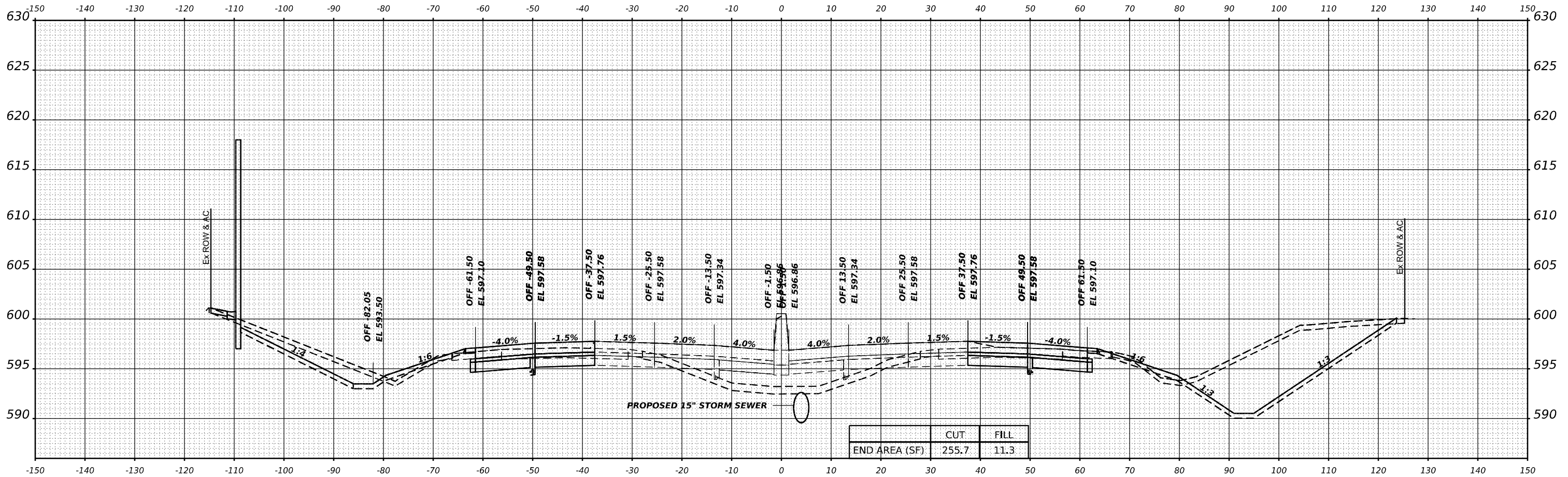
F.A.I. RTE.	SECTION	COUNTY	TOTAL SHEETS	SHEET NO.
I-80	FAI 80 21 STRUCTURE 6	WILL	898	824
CONTRACT NO. 62R27				
ILLINOIS				FED. AID PROJECT

STA 486+00.00

FINAL SURVEY	SURVEYED	DATE
NOTE BOOK	PLOTTED	
	TEMPLATE	
	AREAS	
	AREAS CHECKED	

ORIGINAL SURVEY	SURVEYED	DATE
NOTE BOOK	PLOTTED	
	TEMPLATE	
	AREAS	
	AREAS CHECKED	

MODEL: BL_P180_WA1 - 487+00.00 [Sheet]
 FILE NAME: p:\transystems\p180\dev\transystems\p180\docs\containers\stage 2\p2\0115sc-containers_P8_ROADWAY_S2.p2.dgn



	CUT	FILL
END AREA (SF)	255.7	11.3

STA 487+00.00



USER NAME = amkluvr	DESIGNED - VLJ	REVISED -
PLOT SCALE = 0.16666633 1/ in.	DRAWN - MBM	REVISED -
PLOT DATE = 6/23/2023	CHECKED - JMG	REVISED -
	DATE - 6/26/23	REVISED -

**STATE OF ILLINOIS
DEPARTMENT OF TRANSPORTATION**

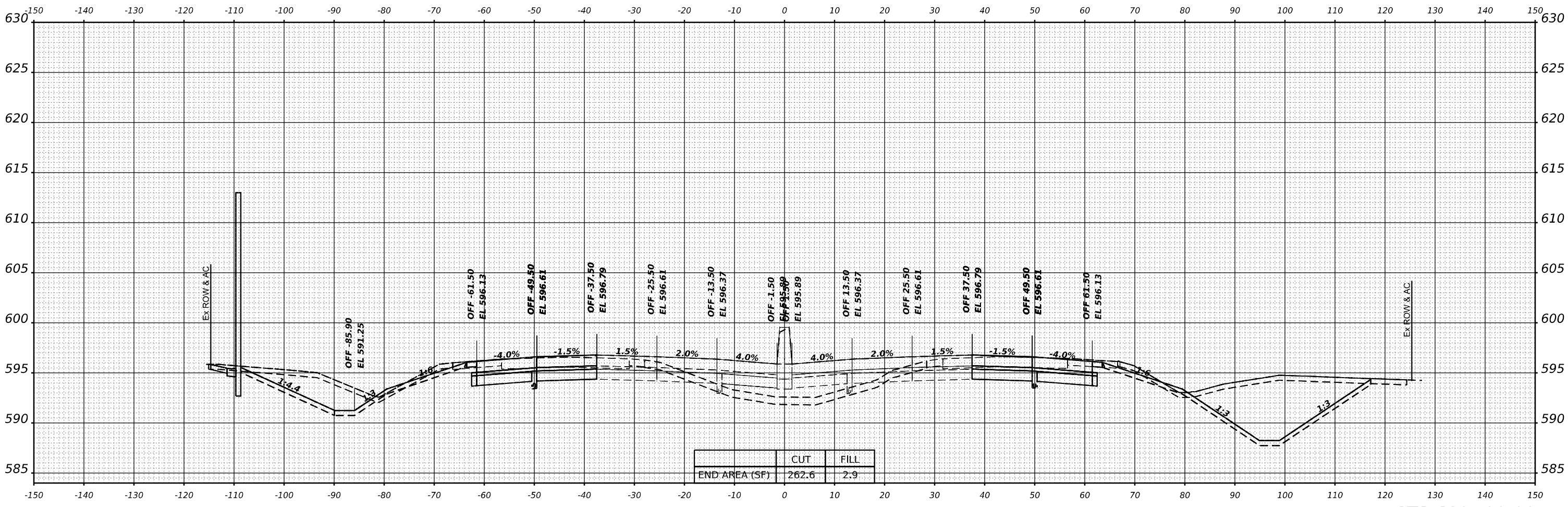
CROSS SECTIONS STAGE 2			
I-80			
SCALE: 10:H 5:V	SHEET 55	OF 83 SHEETS	STA. 487+00.00

F.A.I. RTE.	SECTION	COUNTY	TOTAL SHEETS	SHEET NO.
I-80	FAI 80 21 STRUCTURE 6	WILL	898	825
				CONTRACT NO. 62R27
ILLINOIS FED. AID PROJECT				

FINAL SURVEY	DATE
SURVEYED	BY
PLOTTED	
TEMPLATE	
AREAS	
CHECKED	
NO.	

ORIGINAL SURVEY	DATE
SURVEYED	BY
PLOTTED	
TEMPLATE	
AREAS	
CHECKED	
NO.	

MODEL: BL_P180_W4 - 489+00.00 [Sheet]
 FILE NAME: p:\transystems\p180\bindev\transystems\p180\bindev\Documents\Projects\2018\C4401\401.180022\02\Transystems\CA\03\02\02-Container\FAGE 2\F2-011SC-CONTAINER_P3_ROWWAY_S2.P2.dgn



STA 489+00.00



USER NAME	= amkluver
PLOT SCALE	= 0.16666633 1/ in.
PLOT DATE	= 6/23/2023

DESIGNED	- VJ
DRAWN	- MBM
CHECKED	- JMG
DATE	- 6/26/23

REVISED	-
REVISED	-
REVISED	-
REVISED	-

**STATE OF ILLINOIS
DEPARTMENT OF TRANSPORTATION**

CROSS SECTIONS STAGE 2			
I-80			
SCALE: 10:H 5:V	SHEET 57	OF 83 SHEETS	STA. 489+00.00

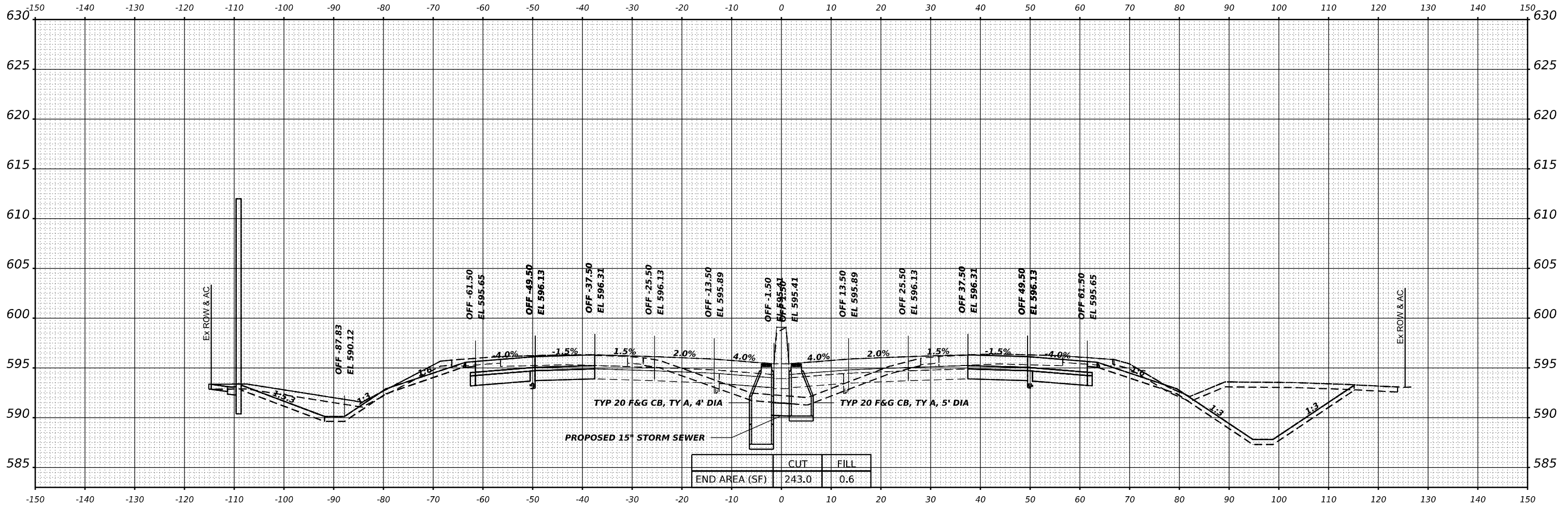
F.A.I. RTE.	SECTION	COUNTY	TOTAL SHEETS	SHEET NO.
I-80	FAI 80 21 STRUCTURE 6	WILL	898	827
CONTRACT NO. 62R27				

ILLINOIS FED. AID PROJECT

FINAL SURVEY	SURVEYED	BY	DATE
NOTE BOOK	PLOTTED		
NO.	TEMPLATE		
	AREAS		
	CHECKED		

ORIGINAL SURVEY	SURVEYED	BY	DATE
NOTE BOOK	PLOTTED		
NO.	TEMPLATE		
	AREAS		
	CHECKED		

MODEL: BL_RL_180_WA1 - 490+00.00 (Sheet)
 FILE NAME: p:\transystems\paw\ben\dev\transystems\paw\boxed\Documents\Projects\2018\C401\401.180022\02-TransSystems\CAD\05-SD\02-Container\STAGE 2\02-01TSC-CONTAINER_PS_ROADWAY_52-22.dgn



STA 490+00.00



USER NAME	= amkluver	DESIGNED -	VJ	REVISED -	
DRAWN -	MBM	REVISIONS		REVISIONS	
CHECKED -	JMG	DATE	6/26/23	REVISED -	
PLOT DATE	6/23/2023				

**STATE OF ILLINOIS
DEPARTMENT OF TRANSPORTATION**

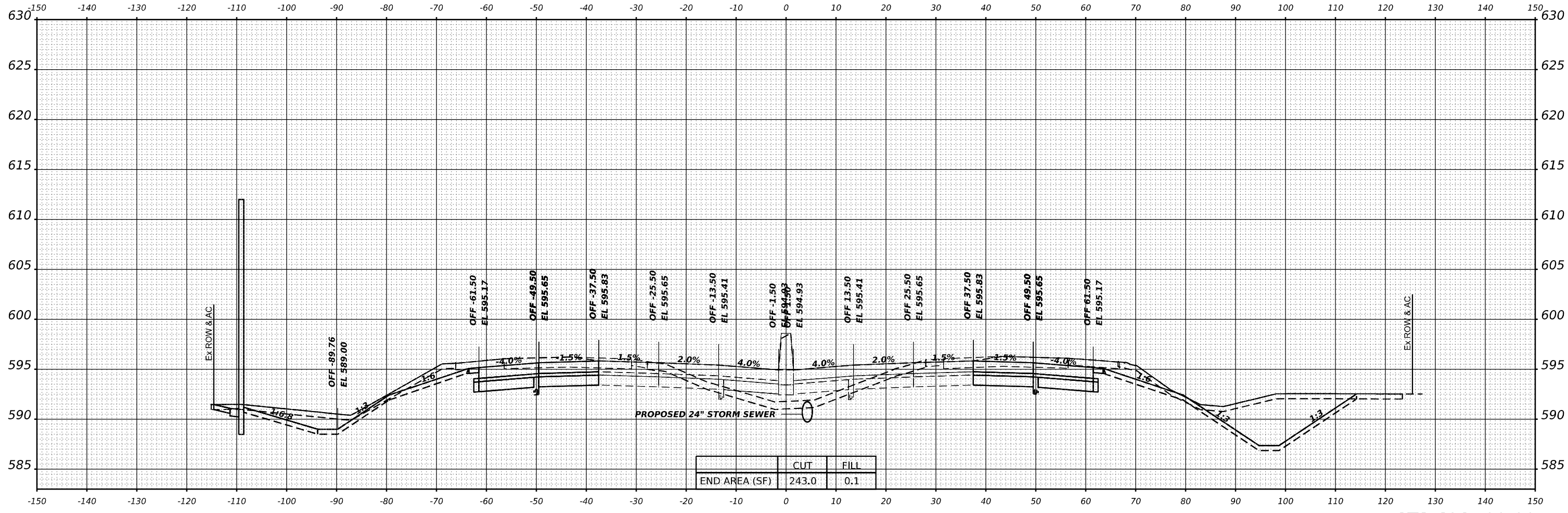
CROSS SECTIONS STAGE 2			
I-80			
SCALE: 10:H 5:V	SHEET 58	OF 83 SHEETS	STA. 490+00.00

F.A.I. RTE.	SECTION	COUNTY	TOTAL SHEETS	SHEET NO.
I-80	FAI 80 21 STRUCTURE 6	WILL	898	828
CONTRACT NO. 62R27				
ILLINOIS FED. AID PROJECT				

FINAL SURVEY	SURVEYED	BY	DATE
NOTE BOOK	PLOTTED		
NO.	TEMPLATE		
	AREAS CHECKED		

ORIGINAL SURVEY	SURVEYED	BY	DATE
NOTE BOOK	PLOTTED		
NO.	TEMPLATE		
	AREAS CHECKED		

MODEL: BL_RL_I80_W_491+00.00 (Sheet)
 FILE NAME: p:\transystems\p\roadway\dev\transystems\roadway\Documents\Projects\2018\C401\401.180022\02-TransSystems\CAD\05-SD\02-Container\STAGE 2\02-011SC-CONTAINER_PS_ROADWAY_52.PS.dgn



STA 491+00.00

TRANSYSTEMS

USER NAME = amkluver
 DESIGNED - VLJ
 DRAWN - MBM
 CHECKED - JMG
 DATE - 6/26/23
 PLOT SCALE = 0.16666633 1/ in.
 PLOT DATE = 6/23/2023

REVISED -
 REVISED -
 REVISED -
 REVISED -

**STATE OF ILLINOIS
 DEPARTMENT OF TRANSPORTATION**

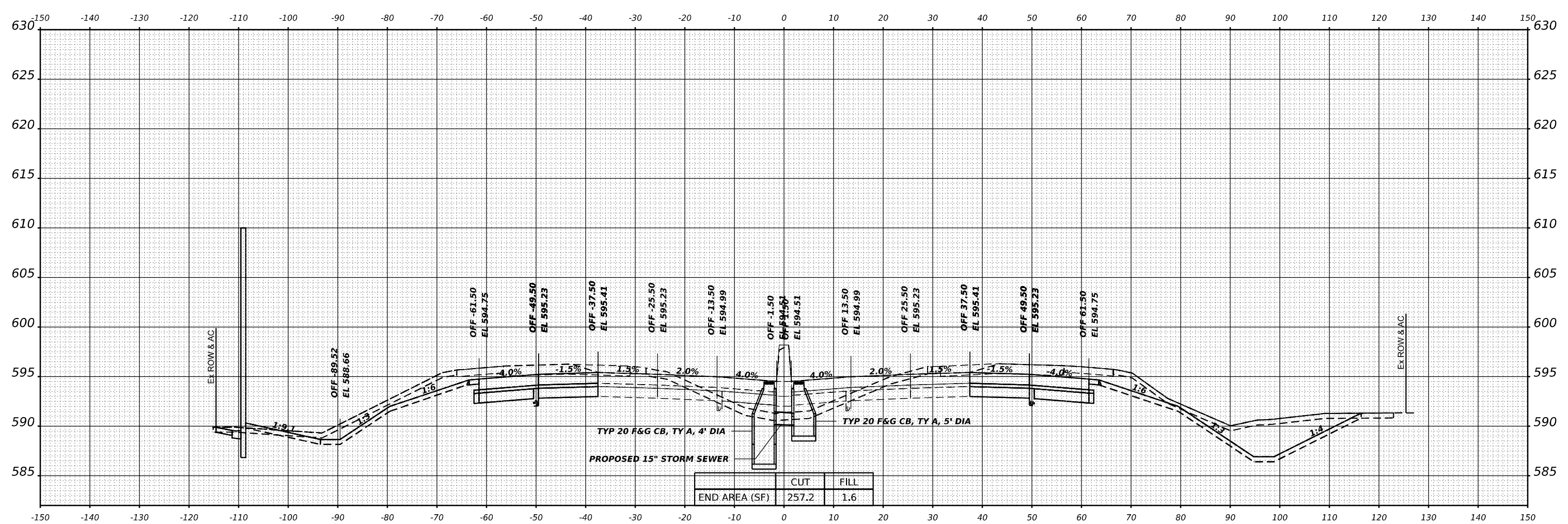
**CROSS SECTIONS STAGE 2
 I-80**
 SCALE: 10:H 5:V SHEET 59 OF 83 SHEETS STA. 491+00.00

F.A.I. RTE.	SECTION	COUNTY	TOTAL SHEETS	SHEET NO.
I-80	FAI 80 21 STRUCTURE 6	WILL	898	829
CONTRACT NO. 62R27				
		ILLINOIS	FED. AID PROJECT	

FINAL SURVEY NO.	SURVEYED	BY	DATE
	PLOTTED		
	TEMPLATE		
	AREAS		
	CHECKED		

ORIGINAL SURVEY NO.	SURVEYED	BY	DATE
	PLOTTED		
	TEMPLATE		
	AREAS		
	CHECKED		

MODEL: BL_RL_80_W - 492+00.00 (Sheet)
 FILE NAME: p:\transystems\p\zaberd\dev\transystems\p\zaberd\Documents\Projects\2018\CH401\401\80022\02\TransSystems\CA\0\5-3D\02-Container\STAGE 2\PS-01\TSC-CONTAINER_PS_ROADWAY_52.PS.dgn



STA 492+00.00



USER NAME = amkluver	DESIGNED - VLJ	REVISED -
PLOT SCALE = 0.16666633 1/ in.	DRAWN - MBM	REVISED -
PLOT DATE = 6/23/2023	CHECKED - JMG	REVISED -
	DATE - 6/26/23	REVISED -

**STATE OF ILLINOIS
 DEPARTMENT OF TRANSPORTATION**

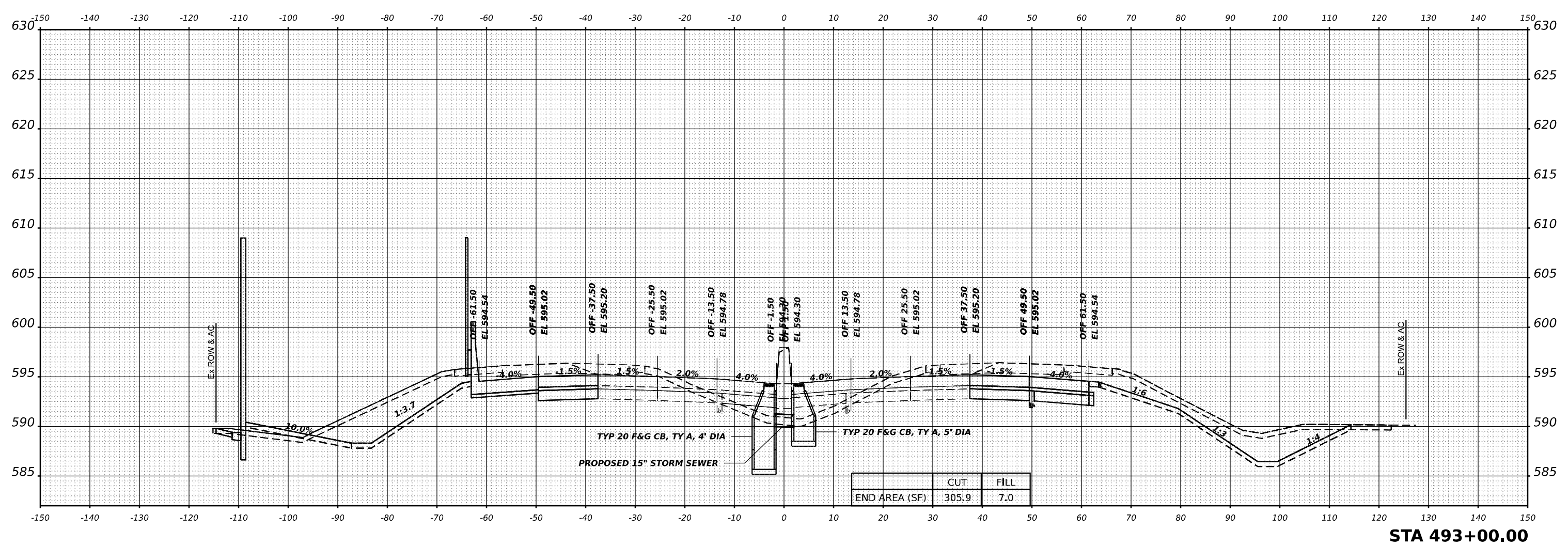
**CROSS SECTIONS STAGE 2
 I-80**
 SCALE: 10:H 5:V SHEET 60 OF 83 SHEETS STA. 492+00.00

F.A.I. RTE.	SECTION	COUNTY	TOTAL SHEETS	SHEET NO.
I-80	FAI 80 21 STRUCTURE 6	WILL	898	830
CONTRACT NO. 62R27				
ILLINOIS FED. AID PROJECT				

FINAL SURVEY NO.	SURVEYED	DATE
NOTE BOOK	PLOTTED	
	TEMPLATE	
	AREAS	
	CHECKED	

ORIGINAL SURVEY NO.	SURVEYED	DATE
NOTE BOOK	PLOTTED	
	TEMPLATE	
	AREAS	
	CHECKED	

MODEL: BL_RL_80_W_493+00.00 (Sheet)
 FILE NAME: p:\transystems\p\z\dev\transystems\p\z\dev\Documents\Projects\2018\CH401\401\80022\02\TransSystems\CA\0\5-D\02-Container\STAGE 2\PP-011SC-CONTAINER_PP_ROWWAY_52-PP.dgn



USER NAME = amkluver	DESIGNED - VLJ	REVISED -
PLOT SCALE = 0.16666633 1/ in.	DRAWN - MBM	REVISED -
PLOT DATE = 7/27/2023	CHECKED - JMG	REVISED -
	DATE - 6/26/23	REVISED -

**STATE OF ILLINOIS
DEPARTMENT OF TRANSPORTATION**

CROSS SECTIONS STAGE 2		
I-80		
SCALE: 10:H 5:V	SHEET 61 OF 83 SHEETS	STA. 493+00.00

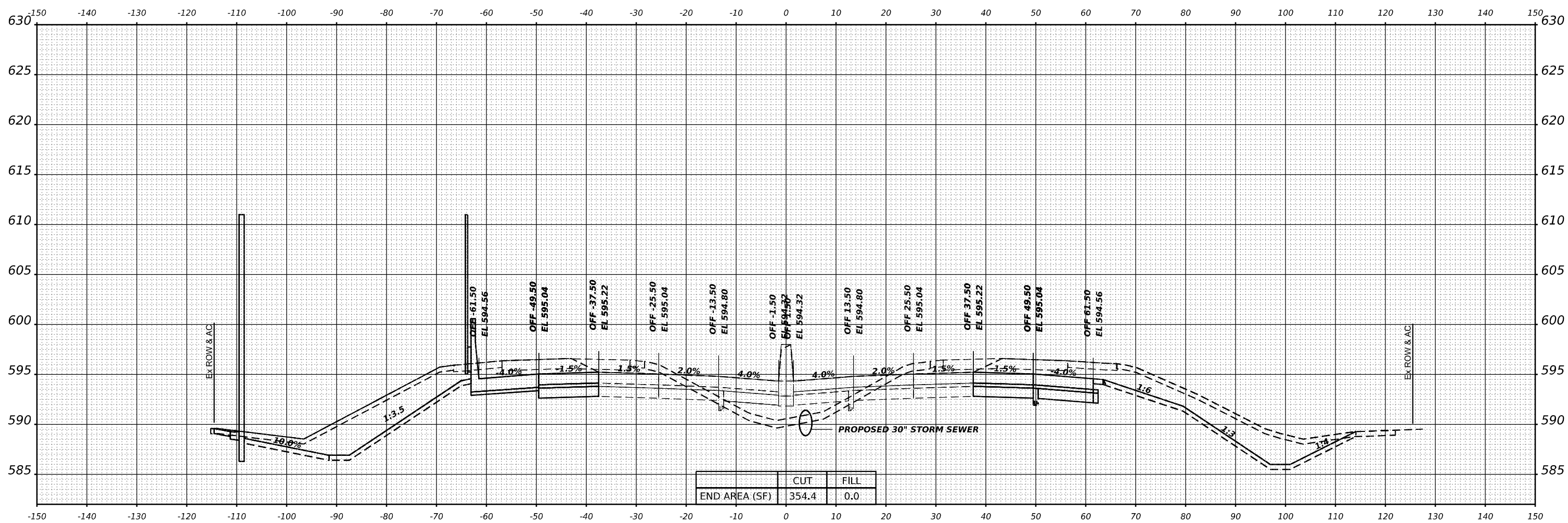
F.A.I. RTE.	SECTION	COUNTY	TOTAL SHEETS	SHEET NO.
I-80	FAI 80 21 STRUCTURE 6	WILL	898	831
CONTRACT NO. 62R27				
ILLINOIS FED. AID PROJECT				

STA 493+00.00

FINAL SURVEY NO.	SURVEYED	BY	DATE
	PLOTTED		
	TEMPLATE		
	AREAS CHECKED		

ORIGINAL SURVEY NO.	SURVEYED	BY	DATE
	PLOTTED		
	TEMPLATE		
	AREAS CHECKED		

MODEL: BL_RL_I80_W_494+00.00 (Sheet)
 FILE NAME: p:\transystems\p\zaberd\dev\transystems\p\zaberd\Documents\Projects\2018\CH401\401.180022\02-TransSystems\CA\0\05-3D\02-Container\STAGE 2\PP-01TSC-CONTAINER_PP_ROWWAY_52-PP.dgn



STA 494+00.00



USER NAME = amkluver	DESIGNED - VLJ	REVISED -
PLOT SCALE = 0.16666633 1/ in.	DRAWN - MBM	REVISED -
PLOT DATE = 7/27/2023	CHECKED - JMG	REVISED -
	DATE - 6/26/23	REVISED -

**STATE OF ILLINOIS
DEPARTMENT OF TRANSPORTATION**

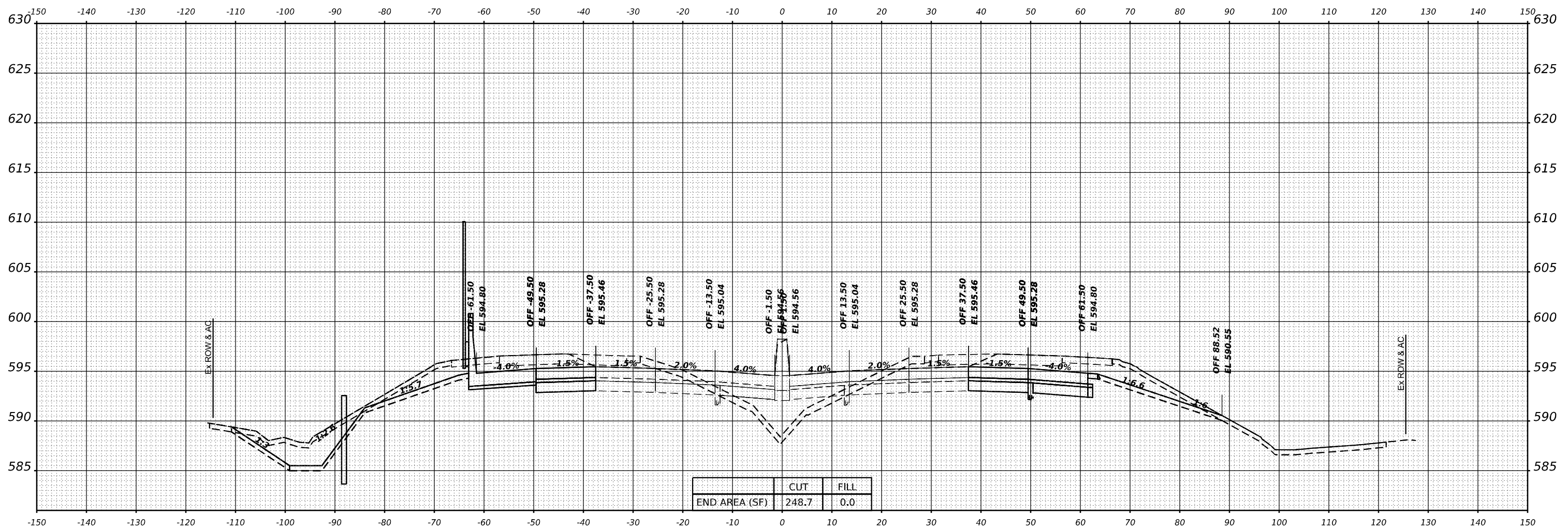
CROSS SECTIONS STAGE 2			
I-80			
SCALE: 10:H 5:V	SHEET 62	OF 83 SHEETS	STA. 494+00.00

F.A.I. RTE.	SECTION	COUNTY	TOTAL SHEETS	SHEET NO.
I-80	FAI 80 21 STRUCTURE 6	WILL	898	832
CONTRACT NO. 62R27				
ILLINOIS FED. AID PROJECT				

FINAL SURVEY NO.	SURVEYED	BY	DATE
	PLOTTED		
	TEMPLATE		
	AREAS		
	CHECKED		

ORIGINAL SURVEY NO.	SURVEYED	BY	DATE
	PLOTTED		
	TEMPLATE		
	AREAS		
	CHECKED		

MODEL: BL_P1_80_W_495+00.00 (Sheet)
 FILE NAME: p:\transystems\p1_80\dev\transystems\p1_80\Documents\Projects\2018\CH401\401.80022\02-TransSystems\CA\0\5\3D\02-Container\STAGE 2\PP-011\SC-CONTAINER_PP_ROADWAY_S2-PP.dgn



STA 495+00.00

TRANSYSTEMS

USER NAME = amkluver	DESIGNED - VLJ	REVISED -
PLOT SCALE = 0.16666633 1/ in.	DRAWN - MBM	REVISED -
PLOT DATE = 7/27/2023	CHECKED - JMG	REVISED -
	DATE - 6/26/23	REVISED -

**STATE OF ILLINOIS
 DEPARTMENT OF TRANSPORTATION**

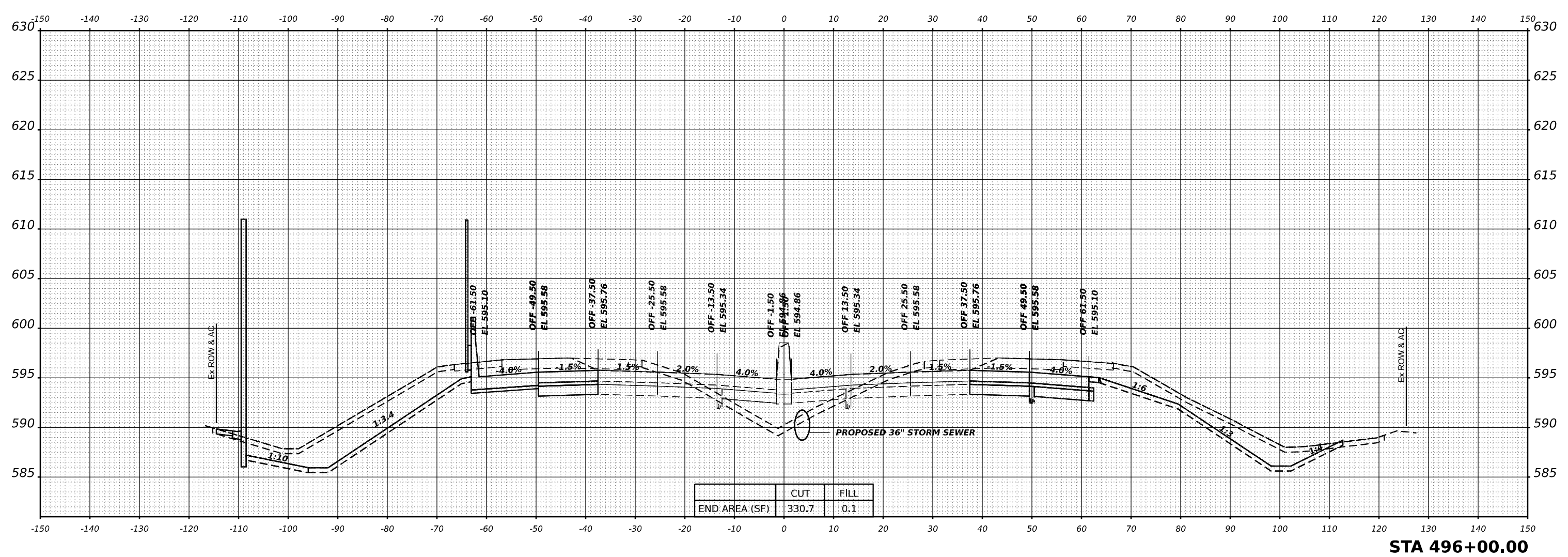
CROSS SECTIONS STAGE 2			
I-80			
SCALE: 10:H 5:V	SHEET 63	OF 83 SHEETS	STA. 495+00.00

F.A.I. RTE.	SECTION	COUNTY	TOTAL SHEETS	SHEET NO.
I-80	FAI 80 21 STRUCTURE 6	WILL	898	833
				CONTRACT NO. 62R27
		ILLINOIS	FED. AID PROJECT	

FINAL SURVEY NO.	SURVEYED	DATE
NOTE BOOK	PLOTTED	
	TEMPLATE	
	AREAS	
	CHECKED	

ORIGINAL SURVEY NO.	SURVEYED	DATE
NOTE BOOK	PLOTTED	
	TEMPLATE	
	AREAS	
	CHECKED	

MODEL: BL_RL_80_W - 496+00.00 (Sheet)
 FILE NAME: p:\transystems\p\z\dev\transystems\p\z\dev\Documents\Projects\2018\CH401\401.80022\02-TransSystems\CA\0\5-D\02-Container\STAGE 2\PS-D11-SC-CONTAINER_PS_ROADWAY_52-PS.dgn



STA 496+00.00



USER NAME = amkluver	DESIGNED - VLJ	REVISED -
	DRAWN - MBM	REVISED -
PLOT SCALE = 0.16666633 1/ in.	CHECKED - JMG	REVISED -
PLOT DATE = 7/27/2023	DATE - 6/26/23	REVISED -

**STATE OF ILLINOIS
DEPARTMENT OF TRANSPORTATION**

**CROSS SECTIONS STAGE 2
I-80**

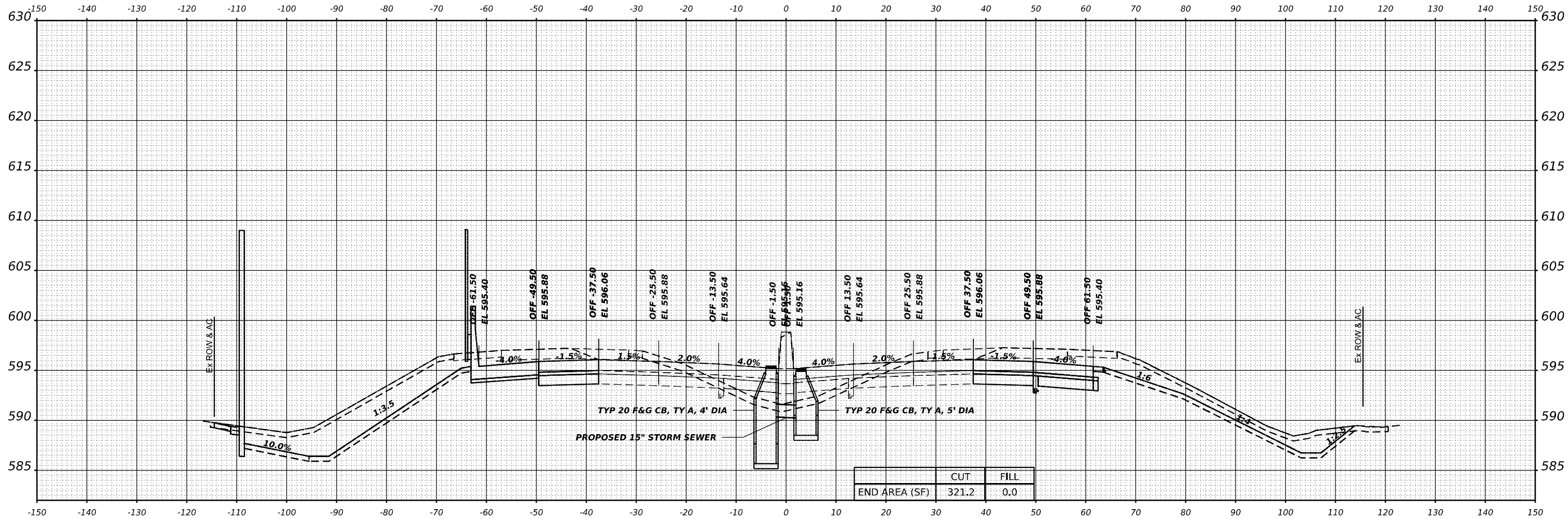
SCALE: 10:H 5:V SHEET 64 OF 83 SHEETS STA. 496+00.00

F.A.I. RTE.	SECTION	COUNTY	TOTAL SHEETS	SHEET NO.
I-80	FAI 80 21 STRUCTURE 6	WILL	898	834
				CONTRACT NO. 62R27
				ILLINOIS FED. AID PROJECT

FINAL SURVEY NO.	SURVEYED	DATE
NOTE BOOK	PLOTTED	
	TEMPLATE	
	AREAS	
	CHECKED	

ORIGINAL SURVEY NO.	SURVEYED	DATE
NOTE BOOK	PLOTTED	
	TEMPLATE	
	AREAS	
	CHECKED	

MODEL: BL_RL_80_W - 497+00.00 (Sheet)
 FILE NAME: p:\transystems\p\z\dev\transystems\p\z\dev\Documents\Projects\2018\CH401\401.180022\02-TransSystems\CA\0\05-SD\02-Container\STAGE 2\PP-011SC-CONTAINER_PP_ROWWAY_52-PP.dgn



	CUT	FILL
END AREA (SF)	321.2	0.0

STA 497+00.00



USER NAME	= amkluver
DESIGNED	- VLJ
DRAWN	- MBM
CHECKED	- JMG
DATE	- 6/26/23
PLOT SCALE	= 0.16666633 1/ in.
PLOT DATE	= 7/27/2023

DESIGNED	- VLJ	REVISED	-
DRAWN	- MBM	REVISED	-
CHECKED	- JMG	REVISED	-
DATE	- 6/26/23	REVISED	-

**STATE OF ILLINOIS
DEPARTMENT OF TRANSPORTATION**

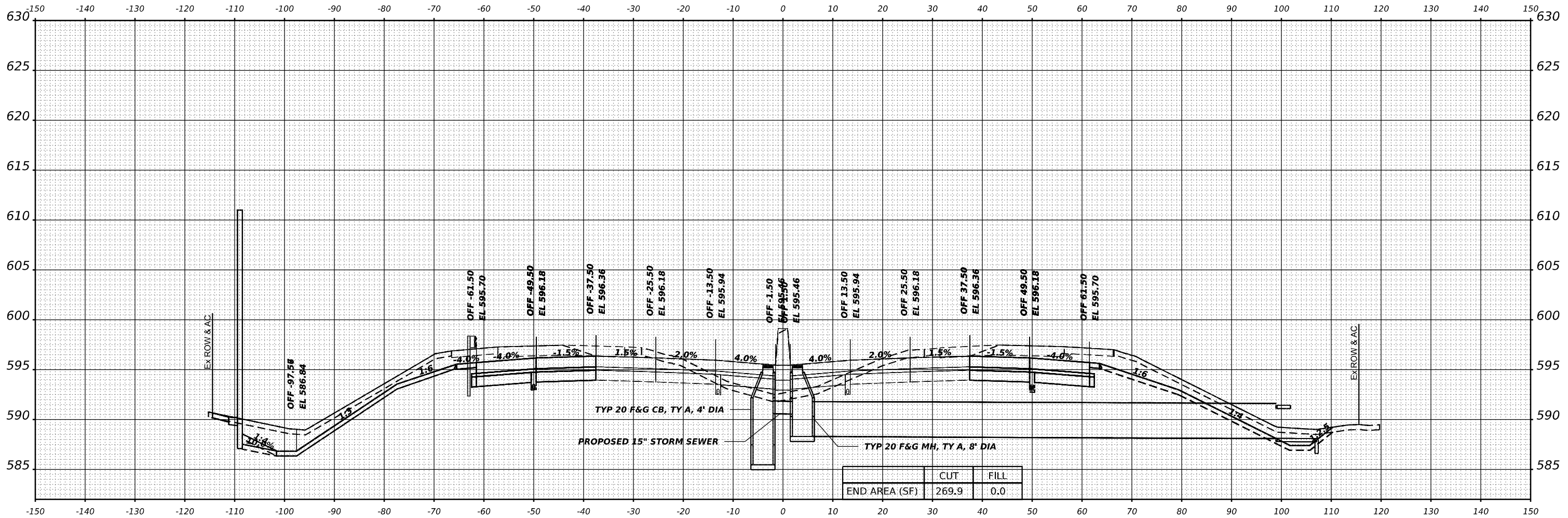
CROSS SECTIONS STAGE 2			
I-80			
SCALE: 10:H 5:V	SHEET 65	OF 83 SHEETS	STA. 497+00.00

F.A.I. RTE.	SECTION	COUNTY	TOTAL SHEETS	SHEET NO.
I-80	FAI 80 21 STRUCTURE 6	WILL	898	835
				CONTRACT NO. 62R27
				ILLINOIS FED. AID PROJECT

FINAL SURVEY NO.	SURVEYED	BY	DATE
NOTE BOOK	PLOTTED		
	TEMPLATE		
	AREAS		
	CHECKED		

ORIGINAL SURVEY NO.	SURVEYED	BY	DATE
NOTE BOOK	PLOTTED		
	TEMPLATE		
	AREAS		
	CHECKED		

MODEL: BL_P1_80_W_498+00.00 (Sheet)
 FILE NAME: p:\transystems\p1_80\dev\transystems\p1_80\stage2\stage2\stage2-Container\PS-ROADWAY_52.P1.dgn



STA 498+00.00

TRANSYSTEMS

USER NAME = amkluvr	DESIGNED - VLJ	REVISED -
	DRAWN - MBM	REVISED -
PLOT SCALE = 0.16666633 1/16"	CHECKED - JMG	REVISED -
PLOT DATE = 6/23/2023	DATE - 6/26/23	REVISED -

**STATE OF ILLINOIS
DEPARTMENT OF TRANSPORTATION**

**CROSS SECTIONS STAGE 2
I-80**

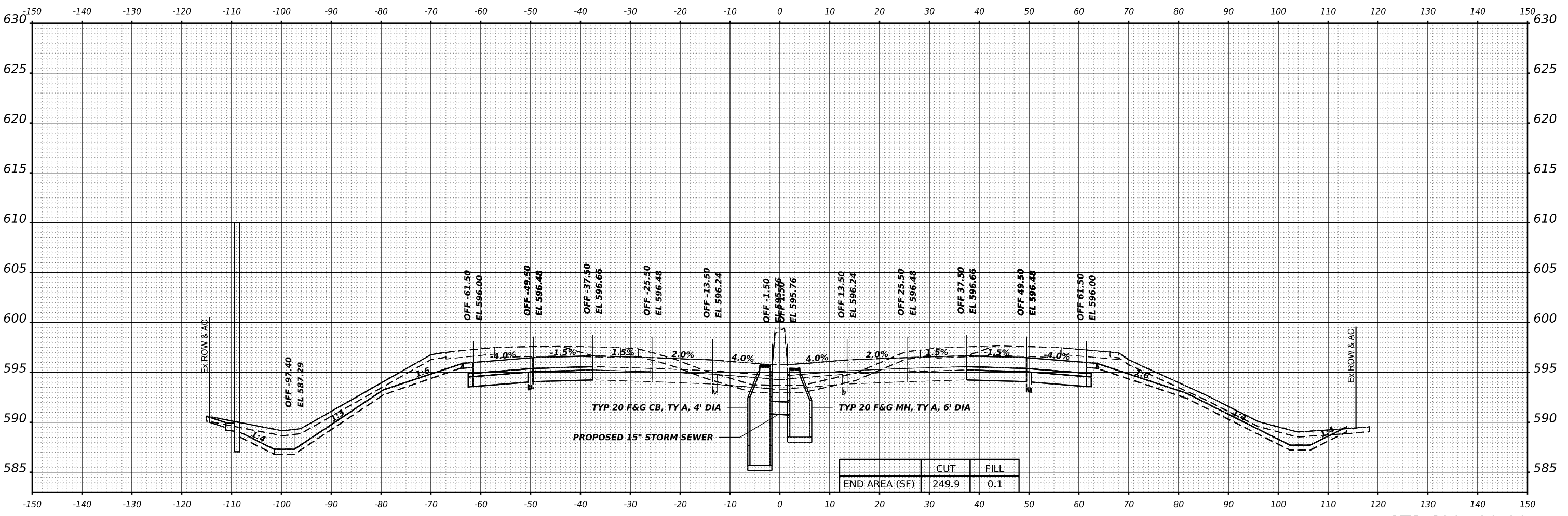
SCALE: 10:H 5:V SHEET 66 OF 83 SHEETS STA. 498+00.00

F.A.I. RTE.	SECTION	COUNTY	TOTAL SHEETS	SHEET NO.
I-80	FAI 80 21 STRUCTURE 6	WILL	898	836
				CONTRACT NO. 62R27
				ILLINOIS FED. AID PROJECT

FINAL SURVEY	SURVEYED	BY	DATE
NOTE BOOK	PLOTTED		
NO.	TEMPLATE		
	AREAS CHECKED		

ORIGINAL SURVEY	SURVEYED	BY	DATE
NOTE BOOK	PLOTTED		
NO.	TEMPLATE		
	AREAS CHECKED		

MODEL: BL_RL_I80_W - 499 + 00.00 (Sheet)
 FILE NAME: p:\transystems\paw\dev\transystems\paw\boxed\Documents\Projects\2018\C4401\401.80022\02-TransSystems\CAD\05-SD\02-Container\STAGE 2\PS-D11-SC-CONTAINER_PS_ROADWAY_S2.PS.dgn



STA 499+00.00

TRANSYSTEMS

USER NAME = amkluver	DESIGNED - VLJ	REVISED -
	DRAWN - MBM	REVISED -
PLOT SCALE = 0.16666633 1/ in.	CHECKED - JMG	REVISED -
PLOT DATE = 6/23/2023	DATE - 6/26/23	REVISED -

**STATE OF ILLINOIS
DEPARTMENT OF TRANSPORTATION**

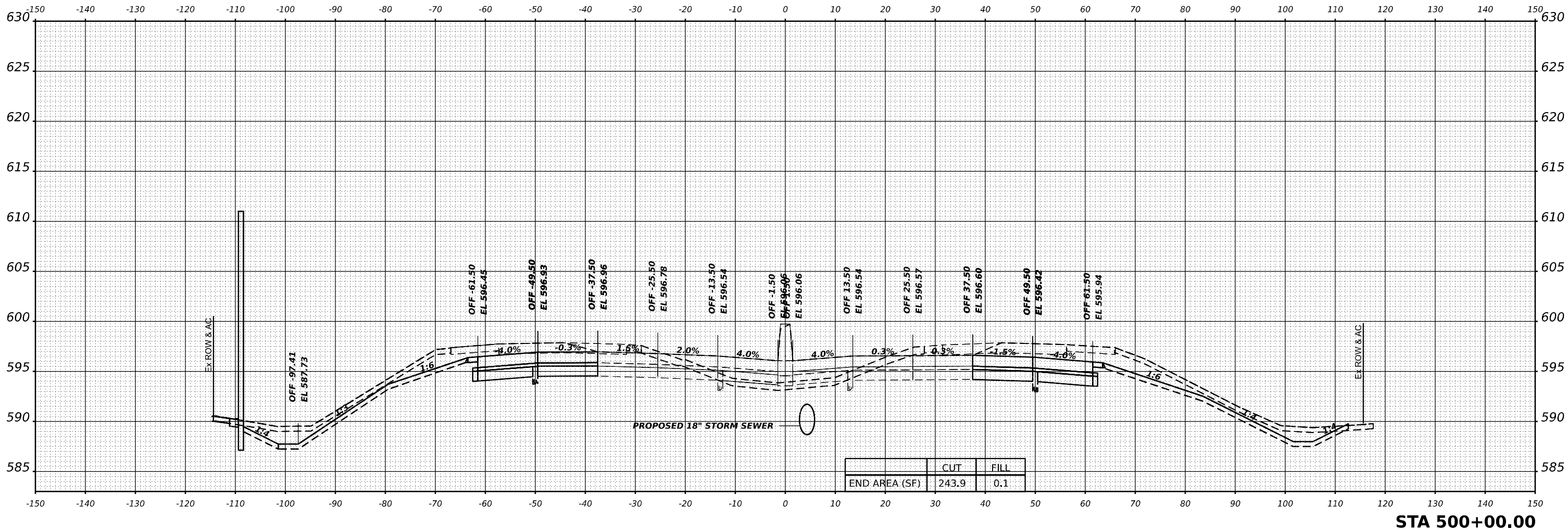
CROSS SECTIONS STAGE 2		
I-80		
SCALE: 10:H 5:V	SHEET 67	OF 83 SHEETS
		STA. 499+00.00

F.A.I. RTE.	SECTION	COUNTY	TOTAL SHEETS	SHEET NO.
I-80	FAI 80 21 STRUCTURE 6	WILL	898	837
CONTRACT NO. 62R27				
ILLINOIS FED. AID PROJECT				

FINAL SURVEY	SURVEYED	BY	DATE
NOTE BOOK	PLOTTED		
NO.	TEMPLATE		
	AREAS CHECKED		

ORIGINAL SURVEY	SURVEYED	BY	DATE
NOTE BOOK	PLOTTED		
NO.	TEMPLATE		
	AREAS CHECKED		

MODEL: BL_P180_W - 500+00.00 (Sheet)
 FILE NAME: p:\transystems\p180\dev\transystems\p180\p180\2022\02-TransSystems\CA\05-SD\02-Container\STAGE 2\02-011-SC-CONTAINER_P180\ROADWAY_S2.P180.dgn



USER NAME = amkluver	DESIGNED - VLJ	REVISED -
PLOT SCALE = 0.16666633 1/ in.	DRAWN - MBM	REVISED -
PLOT DATE = 6/23/2023	CHECKED - JMG	REVISED -
	DATE - 6/26/23	REVISED -

**STATE OF ILLINOIS
DEPARTMENT OF TRANSPORTATION**

**CROSS SECTIONS STAGE 2
I-80**

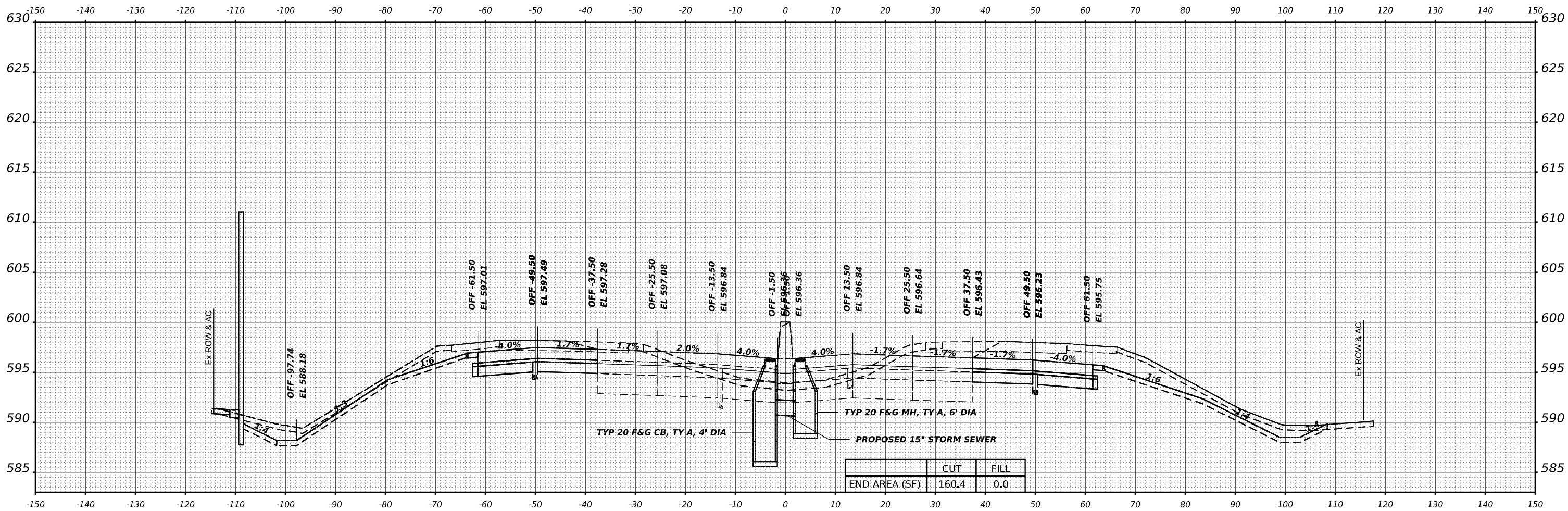
SCALE: 10:H 5:V SHEET 68 OF 83 SHEETS STA. 500+00.00

F.A.I. RTE.	SECTION	COUNTY	TOTAL SHEETS	SHEET NO.
I-80	FAI 80 21 STRUCTURE 6	WILL	898	838
CONTRACT NO. 62R27				
ILLINOIS FED. AID PROJECT				

FINAL SURVEY	SURVEYED	BY	DATE
NOTE BOOK	PLOTTED		
NO.	TEMPLATE		
	AREAS		
	CHECKED		

ORIGINAL SURVEY	SURVEYED	BY	DATE
NOTE BOOK	PLOTTED		
NO.	TEMPLATE		
	AREAS		
	CHECKED		

MODEL: BL_P180_W - 501+00.00 (Sheet)
 FILE NAME: p:\transystems\p180\dev\transystems\p180\p180\Documents\Projects\2018\C401\401\80022\02-TransSystems\CAD\05-SD\02-Container\STAGE 2\02-011-SC-CONTAINER_P180_ROWAY_52.P180.dgn



STA 501+00.00



USER NAME	= amkluver
DESIGNED	- VLJ
DRAWN	- MBM
CHECKED	- JMG
DATE	- 6/26/23
PLOT SCALE	= 0.16666633 1/ in.
PLOT DATE	= 6/23/2023

REVISED	-
REVISED	-
REVISED	-
REVISED	-

**STATE OF ILLINOIS
DEPARTMENT OF TRANSPORTATION**

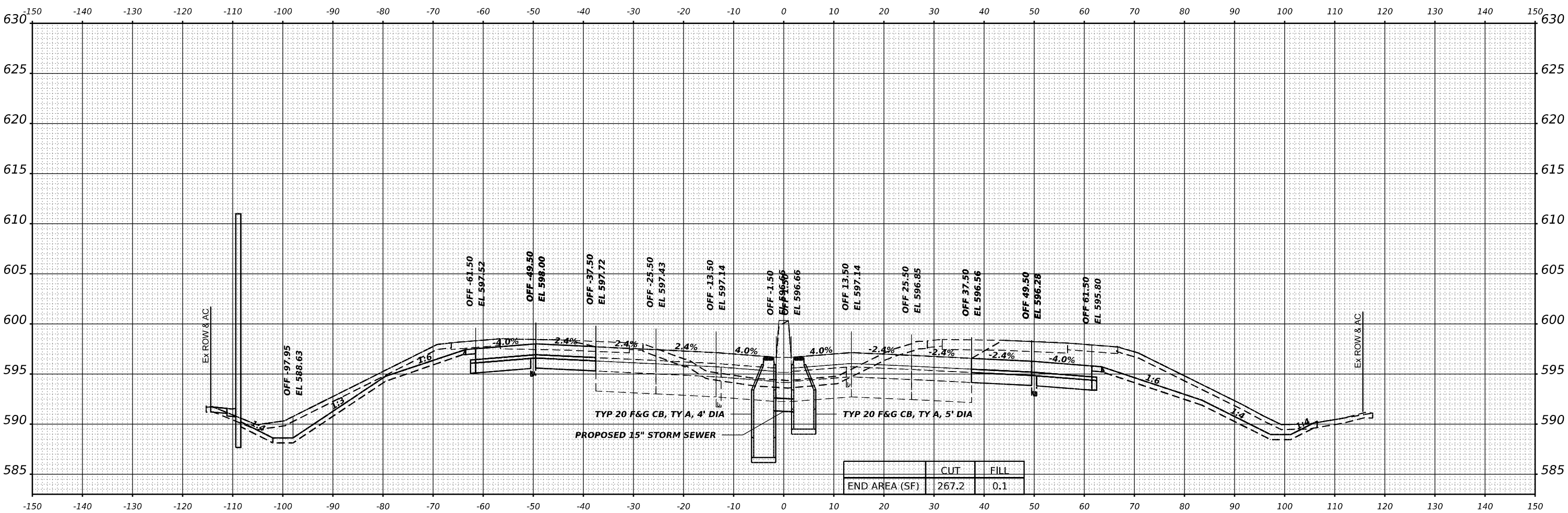
CROSS SECTIONS STAGE 2			
I-80			
SCALE: 10:H 5:V	SHEET 69	OF 83 SHEETS	STA. 501+00.00

F.A.I. RTE.	SECTION	COUNTY	TOTAL SHEETS	SHEET NO.
I-80	FAI 80 21 STRUCTURE 6	WILL	898	839
CONTRACT NO. 62R27				
ILLINOIS				FED. AID PROJECT

FINAL SURVEY	SURVEYED	DATE
NOTE BOOK	PLOTTED	
NO.	TEMPLATE	
	AREAS CHECKED	

ORIGINAL SURVEY	SURVEYED	DATE
NOTE BOOK	PLOTTED	
NO.	TEMPLATE	
	AREAS CHECKED	

MODEL: BL_RL_I80_W - 502+00.00 (Sheet)
 FILE NAME: p:\transystems\p\road\dev\transystems\road\p\road\documents\projects\2018\C401\401.80022\02-TransSystems\CAD\05-SD\02-Container\STAGE 2\02-011-SC-CONTAINER_PS_ROADWAY_52.PS.dgn



STA 502+00.00



USER NAME	= amkluver
DESIGNED	- VLJ
DRAWN	- MBM
CHECKED	- JMG
PLOT DATE	= 6/23/2023

REVISED	-
REVISED	-
REVISED	-
REVISED	-

STATE OF ILLINOIS
 DEPARTMENT OF TRANSPORTATION

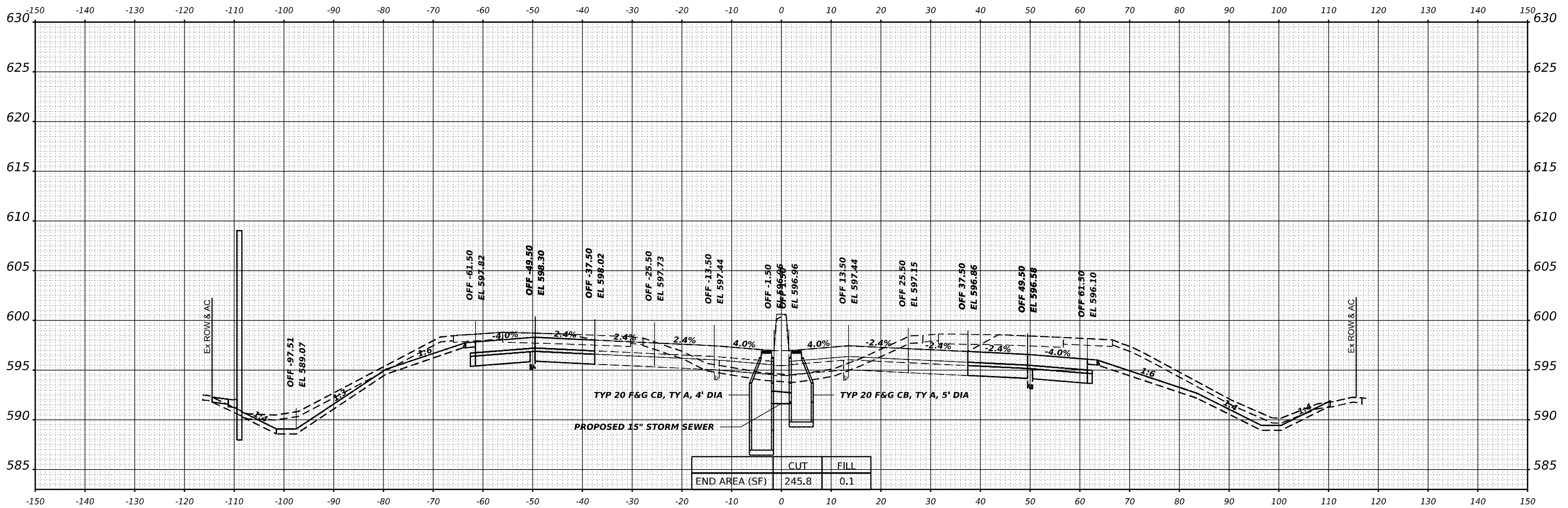
CROSS SECTIONS STAGE 2			
I-80			
SCALE: 10:H 5:V	SHEET 70	OF 83 SHEETS	STA. 502+00.00

F.A.I. RTE.	SECTION	COUNTY	TOTAL SHEETS	SHEET NO.
I-80	FAI 80 21 STRUCTURE 6	WILL	898	840
				CONTRACT NO. 62R27
				ILLINOIS FED. AID PROJECT

FINAL SURVEY	SURVEYED	BY	DATE
NOTE BOOK	PLOTTED		
NO.	TEMPLATE		
	AREAS		
	CHECKED		

ORIGINAL SURVEY	SURVEYED	BY	DATE
NOTE BOOK	PLOTTED		
NO.	TEMPLATE		
	AREAS		
	CHECKED		

MODEL: BL_RL_I80_W - 503+00.00 (Sheet)
 FILE NAME: p:\transystems\p\dev\transystems\p\p\staged\documents\projects\2018\C401\401.18022\02-TransSystems\CAD\05-SD\02-Container\STAGE 2\02-D11-SC-CONTAINER_PS_ROADWAY_52.PS.dgn



TRANSYSTEMS

USER NAME = amkluver	DESIGNED - VLJ	REVISED -
PLOT SCALE = 0.16666633 1/ in.	DRAWN - MBM	REVISED -
PLOT DATE = 6/23/2023	CHECKED - JMG	REVISED -
	DATE - 6/26/23	REVISED -

**STATE OF ILLINOIS
 DEPARTMENT OF TRANSPORTATION**

**CROSS SECTIONS STAGE 2
 I-80**

SCALE: 10:H 5:V SHEET 71 OF 83 SHEETS STA. 503+00.00

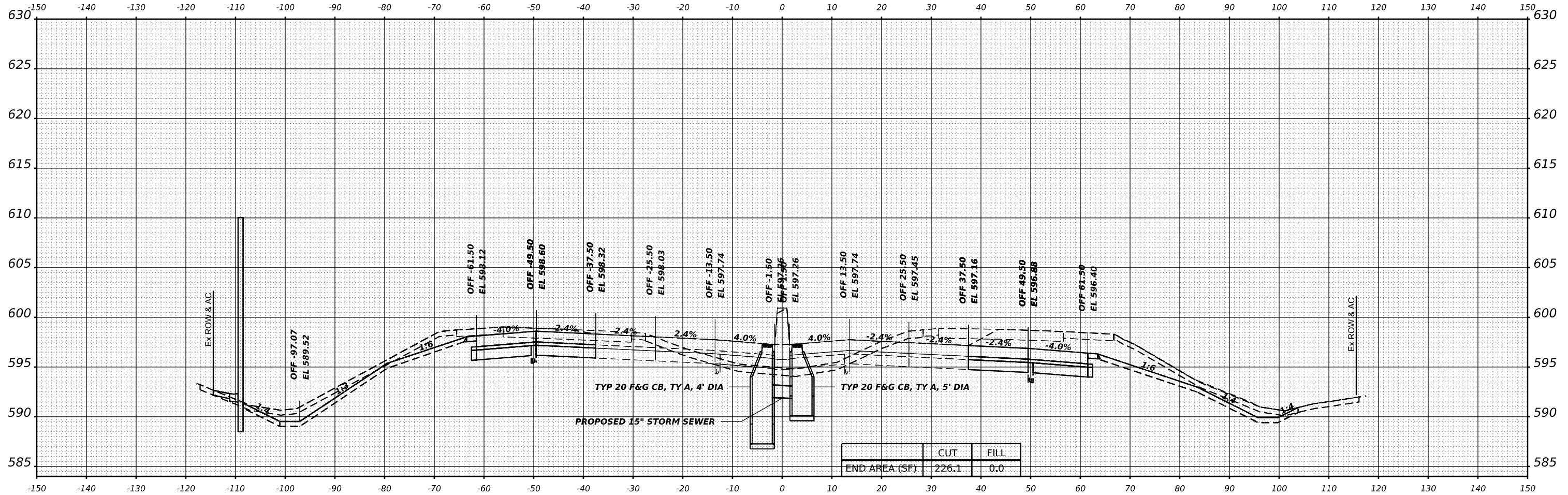
F.A.I. RTE.	SECTION	COUNTY	TOTAL SHEETS	SHEET NO.
I-80	FAI 80 21 STRUCTURE 6	WILL	898	841
			CONTRACT NO. 62R27	
		ILLINOIS	FED. AID PROJECT	

STA 503+00.00

FINAL SURVEY NO.	SURVEYED	BY	DATE
	PLOTTED		
	TEMPLATE		
	AREAS CHECKED		

ORIGINAL SURVEY NO.	SURVEYED	BY	DATE
	PLOTTED		
	TEMPLATE		
	AREAS CHECKED		

MODEL: BL_P1_80_W - 504+00.00 (Sheet)
 FILE NAME: p:\transystems\p1\80\dev\transystems\p1\80\2022\02\TransSystems\CA\0\5-D\02-Container\STAGE 2\22-0115-C-CONTAINER_P1-ROADWAY_52.P1.dgn



	CUT	FILL
END AREA (SF)	226.1	0.0

TRANSYSTEMS

USER NAME = amkluver	DESIGNED - VLJ	REVISED -
PLOT SCALE = 0.16666633 1/ in.	DRAWN - MBM	REVISED -
PLOT DATE = 6/23/2023	CHECKED - JMG	REVISED -
	DATE - 6/26/23	REVISED -

**STATE OF ILLINOIS
 DEPARTMENT OF TRANSPORTATION**

CROSS SECTIONS STAGE 2			
I-80			
SCALE: 10:H 5:V	SHEET 72	OF 83 SHEETS	STA. 504+00.00

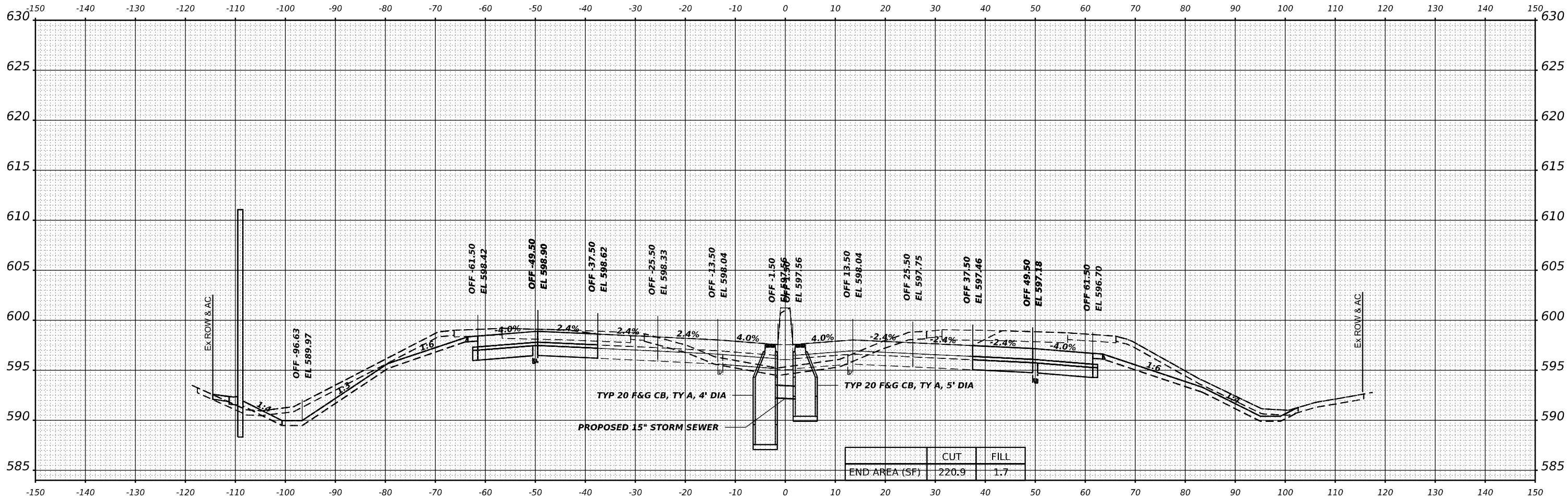
STA 504+00.00

F.A.I. RTE.	SECTION	COUNTY	TOTAL SHEETS	SHEET NO.
I-80	FAI 80 21 STRUCTURE 6	WILL	898	842
CONTRACT NO. 62R27				
ILLINOIS FED. AID PROJECT				

FINAL SURVEY	SURVEYED	BY	DATE
NOTE BOOK	PLOTTED		
NO.	TEMPLATE		
	AREAS		
	CHECKED		

ORIGINAL SURVEY	SURVEYED	BY	DATE
NOTE BOOK	PLOTTED		
NO.	TEMPLATE		
	AREAS		
	CHECKED		

MODEL: BL_P180_W - 505+00.00 (Sheet)
 FILE NAME: p:\transystems\p180\dev\transystems\p180\p180\Documents\Projects\2018\CH401\401\80022\02-TransSystems\CA\0\05-D\02-Container\STAGE 2\02-011-SC-CONTAINER_PS-ROADWAY_S2.P3.dgn



	CUT	FILL
END AREA (SF)	220.9	1.7

STA 505+00.00

TRANSYSTEMS

USER NAME	= amkluver
DESIGNED	- VLJ
DRAWN	- MBM
CHECKED	- JMG
DATE	- 6/26/23

REVISED	-
REVISED	-
REVISED	-
REVISED	-

**STATE OF ILLINOIS
DEPARTMENT OF TRANSPORTATION**

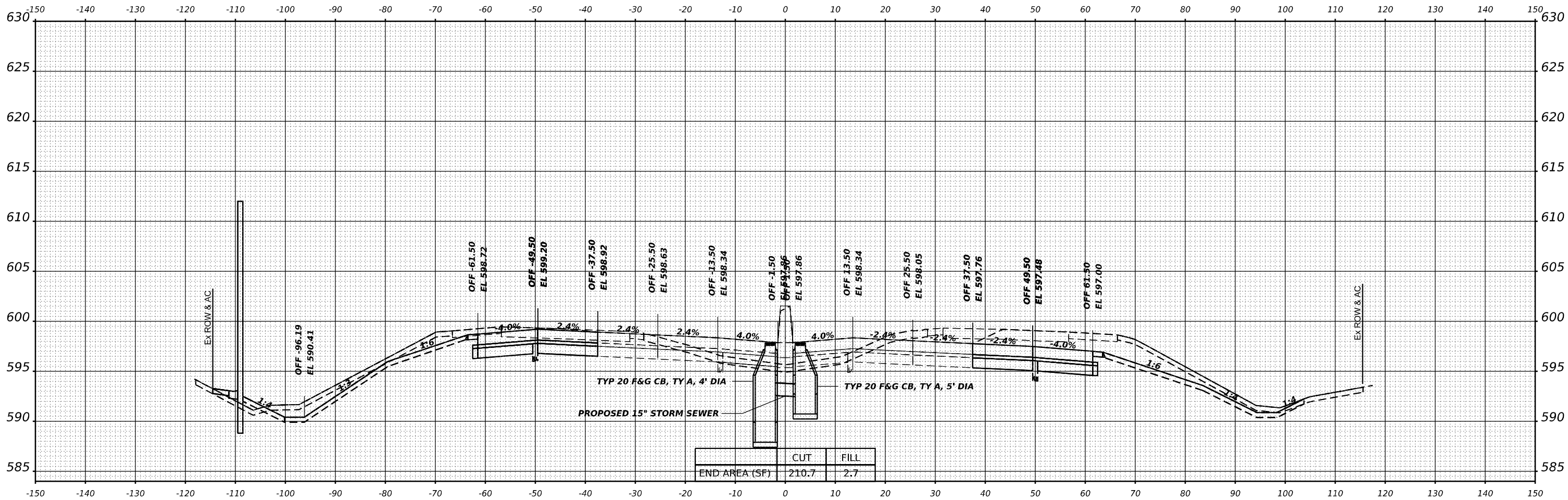
CROSS SECTIONS STAGE 2			
I-80			
SCALE: 10:H 5:V	SHEET 73	OF 83 SHEETS	STA. 505+00.00

F.A.I. RTE.	SECTION	COUNTY	TOTAL SHEETS	SHEET NO.
I-80	FAI 80 21 STRUCTURE 6	WILL	898	843
				CONTRACT NO. 62R27
				ILLINOIS FED. AID PROJECT

FINAL SURVEY NO.	SURVEYED	BY	DATE
	PLOTTED		
	TEMPLATE		
	AREAS		
	CHECKED		

ORIGINAL SURVEY NO.	SURVEYED	BY	DATE
	PLOTTED		
	TEMPLATE		
	AREAS		
	CHECKED		

MODEL: BL_RL_80_W - 506+00.00 (Sheet)
 FILE NAME: p:\transystems\p\2018\06\2022\02\TransSystems\CA\05\02\02-Container\STAGE 2\22-0115-C-CONTAINER_PS_ROADWAY_S2.P3.dgn



STA 506+00.00

TRANSYSTEMS

USER NAME	= amkluver
PLOT SCALE	= 0.16666633 1/ in.
PLOT DATE	= 6/23/2023

DESIGNED	- VLJ
DRAWN	- MBM
CHECKED	- JMG
DATE	- 6/26/23

REVISED	-
REVISED	-
REVISED	-
REVISED	-

**STATE OF ILLINOIS
DEPARTMENT OF TRANSPORTATION**

**CROSS SECTIONS STAGE 2
I-80**

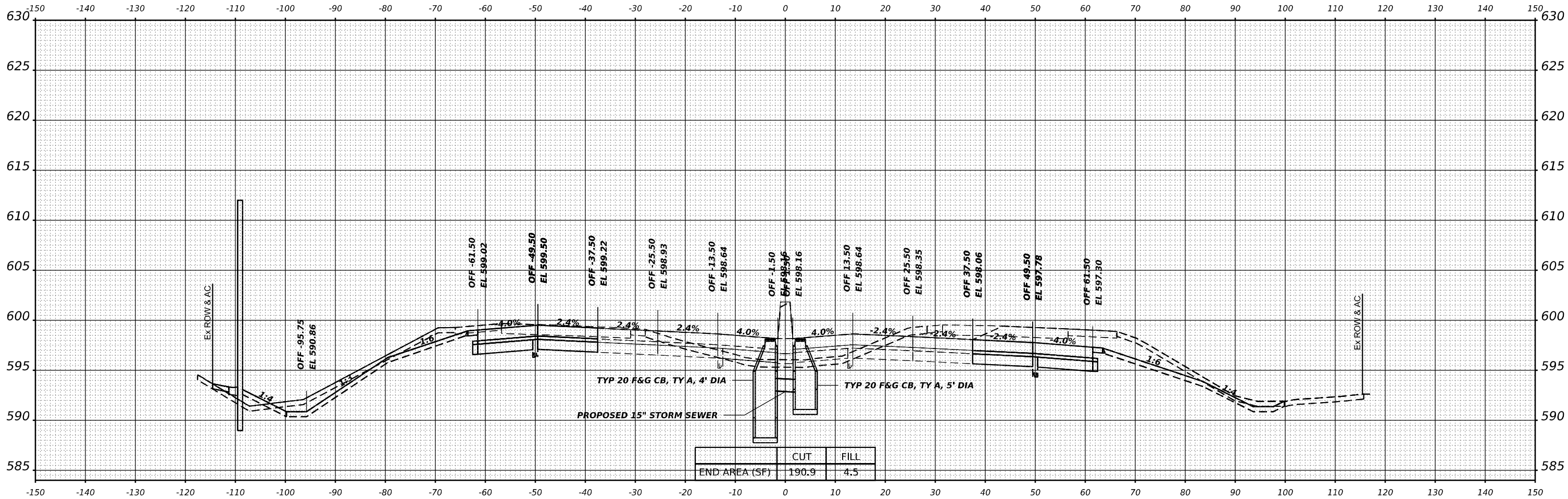
SCALE: 10:H 5:V SHEET 74 OF 83 SHEETS STA. 506+00.00

F.A.I. RTE.	SECTION	COUNTY	TOTAL SHEETS	SHEET NO.
I-80	FAI 80 21 STRUCTURE 6	WILL	898	844
			CONTRACT NO. 62R27	
		ILLINOIS	FED. AID PROJECT	

FINAL SURVEY NO.	SURVEYED	BY	DATE
	PLOTTED		
	TEMPLATE		
	AREAS		
	CHECKED		

ORIGINAL SURVEY NO.	SURVEYED	BY	DATE
	PLOTTED		
	TEMPLATE		
	AREAS		
	CHECKED		

MODEL: BL_RL_80_W - 507+00.00 (Sheet)
 FILE NAME: p:\transystems\p\road\dev\transystems\road\documents\projects\2018\CH401\401.1\80022\02-TransSystems\CAD\05-D02-Container\STAGE 2\22-D11-SC-CONTAINER_PS-ROADWAY_52.P3.dgn



	CUT	FILL
END AREA (SF)	190.9	4.5

STA 507+00.00

TRANSYSTEMS

USER NAME = amkluver	DESIGNED - VLJ	REVISED -
PLOT SCALE = 0.16666633 1/ in.	DRAWN - MBM	REVISED -
PLOT DATE = 6/23/2023	CHECKED - JMG	REVISED -
	DATE - 6/26/23	REVISED -

**STATE OF ILLINOIS
DEPARTMENT OF TRANSPORTATION**

**CROSS SECTIONS STAGE 2
I-80**

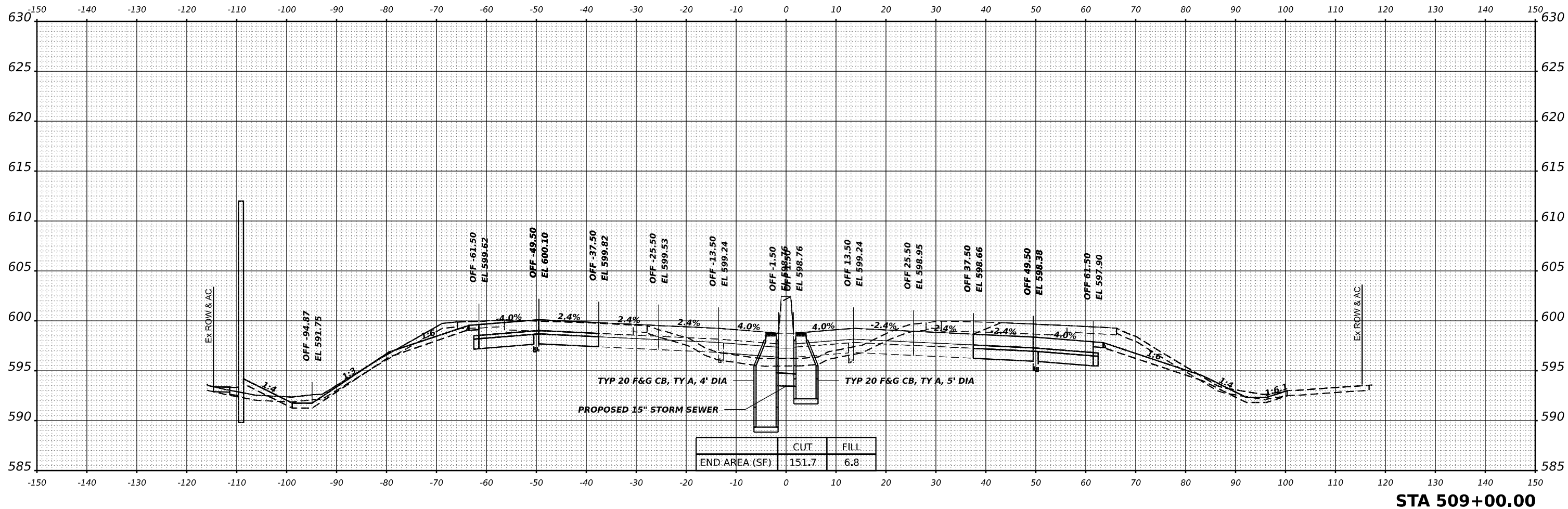
SCALE: 10:H 5:V SHEET 75 OF 83 SHEETS STA. 507+00.00

F.A.I. RTE.	SECTION	COUNTY	TOTAL SHEETS	SHEET NO.
I-80	FAI 80 21 STRUCTURE 6	WILL	898	845
			CONTRACT NO. 62R27	
		ILLINOIS	FED. AID PROJECT	

FINAL SURVEY	SURVEYED	BY	DATE
NOTE BOOK	PLOTTED		
NO.	TEMPLATE		
	AREAS		
	CHECKED		

ORIGINAL SURVEY	SURVEYED	BY	DATE
NOTE BOOK	PLOTTED		
NO.	TEMPLATE		
	AREAS		
	CHECKED		

MODEL: BL_P1_80_W - 509+00.00 (Sheet)
 FILE NAME: p:\transystems\p1_80\Drawings\Documents\Projects\2018\CH401\401.1\80022\02-TransSystems\CA\0\05-3D\02-Container\STAGE 2\02-01-SS-CONTAINER_PS_ROWWAY_S2.P3.dgn



	CUT	FILL
END AREA (SF)	151.7	6.8

STA 509+00.00

TRANSYSTEMS

USER NAME	= amkluver
DESIGNED	- VLJ
DRAWN	- MBM
CHECKED	- JMG
DATE	- 6/26/23
PLOT SCALE	= 0.16666633 1/ in.
PLOT DATE	= 6/23/2023

REVISED	-
REVISED	-
REVISED	-
REVISED	-

**STATE OF ILLINOIS
DEPARTMENT OF TRANSPORTATION**

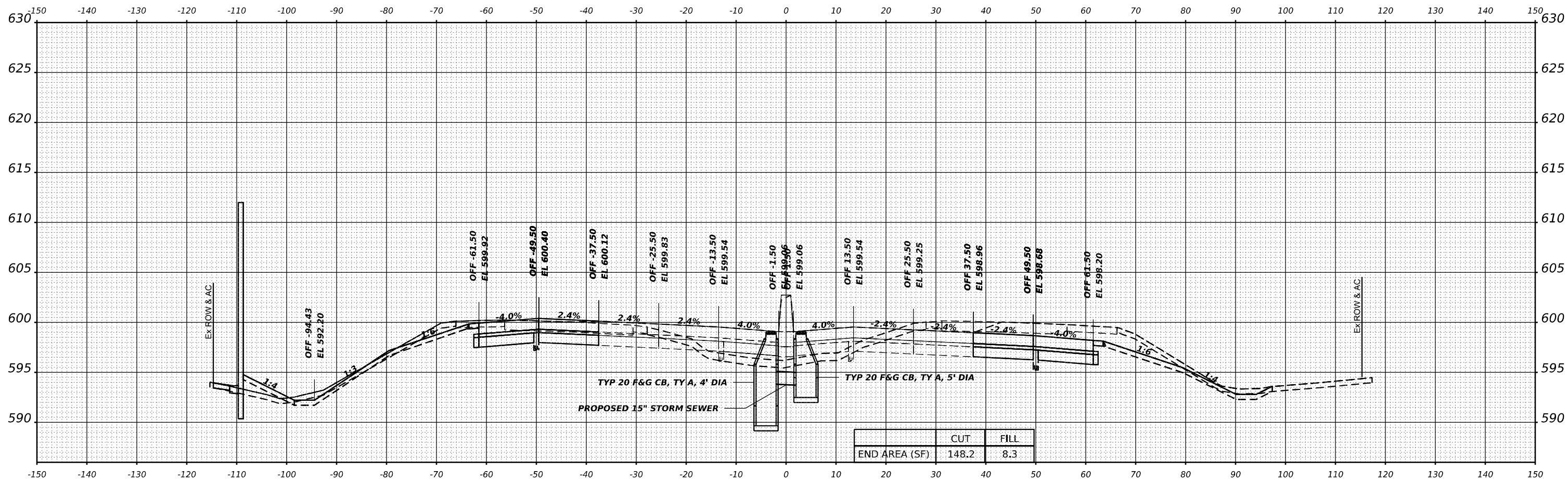
CROSS SECTIONS STAGE 2			
I-80			
SCALE: 10:H 5:V	SHEET 77	OF 83 SHEETS	STA. 509+00.00

F.A.I. RTE.	SECTION	COUNTY	TOTAL SHEETS	SHEET NO.
I-80	FAI 80 21 STRUCTURE 6	WILL	898	847
CONTRACT NO. 62R27				
ILLINOIS FED. AID PROJECT				

FINAL SURVEY	SURVEYED	BY	DATE
NOTE BOOK	PLOTTED		
NO.	TEMPLATE		
	AREAS CHECKED		

ORIGINAL SURVEY	SURVEYED	BY	DATE
NOTE BOOK	PLOTTED		
NO.	TEMPLATE		
	AREAS CHECKED		

MODEL: BL_RL_80_W - 510+00.00 (Sheet)
 FILE NAME: p:\transystems\p\z\dev\transystems\p\z\dev\Documents\Projects\2018\CH401\401.180022\02-TransSystems\CA\0\05-3D\02-Container\STAGE 2\02-011-SC-CONTAINER_PS_ROADWAY_52.P3.dgn



	CUT	FILL
END AREA (SF)	148.2	8.3

STA 510+00.00

TRANSYSTEMS

USER NAME	= amkluver
DESIGNED	- VLJ
DRAWN	- MBM
CHECKED	- JMG
DATE	- 6/26/23
PLOT SCALE	= 0.16666633 1/ in.
PLOT DATE	= 6/23/2023

REVISED	-
REVISED	-
REVISED	-
REVISED	-

**STATE OF ILLINOIS
DEPARTMENT OF TRANSPORTATION**

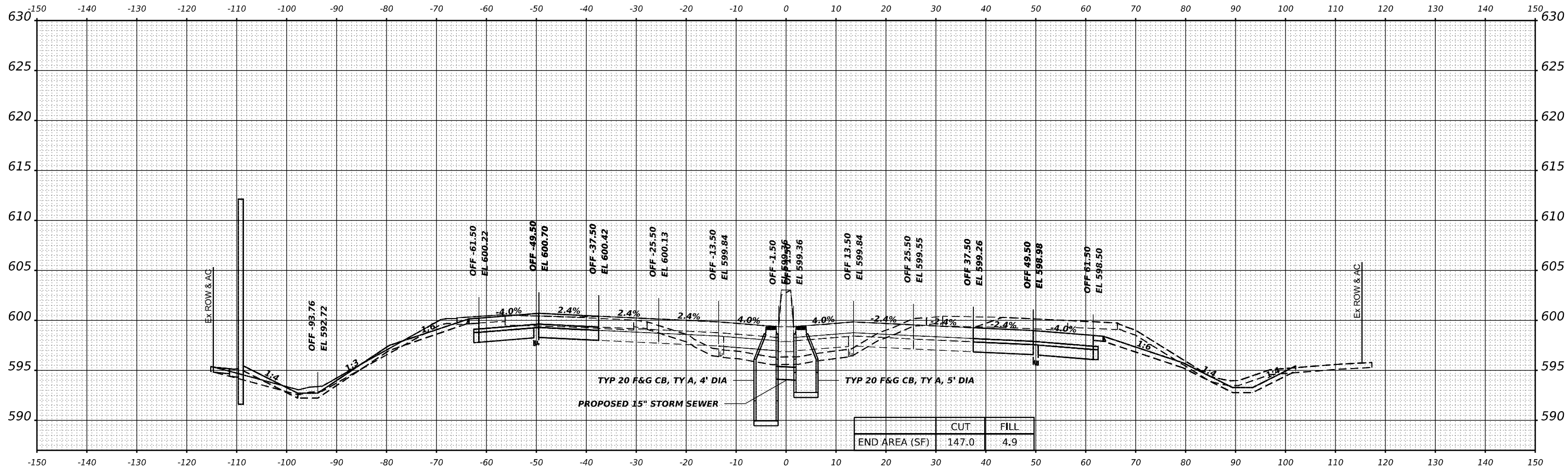
CROSS SECTIONS STAGE 2			
I-80			
SCALE: 10:H 5:V	SHEET 78	OF 83 SHEETS	STA. 510+00.00

F.A.I. RTE.	SECTION	COUNTY	TOTAL SHEETS	SHEET NO.
I-80	FAI 80 21 STRUCTURE 6	WILL	898	848
				CONTRACT NO. 62R27
				ILLINOIS FED. AID PROJECT

FINAL SURVEY	SURVEYED	BY	DATE
NOTE BOOK NO.	PLOTTED		
	TEMPLATE		
	AREAS CHECKED		

ORIGINAL SURVEY	SURVEYED	BY	DATE
NOTE BOOK NO.	PLOTTED		
	TEMPLATE		
	AREAS CHECKED		

MODEL: BL_P_RL_80_W - 511+00.00 (Sheet)
FILE NAME: d:\projects\transys\pwrdev\transys\pwrdev\pwrdev\Documents\Projects\2018\C401401180022\02-TransSystems\CAD\05-3D\02-Container\STAGE 2\2P-0115-C-CONTAINER_PS_ROADWAY_52.PS.dgn



STA 511+00.00



USER NAME	= amkluver	DESIGNED	- VLJ	REVISED	-
PLOT SCALE	= 0.16666633 1/ in.	DRAWN	- MBM	REVISED	-
PLOT DATE	= 6/23/2023	CHECKED	- JMG	REVISED	-
		DATE	- 6/26/23	REVISED	-

**STATE OF ILLINOIS
DEPARTMENT OF TRANSPORTATION**

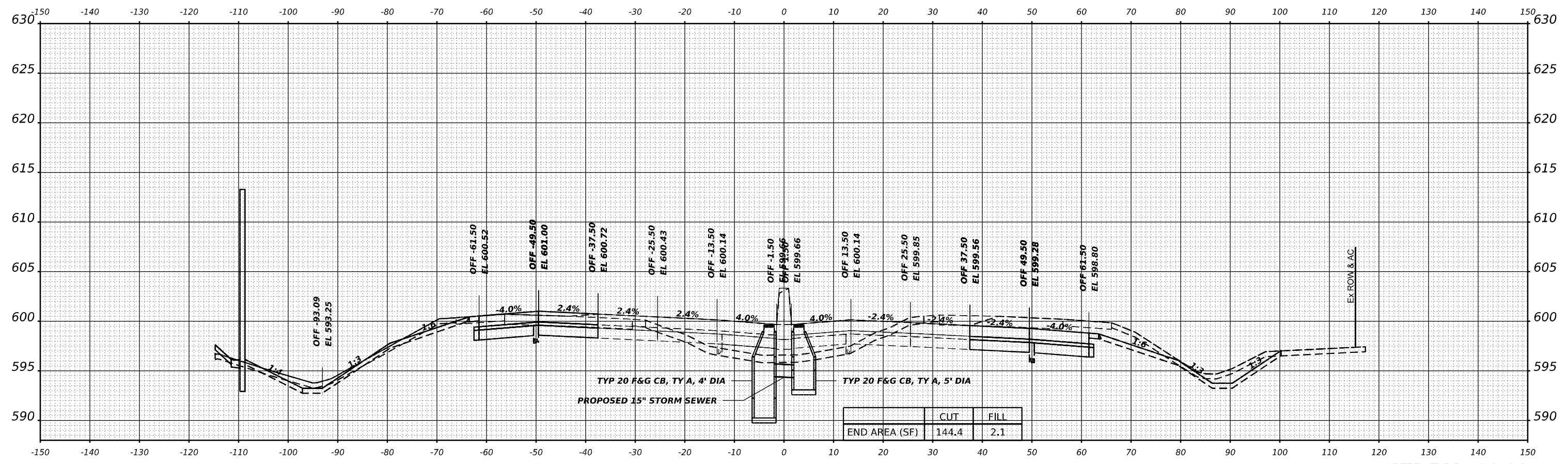
CROSS SECTIONS STAGE 2			
I-80			
SCALE: 10:H 5:V	SHEET 79	OF 83 SHEETS	STA. 511+00.00

F.A.I. RTE.	SECTION	COUNTY	TOTAL SHEETS	SHEET NO.
I-80	FAI 80 21 STRUCTURE 6	WILL	898	849
CONTRACT NO. 62R27				
ILLINOIS FED. AID PROJECT				

FINAL SURVEY	SURVEYED	BY	DATE
NOTE BOOK	PLOTTED		
NO.	TEMPLATE		
	AREAS		
	CHECKED		

ORIGINAL SURVEY	SURVEYED	BY	DATE
NOTE BOOK	PLOTTED		
NO.	TEMPLATE		
	AREAS		
	CHECKED		

MODEL: BL_P1_80_W - 512+00.00 (Sheet)
 FILE NAME: p:\transystems\p1_80\dev\transystems\p1_80\2022\02\TransSystems\CA\05-SD\02-Container\STAGE 2\02-01-SS-CONTAINER_P1_80\ROADWAY_S2.P1.dgn



STA 512+00.00



USER NAME = amkluver	DESIGNED - VLJ	REVISED -
PLOT SCALE = 0.16666633 1/ in.	DRAWN - MBM	REVISED -
PLOT DATE = 6/23/2023	CHECKED - JMG	REVISED -
	DATE - 6/26/23	REVISED -

**STATE OF ILLINOIS
DEPARTMENT OF TRANSPORTATION**

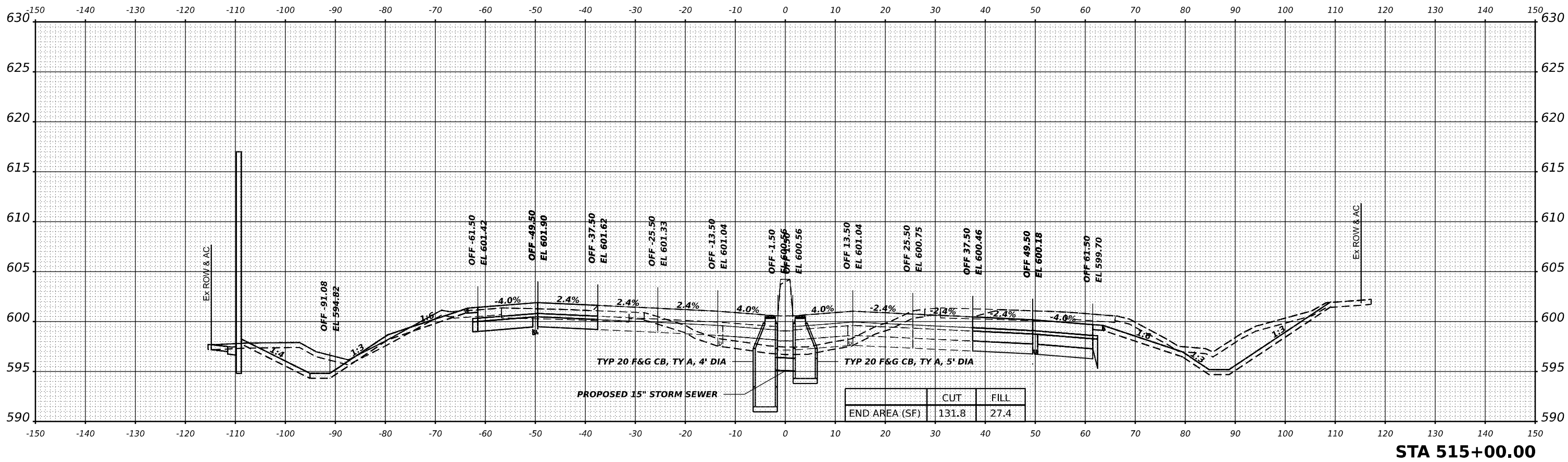
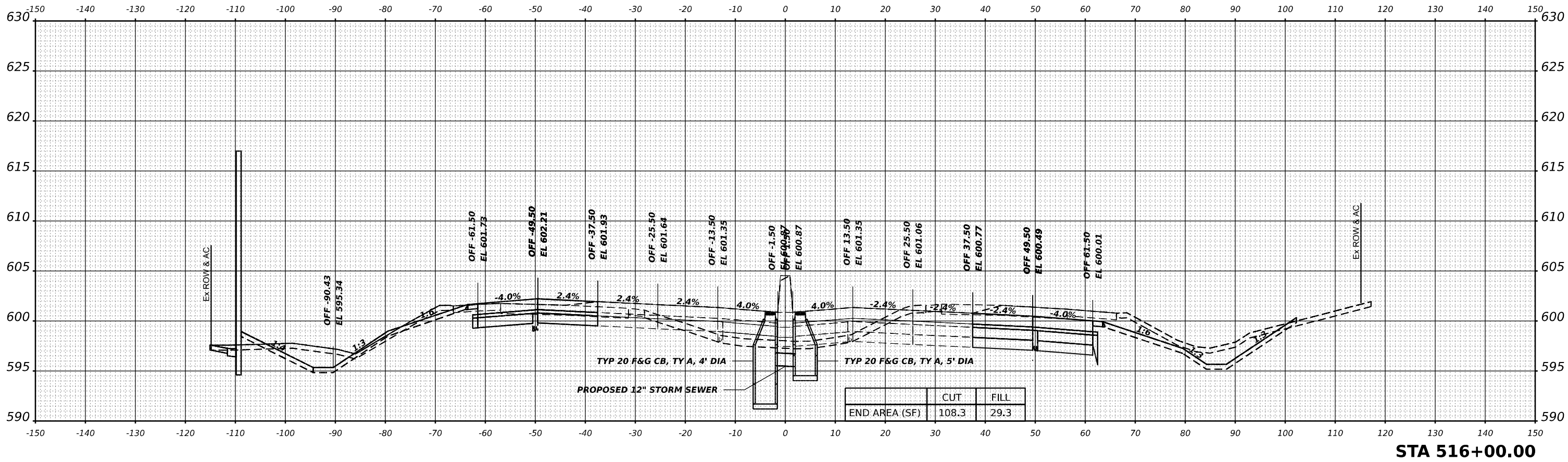
CROSS SECTIONS STAGE 2			
I-80			
SCALE: 10:H 5:V	SHEET 80	OF 83 SHEETS	STA. 512+00.00

F.A.I. RTE.	SECTION	COUNTY	TOTAL SHEETS	SHEET NO.
I-80	FAI 80 21 STRUCTURE 6	WILL	898	850
				CONTRACT NO. 62R27
				ILLINOIS FED. AID PROJECT

FINAL SURVEY	SURVEYED	BY	DATE
NOTE BOOK	PLOTTED		
NO.	TEMPLATE		
	AREAS CHECKED		

ORIGINAL SURVEY	SURVEYED	BY	DATE
NOTE BOOK	PLOTTED		
NO.	TEMPLATE		
	AREAS CHECKED		

MODEL: BL_RL_80_W_515+00.00 (Sheet)
FILE NAME: p:\transys\paw\dev\transys\paw\based\Documents\Projects_2018\CH401\401\80022\02-TransSystems\CAD\05-3D\02-Container\STAGE 2\02-11-SC-CONTAINER_PS_ROADWAY_52.PS.dgn



USER NAME = amkluver	DESIGNED - VLJ	REVISED -
	DRAWN - MBM	REVISED -
PLOT SCALE = 0.16666633 1/In.	CHECKED - JMG	REVISED -
PLOT DATE = 6/23/2023	DATE - 6/26/23	REVISED -

**STATE OF ILLINOIS
DEPARTMENT OF TRANSPORTATION**

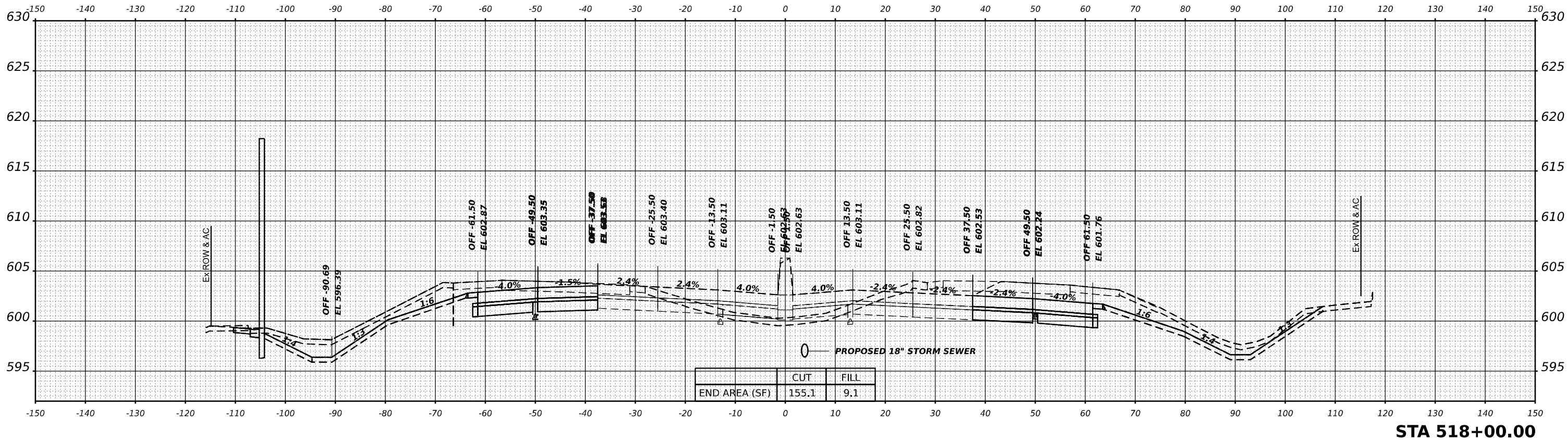
**CROSS SECTIONS STAGE 2
I-80**

SCALE: 10:H 5:V SHEET 82 OF 83 SHEETS STA. 515+00.00 516+00.00

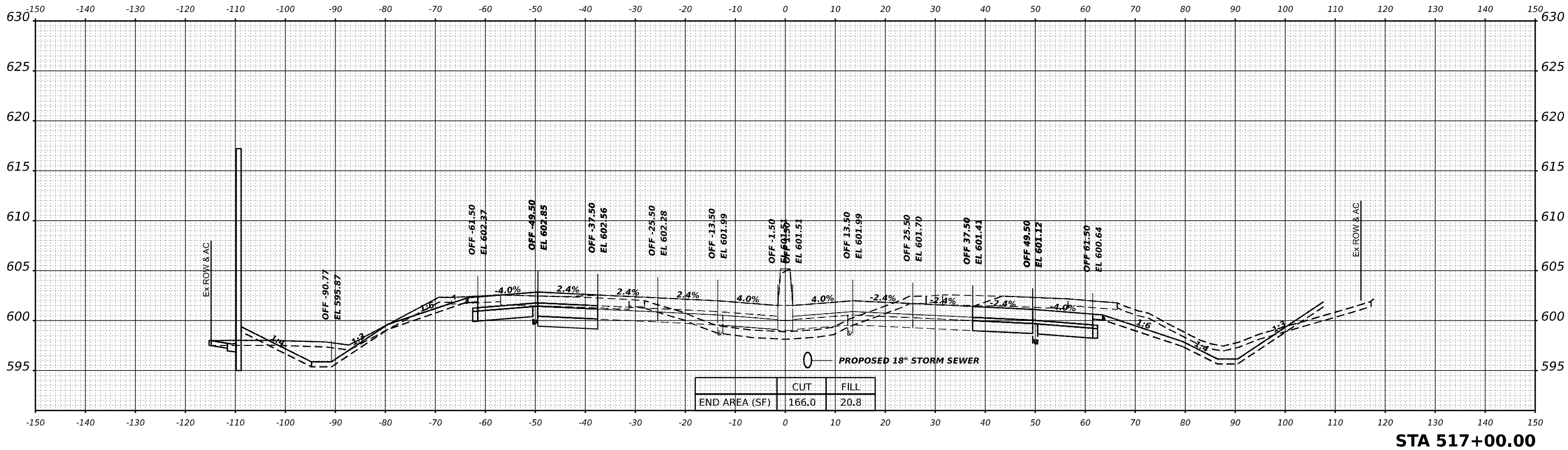
F.A.I. RTE.	SECTION	COUNTY	TOTAL SHEETS	SHEET NO.
I-80	FAI 80 21 STRUCTURE 6	WILL	898	852
				CONTRACT NO. 62R27

ILLINOIS FED. AID PROJECT

FINAL SURVEY	SURVEYED	BY	DATE
NOTE BOOK	PLOTTED		
NO.	TEMPLATE		
	AREAS CHECKED		



ORIGINAL SURVEY	SURVEYED	BY	DATE
NOTE BOOK	PLOTTED		
NO.	TEMPLATE		
	AREAS CHECKED		



MODEL: BL_P1_80_W - 517+00.00 (Sheet)
 FILE NAME: p:\transystems\p1\80\2022\02\TransSystems\CA\0\5-3D\02-Container\STAGE 2\P2-D11-SC-CONTAINER_P1-ROADWAY_52.P3.dgn

TRANSYSTEMS

USER NAME	= amkluver	DESIGNED -	V LJ	REVISED -	
PLOT SCALE	= 0.16666633 1/ in.	DRAWN -	MBM	REVISED -	
PLOT DATE	= 6/23/2023	CHECKED -	JMG	REVISED -	
		DATE -	6/26/23	REVISED -	

**STATE OF ILLINOIS
 DEPARTMENT OF TRANSPORTATION**

**CROSS SECTIONS STAGE 2
 I-80**

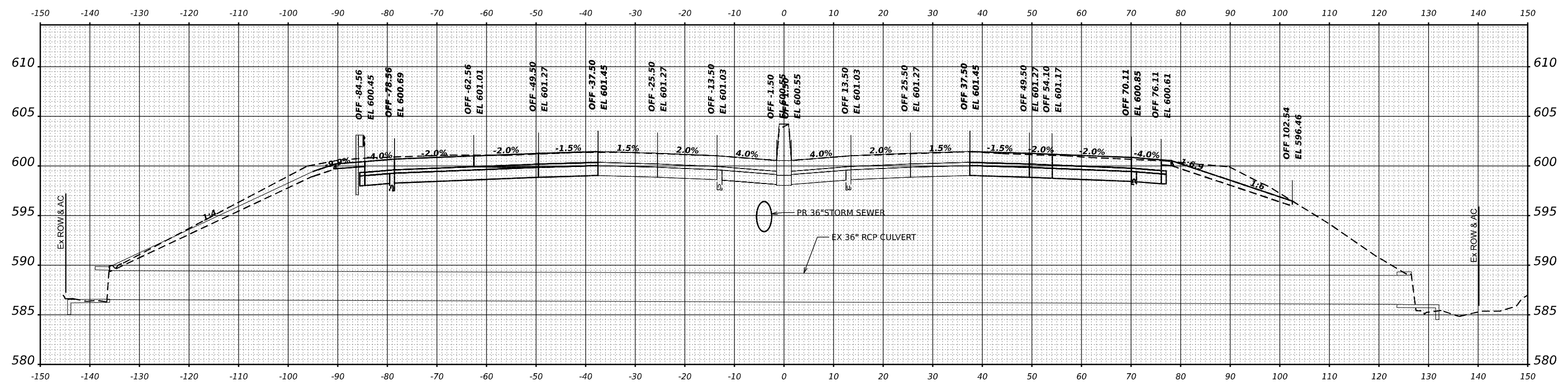
SCALE: 10:H 5:V SHEET 83 OF 83 SHEETS STA. 517+00.00 518+00.00

F.A.I. RTE.	SECTION	COUNTY	TOTAL SHEETS	SHEET NO.
I-80	FAI 80 21 STRUCTURE 6	WILL	898	853
			CONTRACT NO. 62R27	
		ILLINOIS	FED. AID PROJECT	

FINAL SURVEY	SURVEYED	BY	DATE
NOTE BOOK	PLOTTED		
	TEMPLATE		
	AREAS		
	CHECKED		

ORIGINAL SURVEY	SURVEYED	BY	DATE
NOTE BOOK	PLOTTED		
	TEMPLATE		
	AREAS		
	CHECKED		

MODEL: BL_P1_80_W-2_457+81.00 [Sheet]
 FILE NAME: p:\transystems\p1\80\2022\2022\transystems\CA\0\5\3D\02-Container\STAGE 2\22-01TSC-CONTAINER_P1_80_W-2_457+81.00-CULVERT-62R27.dgn



STA 457+81.00



USER NAME = amkluver	DESIGNED - VLJ	REVISED -
PLOT SCALE = 0.16666633 1/ in.	DRAWN - MBM	REVISED -
PLOT DATE = 6/23/2023	CHECKED - JMG	REVISED -
	DATE - 6/26/23	REVISED -

**STATE OF ILLINOIS
DEPARTMENT OF TRANSPORTATION**

**CROSS SECTIONS CULVERT CROSSING
I-80**

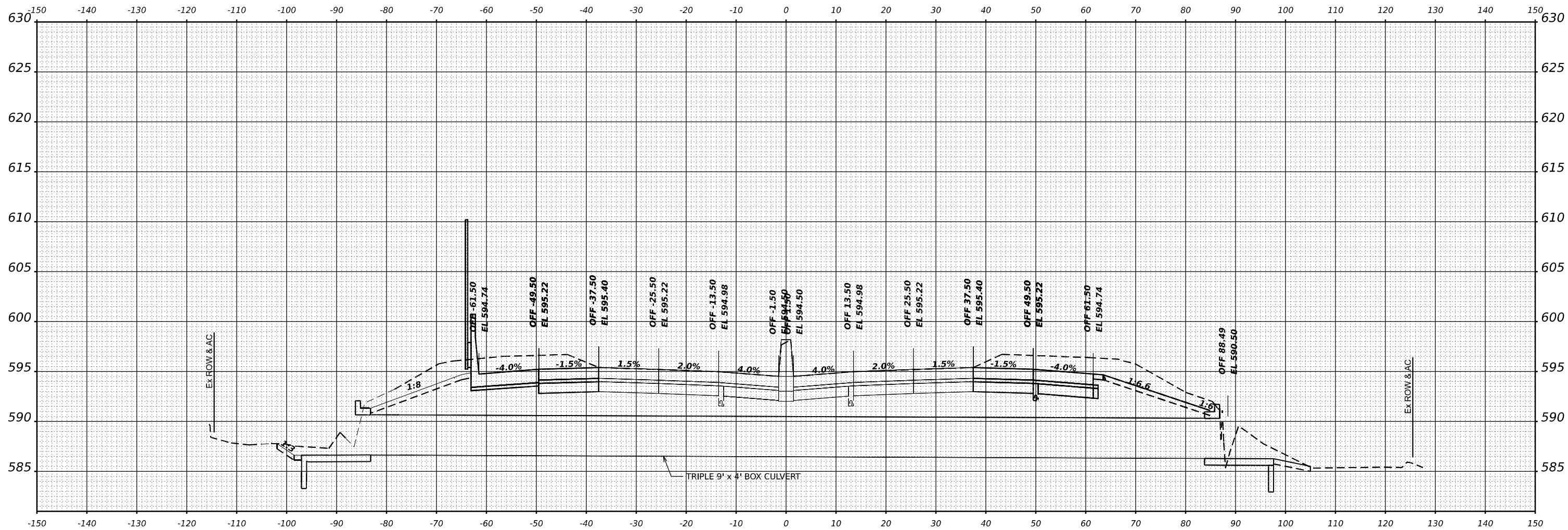
SCALE: 10:H 5:V SHEET 1 OF 2 SHEETS STA. 457+81.00 457+81.00

F.A.I. RTE.	SECTION	COUNTY	TOTAL SHEETS	SHEET NO.
I-80	FAI 80 21 STRUCTURE 6	WILL	898	854
CONTRACT NO. 62R27				
ILLINOIS FED. AID PROJECT				

FINAL SURVEY	SURVEYED	DATE
NOTE BOOK	PLOTTED	
	TEMPLATE	
	AREAS	
	AREAS CHECKED	

ORIGINAL SURVEY	SURVEYED	DATE
NOTE BOOK	PLOTTED	
	TEMPLATE	
	AREAS	
	AREAS CHECKED	

MODEL: BL_RL_80_W-2 - 494+81.00 (Sheet)
 FILE NAME: p:\transystems\p2\dev\transystems\p2\based\documents\projects\2018\c4011401180022\02\TransSystems\CA\0\5-3D\02-Container\PS-ROADWAY_S2-CULVERT-62R27.dgn



STA 494+81.00

TRANSYSTEMS

USER NAME = amkluver	DESIGNED - VLJ	REVISED -
PLOT SCALE = 0.16666633 1/ in.	DRAWN - MBM	REVISED -
PLOT DATE = 7/27/2023	CHECKED - JMG	REVISED -
	DATE - 6/26/23	REVISED -

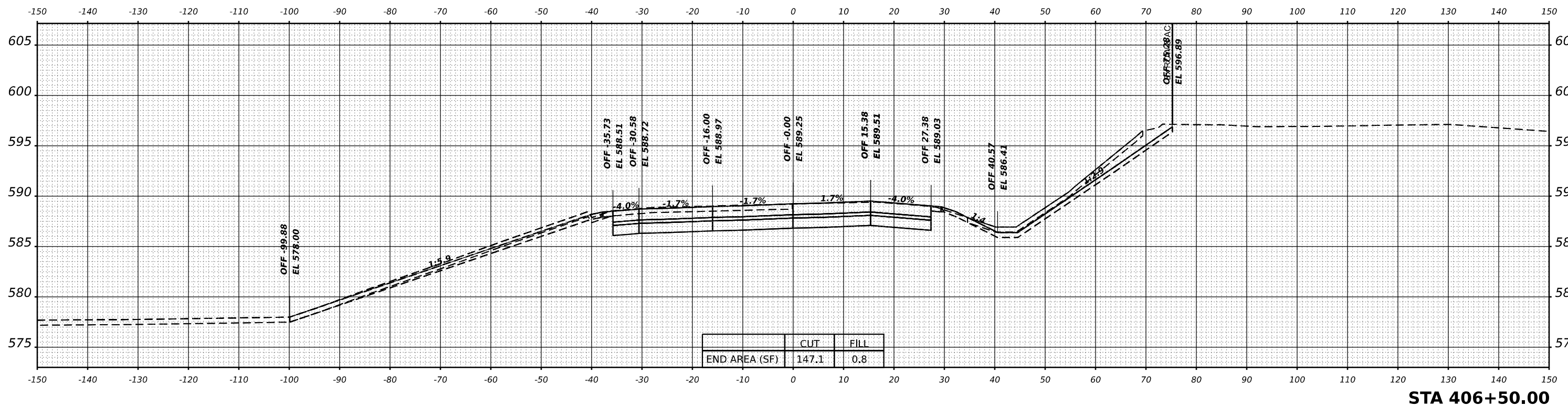
**STATE OF ILLINOIS
 DEPARTMENT OF TRANSPORTATION**

CROSS SECTIONS CULVERT CROSSING				
I-80				
SCALE: 10:H 5:V	SHEET 2	OF 2	SHEETS	STA. 494+81.00
				494+81.00

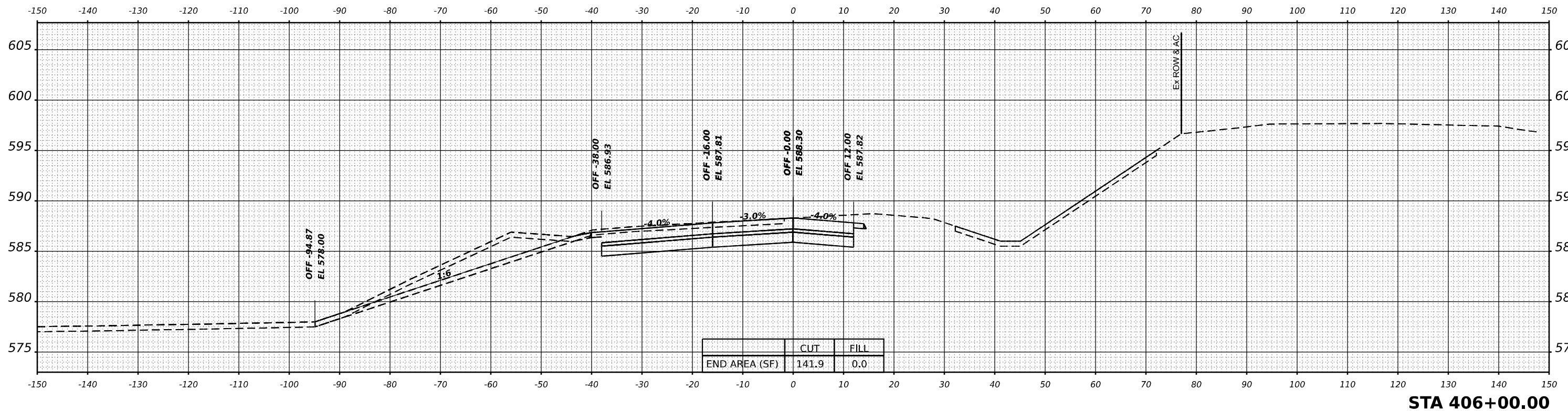
F.A.I. RTE.	SECTION	COUNTY	TOTAL SHEETS	SHEET NO.
I-80	FAI 80 21 STRUCTURE 6	WILL	898	855
CONTRACT NO. 62R27				
ILLINOIS	FED. AID PROJECT			

DATE	BY
NO.	
FINISH SURVEY	SURVEYED
NOTE BOOK	PLOTTED
	TEMPLATE
	AREAS
	CHECKED

MODEL: BLU_P\BLU_A - 406+00.00 (Sheet)
 FILE NAME: p:\transystems\pwork\dev\transystems\pwork\based\documents\projects\2018\C401\401.80022\02-TransSystems\CA\05\2D\02-Container\STAGE 2\01TSC-Container_P8_ROADWAY_HOU_RAMP-A-S2.dgn



DATE	BY
NO.	
ORIGINAL SURVEY	SURVEYED
NOTE BOOK	PLOTTED
	TEMPLATE
	AREAS
	CHECKED



TRANSYSTEMS

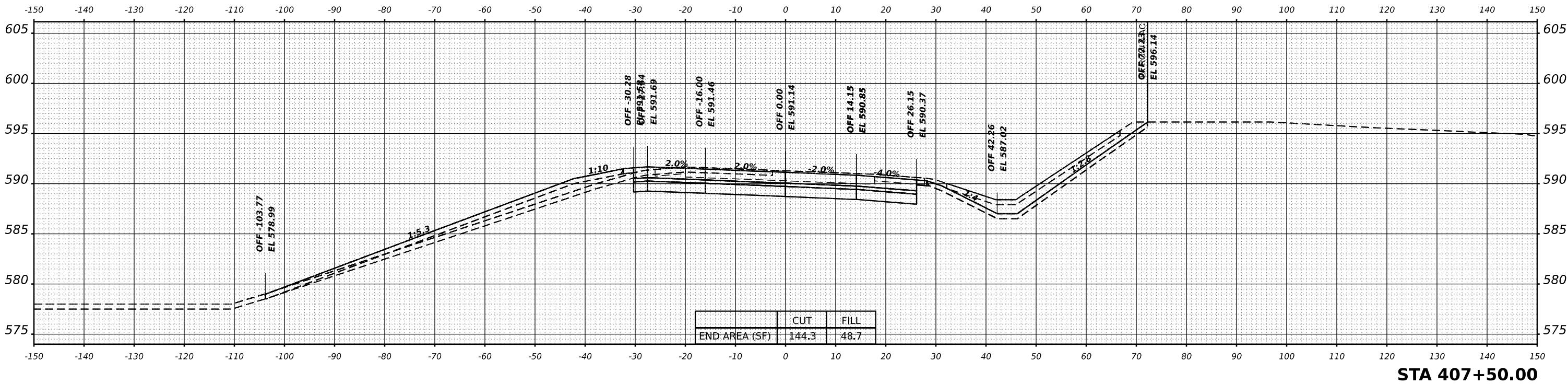
USER NAME	= amkluver	DESIGNED	- VLJ	REVISED	-
		DRAWN	- BAC	REVISED	-
PLOT SCALE	= 0.16666633 1/16"	CHECKED	- JMG	REVISED	-
PLOT DATE	= 6/23/2023	DATE	- 6/26/23	REVISED	-

**STATE OF ILLINOIS
 DEPARTMENT OF TRANSPORTATION**

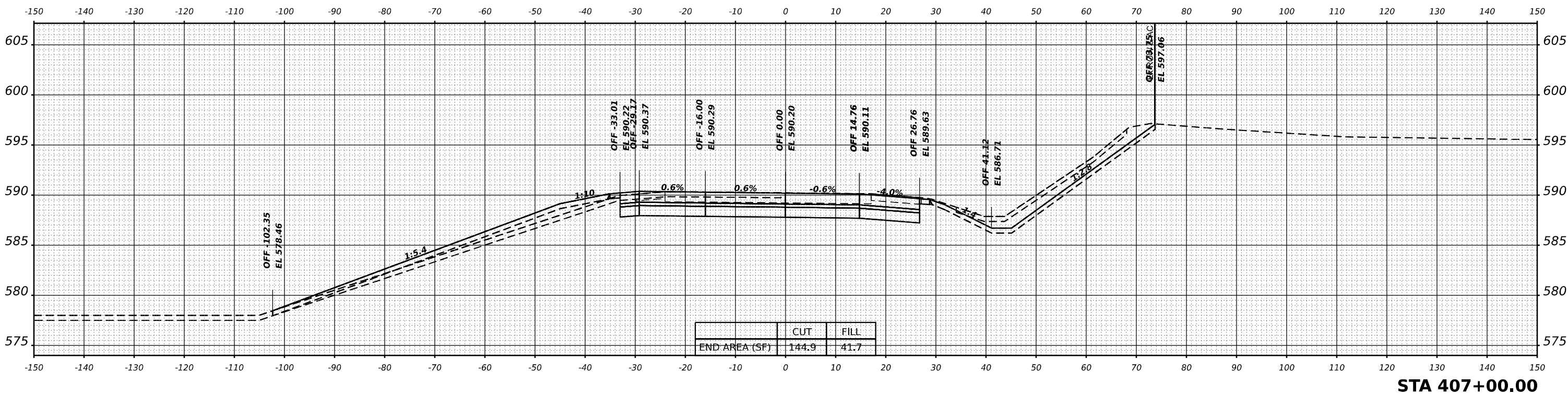
CROSS SECTIONS STAGE 2 HOUBOLT RAMP A						
SCALE: 10:H 5:V	SHEET 1	OF 7	SHEETS	STA. 406+00.00	406+50.00	

F.A.I. RTE.	SECTION	COUNTY	TOTAL SHEETS	SHEET NO.
I-80	FAI 80 21 STRUCTURE 6	WILL	898	856
			CONTRACT NO. 62R27	
			ILLINOIS FED. AID PROJECT	

DATE	
BY	
SURVEYED	
PLOTTED	
TEMPLATE	
AREAS	
AREAS CHECKED	
NO.	



	CUT	FILL
END AREA (SF)	144.3	48.7



	CUT	FILL
END AREA (SF)	144.9	41.7

USER NAME	= amkluver
DESIGNED	- VLJ
DRAWN	- BAC
CHECKED	- JMG
DATE	- 6/26/23

REVISED	-
REVISED	-
REVISED	-
REVISED	-

**STATE OF ILLINOIS
DEPARTMENT OF TRANSPORTATION**

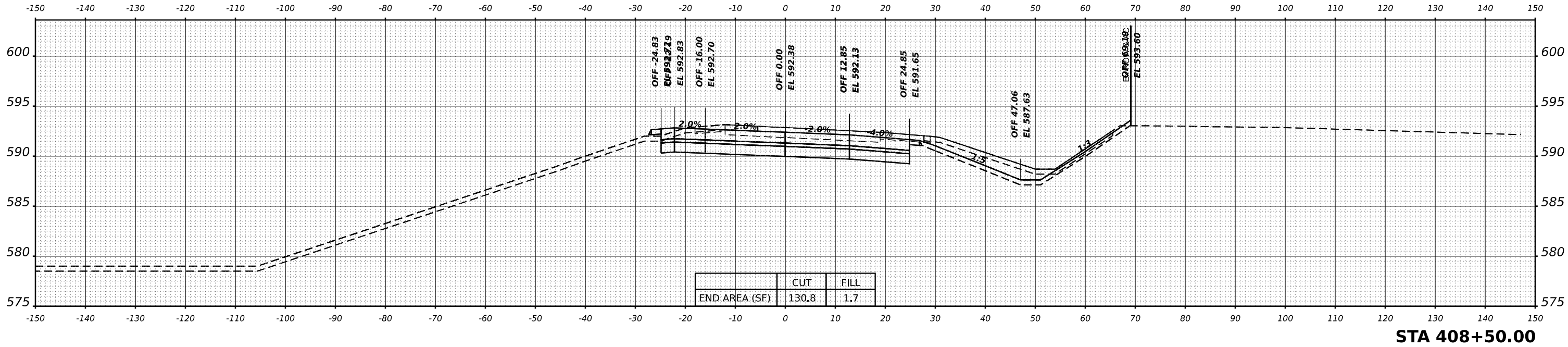
**CROSS SECTIONS STAGE 2
HOUBOLT RAMP A**

SCALE: 10:H 5:V SHEET 2 OF 7 SHEETS STA. 407+00.00 407+50.00

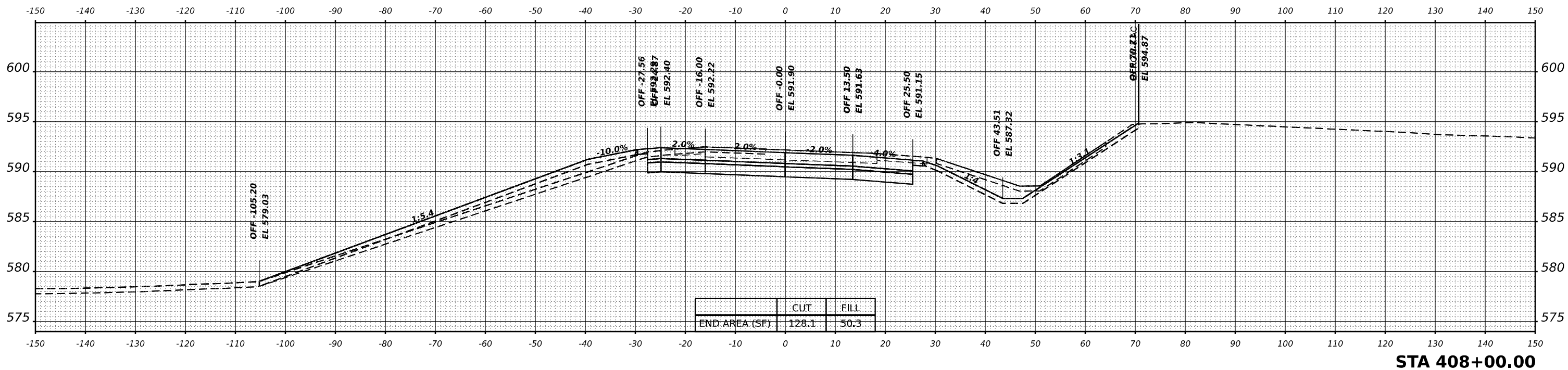
F.A.I. RTE.	SECTION	COUNTY	TOTAL SHEETS	SHEET NO.
I-80	FAI 80 21 STRUCTURE 6	WILL	898	857
CONTRACT NO. 62R27				

MODEL: BL_P\BILA - 407+00.00 (Sheet)
 FILE NAME: p:\transystems\proj\dev\transystems\proj\docs\stage2\01TSC-CONTAINER_P\ROADWAY_HOU\BAMP-A-S2.dgn

FINAL SURVEY	SURVEYED	BY	DATE
NOTE BOOK	PLOTTED		
NO.	TEMPLATE		
	AREAS		
	CHECKED		



ORIGINAL SURVEY	SURVEYED	BY	DATE
NOTE BOOK	PLOTTED		
NO.	TEMPLATE		
	AREAS		
	CHECKED		



MODEL: BL_Ramp_A - 408+00.00 (Sheet)
 FILE NAME: p:\transystems\p\dev\transystems\p\dev\Documents\Projects\2018\C401\401.8002\02-Transystems\CAD\05-02-Container\STAGE 2\01-Container\PS_Roadway_HOU_Ramp_A-S2.dwg

TRANSYSTEMS

USER NAME	= amkluver
DESIGNED	- VLJ
DRAWN	- BAC
CHECKED	- JMG
DATE	- 6/26/23

REVISED	-
REVISED	-
REVISED	-
REVISED	-

**STATE OF ILLINOIS
 DEPARTMENT OF TRANSPORTATION**

**CROSS SECTIONS STAGE 2
 HOUBOLT RAMP A**

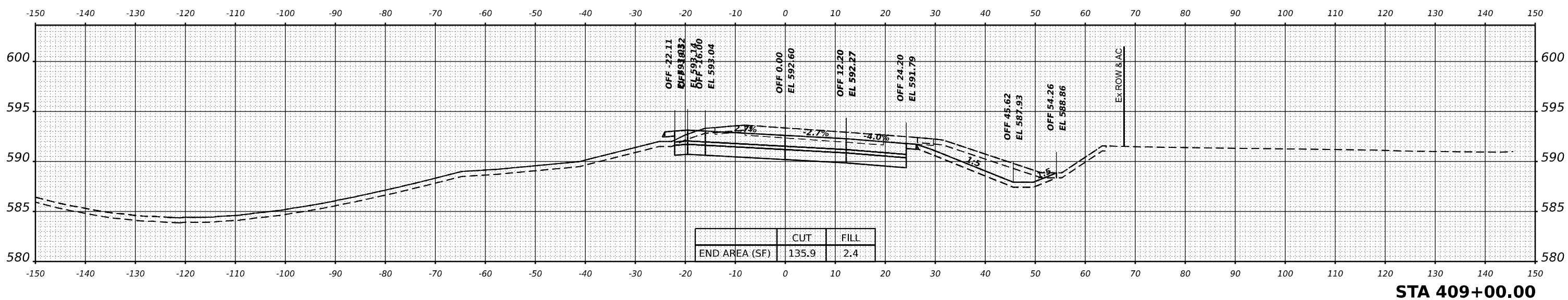
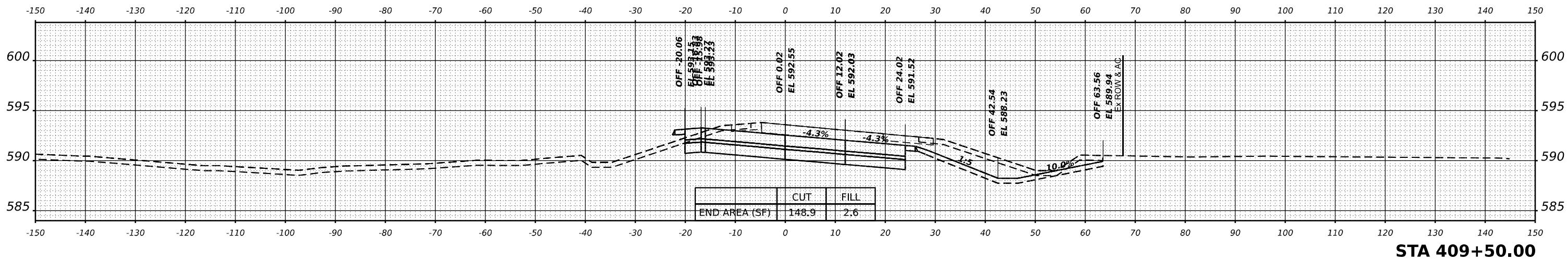
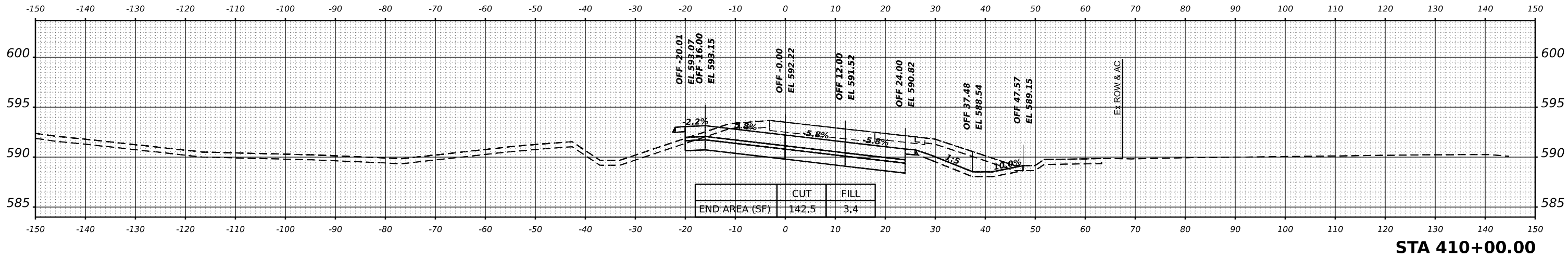
SCALE: 10:H 5:V SHEET 3 OF 7 SHEETS STA. 408+00.00 408+50.00

F.A.I. RTE.	SECTION	COUNTY	TOTAL SHEETS	SHEET NO.
I-80	FAI 80 21 STRUCTURE 6	WILL	898	858
			CONTRACT NO. 62R27	
		ILLINOIS	FED. AID PROJECT	

DATE	
BY	
SURVEYED	
PLOTTED	
TEMPLATE	
AREAS	
CHECKED	
NO.	

DATE	
BY	
SURVEYED	
PLOTTED	
TEMPLATE	
AREAS	
CHECKED	
NO.	

MODEL: BL_RAMP_A - 409+00.00 (Sheet)
 FILE NAME: d:\transystems\pwworking\documents\projects\2018\CH401\401180022\02-TransSystems\CA\05-D02-Container\STAGE 2\01TSC-Container\PS-ROADWAY\HOU_RAMP_A-S2.dgn



USER NAME	= amkluver	DESIGNED	- VLJ	REVISED	-
		DRAWN	- BAC	REVISED	-
PLOT SCALE	= 0.16666633 1/ in.	CHECKED	- JMG	REVISED	-
PLOT DATE	= 6/23/2023	DATE	- 6/26/23	REVISED	-

STATE OF ILLINOIS
DEPARTMENT OF TRANSPORTATION

CROSS SECTIONS STAGE 2
HOUBOLT RAMP A

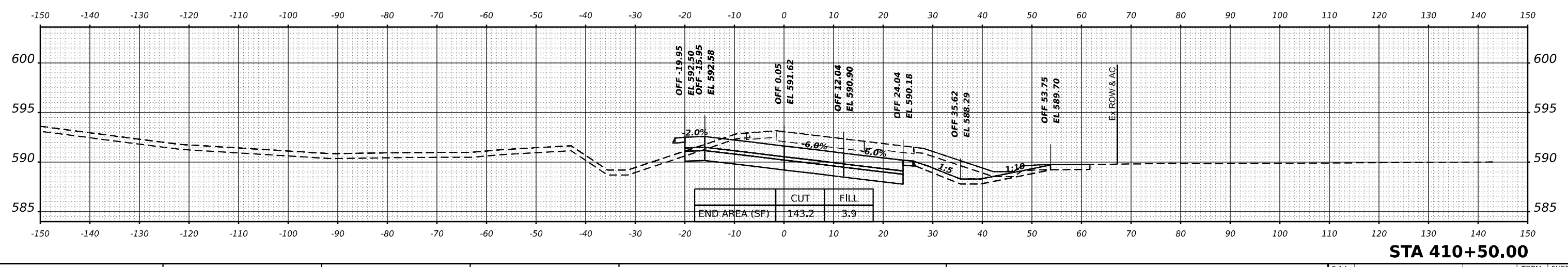
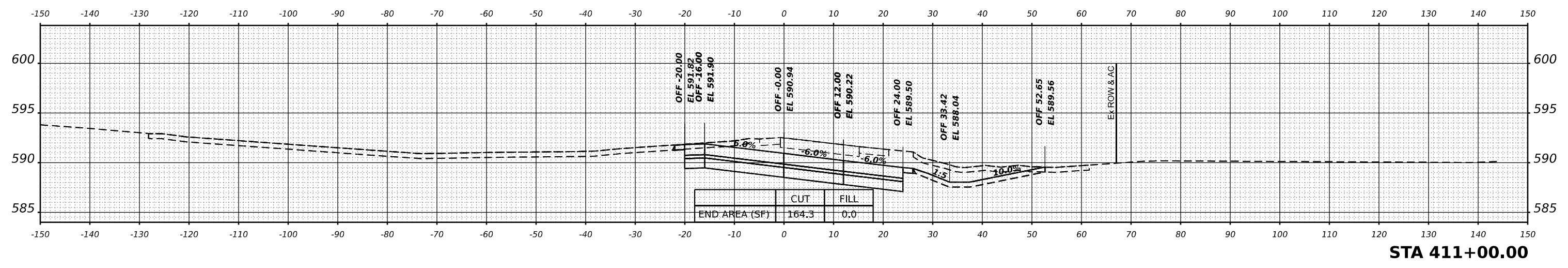
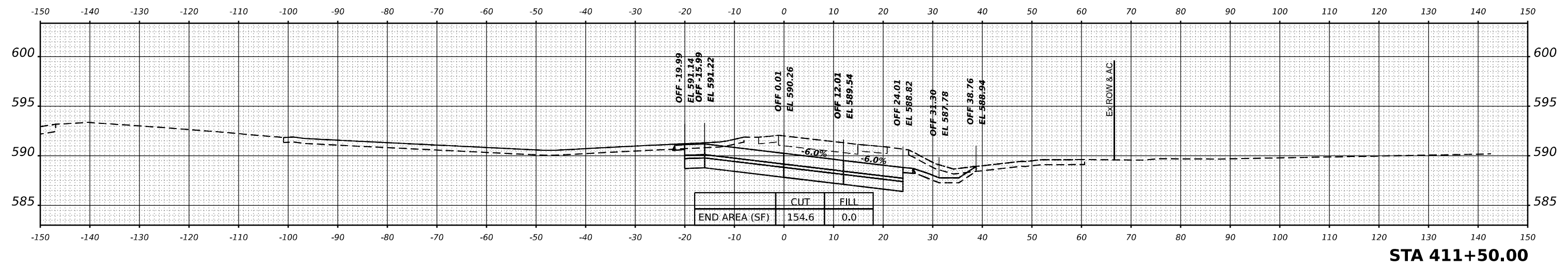
SCALE: 10:H 5:V	SHEET 4	OF 7 SHEETS	STA. 409+00.00	410+00.00
-----------------	---------	-------------	----------------	-----------

F.A.I. RTE.	SECTION	COUNTY	TOTAL SHEETS	SHEET NO.
I-80	FAI 80 21 STRUCTURE 6	WILL	898	859
				CONTRACT NO. 62R27

DATE	
BY	
NO.	
ORIGINAL SURVEY	
PLOTTED	
TEMPLATE	
AREAS	
AREAS CHECKED	
NO.	
NO.	

DATE	
BY	
NO.	
ORIGINAL SURVEY	
PLOTTED	
TEMPLATE	
AREAS	
AREAS CHECKED	
NO.	
NO.	

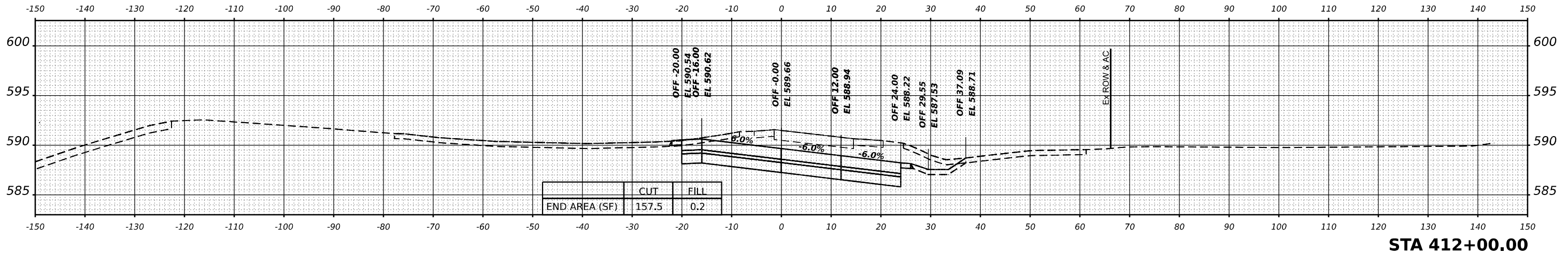
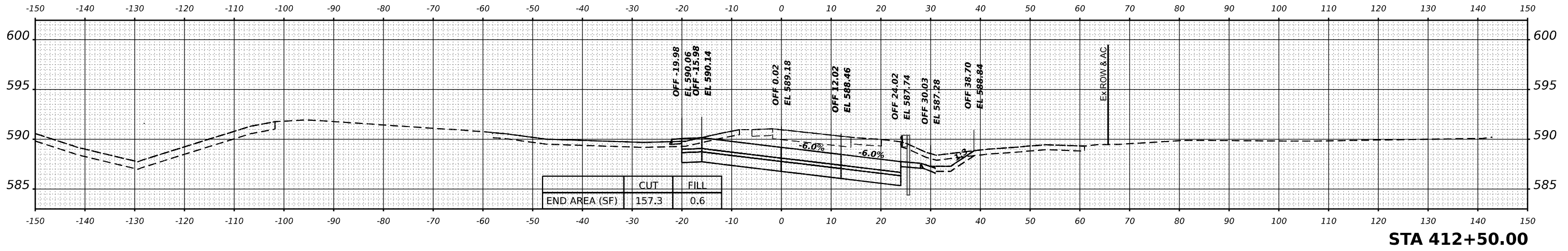
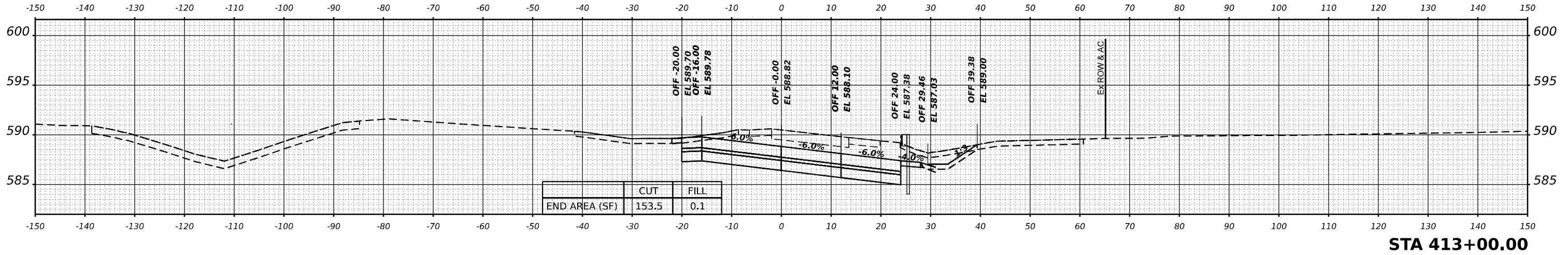
MODEL: BL_Ramp_IBL_A - 410+50.00 (Sheet)
 FILE NAME: p:\transystems\p\dev\transystems\p\stage2\stage2\transystems\CA\03\3D\02-Container\STAGE 2\01TSC-Container\PS_ROADWAY_HOU_RAMP-A-S2.dgn



DATE	
BY	
FINAL SURVEY	SURVEYED
NOTE BOOK	PLOTTED
NO.	TEMPLATE
	AREAS
	CHECKED

DATE	
BY	
ORIGINAL SURVEY	SURVEYED
NOTE BOOK	PLOTTED
NO.	TEMPLATE
	AREAS
	CHECKED

MODEL: BL_Ramp_IBLA_412+00.00 (Sheet)
 FILE NAME: p:\transystems\p\dev\transystems\p\roadway\Documents\Projects\2018\C401\401\80022\02-Transystems\CAD\05-3D\02-Container\STAGE 2\01TSC-Container\PS-ROADWAY_HOUBOLT_RAMP_A-S2.dgn



TRANSYSTEMS

USER NAME	= amkluver
PLOT SCALE	= 0.16666633 1/ in.
PLOT DATE	= 6/23/2023

DESIGNED	- VLJ
DRAWN	- BAC
CHECKED	- JMG
DATE	- 6/26/23

REVISED	-
REVISED	-
REVISED	-
REVISED	-

**STATE OF ILLINOIS
DEPARTMENT OF TRANSPORTATION**

**CROSS SECTIONS STAGE 2
HOUBOLT RAMP A**

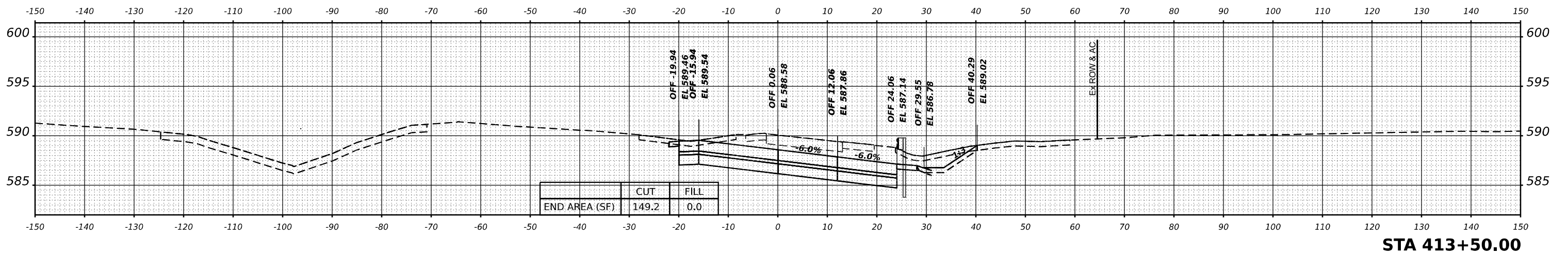
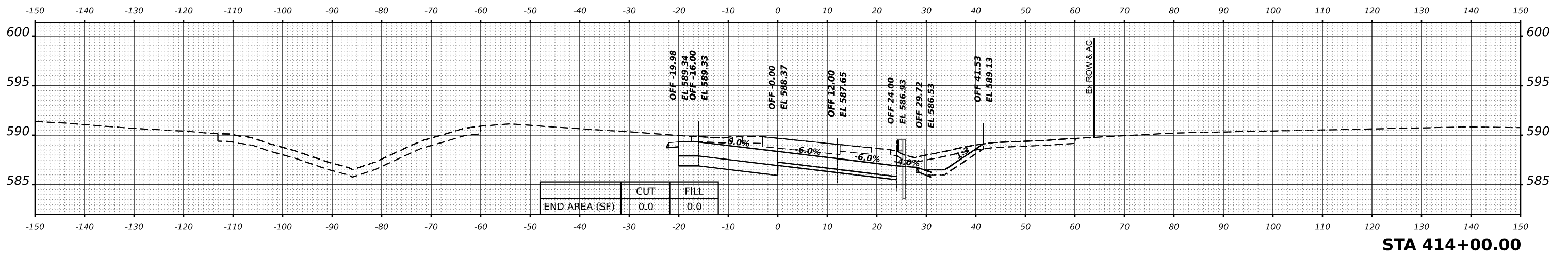
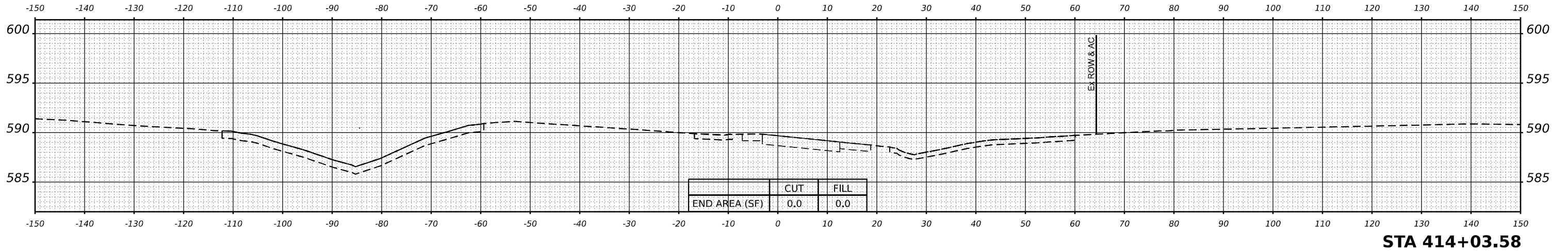
SCALE: 10:H 5:V	SHEET 6	OF 7 SHEETS	STA. 412+00.00	413+00.00
-----------------	---------	-------------	----------------	-----------

F.A.I. RTE.	SECTION	COUNTY	TOTAL SHEETS	SHEET NO.
I-80	FAI 80 21 STRUCTURE 6	WILL	898	861
			CONTRACT NO. 62R27	
		ILLINOIS	FED. AID PROJECT	

DATE	BY
NO.	NO.
ORIGINAL SURVEY NOTE BOOK	SURVEYED PLOTTED TEMPLATE AREAS CHECKED

DATE	BY
NO.	NO.
ORIGINAL SURVEY NOTE BOOK	SURVEYED PLOTTED TEMPLATE AREAS CHECKED

MODEL: BL_Ramp_IBLA_A - 413+50.00 (Sheet)
FILE NAME: p:\transystems\p\z\dev\transystems\p\z\stage 2\015-03-02-Container\STAGE 2\015-03-02-Container\PB_ROADWAY_HOUBOLT_RAMP-A-S2.dgn



USER NAME = amkluver	DESIGNED - VLJ	REVISED -
	DRAWN - BAC	REVISED -
PLOT SCALE = 0.16666633 ' / in.	CHECKED - JMG	REVISED -
PLOT DATE = 6/23/2023	DATE - 6/26/23	REVISED -

STATE OF ILLINOIS
DEPARTMENT OF TRANSPORTATION

CROSS SECTIONS STAGE 2
HOUBOLT RAMP A

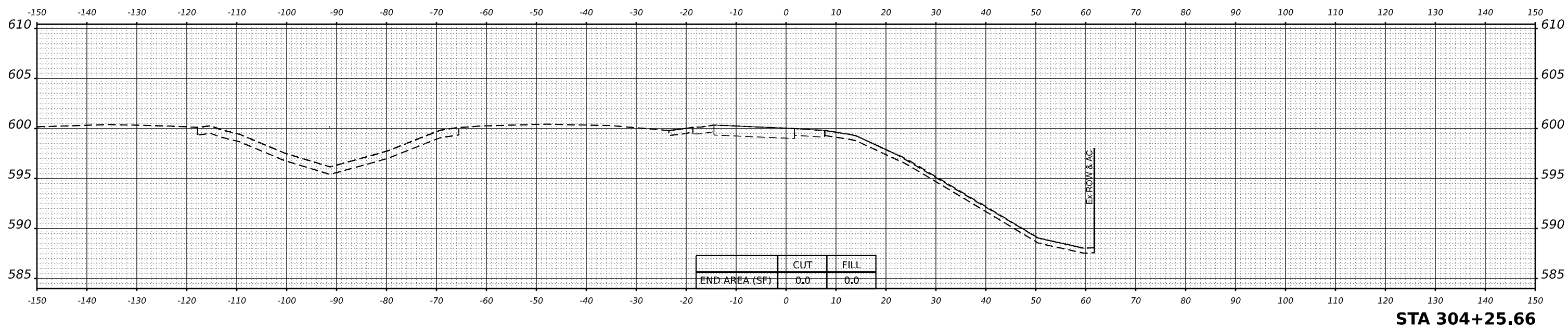
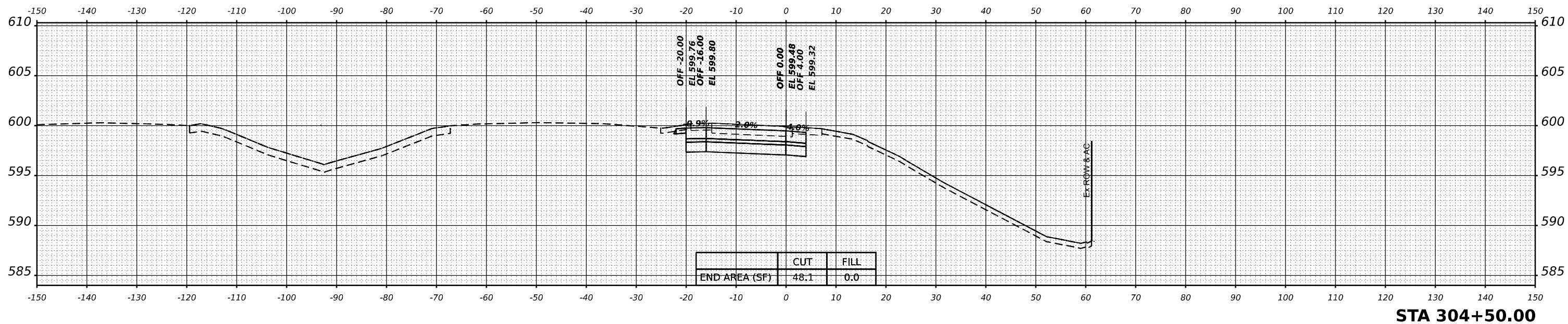
SCALE: 10:H 5:V SHEET 7 OF 7 SHEETS STA. 413+50.00 414+03.58

F.A.I. RTE.	SECTION	COUNTY	TOTAL SHEETS	SHEET NO.
I-80	FAI 80 21 STRUCTURE 6	WILL	898	862
CONTRACT NO. 62R27				
ILLINOIS		FED. AID PROJECT		

FINAL SURVEY NO.	SURVEYED	BY	DATE
	PLOTTED		
	TEMPLATE		
	AREAS		
	CHECKED		

ORIGINAL SURVEY NO.	SURVEYED	BY	DATE
	PLOTTED		
	TEMPLATE		
	AREAS		
	CHECKED		

MODEL: BL\BUT_B - 304+25.66 (Sheet)
FILE NAME: p:\transystems\paw\dev\transystems\paw\shared\documents\projects\2018\CH401\401.80022\02-TransSystems\CA\05-SD\02-Container\STAGE 2\01TSC-CONTAINER_PB_ROADWAY_HOUB_RAMP-S-S.dgn



TRANSYSTEMS

USER NAME = amkluver	DESIGNED - VLJ	REVISED -
	DRAWN - BAC	REVISED -
PLOT SCALE = 0.16666633 1/ in.	CHECKED - JMG	REVISED -
PLOT DATE = 6/23/2023	DATE - 6/26/23	REVISED -

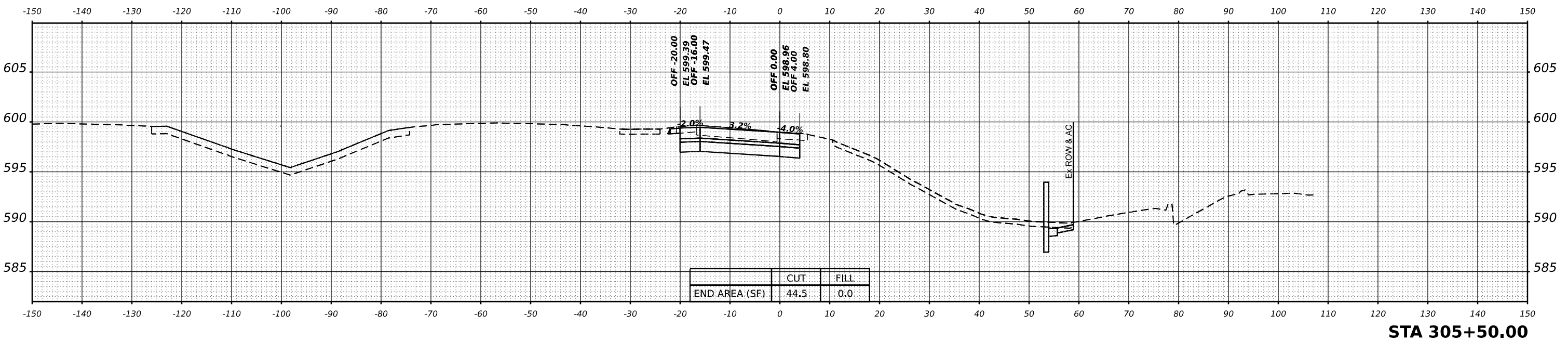
**STATE OF ILLINOIS
DEPARTMENT OF TRANSPORTATION**

**CROSS SECTIONS STAGE 2
HOUBOLT RAMP B**

SCALE: 10:H 5:V SHEET 1 OF 9 SHEETS STA. 304+25.66 304+50.00

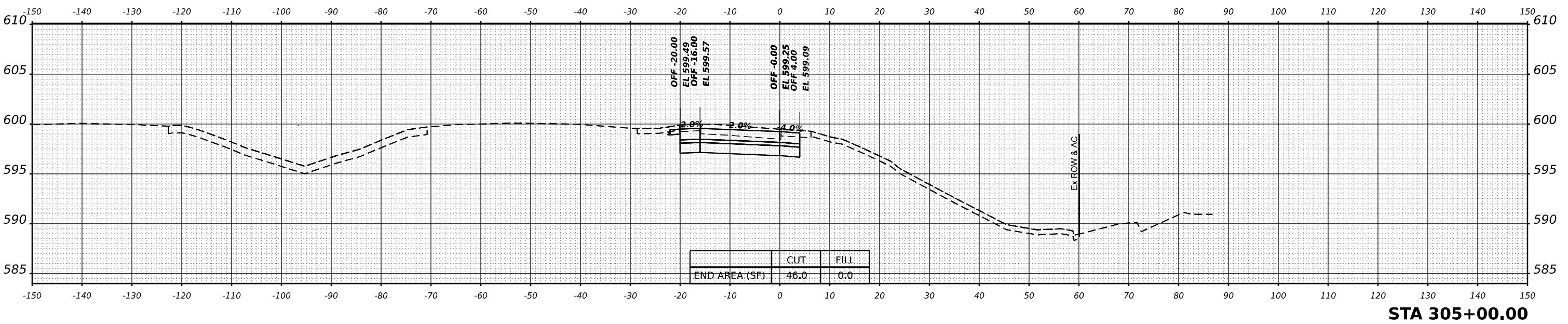
F.A.I. RTE.	SECTION	COUNTY	TOTAL SHEETS	SHEET NO.
I-80	FAI 80 21 STRUCTURE 6	WILL	898	863
			CONTRACT NO. 62R27	
		ILLINOIS	FED. AID PROJECT	

DATE	
BY	
SURVEYED	
PLOTTED	
TEMPLATE	
NOTE BOOK	
AREAS CHECKED	
NO.	



STA 305+50.00

DATE	
BY	
SURVEYED	
PLOTTED	
TEMPLATE	
NOTE BOOK	
AREAS CHECKED	
NO.	



STA 305+00.00



USER NAME = amkluver
 PLOT SCALE = 0.16666633 1/ in.
 PLOT DATE = 6/23/2023

DESIGNED - VLJ
 DRAWN - BAC
 CHECKED - JMG
 DATE - 6/26/23

REVISED -
 REVISED -
 REVISED -
 REVISED -

**STATE OF ILLINOIS
 DEPARTMENT OF TRANSPORTATION**

**CROSS SECTIONS STAGE 2
 HOUBOLT RAMP B**
 SCALE: 10:H 5:V SHEET 2 OF 9 SHEETS STA. 305+00.00 305+50.00

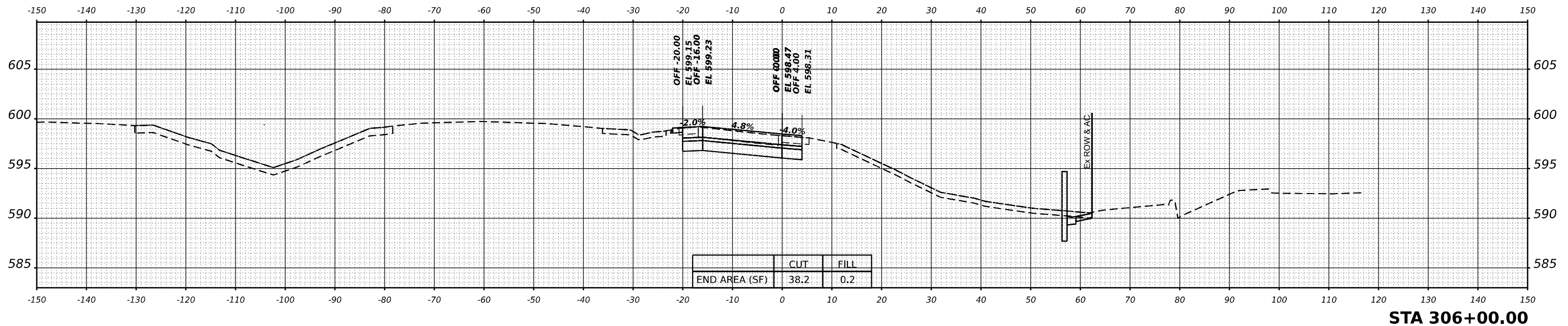
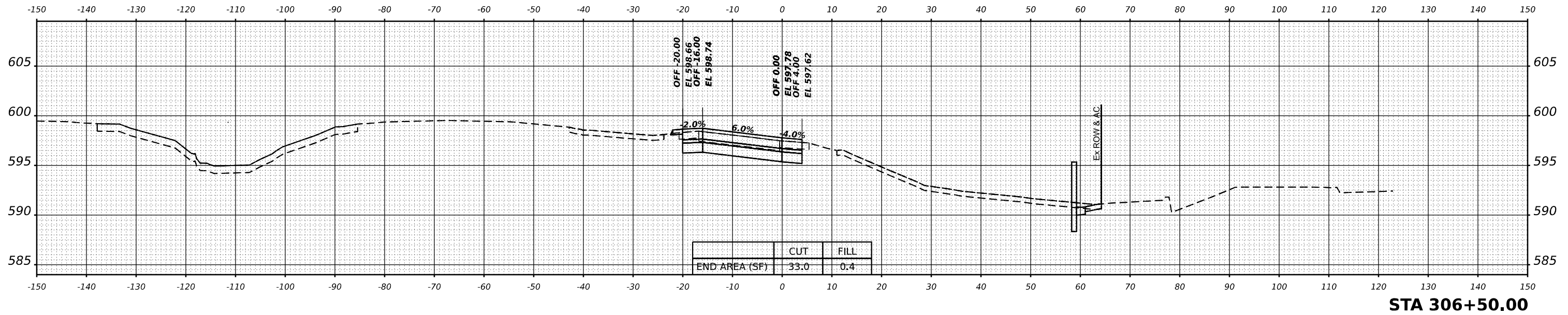
F.A.I. RTE.	SECTION	COUNTY	TOTAL SHEETS	SHEET NO.
I-80	FAI 80 21 STRUCTURE 6	WILL	898	864
CONTRACT NO. 62R27				
ILLINOIS FED. AID PROJECT				

MODEL: BLU\BIT_P - 305+00.00 (Sheet)
 FILE NAME: p:\transystems\p2\dev\transystems\p2\180022\02-Transystems\CA\0\5\2\02-Container\STAGE 2\01TSC-CONTAINER_PB_ROADWAY_HOU_RAMP-S2.dgn

FINAL SURVEY	SURVEYED	BY	DATE
NOTE BOOK	PLOTTED		
NO.	TEMPLATE		
	AREAS		
	CHECKED		

ORIGINAL SURVEY	SURVEYED	BY	DATE
NOTE BOOK	PLOTTED		
NO.	TEMPLATE		
	AREAS		
	CHECKED		

MODEL: BL\BUT_B - 306+00.00 (Sheet)
 FILE NAME: p:\transystems\p2\dev\transystems\p2\p2\stage 2\01TSC-Container\PS-ROADWAY_HOU_RAMP-S-S.dgn



TRANSYSTEMS

USER NAME = amkluver	DESIGNED - VLJ	REVISED -
PLOT SCALE = 0.16666633 1/In.	DRAWN - BAC	REVISED -
PLOT DATE = 6/23/2023	CHECKED - JMG	REVISED -
	DATE - 6/26/23	REVISED -

**STATE OF ILLINOIS
 DEPARTMENT OF TRANSPORTATION**

**CROSS SECTIONS STAGE 2
 HOUBOLT RAMP B**

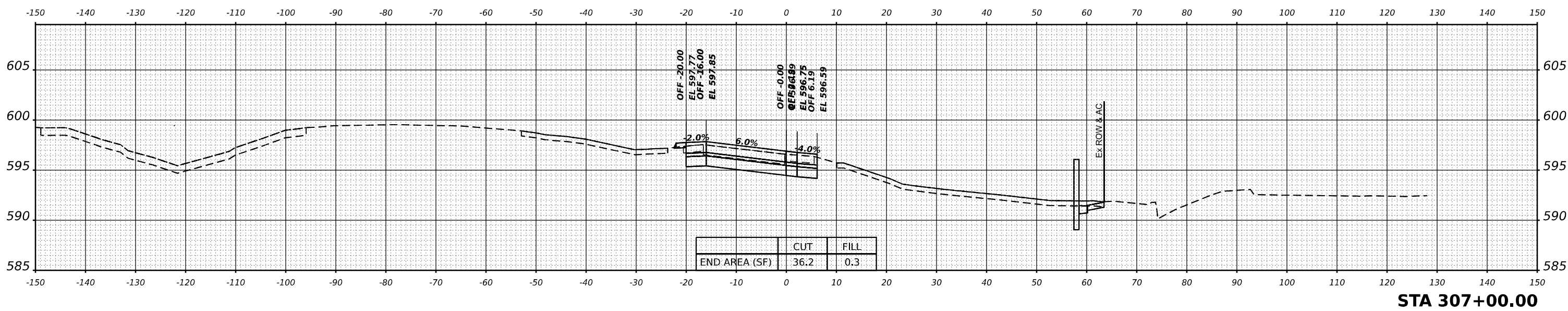
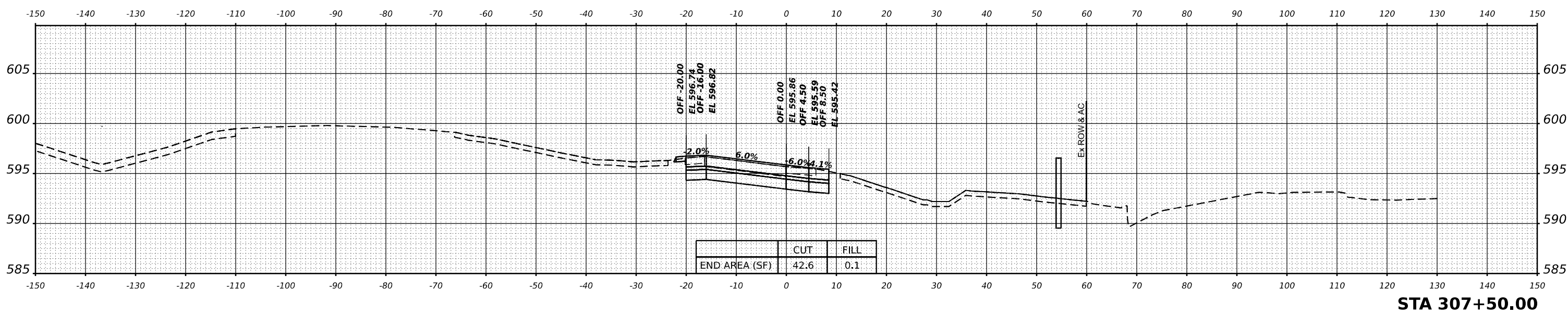
SCALE: 10:H 5:V SHEET 3 OF 9 SHEETS STA. 306+00.00 306+50.00

F.A.I. RTE.	SECTION	COUNTY	TOTAL SHEETS	SHEET NO.
I-80	FAI 80 21 STRUCTURE 6	WILL	898	865
			CONTRACT NO. 62R27	
		ILLINOIS	FED. AID PROJECT	

FINAL SURVEY NO.	SURVEYED	DATE
	PLOTTED	
	TEMPLATE	
	NOTE BOOK	
	AREAS CHECKED	

ORIGINAL SURVEY NO.	SURVEYED	DATE
	PLOTTED	
	TEMPLATE	
	NOTE BOOK	
	AREAS CHECKED	

MODEL: BLU\BTL_B - 307+00.00 (Sheet)
 FILE NAME: p:\transystems\p\baib\dev\transystems\p\baib\dev\Documents\Projects\2018\CH401\401.80022\02-Transystems\CA\015\02-Container\STAGE 2\01TSC-CONTAINER_P8-ROADWAY_HOUBOLT_RAMP-S-2.dgn

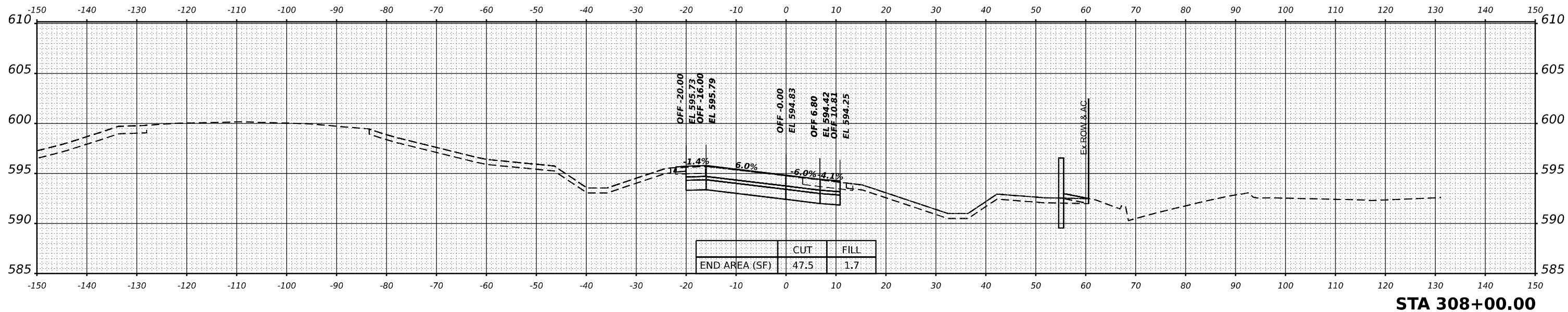
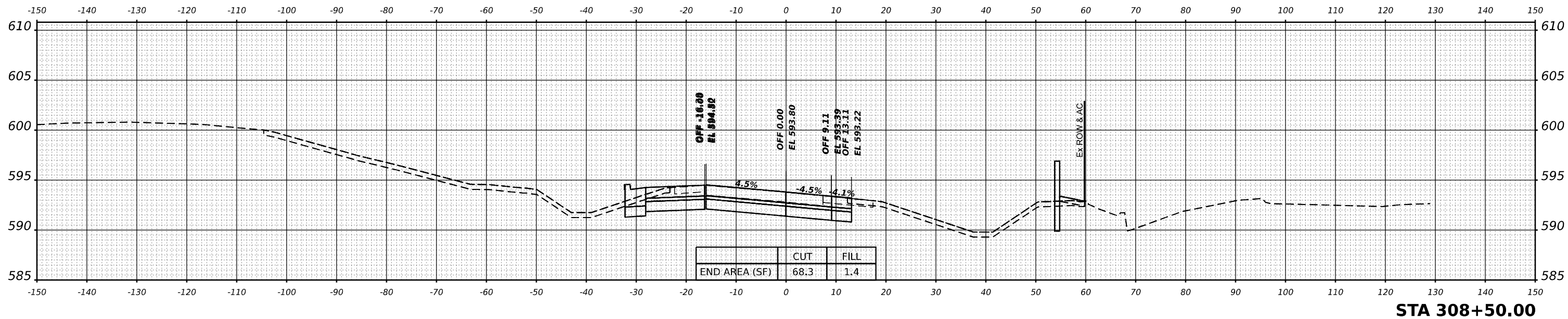


TRANSYSTEMS	USER NAME = amkluver	DESIGNED - VLJ	REVISED -	STATE OF ILLINOIS DEPARTMENT OF TRANSPORTATION	CROSS SECTIONS STAGE 2 HOUBOLT RAMP B			F.A.I. RTE. SECTION	COUNTY	TOTAL SHEETS	SHEET NO.
	PLOT SCALE = 0.16666633''/in.	CHECKED - JMG	REVISED -		I-80	FAI 80 21 STRUCTURE 6	WILL	898	866		
	PLOT DATE = 6/23/2023	DATE - 6/26/23	REVISED -		SCALE: 10:H 5:V	SHEET 4	OF 9 SHEETS	STA. 307+00.00	307+50.00	CONTRACT NO. 62R27	
										ILLINOIS	FED. AID PROJECT

DATE	
BY	
SURVEYED	
PLOTTED	
TEMPLATE	
NOTE BOOK	
AREAS	
AREAS CHECKED	
NO.	

DATE	
BY	
SURVEYED	
PLOTTED	
TEMPLATE	
NOTE BOOK	
AREAS	
AREAS CHECKED	
NO.	

MODEL: BL\BTL_P - 308+00.00 (Sheet)
 FILE NAME: p:\transystems\p\dev\transystems\p\based\documents\projects\2018\CH401\401.80022\02-Transystems\CA\0\5\2D\02-Container\STAGE 2\01TSC-CONTAINER_P8_ROADWAY_HOUB_RAMP-S&S.dgn



TRANSYSTEMS

USER NAME = amkluver	DESIGNED - VLJ	REVISED -
PLOT SCALE = 0.16666633 1/ in.	DRAWN - BAC	REVISED -
PLOT DATE = 6/23/2023	CHECKED - JMG	REVISED -
	DATE - 6/26/23	REVISED -

**STATE OF ILLINOIS
 DEPARTMENT OF TRANSPORTATION**

**CROSS SECTIONS STAGE 2
 HOUBOLT RAMP B**

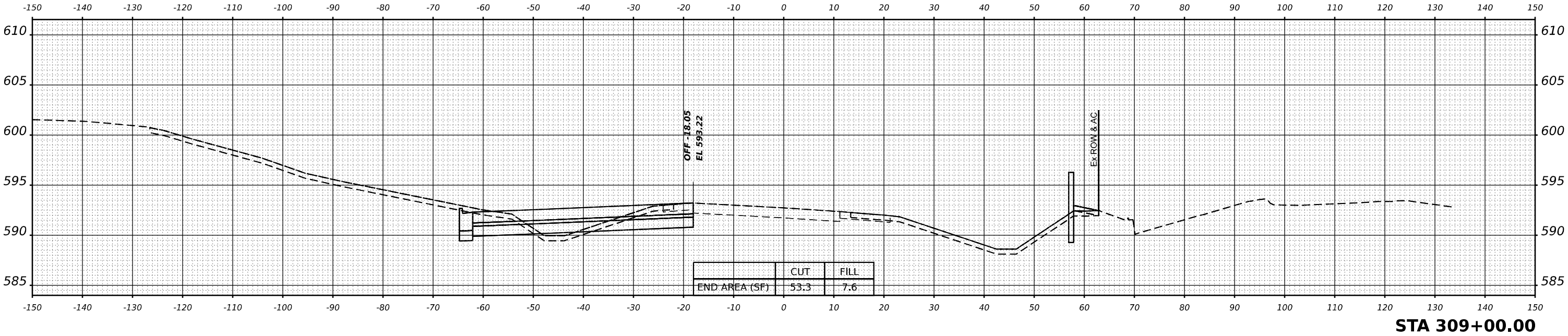
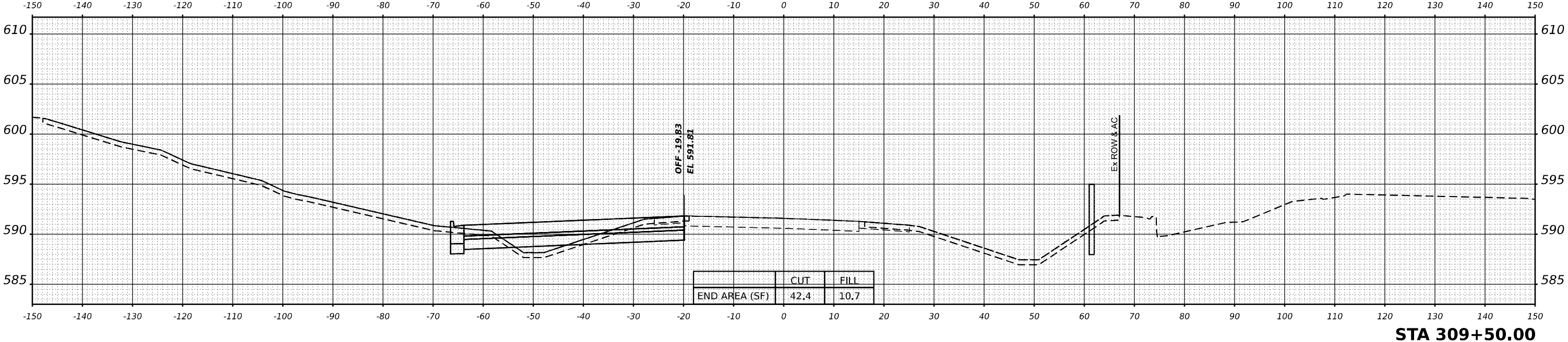
SCALE: 10:H 5:V SHEET 5 OF 9 SHEETS STA. 308+00.00 308+50.00

F.A.I. RTE.	SECTION	COUNTY	TOTAL SHEETS	SHEET NO.
I-80	FAI 80 21 STRUCTURE 6	WILL	898	867
			CONTRACT NO. 62R27	
		ILLINOIS	FED. AID PROJECT	

	DATE
BY	
FINAL SURVEY	SURVEYED
NOTE BOOK	PLOTTED
NO.	TEMPLATE
	AREAS
	CHECKED

	DATE
BY	
ORIGINAL SURVEY	SURVEYED
NOTE BOOK	PLOTTED
NO.	TEMPLATE
	AREAS
	CHECKED

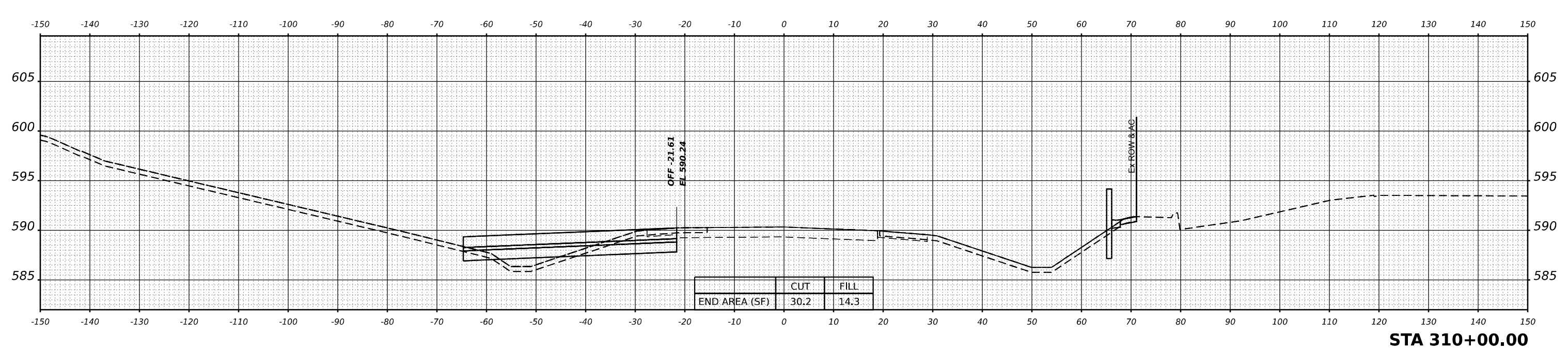
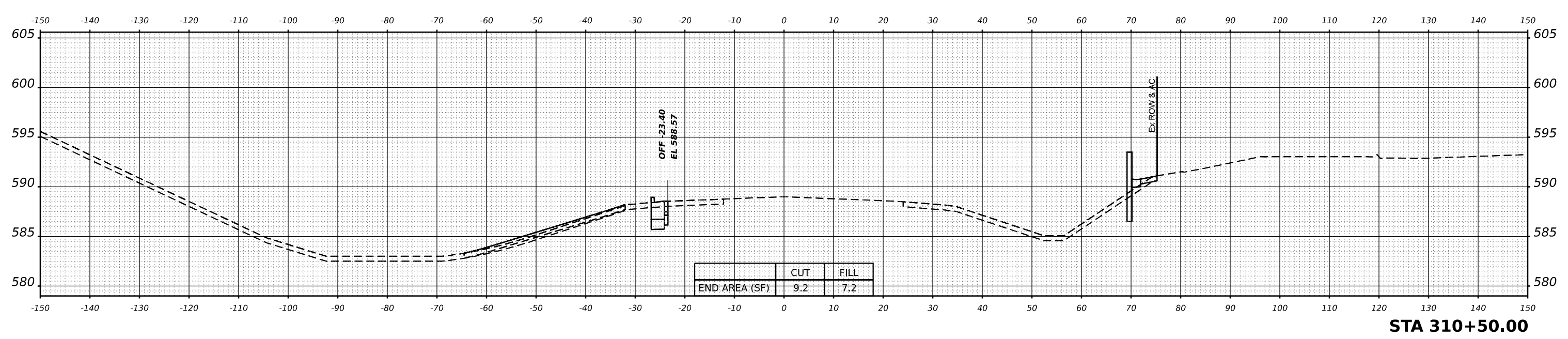
MODEL: BL\\BTL_B - 309+00.00 (Sheet)
FILE NAME: pwrtransystems\pwrdev\transystems\pwr\staged\documents\projects\2018\CH401401.80022\02-TransSystems\CA\0\5-SD\02-Container\STAGE 2\01TSC-CONTAINER_PB_ROADWAY_HOU_RAMP-S&S.dgn



FINAL SURVEY	SURVEYED	BY	DATE
NOTE BOOK	PLOTTED		
NO.	TEMPLATE		
	AREAS CHECKED		

ORIGINAL SURVEY	SURVEYED	BY	DATE
NOTE BOOK	PLOTTED		
NO.	TEMPLATE		
	AREAS CHECKED		

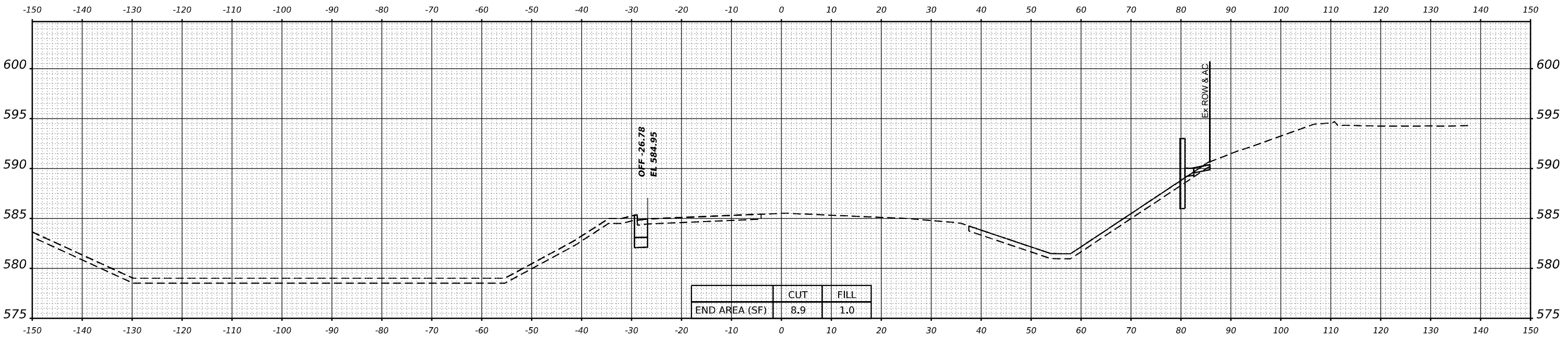
MODEL: BL\BTL_B - 310+00.00 (Sheet)
 FILE NAME: p:\transystems\p\dev\transystems\p\dev\Documents\Projects\2018\C4401401\80022\02-TransSystems\CAD\05-SD\02-Container\PAGE 2\01TSC-CONTAINER_PB_ROADWAY_HOU_RAMP-S&S.dgn



FINAL SURVEY	NO.
SURVEYED	
PLOTTED	
TEMPLATE	
AREAS	
CHECKED	
BY	
DATE	

ORIGINAL SURVEY	NO.
SURVEYED	
PLOTTED	
TEMPLATE	
AREAS	
CHECKED	
BY	
DATE	

MODEL: BLU\BLT_B - 311-79.45 (Sheet)
 FILE NAME: p:\transys\temp\dev\transys\corp\proj\posted\documents\projects\2018\CH401\401.8002\202\TransSystems\CA\0\5\0\2\02-Container\STAGE 2\DTSC-CONTAINER-PB-ROADWAY_HOU_RAMP-S&S.dgn



STA 311+79.45

TRANSYSTEMS

USER NAME	= amkluver	DESIGNED	- VLJ	REVISED	-
PLOT SCALE	= 0.16666633 1/ in.	DRAWN	- BAC	REVISED	-
PLOT DATE	= 6/23/2023	CHECKED	- JMG	REVISED	-
		DATE	- 6/26/23	REVISED	-

**STATE OF ILLINOIS
DEPARTMENT OF TRANSPORTATION**

**CROSS SECTIONS STAGE 2
HOUBOLT RAMP B**

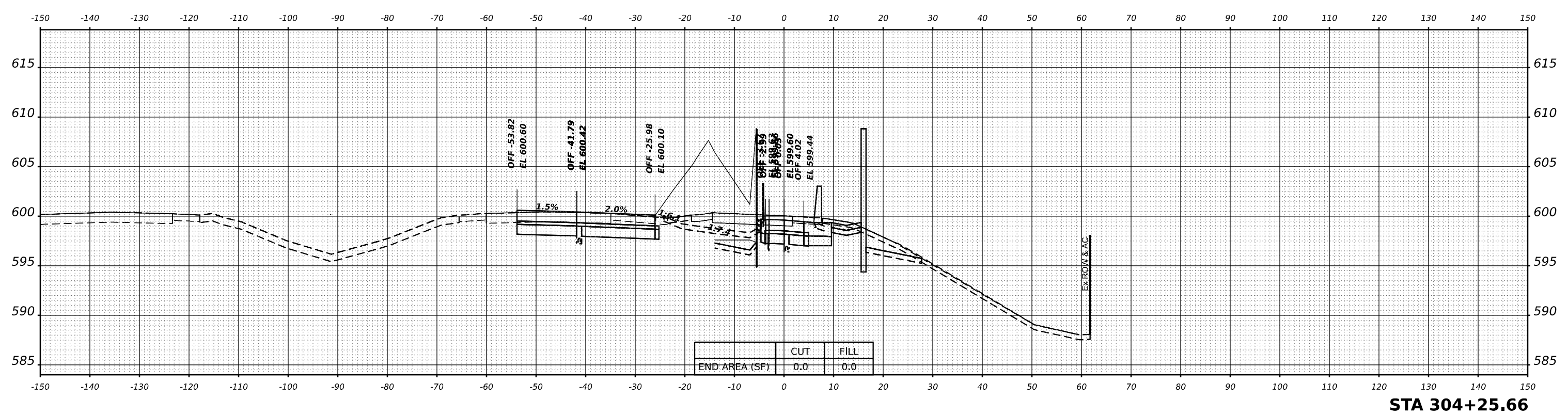
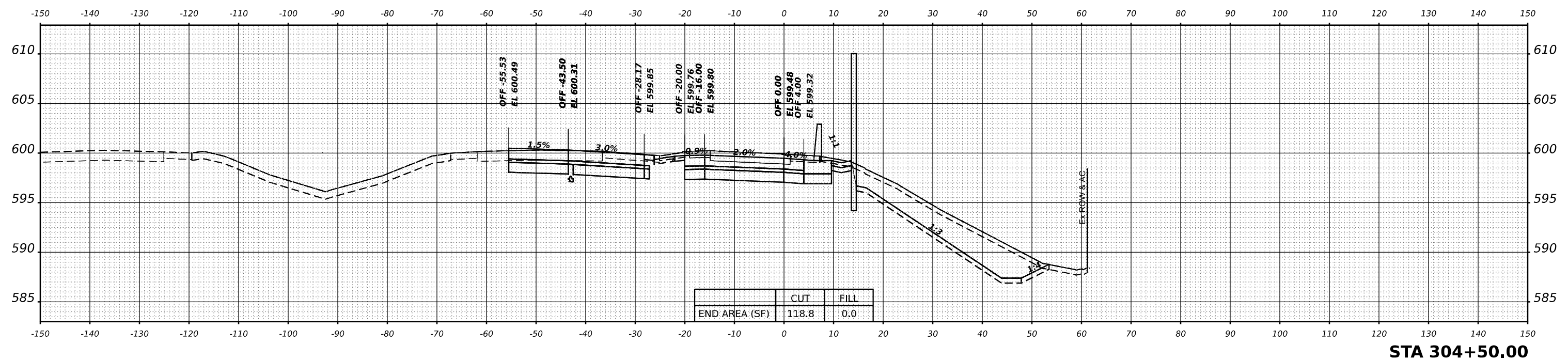
SCALE: 10:H 5:V SHEET 9 OF 9 SHEETS STA. 311+79.45

F.A.I. RTE.	SECTION	COUNTY	TOTAL SHEETS	SHEET NO.
I-80	FAI 80 21 STRUCTURE 6	WILL	898	871
CONTRACT NO. 62R27				
			ILLINOIS	FED. AID PROJECT

DATE	
BY	
FINAL SURVEY	SURVEYED
NOTE BOOK	PLOTTED
NO.	TEMPLATE
	AREAS
	CHECKED

DATE	
BY	
ORIGINAL SURVEY	SURVEYED
NOTE BOOK	PLOTTED
NO.	TEMPLATE
	AREAS
	CHECKED

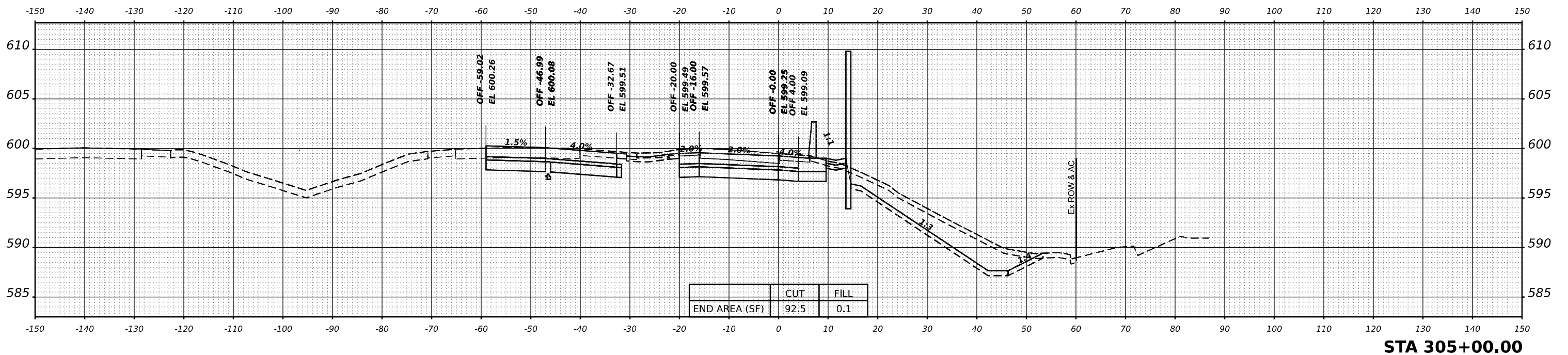
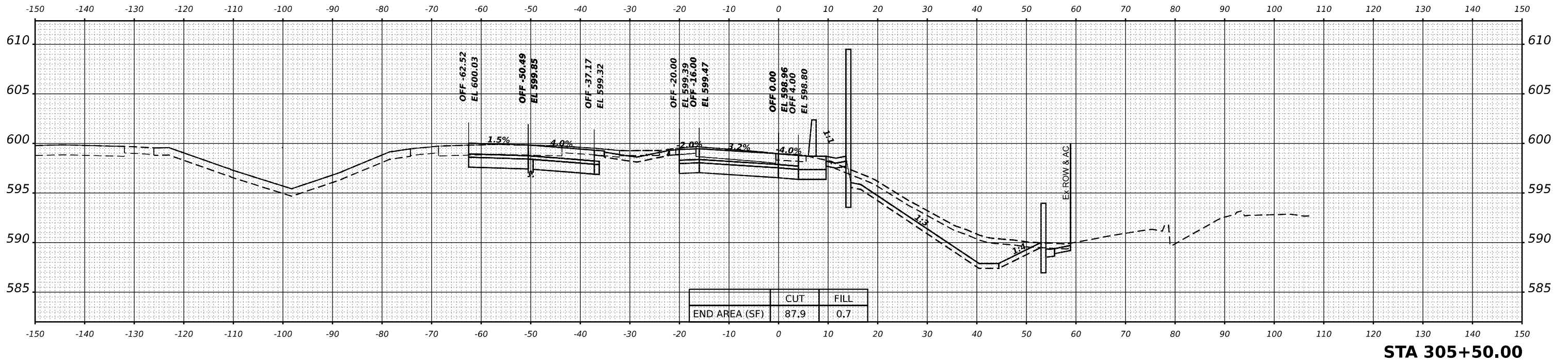
MODEL: BLU\BIT_p - 304+25.66 (Sheet)
 FILE NAME: p:\transystems\p\bitdev\transystems\p\bitdev\Documents\Projects\2018\C401\401.80022\02-TransSystems\CAD\05-D\02-Container\STAGE 3\01TSC-Container\RA-Roadway_RAMP-B-53.dgn



FINAL SURVEY	SURVEYED	BY	DATE
	PLOTTED		
NOTE BOOK	TEMPLATE		
	AREAS CHECKED		
NO.			

ORIGINAL SURVEY	SURVEYED	BY	DATE
	PLOTTED		
NOTE BOOK	TEMPLATE		
	AREAS CHECKED		
NO.			

MODEL: BL1\BIT_B - 305+00.00 (Sheet) FILE NAME: p:\transystems\p\d\dev\transystems\p\d\stage3\01\3-D\02-Container\STAGE 3 01\TSC-CONTAINER_P8_ROADWAY_RAMP-B53.dgn



USER NAME = amkluver	DESIGNED - VLJ	REVISED -
	DRAWN - BAC	REVISED -
PLOT SCALE = 0.16666633 1/ in.	CHECKED - JMG	REVISED -
PLOT DATE = 6/23/2023	DATE - 6/26/23	REVISED -

**STATE OF ILLINOIS
DEPARTMENT OF TRANSPORTATION**

**CROSS SECTIONS STAGE 3
HOUBOLT RAMP B**

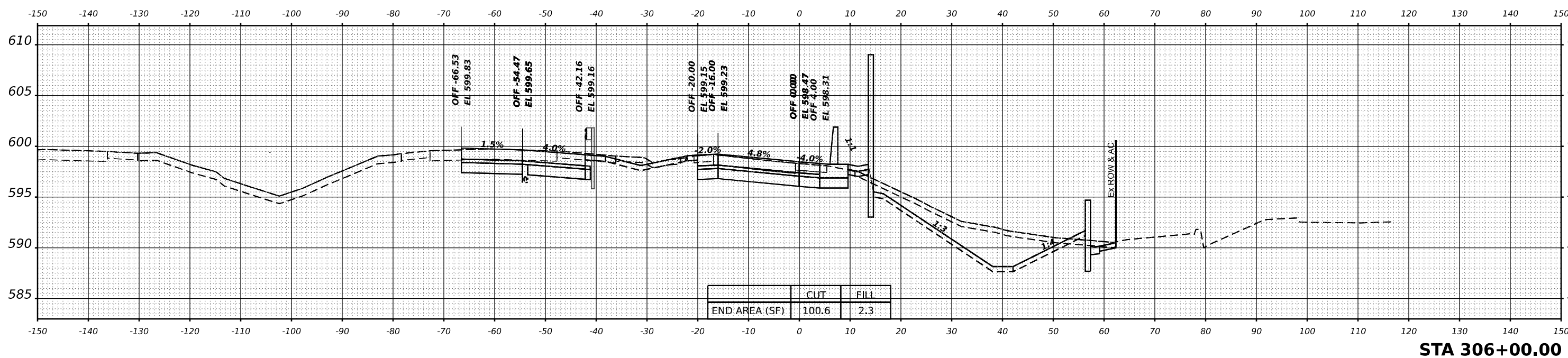
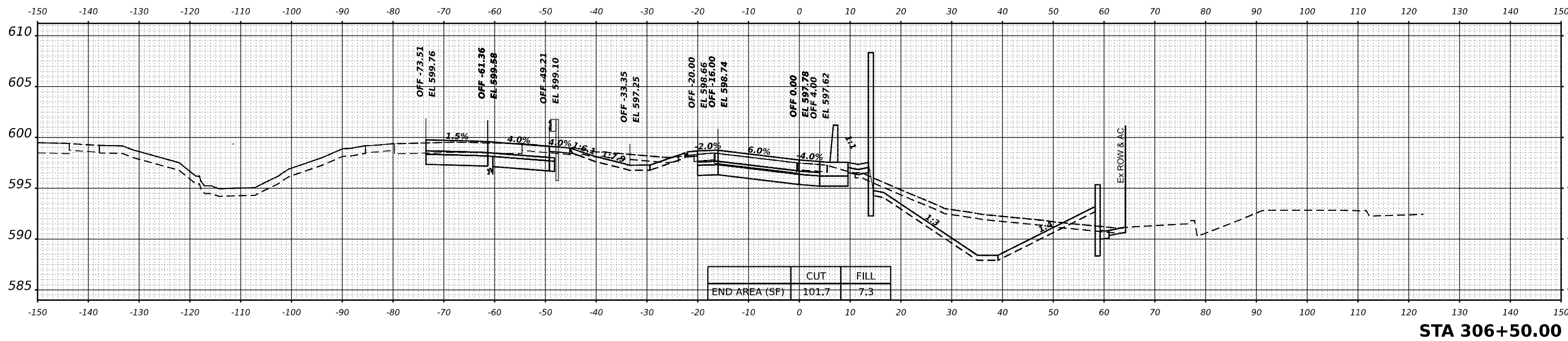
SCALE: 10:H 5:V SHEET 2 OF 9 SHEETS STA. 305+00.00 305+50.00

F.A.I. RTE.	SECTION	COUNTY	TOTAL SHEETS	SHEET NO.
I-80	FAI 80 21 STRUCTURE 6	WILL	898	873
CONTRACT NO. 62R27				
ILLINOIS	FED. AID PROJECT			

NO.	
NO. CHECKED	
AREAS	
TEMPLATE	
NOTED	
BY	
DATE	

NO.	
NO. CHECKED	
AREAS	
TEMPLATE	
NOTED	
BY	
DATE	

MODEL: BLU\BIT_0 - 306+00.00 (Sheet)
 FILE NAME: p:\transystems\pzd\dev\transystems\pzd\work\stage3\101TSC-CONTAINER_P0-ROADWAY_RAMP-S3.dgn



USER NAME	= amkluver
DESIGNED	- VLJ
DRAWN	- BAC
CHECKED	- JMG
DATE	- 6/26/23

REVISION	-
REVISION	-
REVISION	-
REVISION	-

**STATE OF ILLINOIS
DEPARTMENT OF TRANSPORTATION**

**CROSS SECTIONS STAGE 3
HOUBOLT RAMP B**

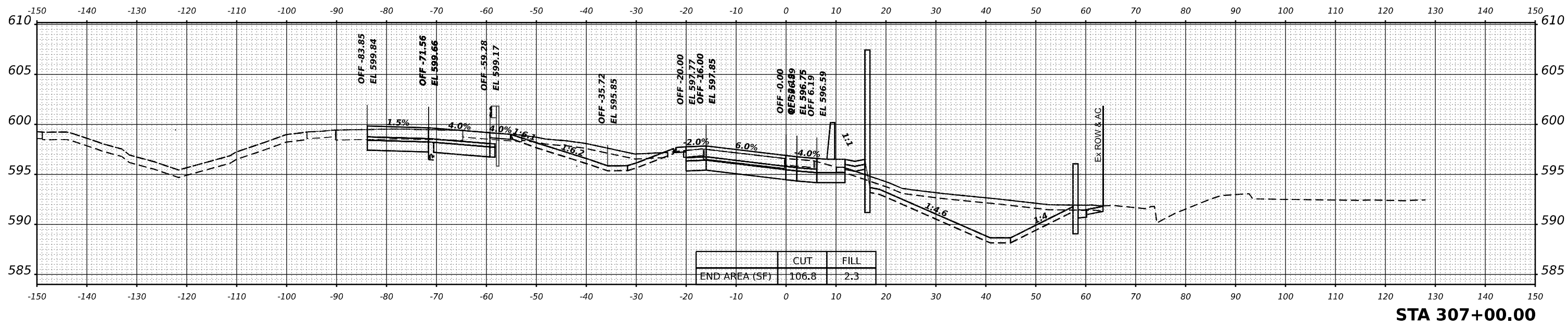
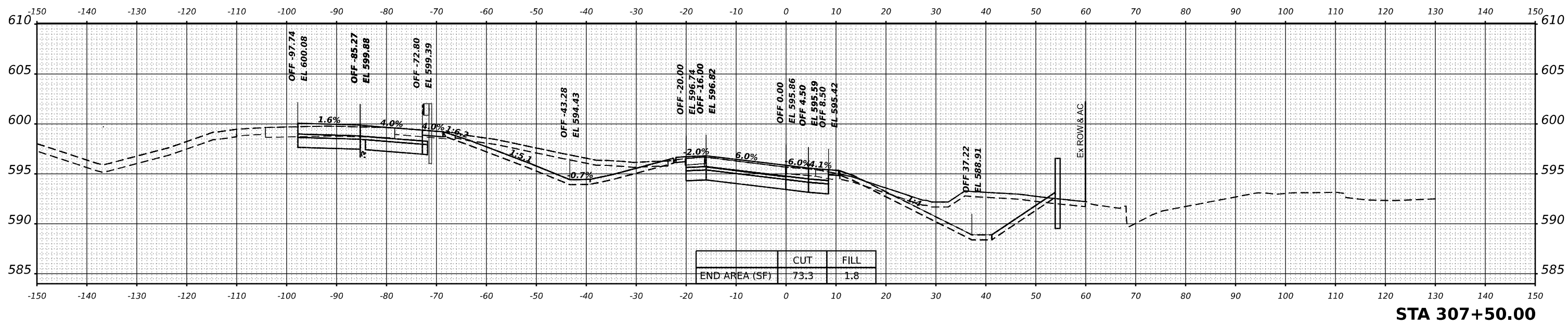
SCALE: 10:H 5:V SHEET 3 OF 9 SHEETS STA. 306+00.00 306+50.00

F.A.I. RTE.	SECTION	COUNTY	TOTAL SHEETS	SHEET NO.
I-80	FAI 80 21 STRUCTURE 6	WILL	898	874
				CONTRACT NO. 62R27
		ILLINOIS	FED. AID PROJECT	

DATE	
BY	
SURVEYED	
PLOTTED	
TEMPLATE	
NOTE BOOK	
AREAS CHECKED	
NO.	

DATE	
BY	
SURVEYED	
PLOTTED	
TEMPLATE	
NOTE BOOK	
AREAS CHECKED	
NO.	

MODEL: BL\BILT_B - 307+00.00 (Sheet)
 FILE NAME: p:\transystems\p\dev\transystems\p\dev\Documents\Projects\2018\C401\401180022\02-Transystems\CAD\05-3D\02-Container\STAGE 3\01TSC-CONTAINER_PB_ROADWAY_RAMPS-S3.dgn



TRANSYSTEMS

USER NAME = amkluver	DESIGNED - VLJ	REVISED -
PLOT SCALE = 0.16666633 1/ in.	DRAWN - BAC	REVISED -
PLOT DATE = 6/23/2023	CHECKED - JMG	REVISED -
	DATE - 6/26/23	REVISED -

**STATE OF ILLINOIS
DEPARTMENT OF TRANSPORTATION**

**CROSS SECTIONS STAGE 3
HOUBOLT RAMP B**

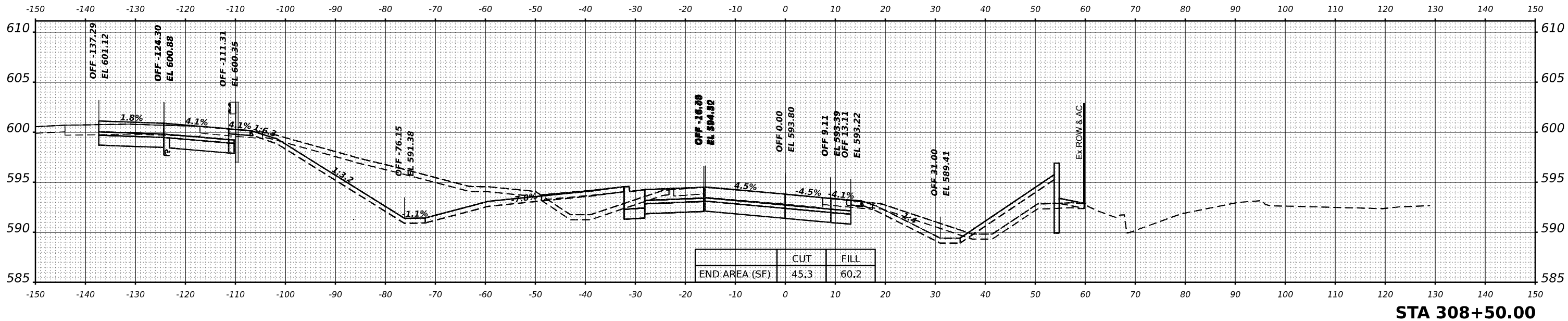
SCALE: 10:H 5:V SHEET 4 OF 9 SHEETS STA. 307+00.00 307+50.00

F.A.I. RTE.	SECTION	COUNTY	TOTAL SHEETS	SHEET NO.
I-80	FAI 80 21 STRUCTURE 6	WILL	898	875
				CONTRACT NO. 62R27
		ILLINOIS	FED. AID PROJECT	

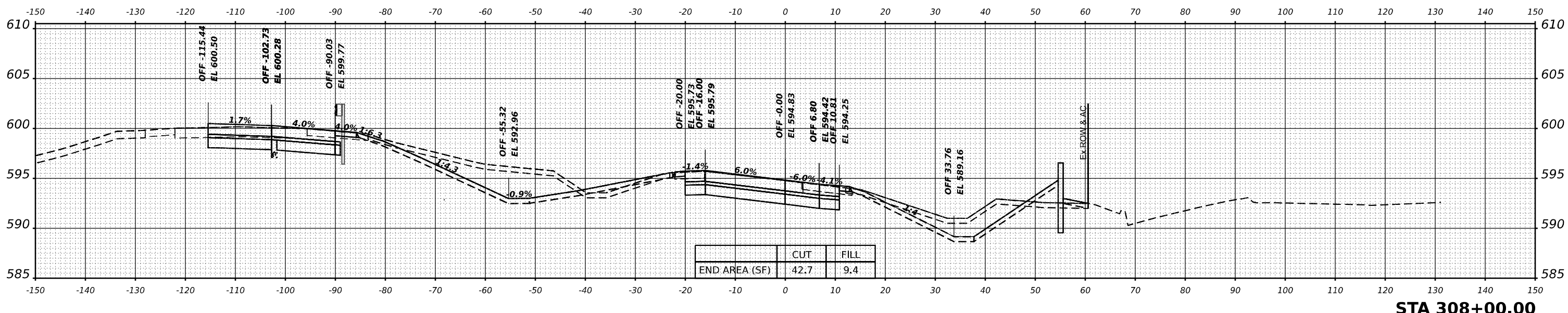
FINAL SURVEY NO.	SURVEYED	BY	DATE
NOTE BOOK	PLOTTED		
AREAS CHECKED	TEMPLATE		
	AREAS		

ORIGINAL SURVEY NO.	SURVEYED	BY	DATE
NOTE BOOK	PLOTTED		
AREAS CHECKED	TEMPLATE		
	AREAS		

MODEL: BL\BILT_B - 308+00.00 (Sheet)
 FILE NAME: p:\transystems\p\dev\transystems\p\dev\Documents\Projects-2018\C401\401.80022\02-TransSystems\CAD\05-SD\02-Container\STAGE 3\01TSC-CONTAINER_P8-ROADWAY_RAMP-S-3.dgn



STA 308+50.00



STA 308+00.00

TRANSYSTEMS

USER NAME = amkluver	DESIGNED - VLJ	REVISED -
PLOT SCALE = 0.16666633 1/16"	DRAWN - BAC	REVISED -
PLOT DATE = 6/23/2023	CHECKED - JMG	REVISED -
	DATE - 6/26/23	REVISED -

**STATE OF ILLINOIS
DEPARTMENT OF TRANSPORTATION**

**CROSS SECTIONS STAGE 3
HOUBOLT RAMP B**

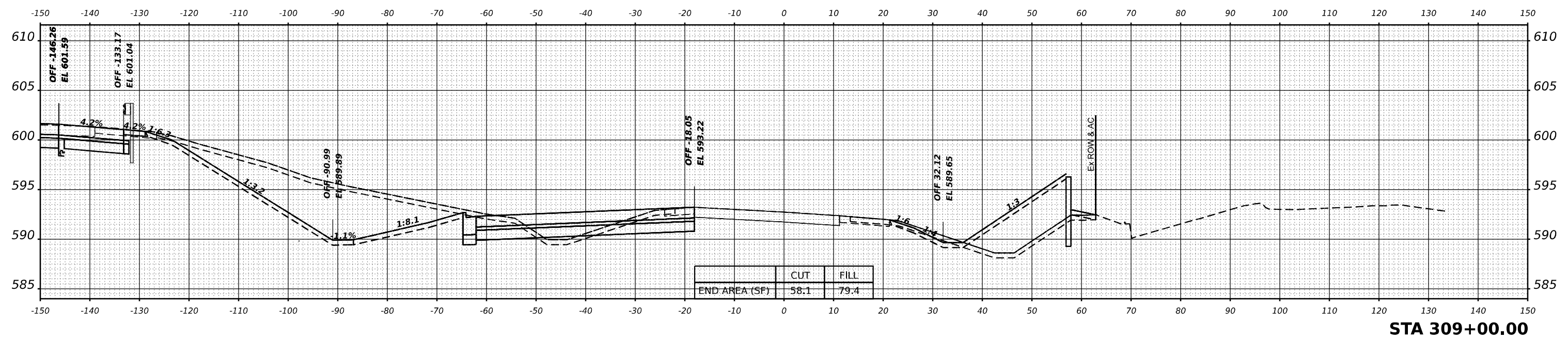
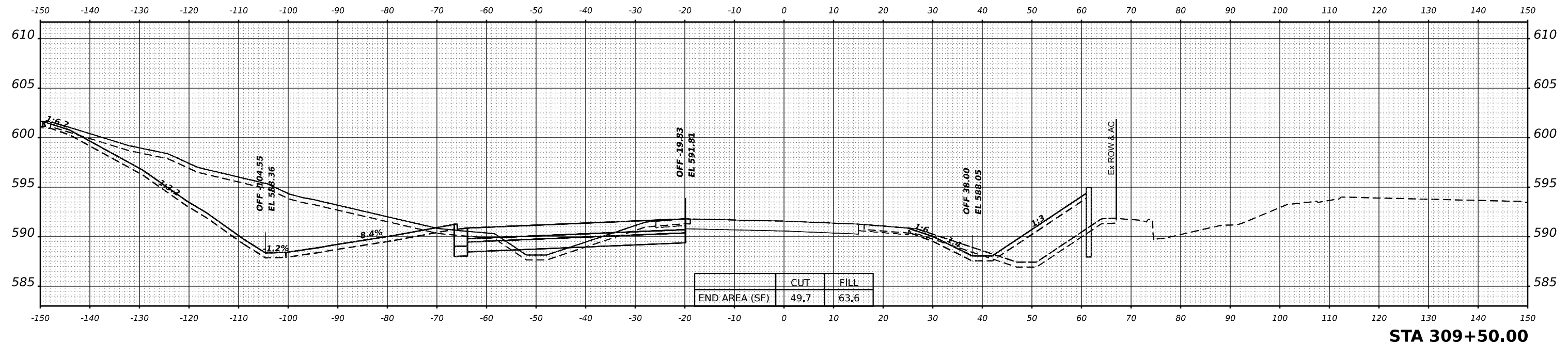
SCALE: 10:H 5:V SHEET 5 OF 9 SHEETS STA. 308+00.00 308+50.00

F.A.I. RTE.	SECTION	COUNTY	TOTAL SHEETS	SHEET NO.
I-80	FAI 80 21 STRUCTURE 6	WILL	898	876
CONTRACT NO. 62R27				
ILLINOIS		FED. AID PROJECT		

FINAL SURVEY NO.	SURVEYED	DATE
NOTE BOOK	PLOTTED	
AREAS CHECKED	TEMPLATE	
AREAS CHECKED	AREAS CHECKED	

ORIGINAL SURVEY NO.	SURVEYED	DATE
NOTE BOOK	PLOTTED	
AREAS CHECKED	TEMPLATE	
AREAS CHECKED	AREAS CHECKED	

MODEL: BL\BTL_B - 309+00.00 (Sheet)
 FILE NAME: p:\transystems\p\dev\transystems\p\dev\Documents\Projects\2018\C40140118002202\TransSystems\CAD\05-3D\02-Container\STAGE 3\01TSC-CONTAINER_P8-ROADWAY_RAMP-B3.dgn

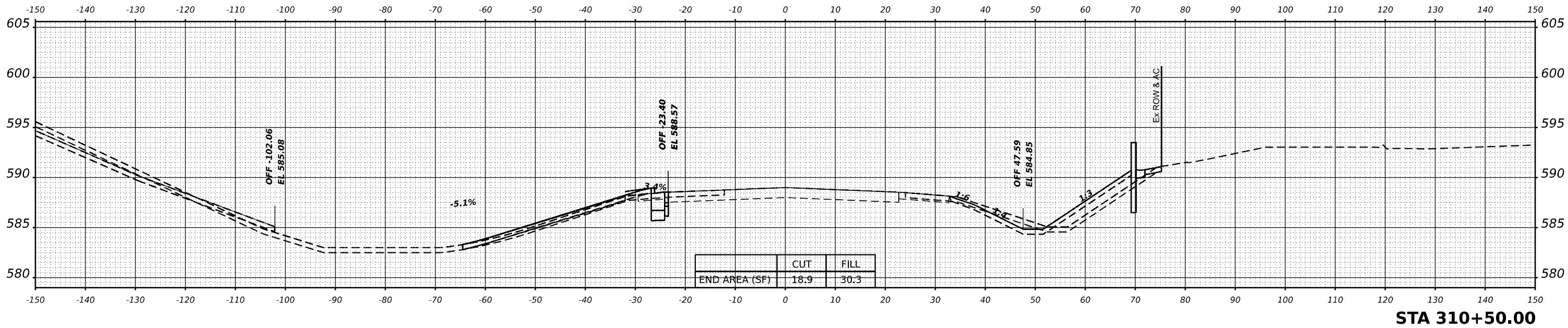


TRANSYSTEMS	USER NAME = amkluver	DESIGNED - VLJ	REVISED -	STATE OF ILLINOIS DEPARTMENT OF TRANSPORTATION	CROSS SECTIONS STAGE 3 HOUBOLT RAMP B			F.A.I. RTE. I-80	SECTION FAI 80 21 STRUCTURE 6	COUNTY WILL	TOTAL SHEETS 898	SHEET NO. 877
	PLOT SCALE = 0.16666633 1/ in.	CHECKED - JMG	REVISED -		SCALE: 10:H 5:V	SHEET 6	OF 9 SHEETS	STA. 309+00.00	309+50.00	CONTRACT NO. 62R27		
	PLOT DATE = 6/23/2023	DATE - 6/26/23	REVISED -		ILLINOIS FED. AID PROJECT							

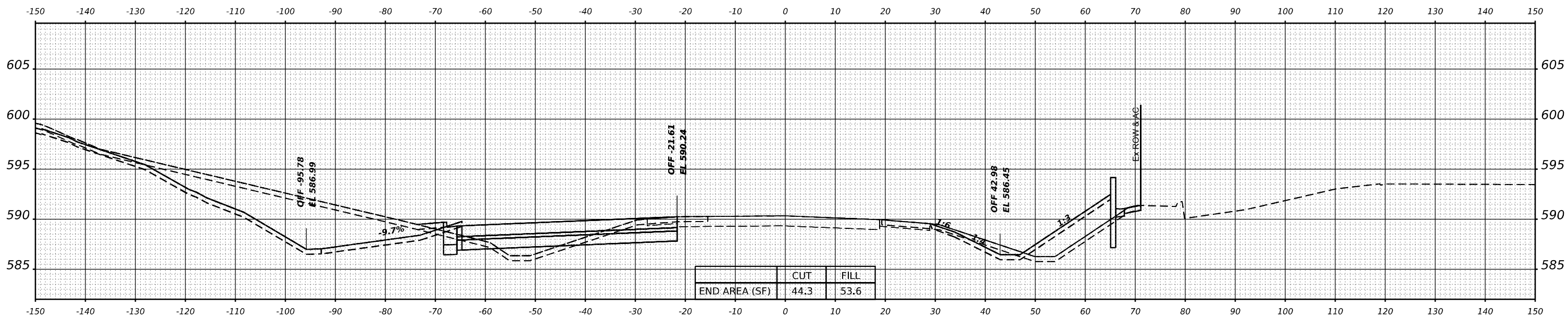
FINAL SURVEY NO.	SURVEYED	BY	DATE
NOTE BOOK	PLOTTED		
AREAS CHECKED	TEMPLATE		
	AREAS		
	CHECKED		

ORIGINAL SURVEY NO.	SURVEYED	BY	DATE
NOTE BOOK	PLOTTED		
AREAS CHECKED	TEMPLATE		
	AREAS		
	CHECKED		

MODEL: BL\BIB\B - 310+00.00 (Sheet)
 FILE NAME: p:\transystems\p\dev\transystems\p\dev\Documents\Projects\2018\C4401401\80022\02-TransSystems\CAD\05-SD\02-Container\PAGE 3\01TSC-CONTAINER_PB_ROADWAY_RAMP-B-53.dgn



STA 310+50.00



STA 310+00.00

TRANSYSTEMS

USER NAME	= amkluver	DESIGNED	- VLJ	REVISED	-
PLOT SCALE	= 0.16666633 1/ in.	DRAWN	- BAC	REVISED	-
PLOT DATE	= 6/23/2023	CHECKED	- JMG	REVISED	-
		DATE	- 6/26/23	REVISED	-

**STATE OF ILLINOIS
DEPARTMENT OF TRANSPORTATION**

**CROSS SECTIONS STAGE 3
HOUBOLT RAMP B**

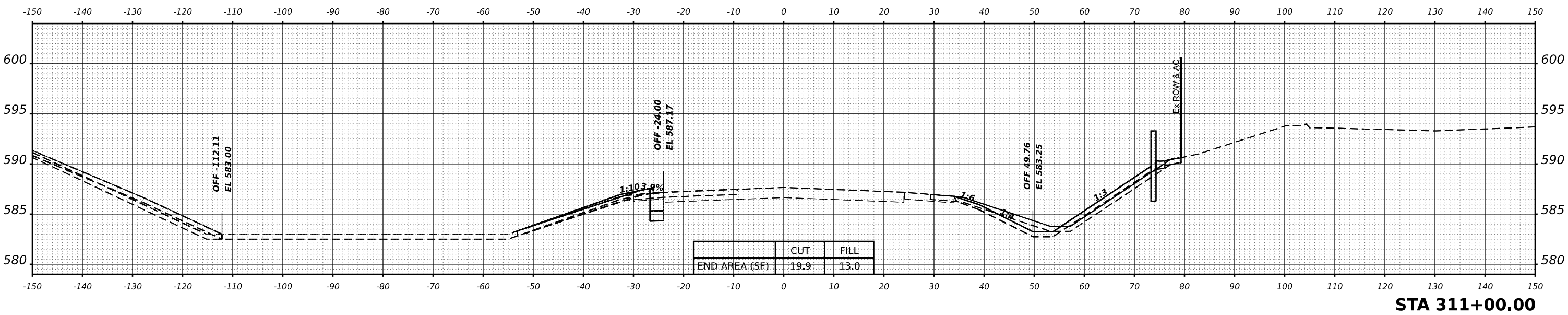
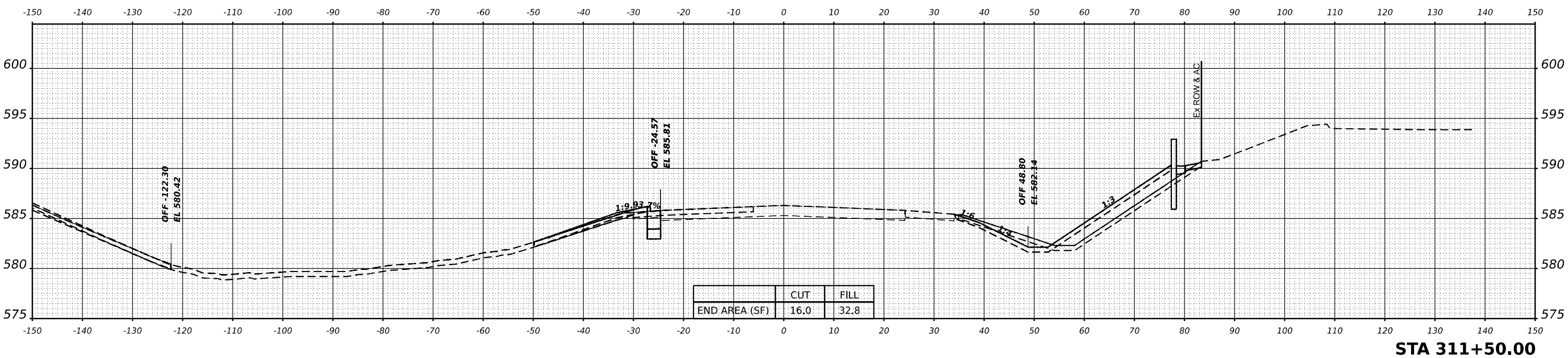
SCALE: 10:H 5:V SHEET 7 OF 9 SHEETS STA. 310+00.00 310+50.00

F.A.I. RTE.	SECTION	COUNTY	TOTAL SHEETS	SHEET NO.
I-80	FAI 80 21 STRUCTURE 6	WILL	898	878
			CONTRACT NO. 62R27	
		ILLINOIS	FED. AID PROJECT	

FINAL SURVEY NO.	SURVEYED	DATE
NOTE BOOK	PLOTTED	
	TEMPLATE	
	AREAS	
	CHECKED	

ORIGINAL SURVEY NO.	SURVEYED	DATE
NOTE BOOK	PLOTTED	
	TEMPLATE	
	AREAS	
	CHECKED	

MODEL: BLU\BUT_B - 311-00.00 (Sheet)
 FILE NAME: p:\transystems\p\dev\transystems\p\stage3\stage3\0115C-CONTAINER_P3-ROADWAY_RAMP-B-53.dgn



USER NAME	= amkluver	DESIGNED	- VLJ	REVISED	-
PLOT SCALE	= 0.16666633 1/16 in.	DRAWN	- BAC	REVISED	-
PLOT DATE	= 6/23/2023	CHECKED	- JMG	REVISED	-
		DATE	- 6/26/23	REVISED	-

**STATE OF ILLINOIS
DEPARTMENT OF TRANSPORTATION**

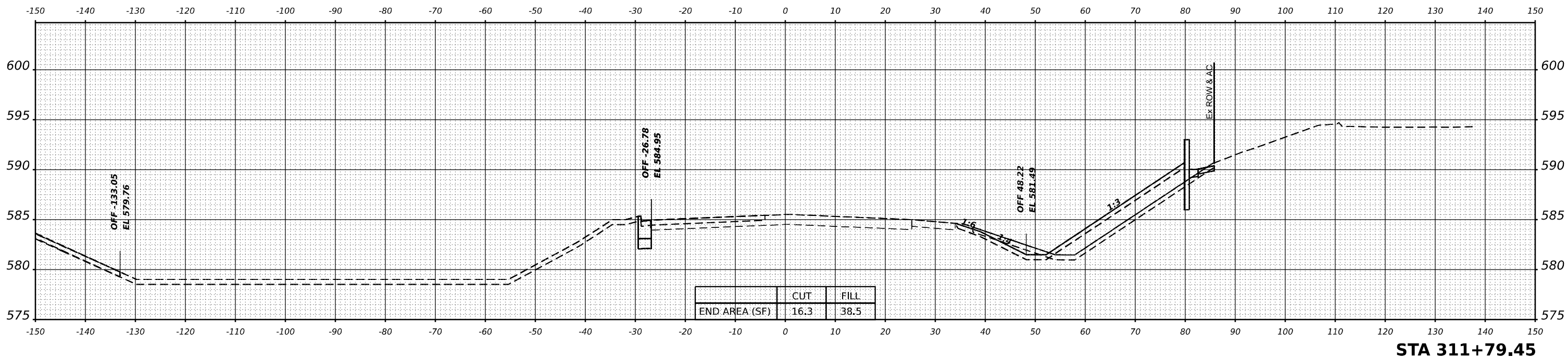
CROSS SECTIONS STAGE 3 HOUBOLT RAMP B					
SCALE: 10:H 5:V	SHEET 8	OF 9 SHEETS	STA. 311+00.00	311+50.00	

F.A.I. RTE.	SECTION	COUNTY	TOTAL SHEETS	SHEET NO.
I-80	FAI 80 21 STRUCTURE 6	WILL	898	879
CONTRACT NO. 62R27				
ILLINOIS		FED. AID PROJECT		

NO.	NO.
AREAS CHECKED	AREAS CHECKED
TEMPLATE	TEMPLATE
NOTE BOOK	NOTE BOOK
PLOTTED	PLOTTED
SURVEYED	SURVEYED
BY	BY
DATE	DATE

NO.	NO.
AREAS CHECKED	AREAS CHECKED
TEMPLATE	TEMPLATE
NOTE BOOK	NOTE BOOK
PLOTTED	PLOTTED
SURVEYED	SURVEYED
BY	BY
DATE	DATE

MODEL: BL\BUT_B - 311+79.45 (Sheet)
 FILE NAME: p:\transystems\p\dev\transystems\p\h\h\h\Documents\Projects\2018\CH401\401\80022\02\TransSystems\CA\0\5\0\0\0\2\Container\STAGE 3\01TSC-CONTAINER_P8-ROADWAY_RAMP-B-S3.dgn



	CUT	FILL
END AREA (SF)	16.3	38.5

STA 311+79.45



USER NAME = amkluver	DESIGNED - VLJ	REVISED -
PLOT SCALE = 0.16666633 1/ in.	DRAWN - BAC	REVISED -
PLOT DATE = 6/23/2023	CHECKED - JMG	REVISED -
	DATE - 6/26/23	REVISED -

**STATE OF ILLINOIS
DEPARTMENT OF TRANSPORTATION**

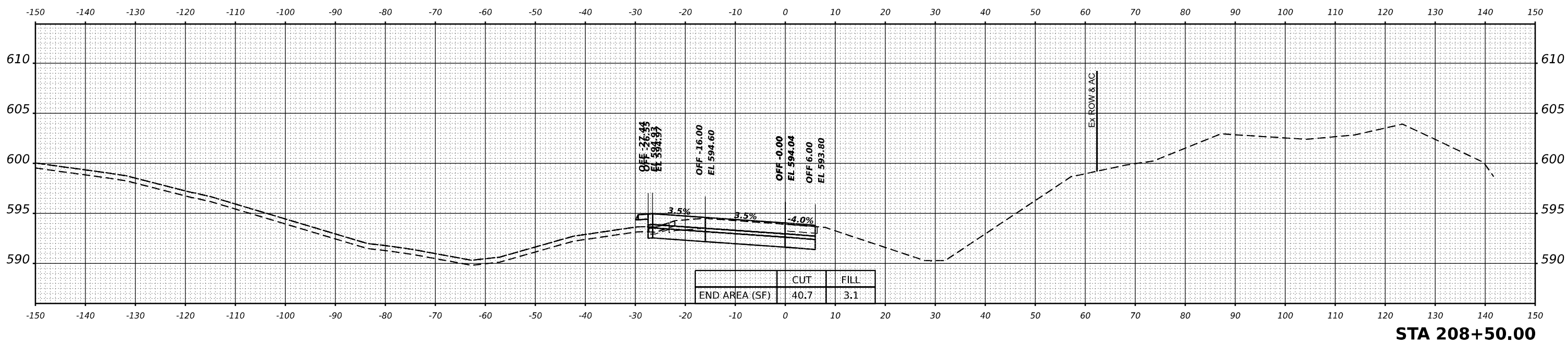
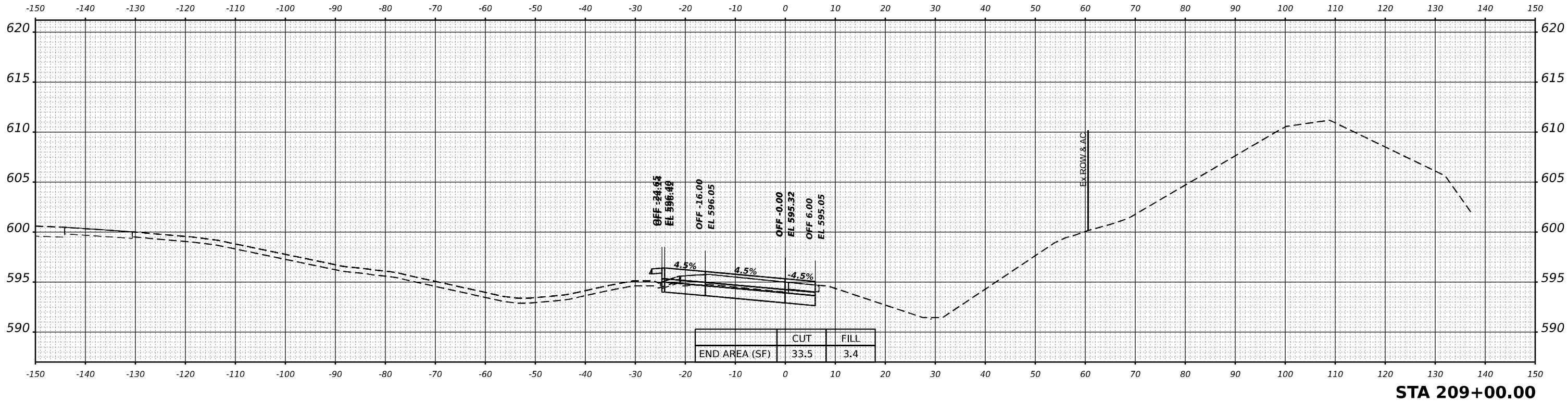
CROSS SECTIONS STAGE 3 HOUBOLT RAMP B			
SCALE: 10:H 5:V	SHEET 9	OF 9 SHEETS	STA. 311+79.45

F.A.I. RTE.	SECTION	COUNTY	TOTAL SHEETS	SHEET NO.
I-80	FAI 80 21 STRUCTURE 6	WILL	898	880
			CONTRACT NO. 62R27	
		ILLINOIS	FED. AID PROJECT	

FINAL SURVEY NO.	SURVEYED	DATE
	PLOTTED	
	TEMPLATE	
	AREAS	
	CHECKED	

MODEL: BL_Plan_IBLC_C - 208-50.00 (Sheet)
 FILE NAME: p:\transystems\hobart\pwr\based\documents\projects\2018\C-401\401.180022\02-TransSystems\CA\03-SD\02-Container\STAGE 2\DT15C-Container\PB_ROADWAY_HOU_RAMP-C-53.dwg

ORIGINAL SURVEY NO.	SURVEYED	DATE
	PLOTTED	
	TEMPLATE	
	AREAS	
	CHECKED	



USER NAME = amkluver	DESIGNED - VLJ	REVISED -
	DRAWN - BAC	REVISED -
PLOT SCALE = 0.16666633 1/16"	CHECKED - JMG	REVISED -
PLOT DATE = 6/23/2023	DATE - 6/26/23	REVISED -

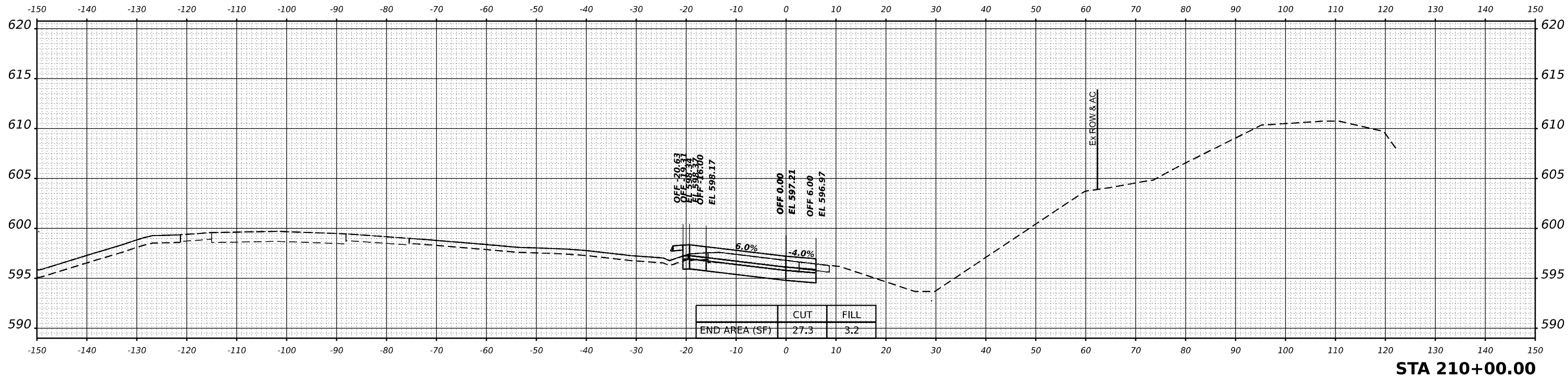
**STATE OF ILLINOIS
DEPARTMENT OF TRANSPORTATION**

**CROSS SECTIONS STAGE 2
HOUBOLT RAMP C**

SCALE: 10:H 5:V SHEET 1 OF 4 SHEETS STA. 208+50.00 209+00.00

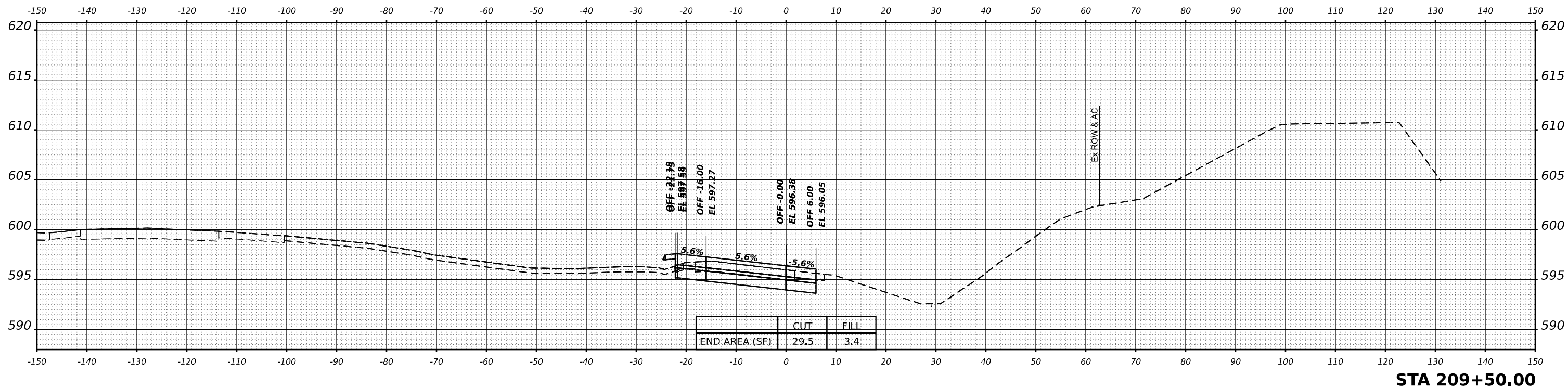
F.A.I. RTE.	SECTION	COUNTY	TOTAL SHEETS	SHEET NO.
I-80	FAI 80 21 STRUCTURE 6	WILL	898	881
			CONTRACT NO. 62R27	
ILLINOIS		FED. AID PROJECT		

DATE	
BY	
FINISHED	
SURVEY	
PLOTTED	
TEMPLATE	
NOTE BOOK	
AREAS CHECKED	
NO.	



STA 210+00.00

DATE	
BY	
FINISHED	
SURVEY	
PLOTTED	
TEMPLATE	
NOTE BOOK	
AREAS CHECKED	
NO.	



STA 209+50.00

TRANSYSTEMS

USER NAME	= amkluver
DESIGNED	- VLJ
DRAWN	- BAC
CHECKED	- JMG
DATE	- 6/26/23
PLOT SCALE	= 0.16666633 1/ in.
PLOT DATE	= 6/23/2023

REVISED	-
REVISED	-
REVISED	-
REVISED	-

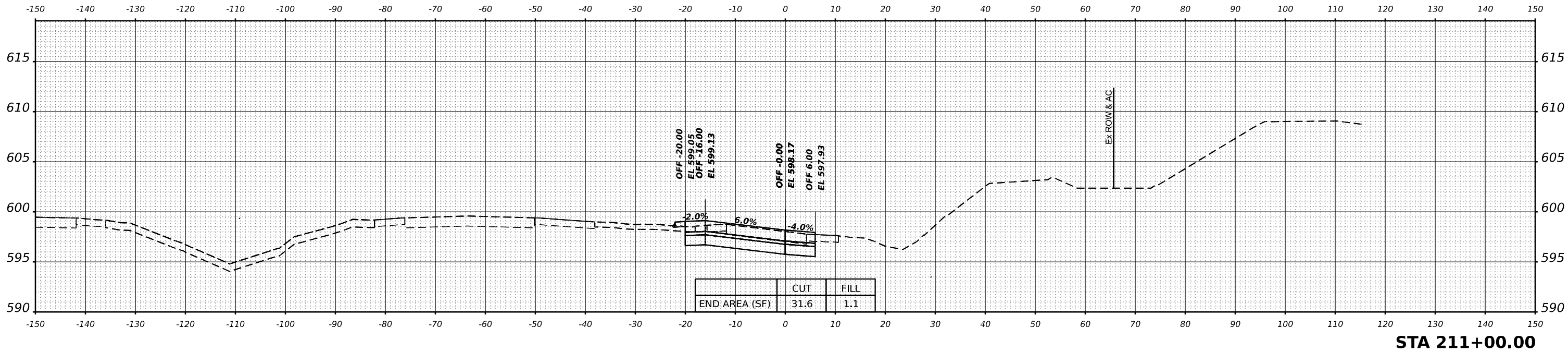
**STATE OF ILLINOIS
DEPARTMENT OF TRANSPORTATION**

**CROSS SECTIONS STAGE 2
HOUBOLT RAMP C**

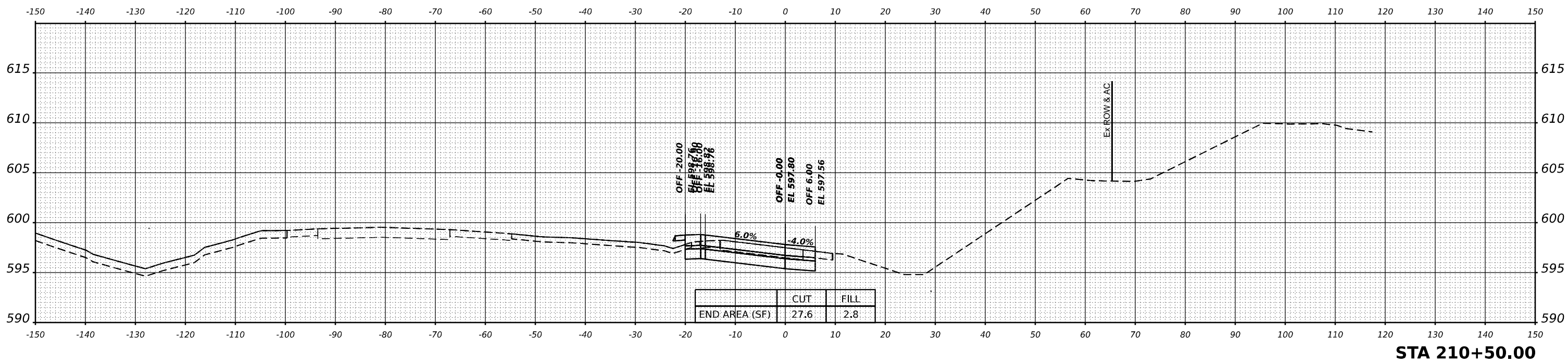
SCALE: 10:H 5:V SHEET 2 OF 4 SHEETS STA. 209+50.00 210+00.00

F.A.I. RTE.	SECTION	COUNTY	TOTAL SHEETS	SHEET NO.
I-80	FAI 80 21 STRUCTURE 6	WILL	898	882
			CONTRACT NO. 62R27	
		ILLINOIS	FED. AID PROJECT	

FINAL SURVEY NO.	SURVEYED	PLOTTED	DATE
AREAS CHECKED			



ORIGINAL SURVEY NO.	SURVEYED	PLOTTED	DATE
AREAS CHECKED			



MODEL: BL_RU_IBL_C_210-50.00 (Sheet)
 FILE NAME: p:\transystems\p\dev\transystems\p\dev\transystems\p\dev\Documents\Projects_2018\CH401\401_180022\02-TransSystems\CA\015-20\02-Container\STAGE 2\015-C-Container\PS-ROADWAY_HOUB_RAMP-C-S2.dwg

TRANSYSTEMS

USER NAME = amkluver	DESIGNED - VLJ	REVISED -
PLOT SCALE = 0.16666633 1/ in.	DRAWN - BAC	REVISED -
PLOT DATE = 6/23/2023	CHECKED - JMG	REVISED -
	DATE - 6/26/23	REVISED -

**STATE OF ILLINOIS
DEPARTMENT OF TRANSPORTATION**

**CROSS SECTIONS STAGE 2
HOUBOLT RAMP C**

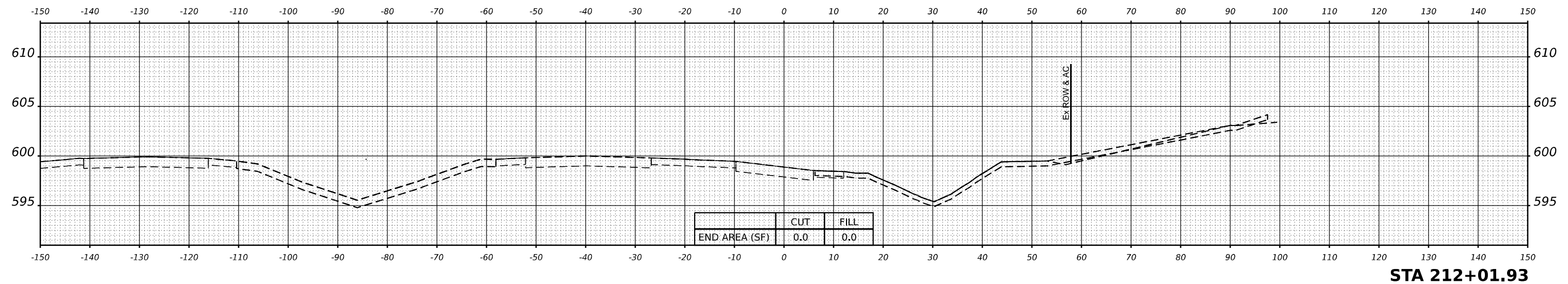
SCALE: 10:H 5:V SHEET 3 OF 4 SHEETS STA. 210+50.00 211+00.00

F.A.I. RTE.	SECTION	COUNTY	TOTAL SHEETS	SHEET NO.
I-80	FAI 80 21 STRUCTURE 6	WILL	898	883
CONTRACT NO. 62R27				
ILLINOIS FED. AID PROJECT				

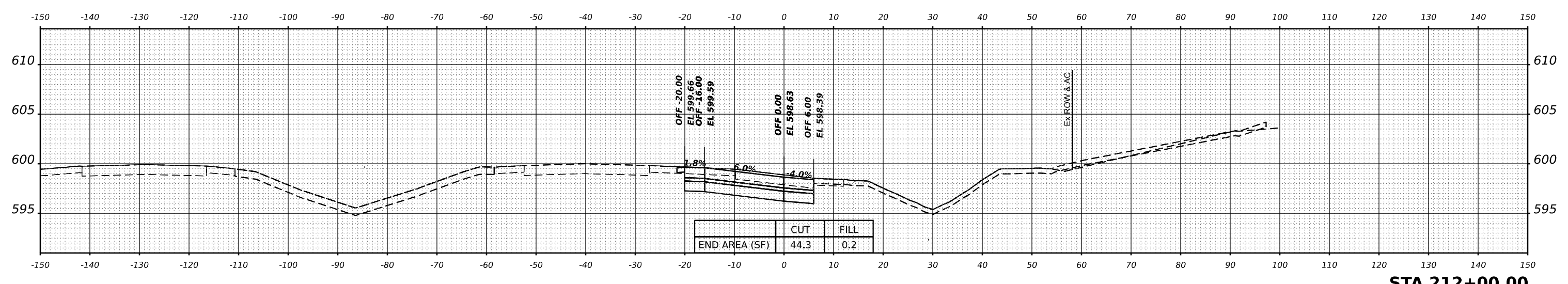
DATE	
BY	
ORIGINAL SURVEY	
PLOTTED	
TEMPLATE	
AREAS CHECKED	
NO.	

DATE	
BY	
ORIGINAL SURVEY	
PLOTTED	
TEMPLATE	
AREAS CHECKED	
NO.	

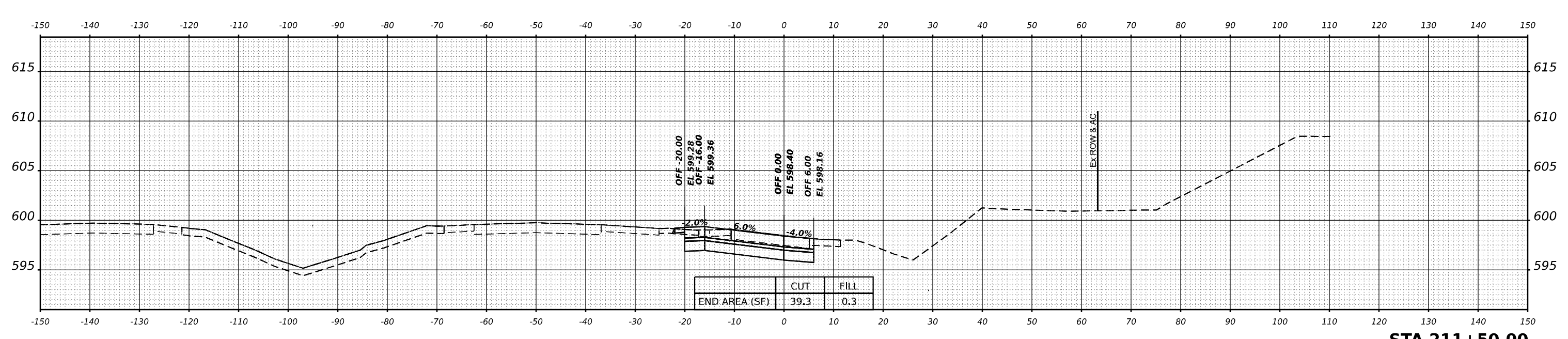
MODEL: BL_Ramp_IBC_C-211-150.00 (Sheet)
 FILE NAME: p:\transystems\paw\dev\transystems\paw\based\Documents\Projects\2018\C401\401.8002\202-TransSystems\CA\0\5-SD\02-Container\STAGE 2\01TSC-Container\PR_ROADWAY_HOUB_RAMP-C-52.dwg



STA 212+01.93



STA 212+00.00



STA 211+50.00

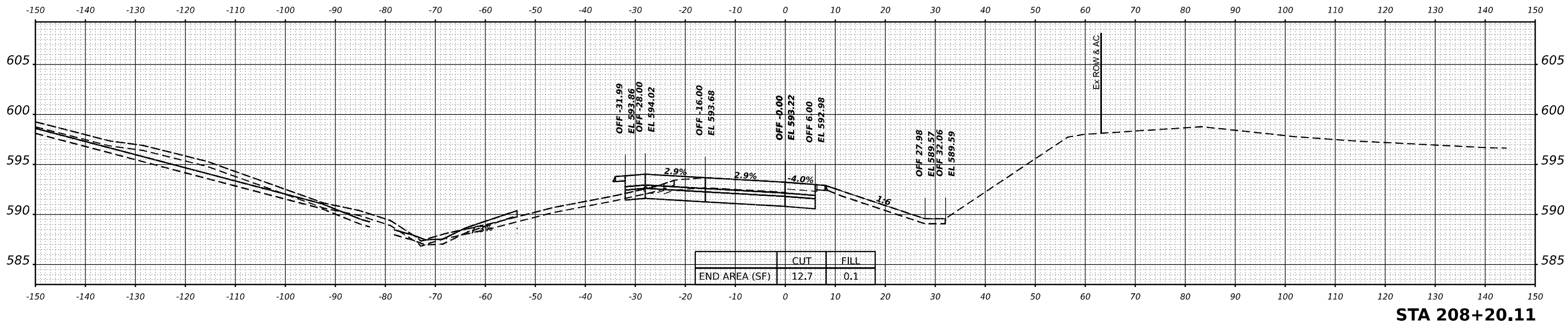
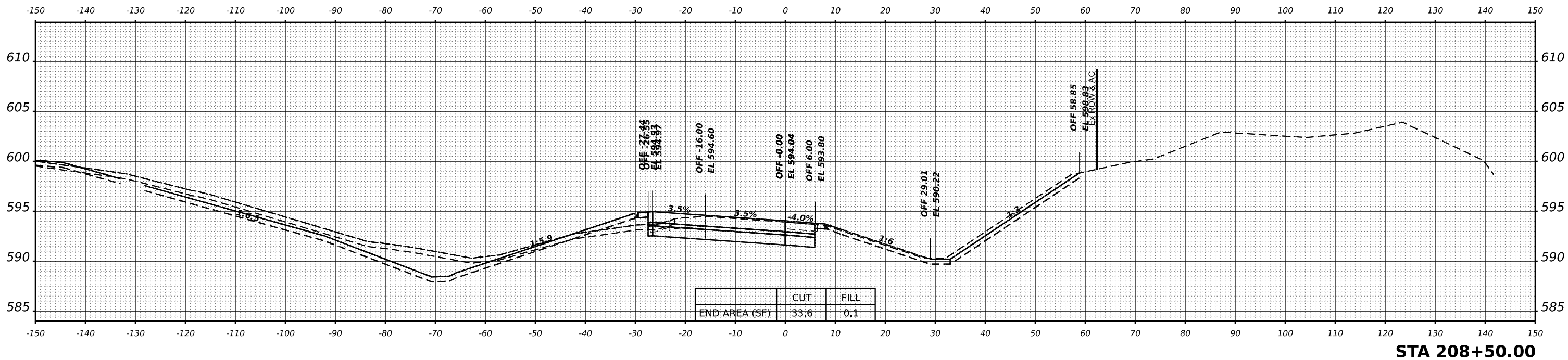
TRANSYSTEMS	USER NAME = amkluver	DESIGNED - VLJ	REVISED -	STATE OF ILLINOIS DEPARTMENT OF TRANSPORTATION	CROSS SECTIONS STAGE 2 HOUBOLT RAMP C			F.A.I. RTE.	SECTION	COUNTY	TOTAL SHEETS	SHEET NO.
	PLOT SCALE = 0.16666633 1/ in.	CHECKED - JMG	REVISED -		I-80	FAI 80 21 STRUCTURE 6	WILL	898	884			
	PLOT DATE = 6/23/2023	DATE - 6/26/23	REVISED -		SCALE: 10:H 5:V		SHEET 4	OF 4 SHEETS	STA. 211+50.00	212+01.93	CONTRACT NO. 62R27	

ILLINOIS FED. AID PROJECT

DATE	
BY	
SURVEYED	
PLOTTED	
TEMPLATE	
NOTE BOOK	
AREAS CHECKED	
NO.	

DATE	
BY	
SURVEYED	
PLOTTED	
TEMPLATE	
NOTE BOOK	
AREAS CHECKED	
NO.	

MODEL: BL_PU_IBLC_C-208-20.11 (Sheet)
 FILE NAME: p:\transystems\p\dev\transystems\p\stage3\0115C-CONTAINER_P3_ROADWAY_RAMP-C-53.dgn



TRANSYSTEMS

USER NAME	= amkluver	DESIGNED	- VLJ	REVISED	-
PLOT SCALE	= 0.16666633 1/ in.	DRAWN	- BAC	REVISED	-
PLOT DATE	= 6/23/2023	CHECKED	- JMG	REVISED	-
		DATE	- 6/26/23	REVISED	-

**STATE OF ILLINOIS
DEPARTMENT OF TRANSPORTATION**

**CROSS SECTIONS STAGE 3
HOUBOLT RAMP C**

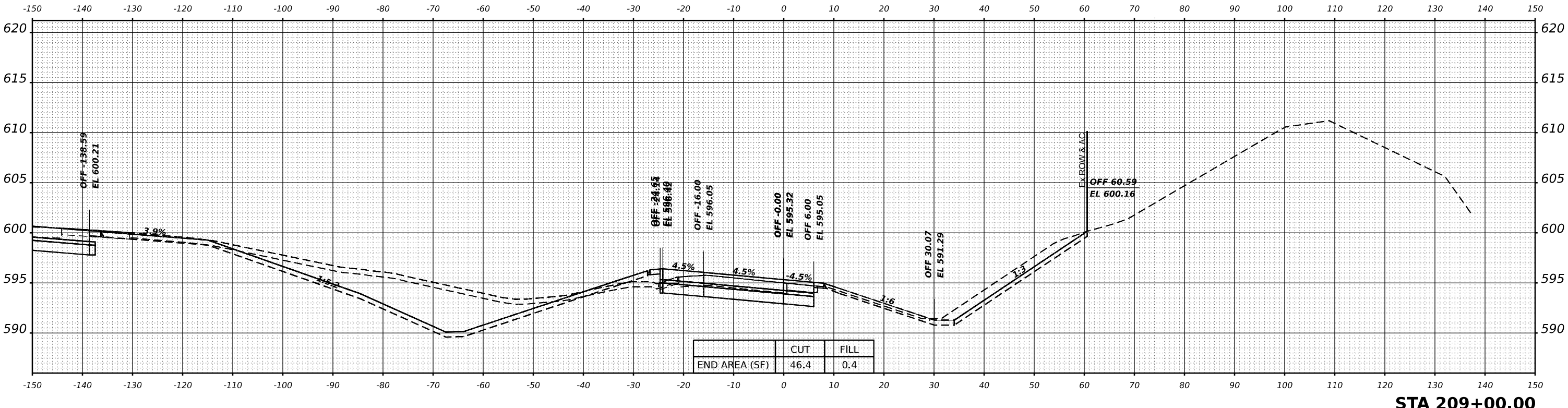
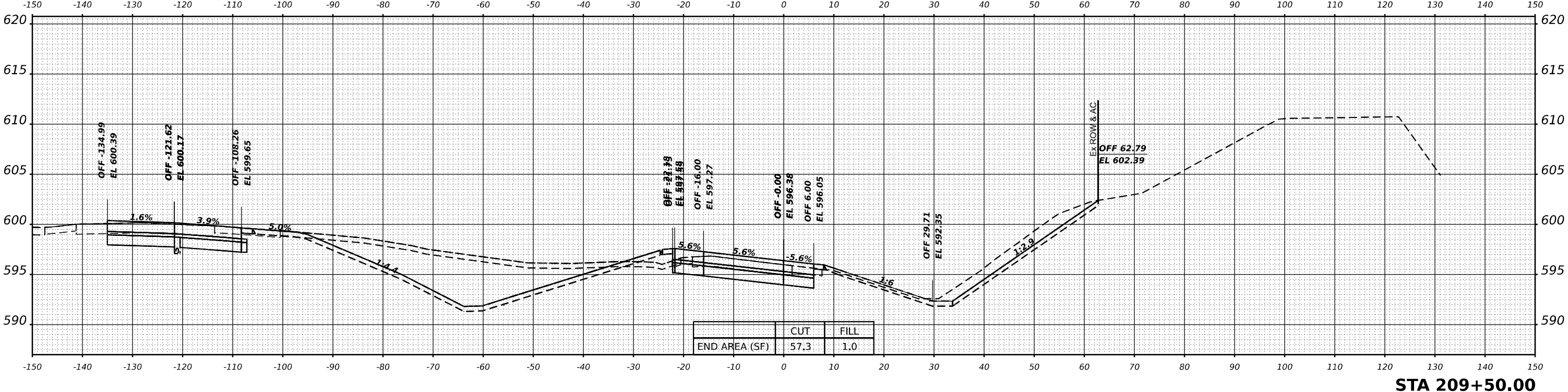
SCALE: 10:H 5:V SHEET 1 OF 5 SHEETS STA. 208+20.11 208+50.00

F.A.I. RTE.	SECTION	COUNTY	TOTAL SHEETS	SHEET NO.
I-80	FAI 80 21 STRUCTURE 6	WILL	898	885
			CONTRACT NO. 62R27	
		ILLINOIS	FED. AID PROJECT	

DATE	BY

DATE	BY

MODEL: BL_RU_IBLC_C-209+00.00 (Sheet)
 FILE NAME: p:\transystems\pub\dev\transystems\pwp\basedocuments\projects\2018\CH401\401.8002\202\TransSystems\CA\05-3D\02-Container\STAGE 3\01TSC-CONTAINER_PB_ROADWAY_RAMP-C-53.dgn



USER NAME = amkluver	DESIGNED - VLJ	REVISED -
	DRAWN - BAC	REVISED -
PLOT SCALE = 0.16666633 1/ in.	CHECKED - JMG	REVISED -
PLOT DATE = 6/23/2023	DATE - 6/26/23	REVISED -

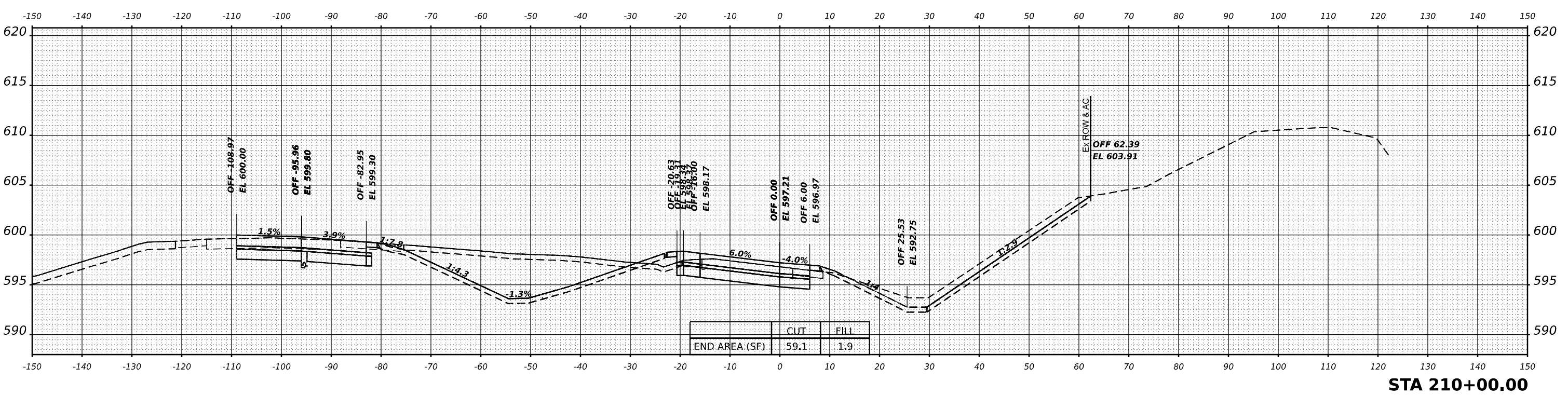
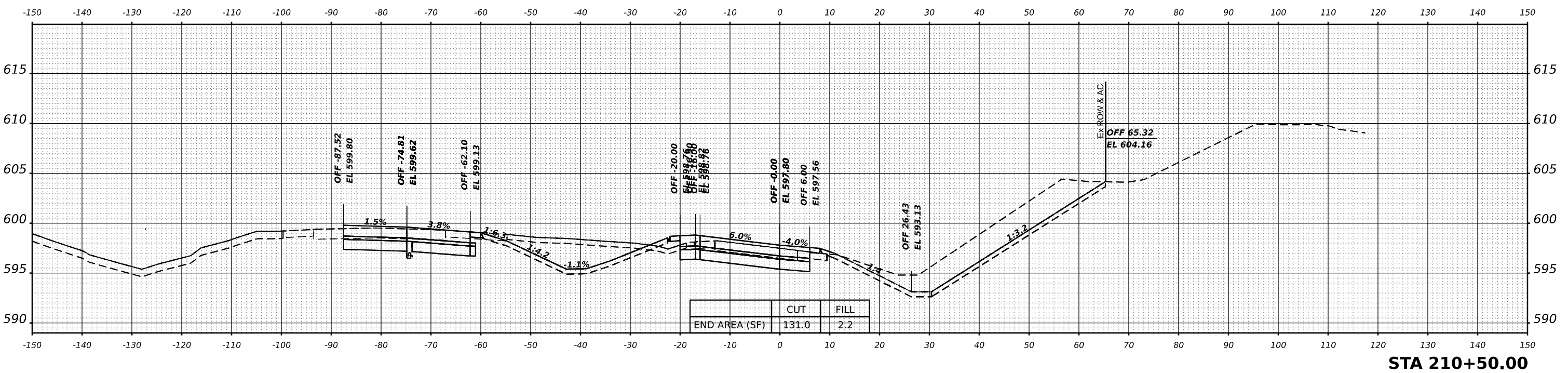
**STATE OF ILLINOIS
DEPARTMENT OF TRANSPORTATION**

**CROSS SECTIONS STAGE 3
HOUBOLT RAMP C**

SCALE: 10:H 5:V SHEET 2 OF 5 SHEETS STA. 209+00.00 209+50.00

F.A.I. RTE.	SECTION	COUNTY	TOTAL SHEETS	SHEET NO.
I-80	FAI 80 21 STRUCTURE 6	WILL	898	886
CONTRACT NO. 62R27				
ILLINOIS		FED. AID PROJECT		

DATE
BY
SURVEYED
PLOTTED
TEMPLATE
NOTE BOOK
AREAS CHECKED
NO.



DATE
BY
SURVEYED
PLOTTED
TEMPLATE
NOTE BOOK
AREAS CHECKED
NO.

USER NAME = amkluver	DESIGNED - VLJ	REVISED -
	DRAWN - BAC	REVISED -
PLOT SCALE = 0.16666633 1/ in.	CHECKED - JMG	REVISED -
PLOT DATE = 6/23/2023	DATE - 6/26/23	REVISED -

**STATE OF ILLINOIS
DEPARTMENT OF TRANSPORTATION**

**CROSS SECTIONS STAGE 3
HOUBOLT RAMP C**

SCALE: 10:H 5:V SHEET 3 OF 5 SHEETS STA. 210+00.00 210+50.00

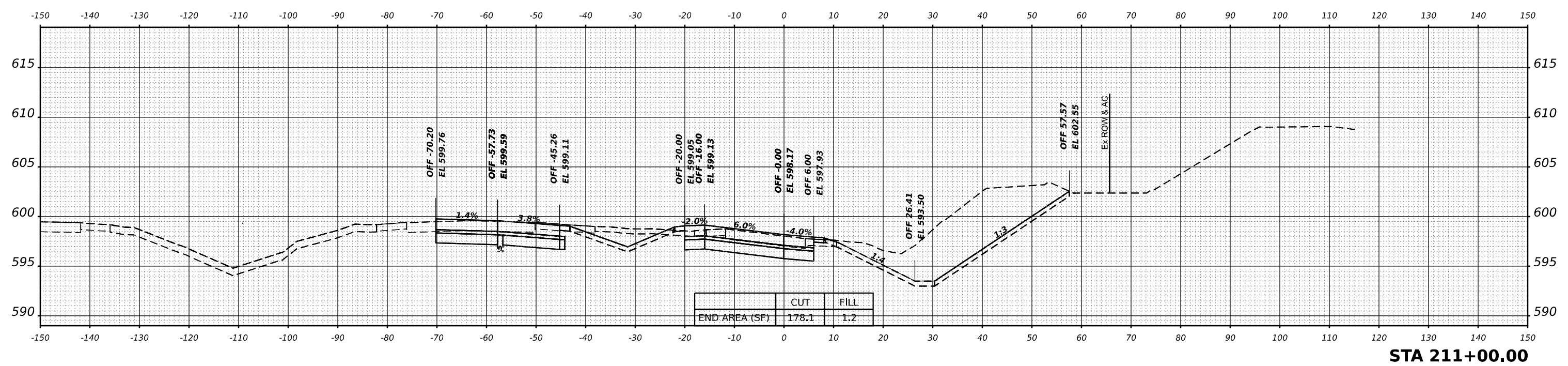
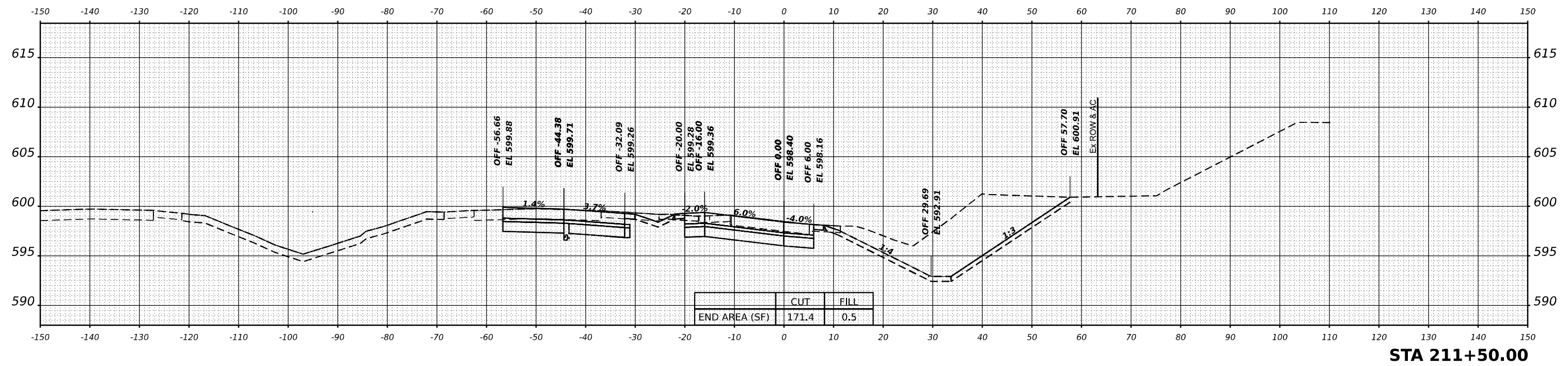
F.A.I. RTE.	SECTION	COUNTY	TOTAL SHEETS	SHEET NO.
I-80	FAI 80 21 STRUCTURE 6	WILL	898	887
			CONTRACT NO. 62R27	
		ILLINOIS	FED. AID PROJECT	

MODEL: BL_Ramp_IBLC_C_210+00.00 (Sheet)
 FILE NAME: p:\projects\2023\62R27\210+00.00\180022\210+00.00\TransSystems\CA\05\3D\02-Container\STAGE 3\01TSC-CONTAINER_PB_ROADWAY_RAMP-C-53.dgn

FINAL SURVEY	SURVEYED	BY	DATE
NOTE BOOK	PLOTTED		
NO.	TEMPLATE		
	AREAS		
	CHECKED		

ORIGINAL SURVEY	SURVEYED	BY	DATE
NOTE BOOK	PLOTTED		
NO.	TEMPLATE		
	AREAS		
	CHECKED		

MODEL: BL_RAMP_C_211+00.00 (Sheet)
 FILE NAME: p:\transystems\p\dev\transystems\p\stage3\0115C-CONTAINER-Roadway-RAMP-C-SS.dgn



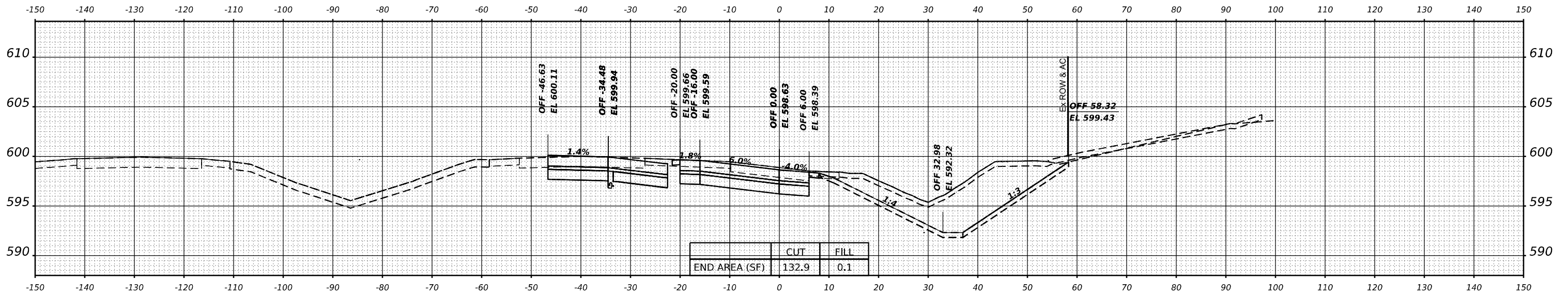
TRANSYSTEMS	USER NAME = amkluver	DESIGNED - VLJ	REVISED -	STATE OF ILLINOIS DEPARTMENT OF TRANSPORTATION	CROSS SECTIONS STAGE 3 HOUBOLT RAMP C			F.A.I. RTE.	SECTION	COUNTY	TOTAL SHEETS	SHEET NO.
	PLOT SCALE = 0.16666633 1/ in.	CHECKED - JMG	REVISED -		I-80	FAI 80 21 STRUCTURE 6	WILL	898	888			
	PLOT DATE = 6/23/2023	DATE - 6/26/23	REVISED -		SCALE: 10:H 5:V			CONTRACT NO. 62R27				

SHEET 4 OF 5 SHEETS STA. 211+00.00 211+50.00 ILLINOIS FED. AID PROJECT

MODEL: BU_R0_IBBC_C-212+00.00 (Sheet)
FILE NAME: D:\transystems\projects\dev\transystems\paw\hobolt\documents\projects\2018\C401401\80022\02-Transystems\CAD\05-3D\02-Container\STAGE 3\D1T5C-CONTAINER_PR_ROADWAY_RAMP_C-53.dgn

FINAL SURVEY	SURVEYED	BY	DATE
NOTE BOOK	PLOTTED		
NO.	TEMPLATE		
	AREAS		
	AREAS CHECKED		

ORIGINAL SURVEY	SURVEYED	BY	DATE
NOTE BOOK	PLOTTED		
NO.	TEMPLATE		
	AREAS		
	AREAS CHECKED		



STA 212+00.00



USER NAME = amkluver	DESIGNED - VLJ	REVISED -
	DRAWN - BAC	REVISED -
PLOT SCALE = 0.16666633 1/1 in.	CHECKED - JMG	REVISED -
PLOT DATE = 6/23/2023	DATE - 6/26/23	REVISED -

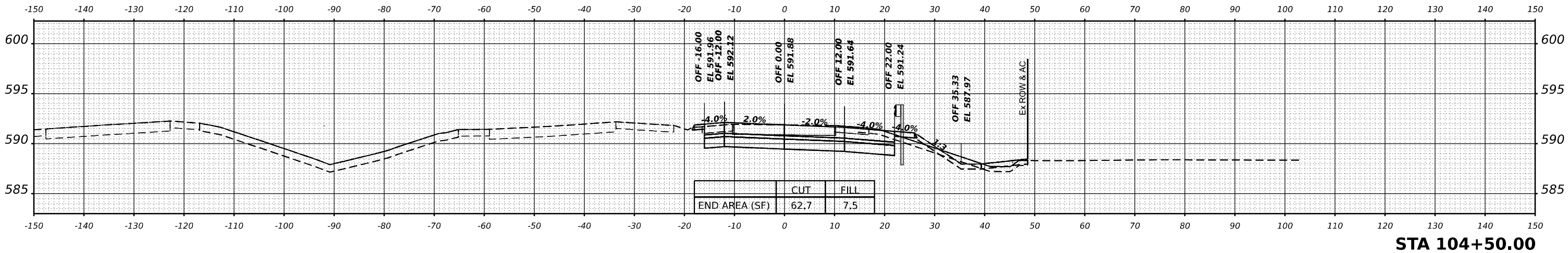
**STATE OF ILLINOIS
DEPARTMENT OF TRANSPORTATION**

**CROSS SECTIONS STAGE 3
HOUBOLT RAMP C**

SCALE: 10:H 5:V SHEET 5 OF 5 SHEETS STA. 212+00.00

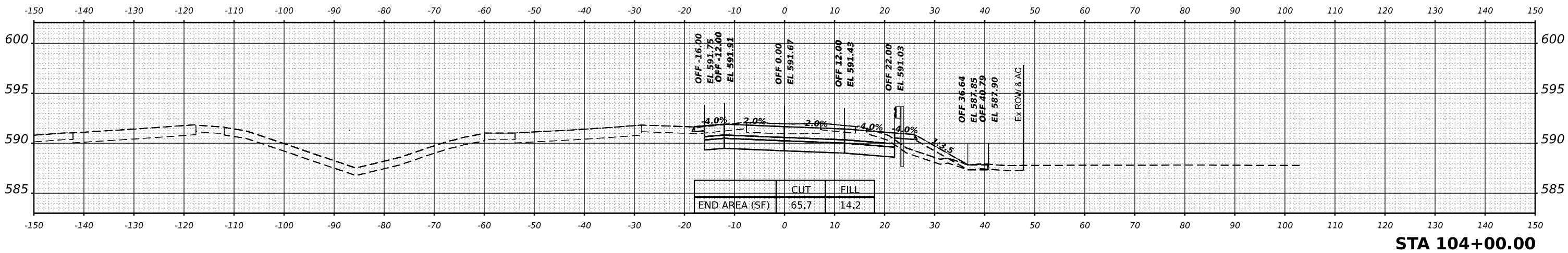
F.A.I. RTE.	SECTION	COUNTY	TOTAL SHEETS	SHEET NO.
I-80	FAI 80 21 STRUCTURE 6	WILL	898	889
CONTRACT NO. 62R27				
ILLINOIS		FED. AID PROJECT		

DATE	
BY	
FINAL SURVEY	SURVEYED
NOTE BOOK	PLOTTED
NO.	TEMPLATE
	AREAS
	CHECKED

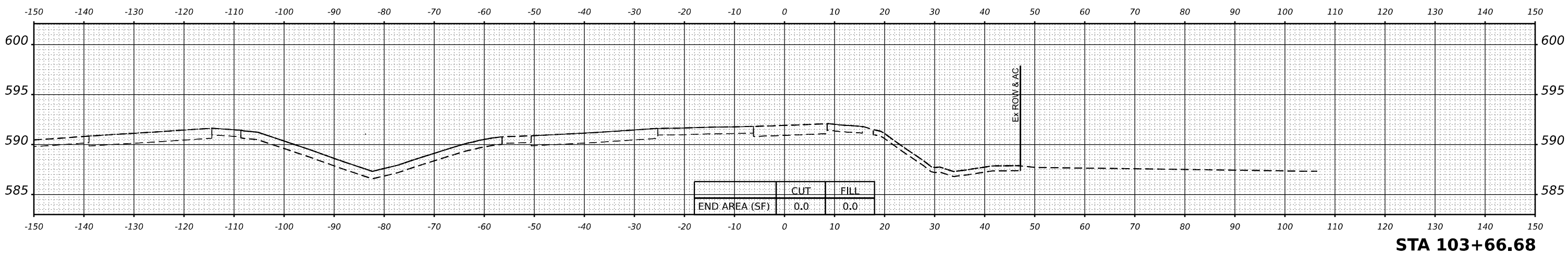


STA 104+50.00

DATE	
BY	
ORIGINAL SURVEY	SURVEYED
NOTE BOOK	PLOTTED
NO.	TEMPLATE
	AREAS
	CHECKED



STA 104+00.00



STA 103+66.68



USER NAME	= amkluver
DESIGNED	- VLJ
DRAWN	- BAC
CHECKED	- JMG
DATE	- 6/26/23
REVISIONS	
REVISED	-
REVISED	-
REVISED	-

**STATE OF ILLINOIS
DEPARTMENT OF TRANSPORTATION**

**CROSS SECTIONS STAGE 2
HOUBOLT RAMP D**

SCALE: 10:H 5:V SHEET 1 OF 9 SHEETS STA. 103+66.68 104+50.00

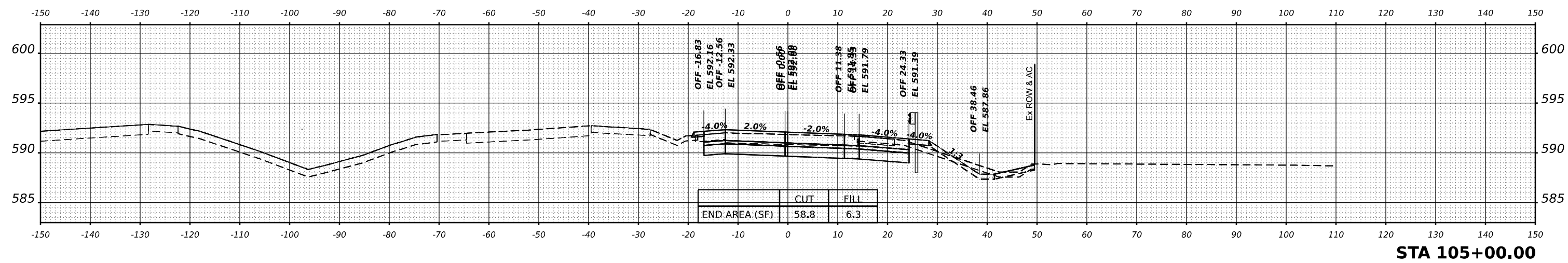
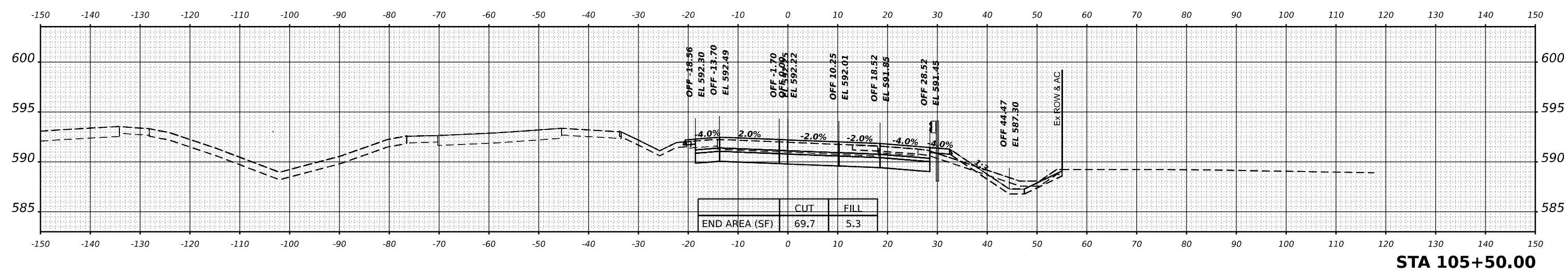
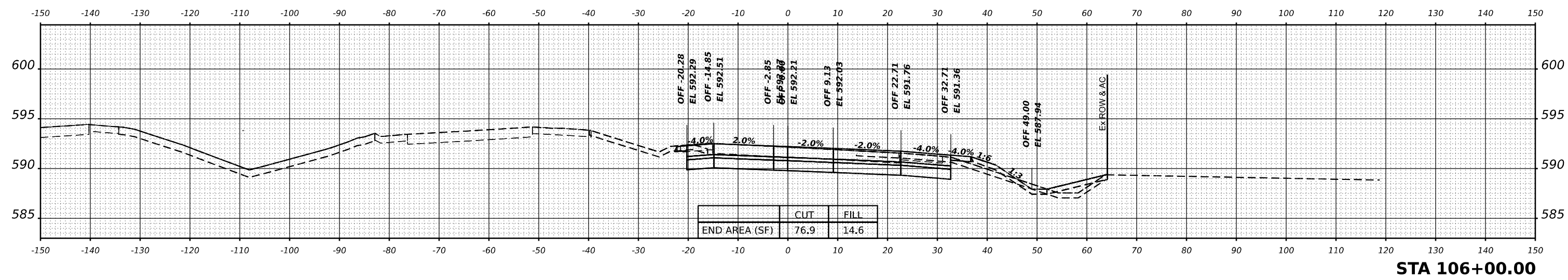
F.A.I. RTE.	SECTION	COUNTY	TOTAL SHEETS	SHEET NO.
I-80	FAI 80 21 STRUCTURE 6	WILL	898	890
			CONTRACT NO. 62R27	
ILLINOIS		FED. AID PROJECT		

MODEL: BL_Pu_IBL_C - 103+66.68 (Sheet) FILE NAME: p:\transystems\pda\dev\transystems\pda\transystems\pda\2018\C4401401\80022\02-Transystems\CA\0\05-2D\02-Container\STAGE 2\01TSC-CONTAINER_P3-ROADWAY_HOUBOLT_RAMP-D-5.dgn

FINAL SURVEY NO.	SURVEYED	DATE
NOTE BOOK	PLOTTED	BY
AREAS CHECKED	TEMPLATE	
	AREAS CHECKED	

ORIGINAL SURVEY NO.	SURVEYED	DATE
NOTE BOOK	PLOTTED	BY
AREAS CHECKED	TEMPLATE	
	AREAS CHECKED	

MODEL: BL_Ramp_IBCL_D - 105+00.00 (Sheet)
 FILE NAME: p:\transystems\p\hob\dev\transystems\p\hob\transystems\p\hob\Documents\Projects\2018\C401\401\80022\02-TransSystems\CAD\05-3D\02-Container\STAGE 2\015-C-Container\STAGE 2\015-C-Container\PS-ROADWAY_HOU_RAMP-D-5.dgn



USER NAME = amkluver	DESIGNED - VLJ	REVISED -
PLOT SCALE = 0.16666633 1/ in.	DRAWN - BAC	REVISED -
PLOT DATE = 6/23/2023	CHECKED - JMG	REVISED -
	DATE - 6/26/23	REVISED -

**STATE OF ILLINOIS
DEPARTMENT OF TRANSPORTATION**

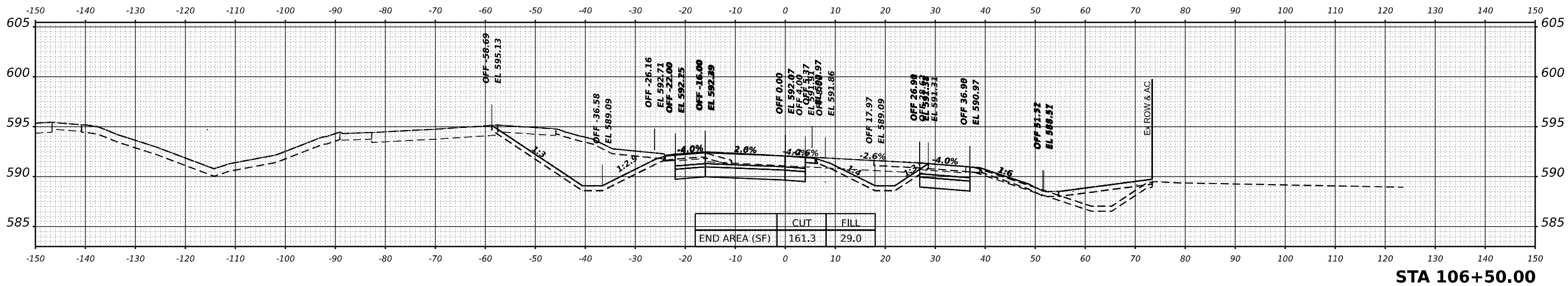
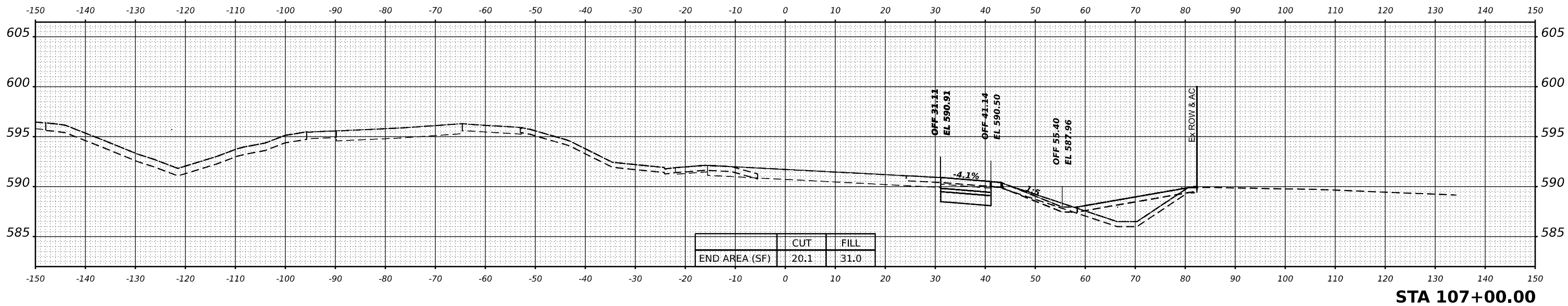
CROSS SECTIONS STAGE 2			
HOUBOLT RAMP D			
SCALE: 10:H 5:V	SHEET 2	OF 9 SHEETS	STA. 105+00.00
			106+00.00

F.A.I. RTE.	SECTION	COUNTY	TOTAL SHEETS	SHEET NO.
I-80	FAI 80 21 STRUCTURE 6	WILL	898	891
				CONTRACT NO. 62R27
ILLINOIS		FED. AID PROJECT		

FINAL SURVEY NO.	SURVEYED	BY	DATE
NOTE BOOK NO.	PLOTTED		
	TEMPLATE		
	AREAS		
	CHECKED		

ORIGINAL SURVEY NO.	SURVEYED	BY	DATE
NOTE BOOK NO.	PLOTTED		
	TEMPLATE		
	AREAS		
	CHECKED		

MODEL: BL_Ramp_IBC_D - 106+50.00 (Sheet)
 FILE NAME: p:\transystems\p\dev\transystems\p\p\hosted\Documents\Projects\2018\C401401\80022022\TransSystems\CAD\05\02\02-Container\STAGE 2\01TSC-Container\PS-ROADWAY_HOUBOLT_RAMP-D-52.dgn



TRANSYSTEMS

USER NAME = amkluver	DESIGNED - VLJ	REVISED -
PLOT SCALE = 0.16666633 1/ in.	DRAWN - BAC	REVISED -
PLOT DATE = 6/23/2023	CHECKED - JMG	REVISED -
	DATE - 6/26/23	REVISED -

**STATE OF ILLINOIS
DEPARTMENT OF TRANSPORTATION**

**CROSS SECTIONS STAGE 2
HOUBOLT RAMP D**

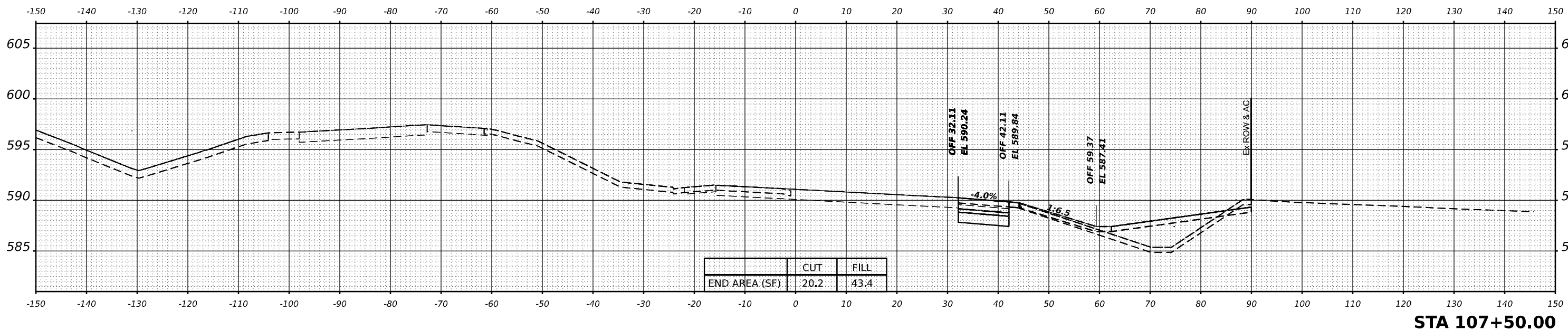
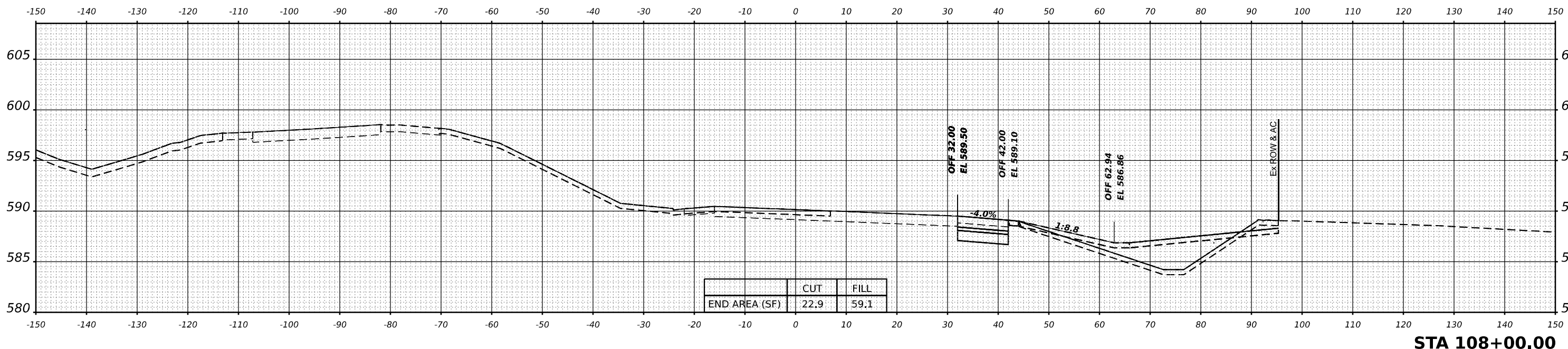
SCALE: 10:H 5:V SHEET 3 OF 9 SHEETS STA. 106+50.00 107+00.00

F.A.I. RTE.	SECTION	COUNTY	TOTAL SHEETS	SHEET NO.
I-80	FAI 80 21 STRUCTURE 6	WILL	898	892
				CONTRACT NO. 62R27
		ILLINOIS	FED. AID PROJECT	

FINAL SURVEY	SURVEYED	BY	DATE
NOTE BOOK	PLOTTED		
NO.	TEMPLATE		
	AREAS		
	AREAS CHECKED		

ORIGINAL SURVEY	SURVEYED	BY	DATE
NOTE BOOK	PLOTTED		
NO.	TEMPLATE		
	AREAS		
	AREAS CHECKED		

MODEL: BL_Ramp_IBB_C - 107+50.00 (Sheet)
FILE NAME: p:\transystems\paweb\dev\transystems\paweb\Documents\Projects\2018\CH401\401\8002\202\Transystems\CA\05\SD\02-Container\STAGE 2\01TSC-CONTAINER_P8_ROADWAY_HOU_RAMP-D-5.dgn



TRANSYSTEMS

USER NAME = amkluver	DESIGNED - VLJ	REVISED -
PLOT SCALE = 0.16666633 1/ in.	DRAWN - BAC	REVISED -
PLOT DATE = 6/23/2023	CHECKED - JMG	REVISED -
	DATE - 6/26/23	REVISED -

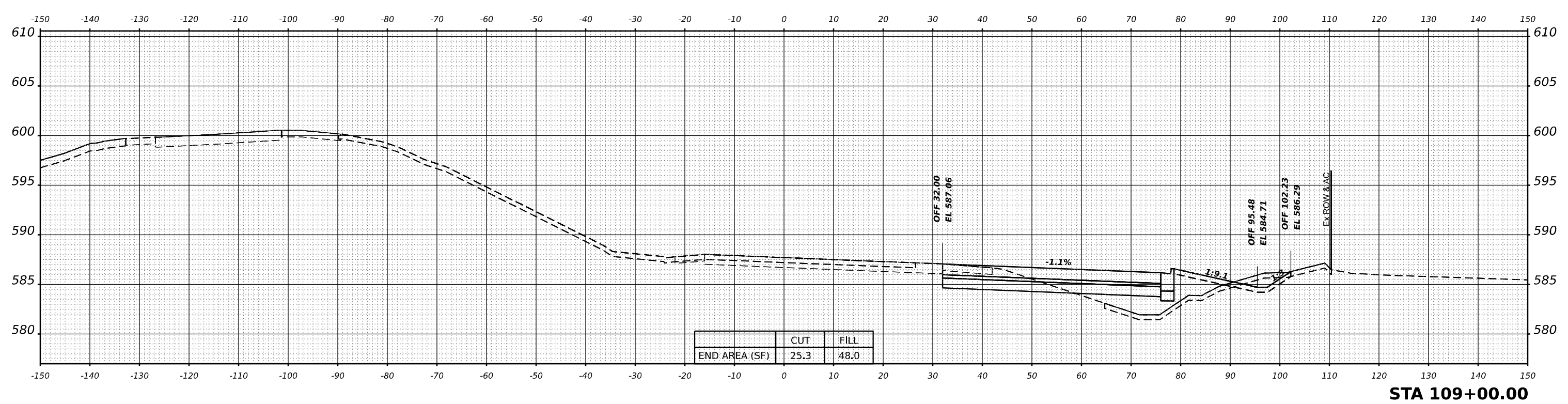
**STATE OF ILLINOIS
DEPARTMENT OF TRANSPORTATION**

**CROSS SECTIONS STAGE 2
HOUBOLT RAMP D**

SCALE: 10:H 5:V SHEET 4 OF 9 SHEETS STA. 107+50.00 108+00.00

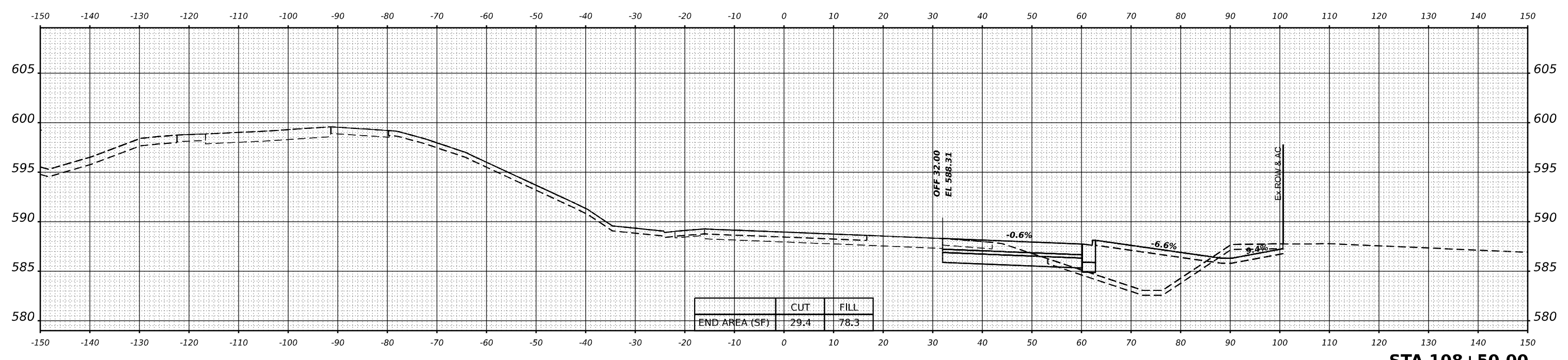
F.A.I. RTE.	SECTION	COUNTY	TOTAL SHEETS	SHEET NO.
I-80	FAI 80 21 STRUCTURE 6	WILL	898	893
			CONTRACT NO. 62R27	
		ILLINOIS	FED. AID PROJECT	

DATE	
BY	
NO.	
FINISHED SURVEY	
NOTE BOOK	
PLOTTED TEMPLATE	
AREAS CHECKED	



STA 109+00.00

DATE	
BY	
NO.	
ORIGINAL SURVEY	
NOTE BOOK	
PLOTTED TEMPLATE	
AREAS CHECKED	



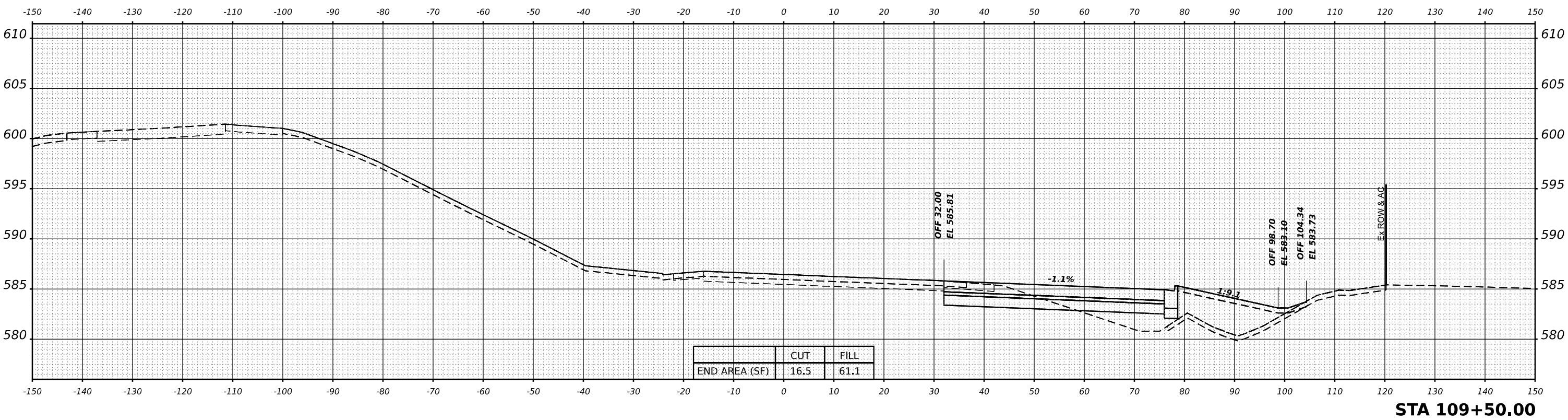
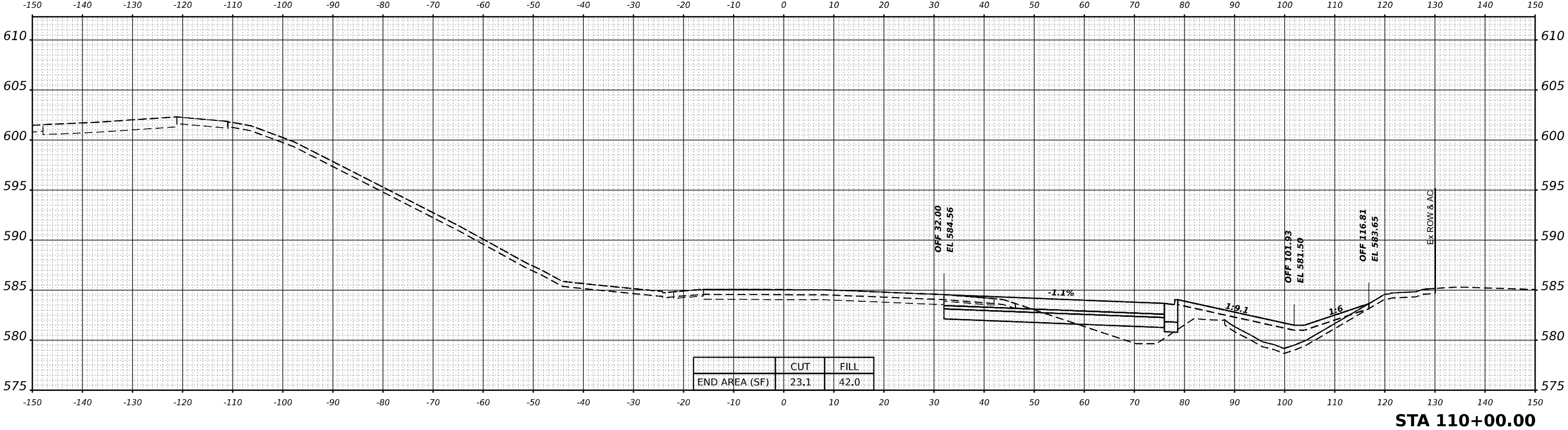
STA 108+50.00

	USER NAME = amkluver	DESIGNED - VLJ	REVISED -	<p align="center">STATE OF ILLINOIS DEPARTMENT OF TRANSPORTATION</p>	<p align="center">CROSS SECTIONS STAGE 2 HOUBOLT RAMP D</p>			F.A.I. RTE.	SECTION	COUNTY	TOTAL SHEETS	SHEET NO.
	PLOT SCALE = 0.16666633 1/16 in.	CHECKED - JMG	REVISED -					I-80	FAI 80 21 STRUCTURE 6	WILL	898	894
	PLOT DATE = 6/23/2023	DATE - 6/26/23	REVISED -					CONTRACT NO. 62R27				
				SCALE: 10:H 5:V			SHEET 5	OF 9 SHEETS	STA. 108+50.00	109+00.00	ILLINOIS FED. AID PROJECT	

DATE	
BY	
SURVEYED	
PLOTTED	
TEMPLATE	
AREAS	
CHECKED	
NO.	
FINAL SURVEY	
NOTE BOOK	
AREAS CHECKED	
NO.	

DATE	
BY	
SURVEYED	
PLOTTED	
TEMPLATE	
AREAS	
CHECKED	
NO.	
ORIGINAL SURVEY	
NOTE BOOK	
AREAS CHECKED	
NO.	

MODEL: BL_Ramp_IBC_D - 109+50.00 (Sheet)
 FILE NAME: p:\transystems\p\ibc\dev\transystems\p\ibc\Documents\Projects\2018\C401\401.80022\02-TransSystems\C401\05-3D\02-Container\STAGE 2\01TSC-CONTAINER_P8_ROADWAY_HOU_RAMP-D-52.dgn



USER NAME	= amkluver
DESIGNED	- VLJ
DRAWN	- BAC
CHECKED	- JMG
PLOT DATE	= 6/23/2023
REVISIONS	
REVISIONS	
REVISIONS	
REVISIONS	

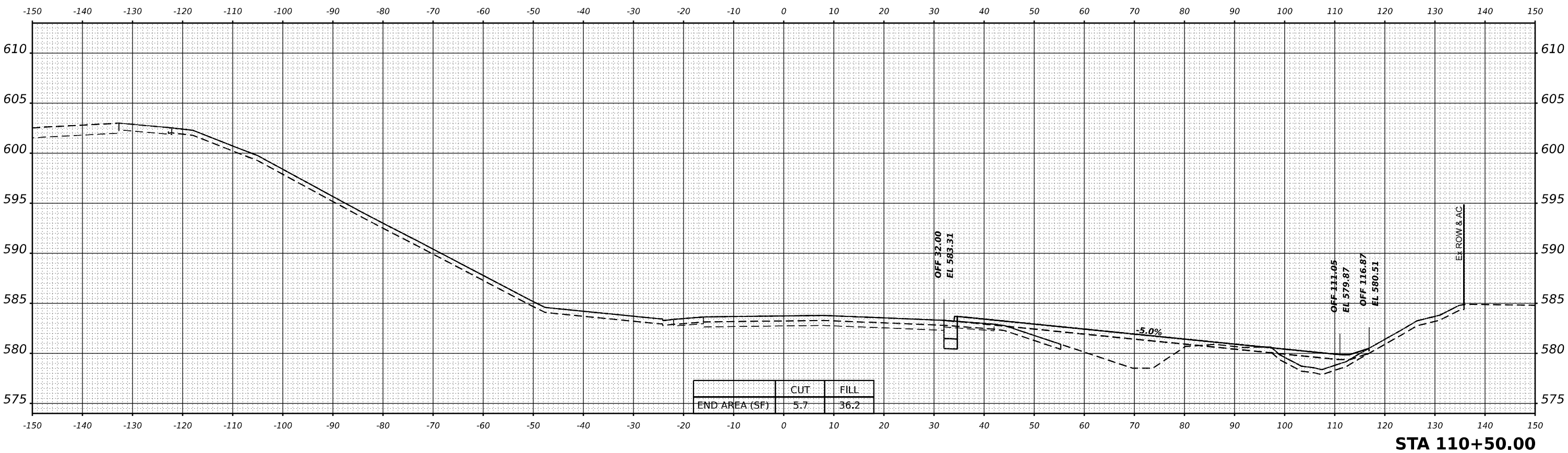
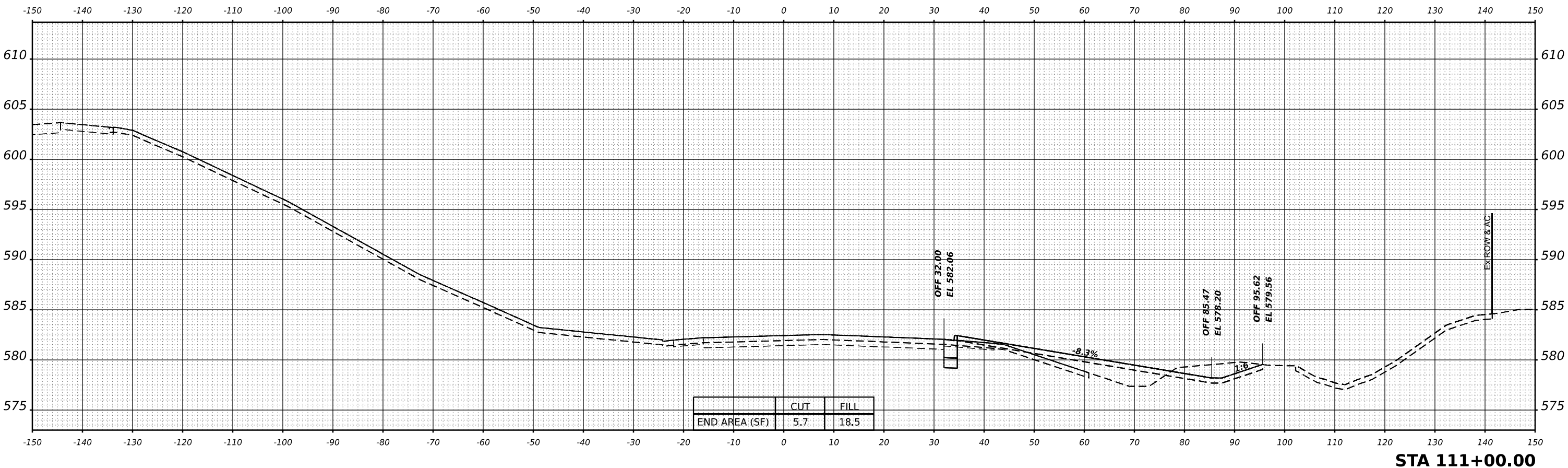
**STATE OF ILLINOIS
DEPARTMENT OF TRANSPORTATION**

CROSS SECTIONS STAGE 2 HOUBOLT RAMP D			
SCALE: 10:H 5:V	SHEET 6	OF 9 SHEETS	STA. 109+50.00 110+00.00

F.A.I. RTE.	SECTION	COUNTY	TOTAL SHEETS	SHEET NO.
I-80	FAI 80 21 STRUCTURE 6	WILL	898	895
				CONTRACT NO. 62R27
ILLINOIS		FED. AID PROJECT		

FINAL SURVEY	SURVEYED	BY	DATE
NOTE BOOK	PLOTTED		
NO.	TEMPLATE		
	AREAS		
	CHECKED		

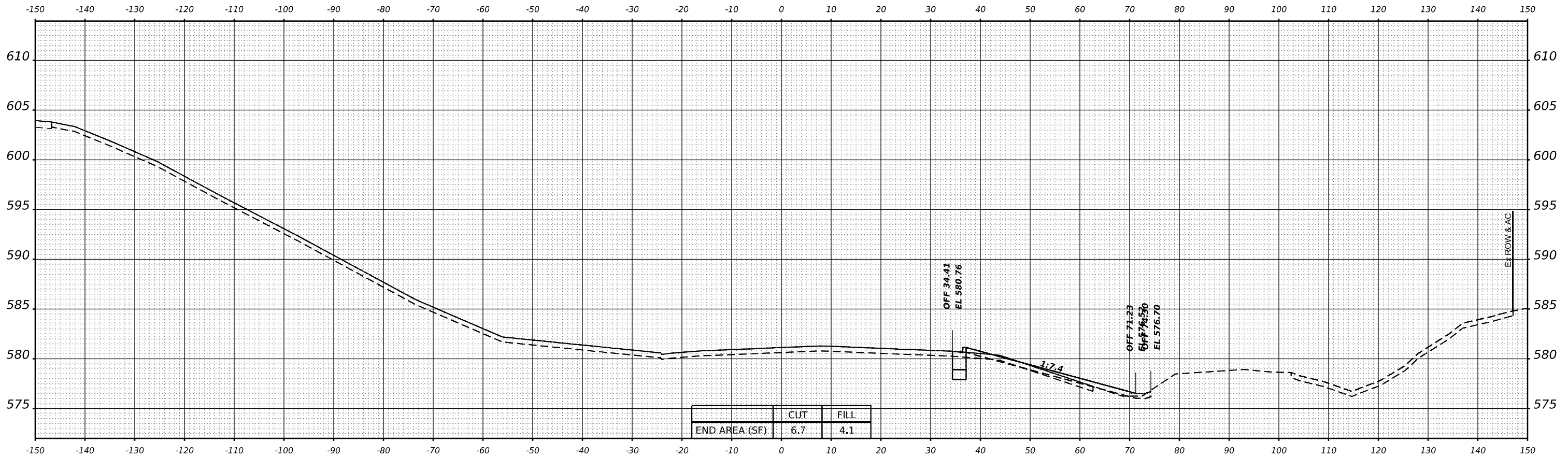
MODEL: BL_P\BIBL_D - 110+50.00 (Sheet)
 FILE NAME: p:\transystems\pca\dev\transystems\paw\shared\documents\projects\2018\C4401401\80022\02-TransSystems\CAD\05-D\02-Container\STAGE 2\015-C-Container\PS-ROADWAY\HOU_RAMP-D\S2.dgn



FINAL SURVEY	SURVEYED	BY	DATE
NOTE BOOK	PLOTTED		
NO.	TEMPLATE		
	AREAS		
	CHECKED		

ORIGINAL SURVEY	SURVEYED	BY	DATE
NOTE BOOK	PLOTTED		
NO.	TEMPLATE		
	AREAS		
	CHECKED		

MODEL: BL_P\111+50.00 (Sheet)
 FILE NAME: p:\transystems\p\dev\transystems\p\h\staged\documents\projects\2018\C4401401\80022\02\TransSystems\CA\0\05-3D\02-Container\STAGE 2\01TSC-Container\PS_ROADWAY_HOU_RAMP-D-52.dgn



	CUT	FILL
END AREA (SF)	6.7	4.1

STA 111+50.00

TRANSYSTEMS

USER NAME = amkluver	DESIGNED - VLJ	REVISED -
PLOT SCALE = 0.16666633 1/ in.	DRAWN - BAC	REVISED -
PLOT DATE = 6/23/2023	CHECKED - JMG	REVISED -
	DATE - 6/26/23	REVISED -

**STATE OF ILLINOIS
 DEPARTMENT OF TRANSPORTATION**

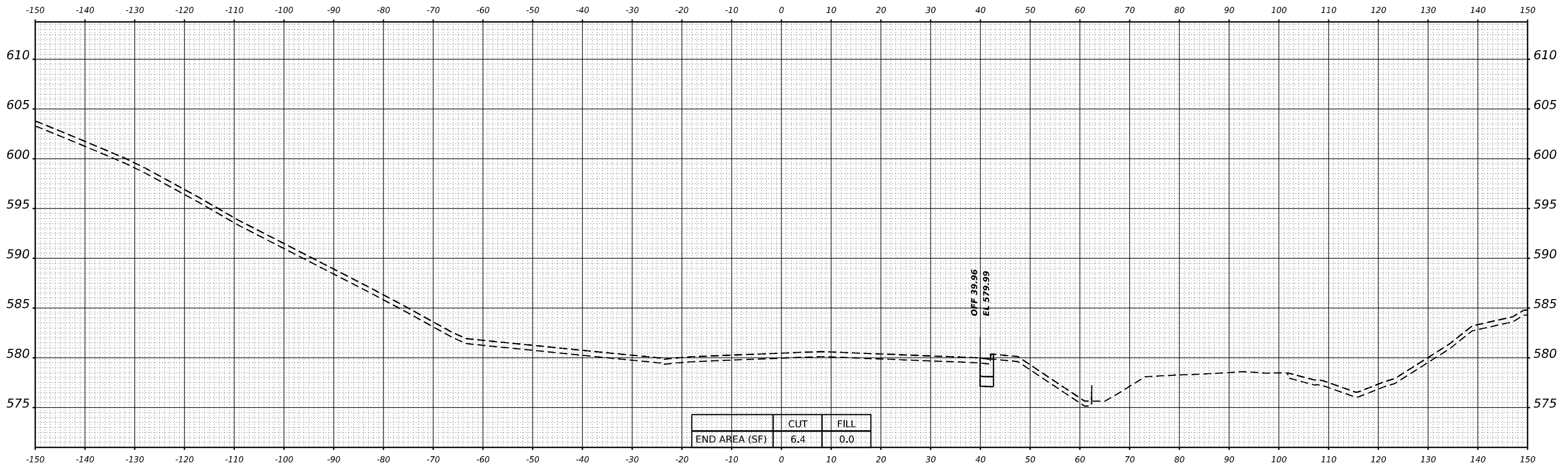
CROSS SECTIONS STAGE 2 HOUBOLT RAMP D			
SCALE: 10:H 5:V	SHEET 8	OF 9 SHEETS	STA. 111+50.00

F.A.I. RTE.	SECTION	COUNTY	TOTAL SHEETS	SHEET NO.
I-80	FAI 80 21 STRUCTURE 6	WILL	898	897
				CONTRACT NO. 62R27
		ILLINOIS	FED. AID PROJECT	

FINAL SURVEY	SURVEYED	BY	DATE
NOTE BOOK	PLOTTED		
NO.	TEMPLATE		
	AREAS		
	CHECKED		

ORIGINAL SURVEY	SURVEYED	BY	DATE
NOTE BOOK	PLOTTED		
NO.	TEMPLATE		
	AREAS		
	CHECKED		

MODEL: BL_Ramp_111+76.43 (Sheet)
 FILE NAME: p:\transystems\p\dev\transystems\p\dev\Documents\Projects\2018\CH401\401\80022\02-TransSystems\CA\0\05-SD\02-Container\STAGE 2\01TSC-CONTAINER_P0-ROADWAY_HOU_RAMP-D-52.dgn



STA 111+76.43



USER NAME = amkluver	DESIGNED - VLJ	REVISED -
PLOT SCALE = 0.16666633 1/ in.	DRAWN - BAC	REVISED -
PLOT DATE = 6/23/2023	CHECKED - JMG	REVISED -
	DATE - 6/26/23	REVISED -

**STATE OF ILLINOIS
 DEPARTMENT OF TRANSPORTATION**

CROSS SECTIONS STAGE 2 HOUBOLT RAMP D			
SCALE: 10:H 5:V	SHEET 9	OF 9 SHEETS	STA. 111+76.43

F.A.I. RTE.	SECTION	COUNTY	TOTAL SHEETS	SHEET NO.
I-80	FAI 80 21 STRUCTURE 6	WILL	898	898
			CONTRACT NO. 62R27	
		ILLINOIS	FED. AID PROJECT	