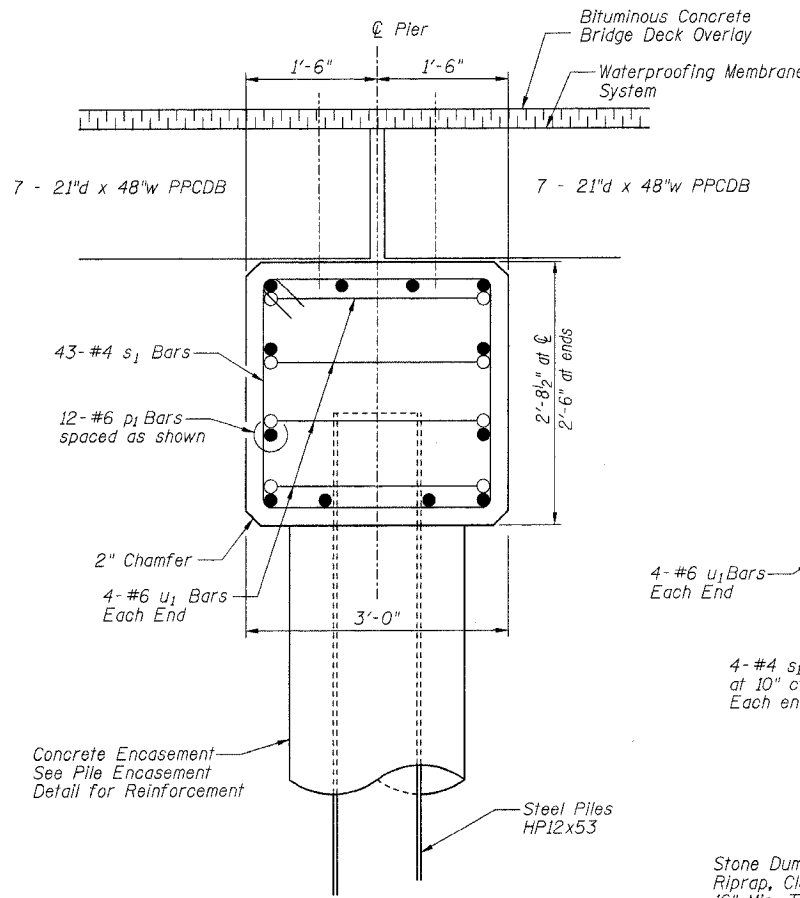
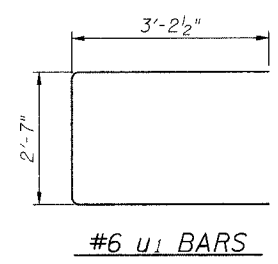
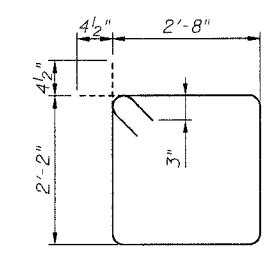


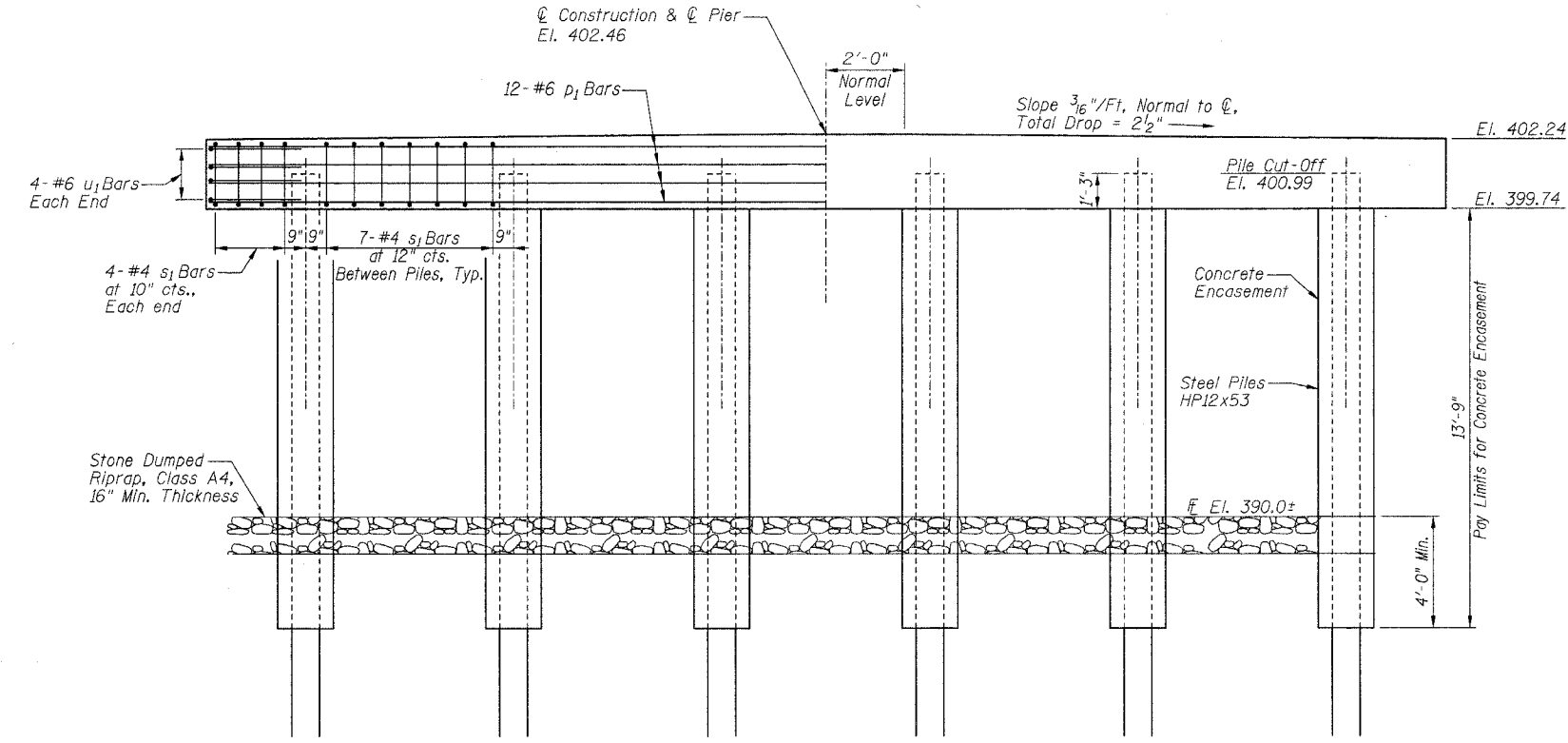
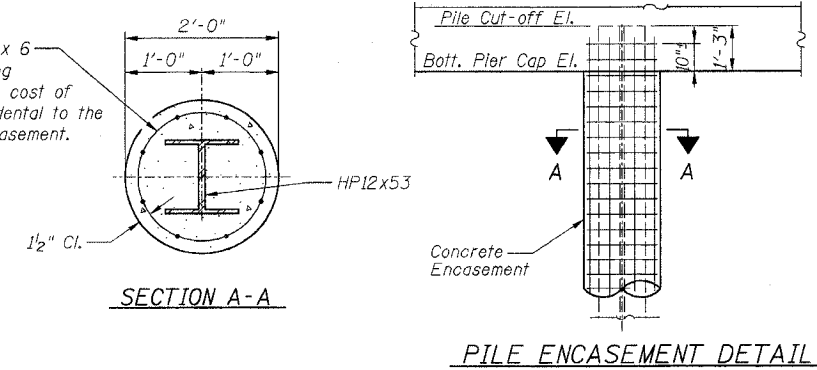
ROUTE	SECTION	COUNTY	TOTAL SHEETS	SHEET NO.
FAS 1857	03-00070-00-BR	MONROE	11	11
		ILLINOIS	FED. AID PROJECT	
CONTRACT NO. 97285				



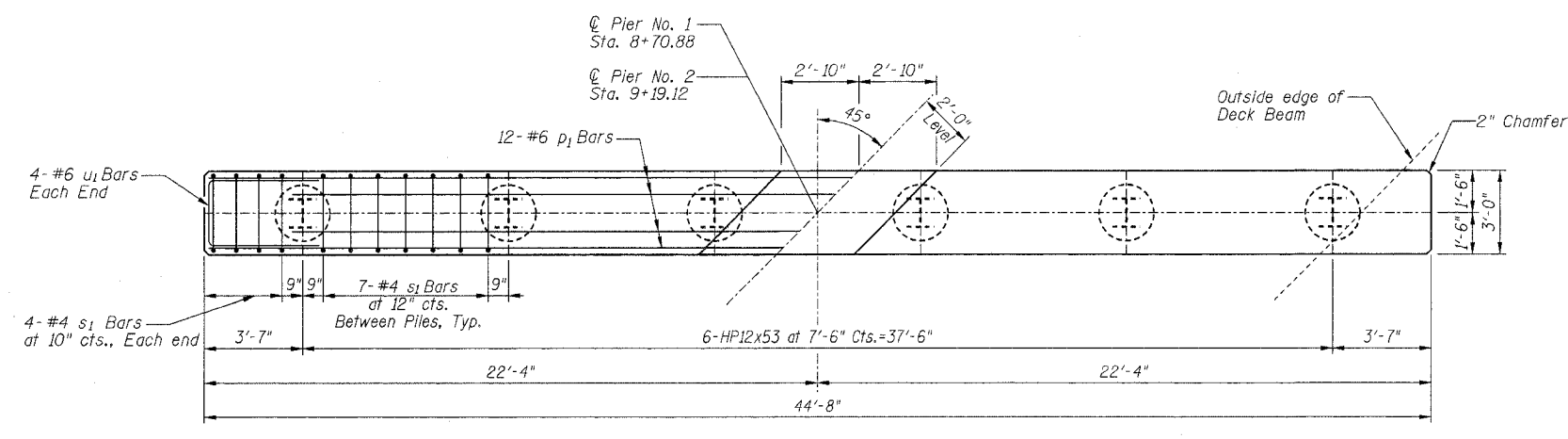
SECTION THRU PIER



Welded wire fabric 6 x 6 - W4.0 x W4.0 weighing 58#/100 sq. ft. The cost of Reinforcement is incidental to the cost of Concrete Encasement.



ELEVATION



PLAN

PILE DATA

Type:  
 Pier No. 1 Steel HP12x53  
 Pier No. 2 Steel HP12x53

Estimated Length:  
 Pier No. 1 50 Foot  
 Pier No. 2 50 Foot

Number Required:  
 Pier No. 1 6  
 Pier No. 2 6

Total Estimated Length (Both Piers):  
 Steel HP12x53 600 Foot

Capacity: Drive to Refusal

BILL OF MATERIALS ONE PIER

Bar	No.	Size	Length	Shape
p <sub>1</sub>	12	#6	44'-4"	—
s <sub>1</sub>	43	#4	10'-5"	□
u <sub>1</sub>	8	#6	9'-0"	□
Concrete Structures			Cu. Yd.	13.0
Reinforcement Bars			Pound	1210
Concrete Encasement			Cu. Yd.	9.6

GENERAL NOTES

All exposed edges shall have 2" chamfer, unless otherwise noted.

All clearances between rebar and form surface shall be 2", unless otherwise noted.

Space reinforcement in cap to miss PPCDB dowel rods.

PIER DETAILS  
 PROPOSED BRIDGE CARRYING  
 FAS 1857 OVER MONROE CITY CREEK  
 SECTION 03-00070-00-BR  
 MONROE COUNTY, ILLINOIS

05/26/2006