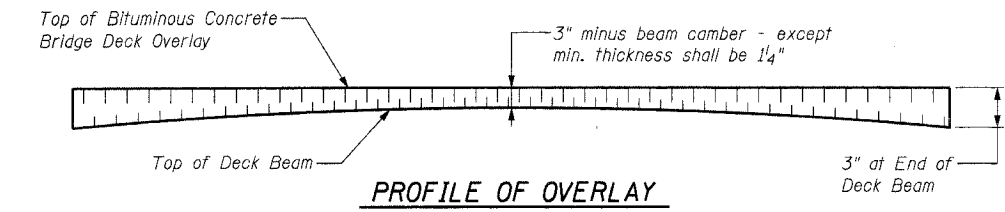
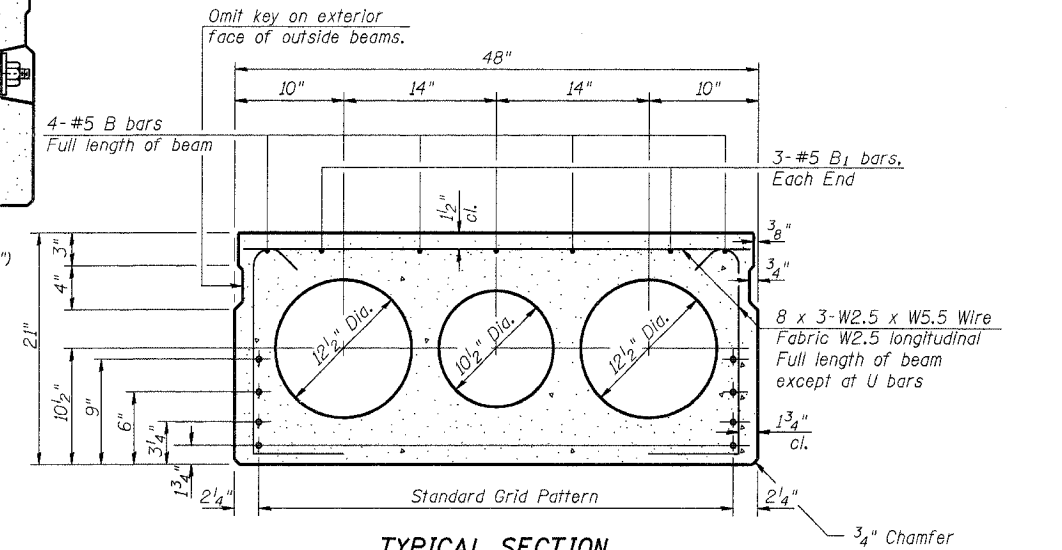
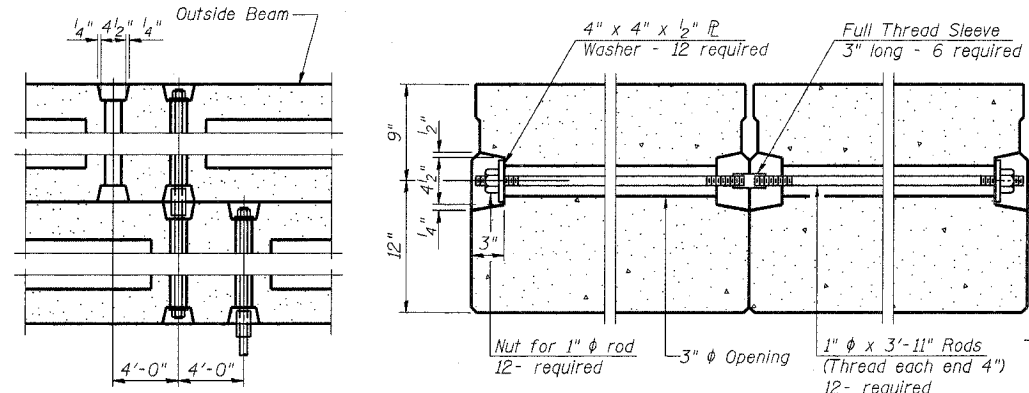
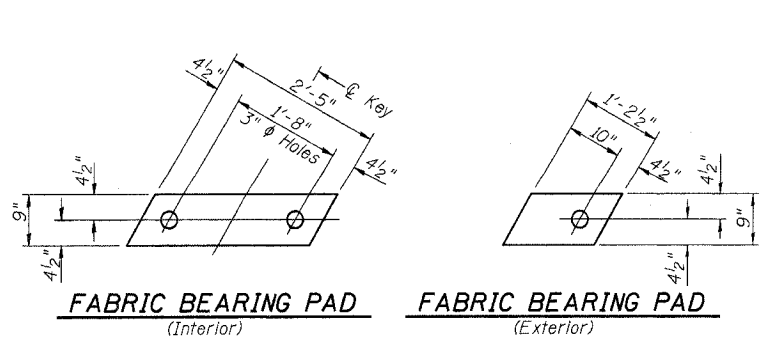
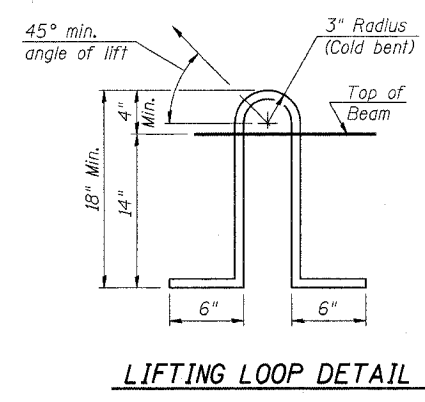
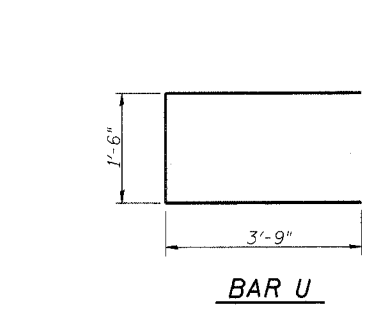
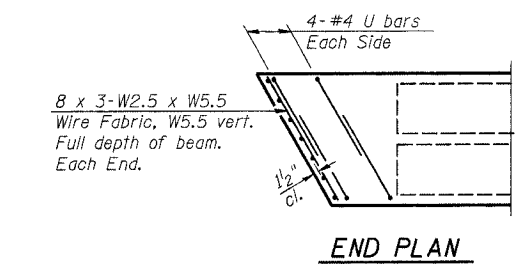
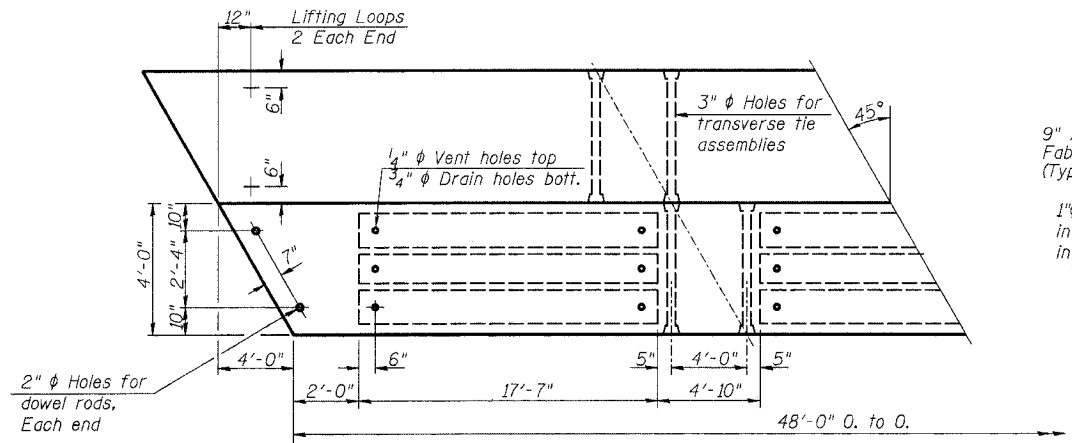
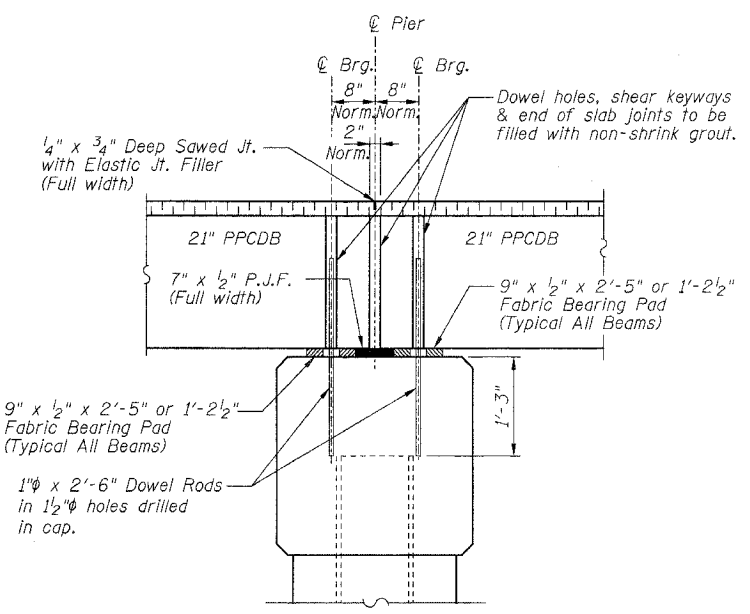


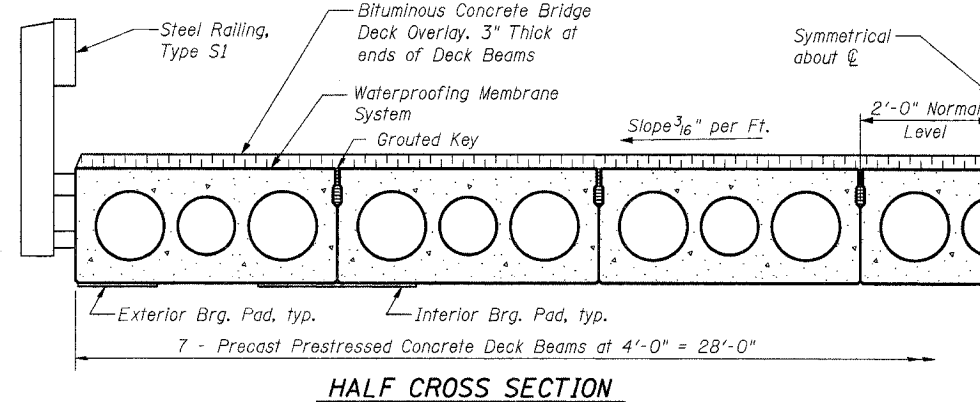
ROUTE	SECTION	COUNTY	TOTAL SHEETS	SHEET NO.
FAS 1857	03-00070-00-BR	MONROE	11	8
		ILLINOIS	FEDERAL AID PROJECT	
CONTRACT NO. 97285				



TYPICAL TRANSVERSE TIE ASSEMBLY



TYPICAL SECTION
 20 - 1/2" ϕ Strands, Each Strand Stressed to 28,900 Lbs.
 14 - Strands 1 3/4" up, 2 - Strands 3/4" up,
 2 - Strands 6" up, 2 - Strands 9" up,
 Note: Place strands symmetrically about ϕ of beam.



RESTRAINED BEARING PIER

NOTES

Prestressing steel shall be uncoated high strength, stress-relieved 7-wire strand, Grade 270.
 Corrosion Inhibitor, as covered in the Special Provisions, shall be used in the concrete for precast prestressed concrete deck beams.
 The nominal diameter shall be 1/2" and the nominal cross-sectional area shall be 0.153 sq. in.
 An equal substitution of the low-relaxation strands for the stress-relieved strands will be permitted. However, all strands shall be stressed to a maximum of 28,900 pounds per strand.
 Lifting loops shall be 3 - 1/2" ϕ - 270 ksi strands, as shown.
 The bearing seat surfaces shall be adjusted by shimming to assure firm and even bearing. Two 1/8" fabric adjusting shims of the dimensions of the Exterior Bearing Pad shall be provided for each bearing.
 When Waterproofing Membrane System is specified, the top surfaces of the beams shall be finished in accordance with Article 504.06 of the Standard Specification except that the surface shall not be roughened by brooming. The finish surface shall be free of depressions or high spots with sharp corners, and the top edge of the keys shall be rounded or chamfered a minimum of 1/4".
 Keyway surfaces shall be cleaned to remove form oil or other bond breaking material prior to shipment of the beams. Cleaning shall be done by sandblasting the keyway areas between top of the beam and the bottom edge of the key.
 Required Release Strength, f'ci, shall be 4,000 p.s.i.
 Portland Cement Mortar Fairing Course shall be placed as required for fairing out any unevenness between adjacent deck beams as specified in Section 583 of the Standard Specifications.

BILL OF MATERIAL (ONE BEAM)

Bar	No.	Size	Length	Shape
B	8	#5	25'-6"	—
B ₁	6	#5	9'-9"	—
U	16	#4	9'-0"	U
Precast Prestressed Conc. Deck Bms.			Sq. Ft.	192
Reinforcement Bars			Pound	370
Beam Weight			Pound	38240

SPAN 2

PRECAST PRESTRESSED CONCRETE DECK BEAM DETAILS
PROPOSED BRIDGE CARRYING FAS 1857 OVER MONROE CITY CREEK
SECTION 03-00070-00-BR
MONROE COUNTY, ILLINOIS

Sheet 8 of 11
 Job No. 41604