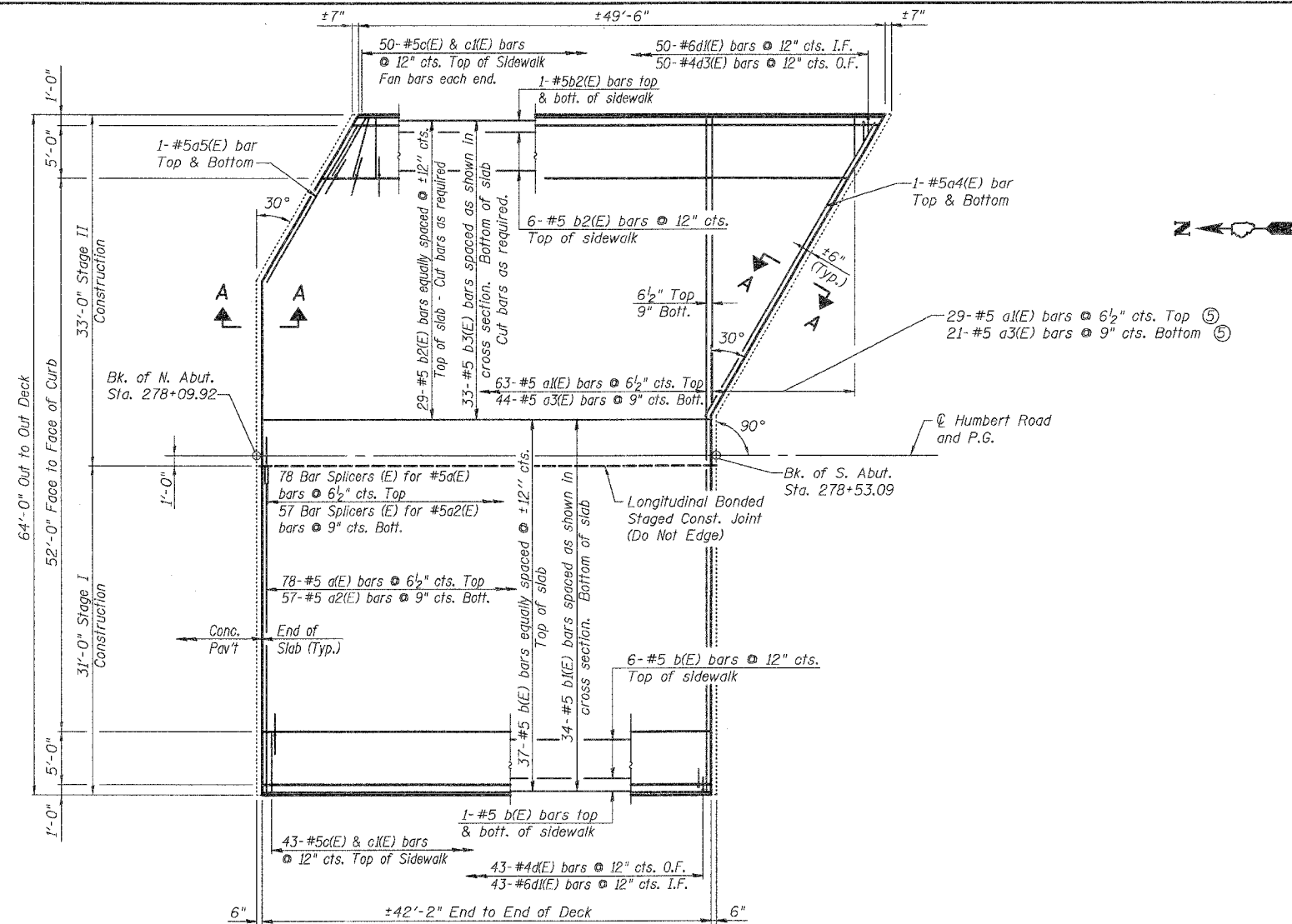
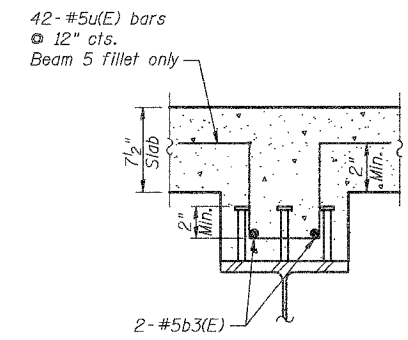


ROUTE NO.	SECTION	COUNTY	SHEET	SHEET NO.
FAU 8996	05-00221-00-BR	MADISON	20 14	12 SHEETS
FED. ROAD DIST. NO. 7		ILLINOIS	FED. AID PROJECT-	

Contract No. 97281

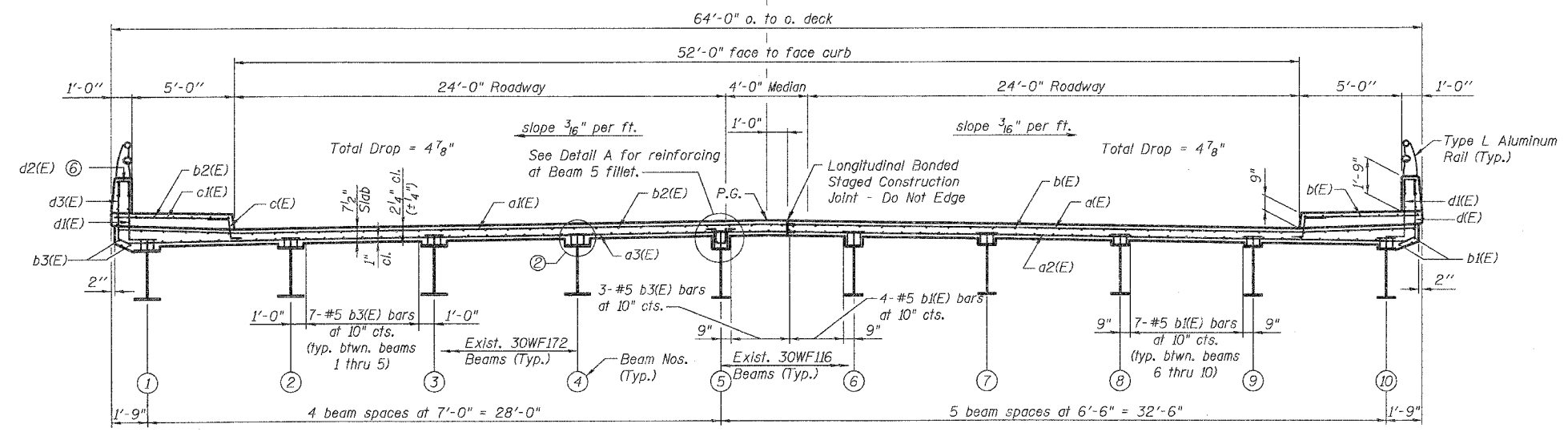


PLAN



DETAIL A

- Notes:
- See sheet 8 of 12 for superstructure details, bar bending details, parapet elevations and bill of materials.
  - See sheet 9 of 12 for shear stud details.
  - See sheet 10 of 12 for bar splicer details.
  - For Section A-A and diaphragm elevations at abutments, see sheet 7 of 12.
  - Order a1(E) and a2(E) bars full length. Cut to fit skew and use remainder of bars in opposite end as required by spacing shown.
  - Place 2-#4d2(E) bars at each rail post.
  - Space d(E), d1(E) & d3(E) bars to miss parapet joints.
  - O.F. denotes outside face. I.F. denotes inside face.
  - Reinforcement designated (E) shall be epoxy coated.



CROSS SECTION

(Looking South)

SUPERSTRUCTURE  
HUMBERT ROAD OVER  
BLACK CREEK  
SECTION 05-00221-00-BR  
CITY OF ALTON  
STA. 278+31.50  
STRUCTURE NO. 060-3023