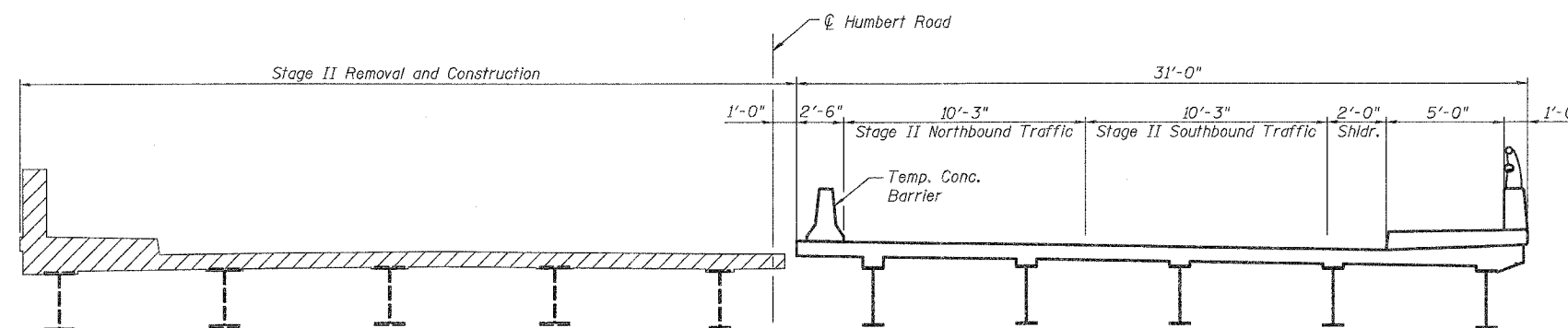


STAGE I
(Looking South)



STAGE II
(Looking South)

STAGE TRAFFIC CROSS SECTIONS

STAGE CONSTRUCTION NOTES

STAGE I

Suggested sequence of construction:

1. Remove concrete median, erect traffic control & reroute traffic to the northbound lanes with two 11'-0" lanes. See Roadway Plans.
2. Remove existing deck slab, railing, approach pavement and concrete diaphragm within Stage I limits.
3. Clean existing beams and remove lead paint in designated areas. See Special Provisions.
4. Install stud shear connectors to steel beams.
5. Cast new Stage I bridge deck, concrete diaphragm, sidewalk and parapet.
6. Complete Stage I roadway and approach work as required.
7. Remove traffic control from this stage and install new traffic control for Stage II.

STAGE II

1. Erect traffic control & reroute traffic to the southbound lanes with two 10'-3" lanes. See Roadway Plans.
2. Remove existing deck slab, railing, approach pavement and concrete diaphragm within Stage II limits.
3. Clean existing beams and remove lead paint in designated areas. See Special Provisions.
4. Install stud shear connectors to steel beams.
5. Cast new Stage II bridge deck, concrete diaphragm, sidewalk and parapet.
6. Complete Stage II roadway and approach work as required.

Notes:

- ① See sheet 7 of 12 for concrete diaphragm removal details.
- ② Hatching indicates removal of existing concrete deck.
- ③ Temporary concrete barrier shall conform to Standard 704001. See sheet 11 of 12 for anchorage details.
- ④ For quantity of temporary concrete barrier, see Roadway Plans.

STAGING DETAILS
HUMBERT ROAD OVER
BLACK CREEK
SECTION 05-00221-00-BR
CITY OF ALTON
STA. 278+31.50
STRUCTURE NO. 060-3023