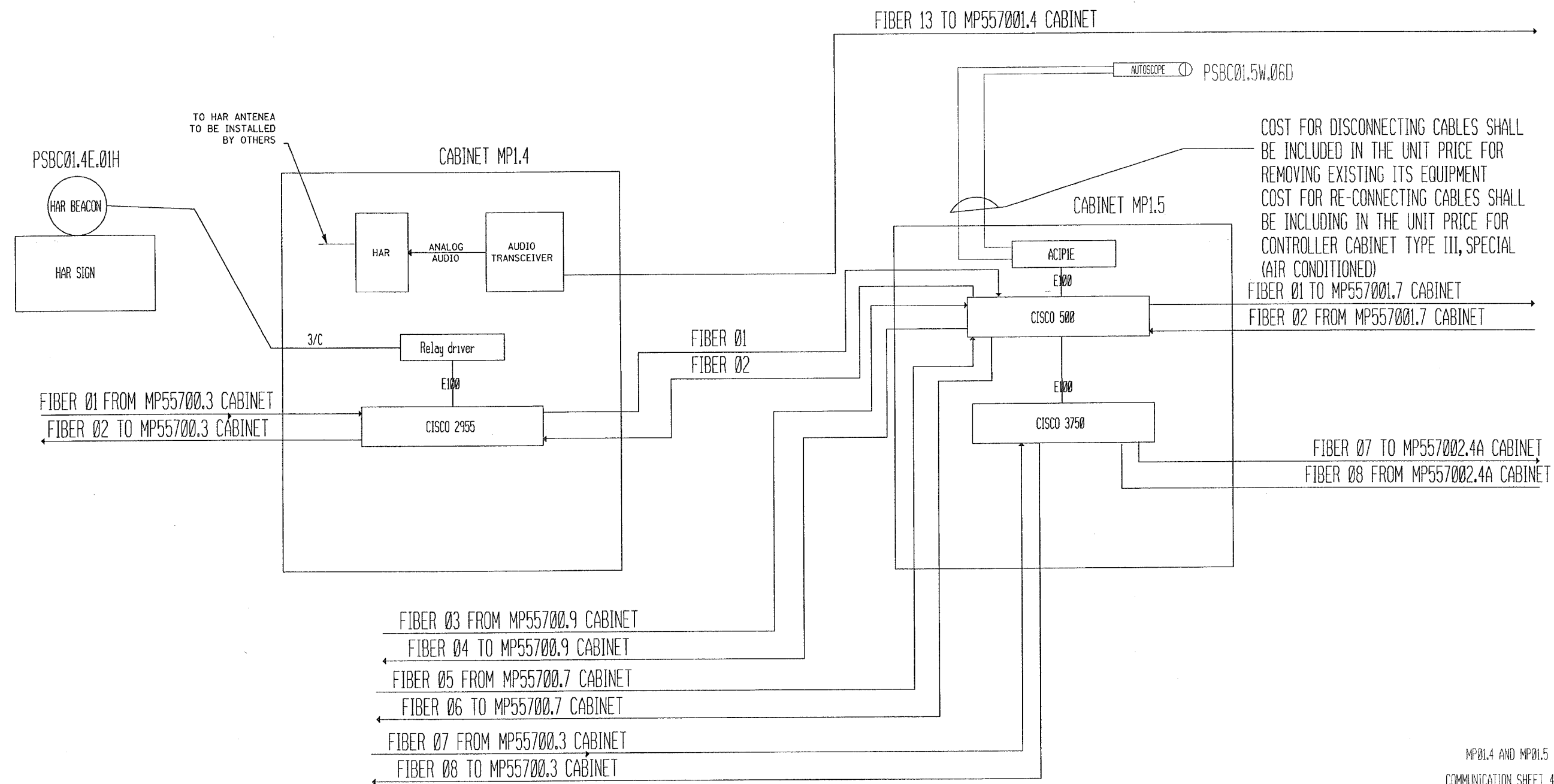


ROUTE	SECTION	COUNTY	TOTAL SHEETS	SHEET NO.
•	••	•••	52	38
STA.		TO STA.		
FED. ROAD DIST. NO.		ILLINOIS FED. AID PROJECT		
• FAI 55/70		CONTRACT# 76973		
•• DIST 8 ITS 2006-2				
••• MADISON & ST. CLAIR & CITY OF ST. LOUIS, MO				



MP01.4 AND MP01.5
COMMUNICATION SHEET 4 OF 10

REVISIONS		ILLINOIS DEPARTMENT OF TRANSPORTATION 1.PSBC CABINET (HAR) MP1.4 PSBC01.4E.01H 2.PSBC CABINET CABINET MP1.4 HAR SECTION FAI 55/70 DIST 8 ITS 2006-2 MADISON AND ST. CLAIR COUNTY AND ST. LOUIS, MO DATE 6/28/2006
NAME	DATE	
		3.PSBC CABINET MP1.5 PSBC01.5W.06D

PLOT DATE = 6/28/2006
FILE NAME = c:\projects\1000\electrical\1000\1000.dgn
PLOT SCALE = 100.0042 / IN.
REFERENCE = #REF#