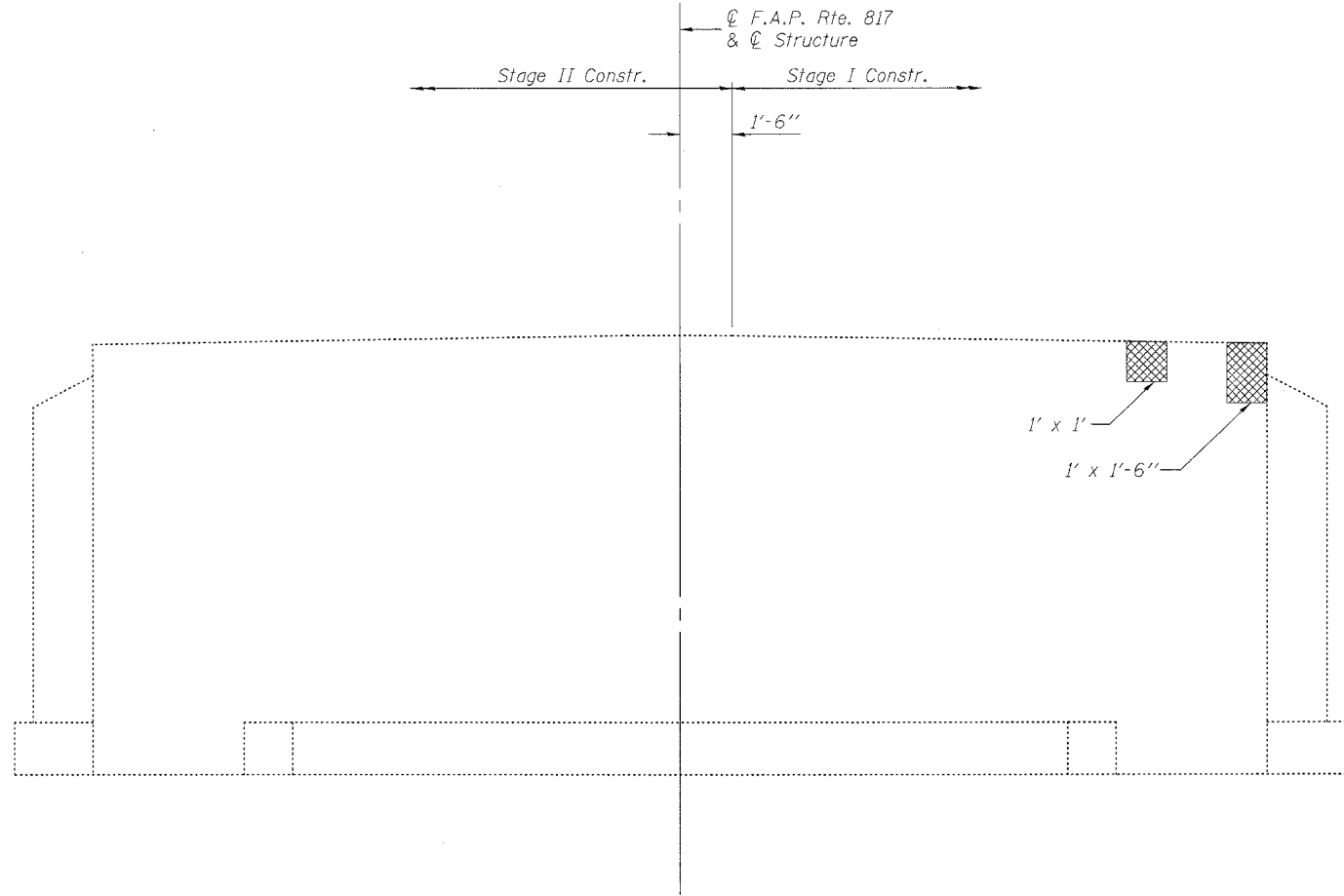


STATE OF ILLINOIS
DEPARTMENT OF TRANSPORTATION

ROUTE NO.	SECTION	COUNTY	TOTAL SHEETS	SHEET NO.	SHEET NO. 9 9 SHEETS
F.A.P. 817	BBR-2, BBR-3	WASHINGTON	52	49	
FED. ROAD DIST. NO. 7	ILLINOIS	FED. AID PROJECT-			

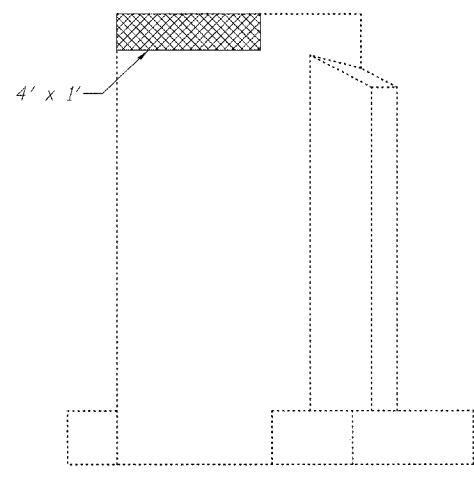
Contract #76946



ELEVATION - EAST ABUTMENT
(Looking East)

A ←

A ←



VIEW A-A

BILL OF MATERIAL

Item	Unit	Total
Structural Repair of Concrete (Depth Equal to or less than 5'')	Sq. Ft.	6.5

LEGEND

▨ Structural Repair of Concrete

Notes:
Concrete Removal and Structural Repair of Concrete shall occur during its respective stage construction.
See Special Provisions for Structural Repair of Concrete.
No Structural Repair of Concrete required for the West Abutment.

DESIGNED	EML
CHECKED	NJM
DRAWN	EML
CHECKED	NJM

HORNER & SHIFRIN, INC.
ENGINEERS ■ ARCHITECTS ■ PLANNERS

ABUTMENT REPAIR DETAILS
F.A.P. ROUTE 817 - SECTION 8BR-3
WASHINGTON COUNTY
STATION 36+12.71
STRUCTURE NO. 095-0011