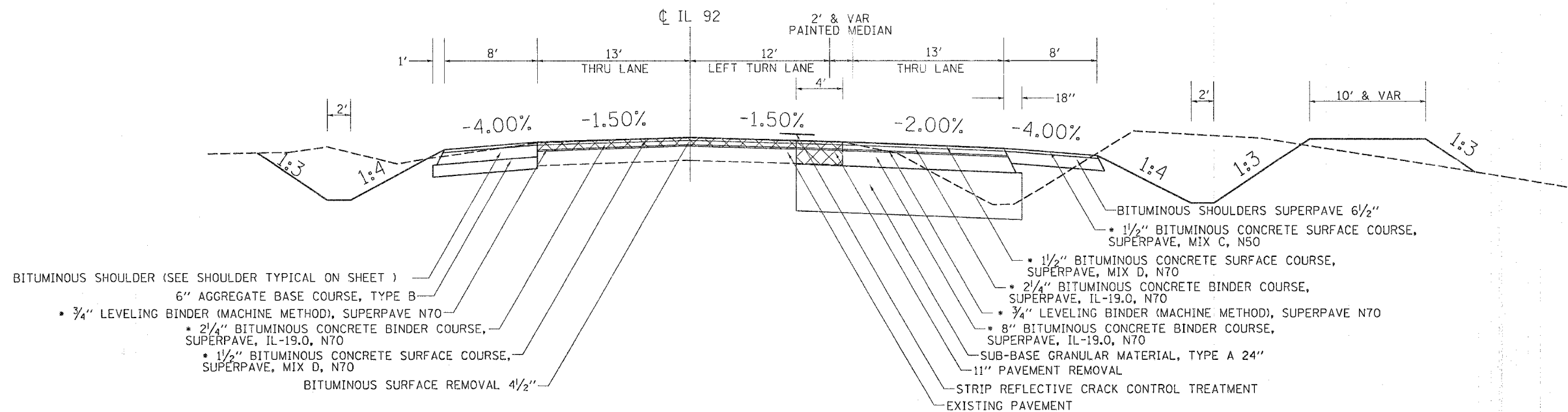


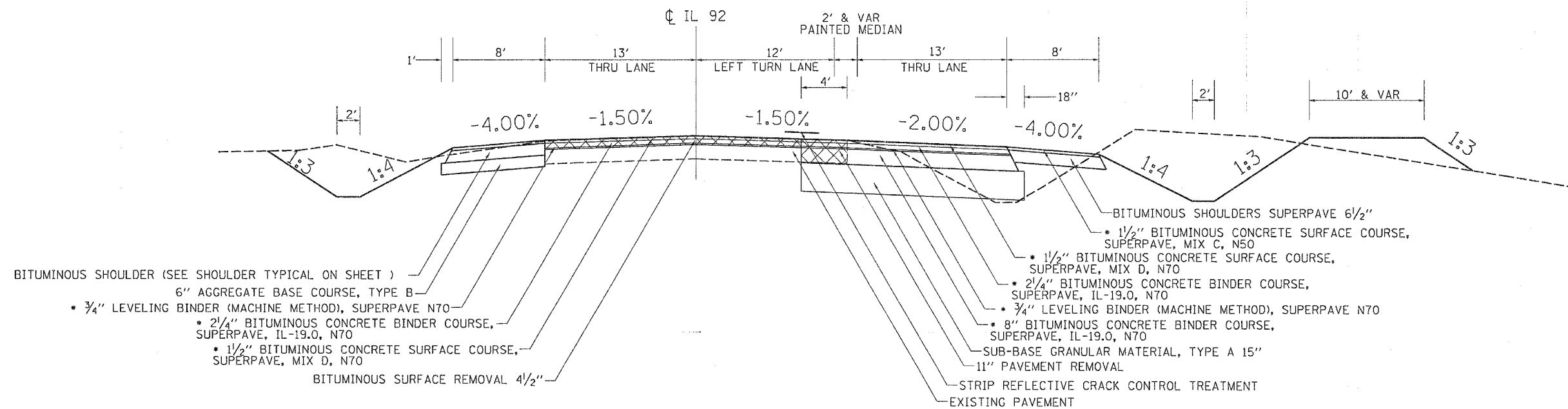
F.A.R. RTE.	SECTION	COUNTY	TOTAL SHEETS	SHEET NO.
555	026-150DM	ROCK ISLAND	116	10
STA.		TO STA.		
FED. ROAD DIST. NO.		ILLINOIS FED. AID PROJECT		

# TYPICAL SECTIONS

STA. 1251+56.63 - STA. 1254+50.00



STA. 1254+50.00 - STA. 1255+50.00



• = 112 LB/SY/IN

PLOT DATE = Wed Jun 21 13:41:16 2006  
 FILE NAME = s:\p\026-150dm\026-150dm\026-150dm.dgn  
 USER NAME = mg111j