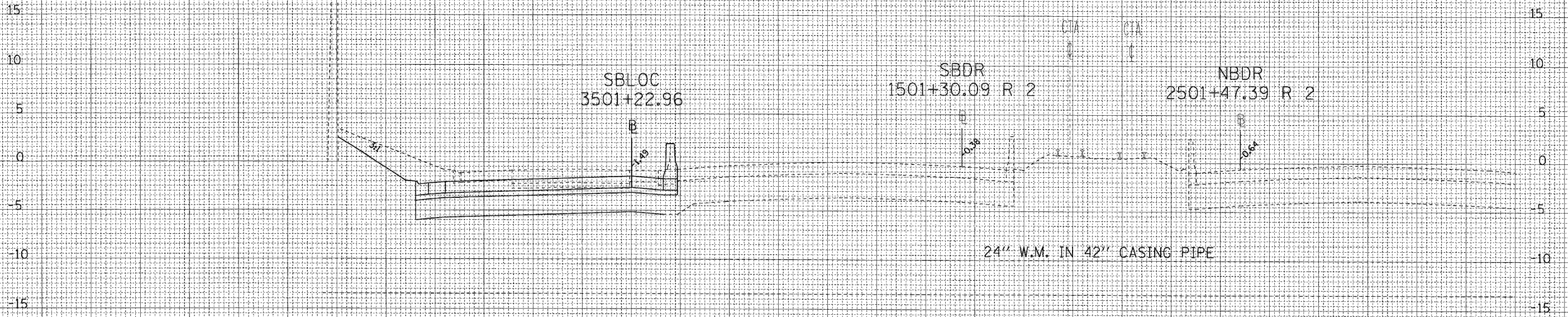
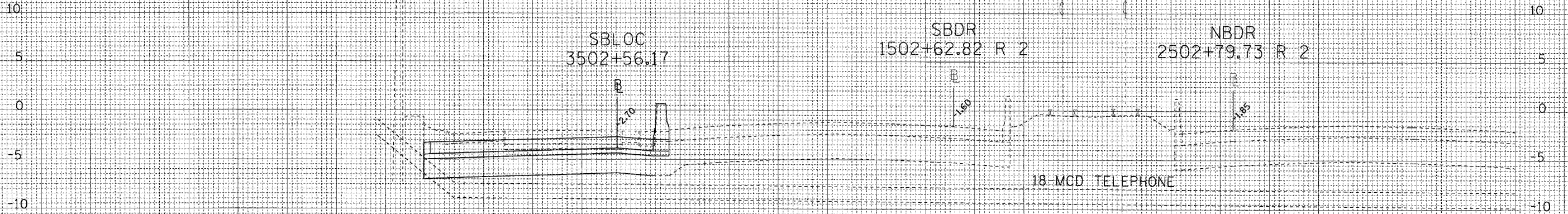


F.A.I. RTE.	SECTION	COUNTY	TOTAL SHEETS	SHEET NO.
90/94		COOK	588	564

FED. ROAD DIST. NO. 1	ILLINOIS FED. AID PROJECT
62303	(2021-922 PT2 ETC 2324.6-1P) R-10

FINAL SURVEY	DATE
SURVEYED _____	
PLOTTED _____	
NOTE BOOK NO. _____	
AREAS CHECKED _____	

ORIGINAL SURVEY	DATE
SURVEYED _____	
PLOTTED _____	
NOTE BOOK NO. _____	
AREAS CHECKED _____	



CTE | AECOM

D:\p-04605\17178 ctrs 18 & 19\cvt\cvt 19\cross sections\vs19_sbloc_utility_2018.rvt