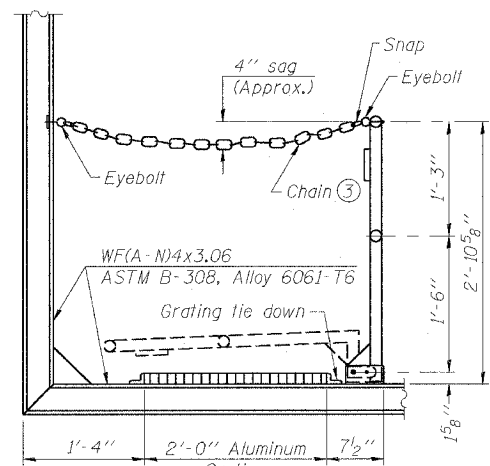
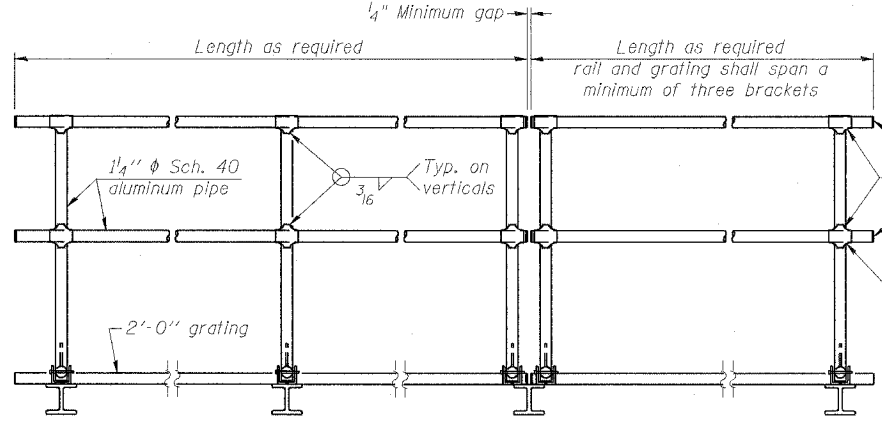


STATE OF ILLINOIS
DEPARTMENT OF TRANSPORTATION

ROUTE NO.	SECTION	COUNTY	TOTAL SHEETS	SHEET
F.A.I. RTE. 90/94		COOK	312	136
FED. AID DIST. NO. 1		ILLINOIS	FED. AID PROJECT	
11919.15 & 2021-922 PT.11 R-1			60A62	



SIDE ELEVATION
(Showing Safety Chain W/O Sign)

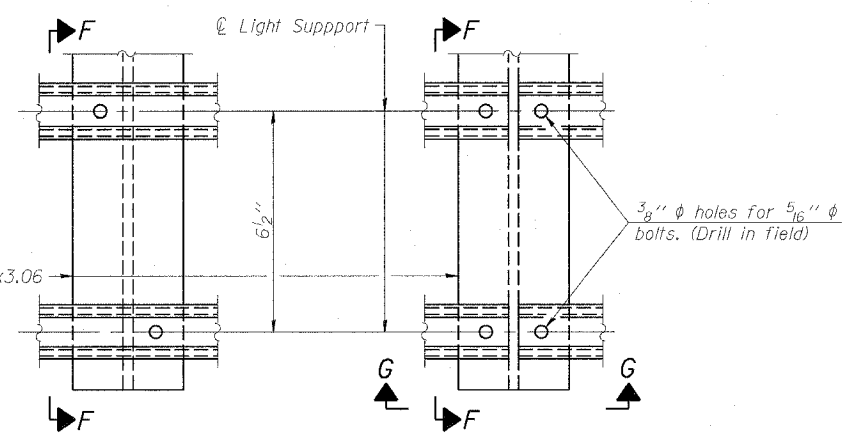


FRONT ELEVATION

HANDRAIL DETAILS

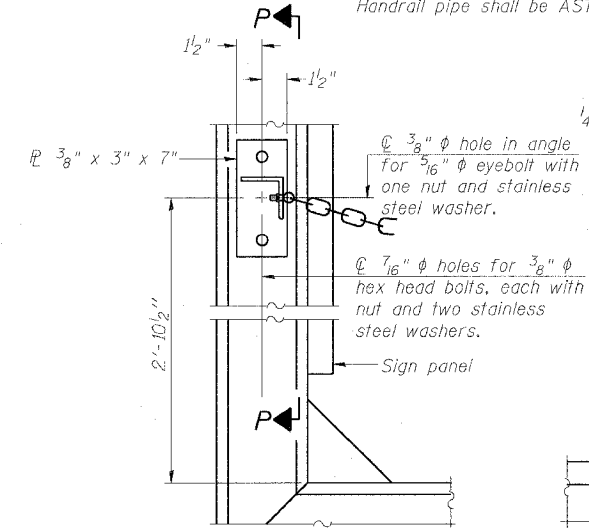
Handrail pipe shall be ASTM B241, Alloy 6063-T6 or Alloy 6061-T6.

- ① Install standard force-fit end caps or weld 1/8" end plates with 1/8" c.f.w. and grind smooth. (All rail ends)
- ② Horizontal handrail member shall be continuous thru fitting. Provide 7/16" hole in fitting for 3/8" bolt. Field drill 7/16" hole in horizontal rail member. Provide locknut and two stainless steel washers for bolt. (Use 5/16" eyebolts in 7/16" holes on top rail at ends only.)

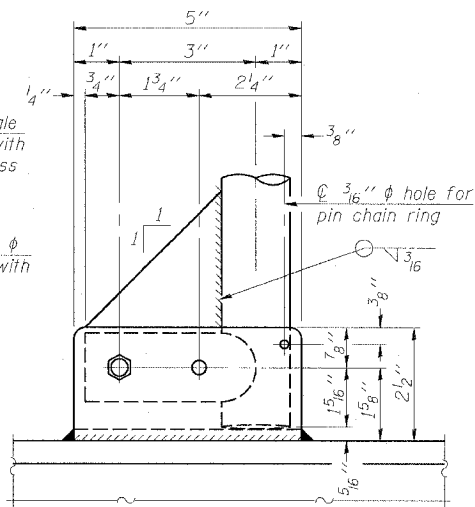


DETAIL F

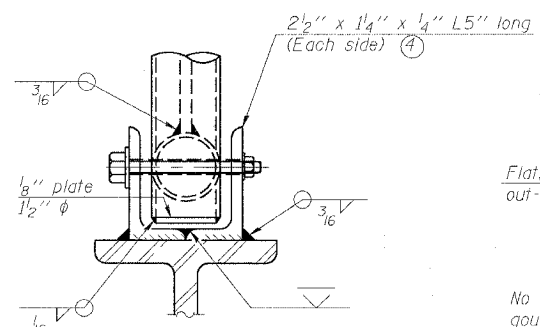
DETAIL G



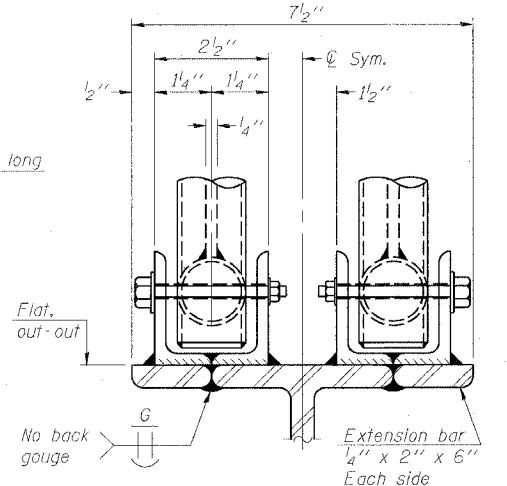
ALTERNATE SAFETY CHAIN ATTACHMENT
(With Sign Present)



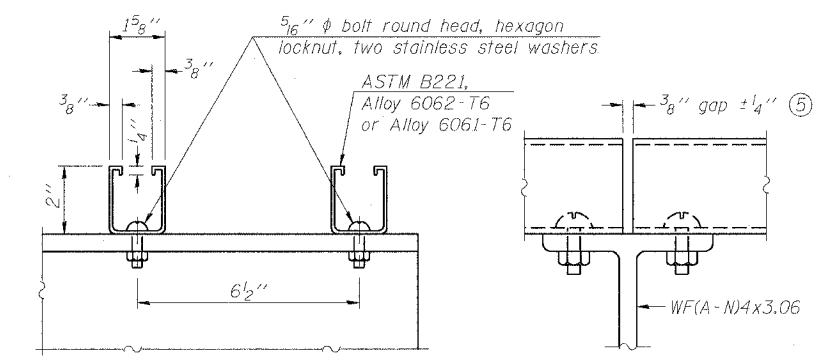
SIDE ELEVATION



FRONT ELEVATION



ELEVATION AT HANDRAIL JOINT ④



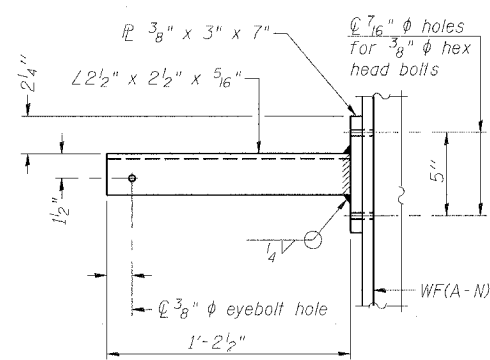
SECTION F-F

SECTION G-G

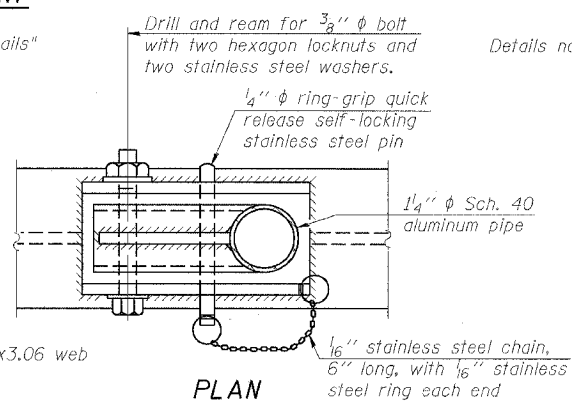
LIGHTING FIXTURE MOUNTS (IF REQUIRED)

- ⑤ Field cut ends of light support channels shall be free of burrs or hazardous projections and coated with zinc-rich primer or equivalent.

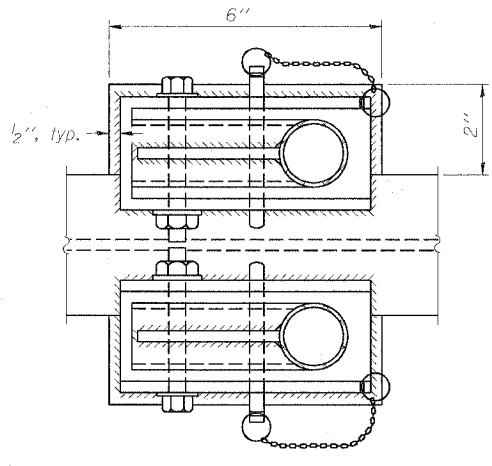
Items not shown same as "Side Elevation" of "Handrail Details"



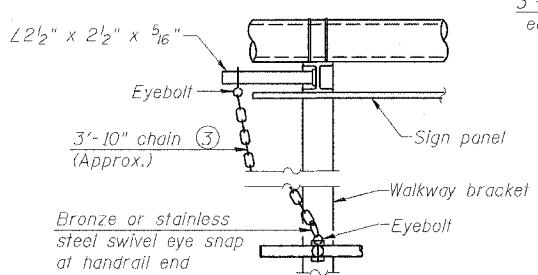
SECTION P-P



DETAIL E HANDRAIL HINGE

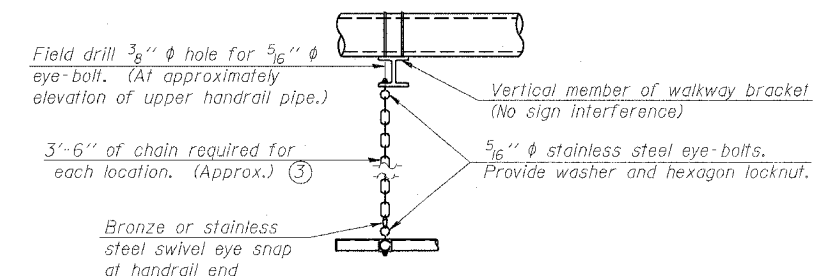


PLAN AT HANDRAIL JOINT
Details not shown same as "PLAN"



ALTERNATE SAFETY CHAIN ATTACHMENT

- ③ 3/16" galvanized steel chain, approximately 12 links per foot. Chain to be hot dip galvanized after manufacture and suitable for prolonged exterior exposure. Alternate materials may be substituted with the Engineer's approval.
- ④ Extrusions may be used in lieu of the details shown, with approval of the Engineer.



SAFETY CHAIN

One required for each end of each walkway.

DESIGNED - JSS	EXAMINED - 20
CHECKED - RDP	PASSED - ENGINEER OF STRUCTURAL SERVICES
DRAWN - JSS	ENGINEER OF BRIDGES AND STRUCTURES
CHECKED - RDP	

OSC-A-8 1-7-05

NUMBER	REVISION	DATE

OSS-9

**CANTILEVER SIGN STRUCTURES
HANDRAIL DETAILS
ALUMINUM TRUSS & STEEL POST**

F.A.I. 90/94 (DAN RYAN EXPRESSWAY)
63RD STREET TO GARFIELD BLVD (NB LOCAL LANES)
PROPOSED IMPROVEMENT
63RD STREET TO GARFIELD BLVD

8/27/2006 11:56:15 AM P:\P\0668\CHINA\0668.ctb 18 & 19 SIGN CHIT 18A SIGNING\SS18\00022.dwg