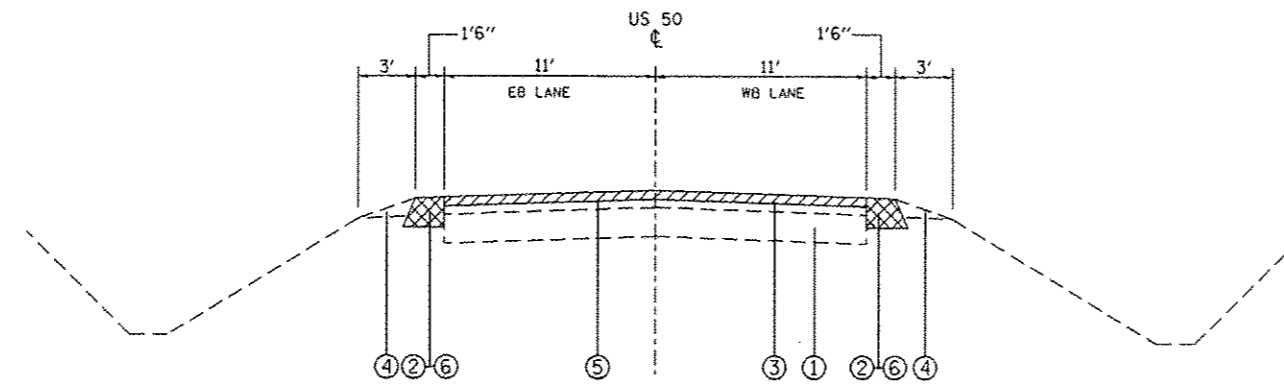


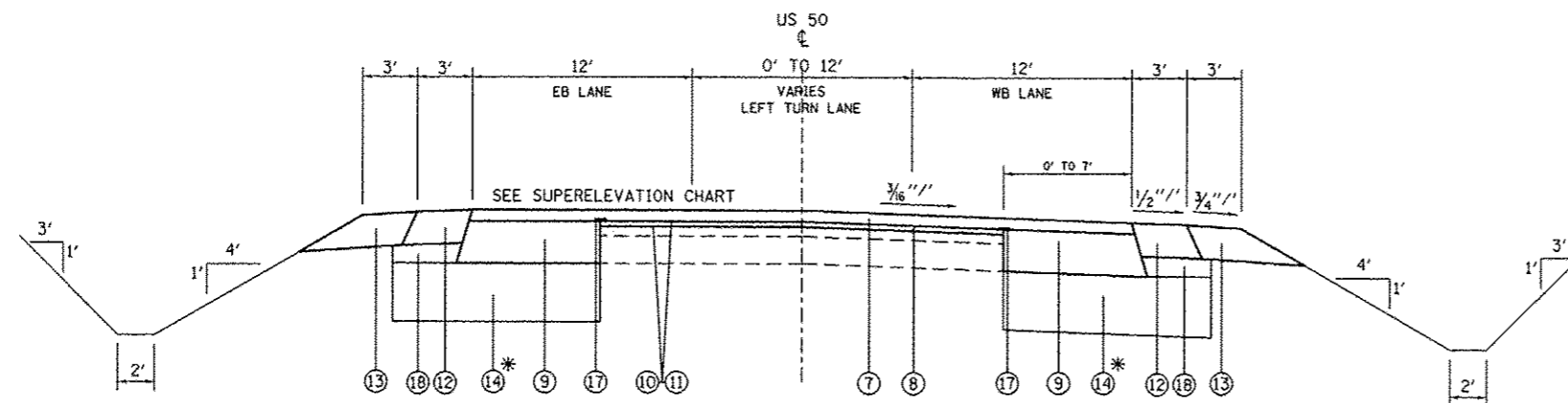
LEGEND

- ① EXISTING PAVEMENT
- ② EXISTING HMA SHOULDER
- ③ EXISTING HMA OVERLAY (THICKNESS VARIES)
- ④ EXISTING AGGREGATE WEDGE
- ⑤ PROPOSED HMA SURFACE REMOVAL, VARIABLE DEPTH
- ⑥ PROPOSED PAVED SHOULDER REMOVAL
- ⑦ PROPOSED HMA SURFACE COURSE, 2.5"
- ⑧ PROPOSED HMA BINDER COURSE, 2"
- ⑨ PROPOSED HMA BINDER COURSE, 8.5"
- ⑩ PROPOSED BIT. MATERIALS (PC)
- ⑪ PROPOSED AGGREGATE MATERIALS (PC)
- ⑫ PROPOSED HMA SHOULDERS, 8"
- ⑬ PROPOSED AGGREGATE SHOULDERS, TYPE B, 8"
- ⑭ PROPOSED MODIFIED SOIL
- ⑮ PROPOSED HMA SURFACE REMOVAL, 1.5"
- ⑯ PROPOSED HMA SURFACE COURSE, 1.5"
- ⑰ PROPOSED STRIP REFLECTIVE CRACK CONTROL TREATMENT
- ⑱ PROPOSED SUBBASE GRANULAR MATERIAL, TYPE C
- ⑲ PROPOSED AGGREGATE BASE COURSE, TYPE A, 8"



EXISTING US 50

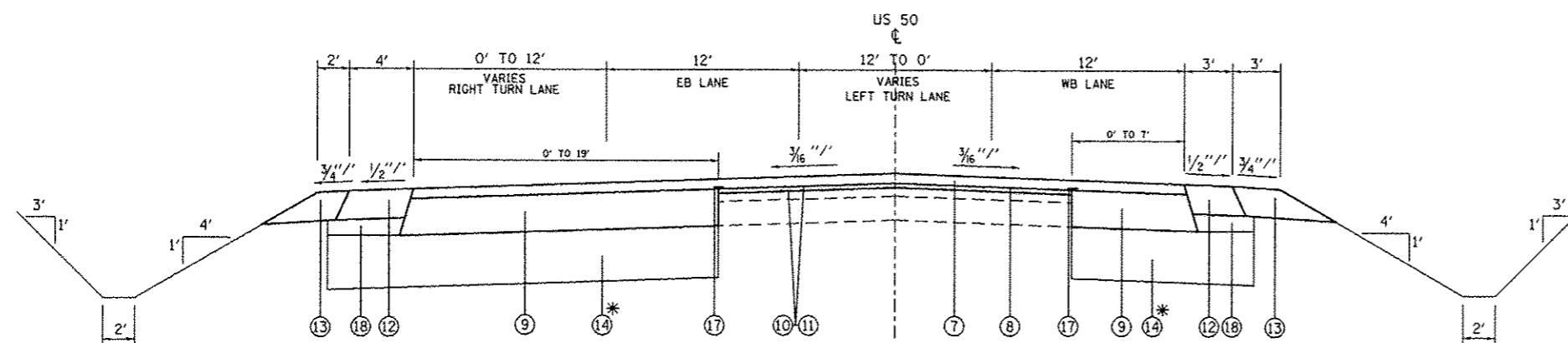
STA. 698+57.54 TO STA. 711+12.13



PROPOSED US 50

STA. 698+57.54 TO STA. 705+00.00

* 12"



PROPOSED US 50

STA. 705+00.00 TO STA. 711+12.13

* 12"

NOTE: STATIONING ON US 50 RUNS FROM EAST TO WEST RATHER THAN THE GENERAL PRACTICE OF WEST TO EAST

FILE NAME :	USER NAME : bargnd	DESIGNED -	REVISED -	STATE OF ILLINOIS DEPARTMENT OF TRANSPORTATION	TYPICAL SECTIONS	F.A.P. RTE.	SECTION	COUNTY	TOTAL SHEETS	SHEET NO.	
o:\pwork\psidot\bargnd\d0160087\d076633-ahtr-plan.dgn	3-ahtr-plan.dgn	DRAWN -	REVISED -			327	21-1-127-1	CLINTON	96	7	
PLOT SCALE : 1/8"=1'-0"		CHECKED -	REVISED -			CONTRACT NO. 76053					
PLOT DATE : 6/15/2012		DATE -	REVISED -			SCALE:	SHEET NO. 1 OF 3 SHEETS	STA.	TO STA.	FED. ROAD DIST. NO.	ILLINOIS FED. AID PROJECT