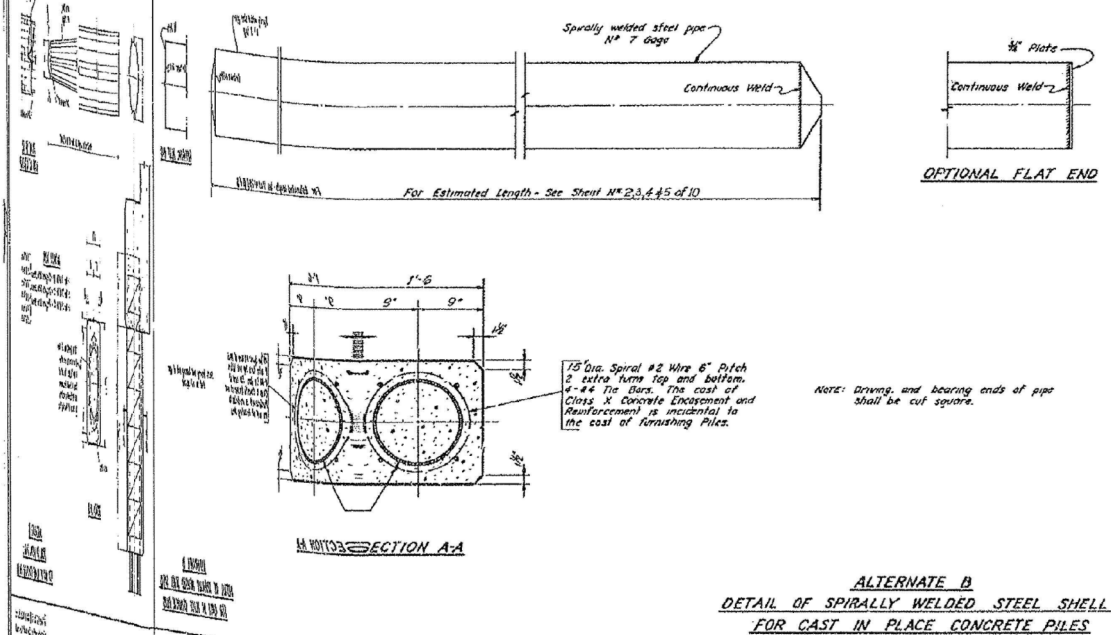


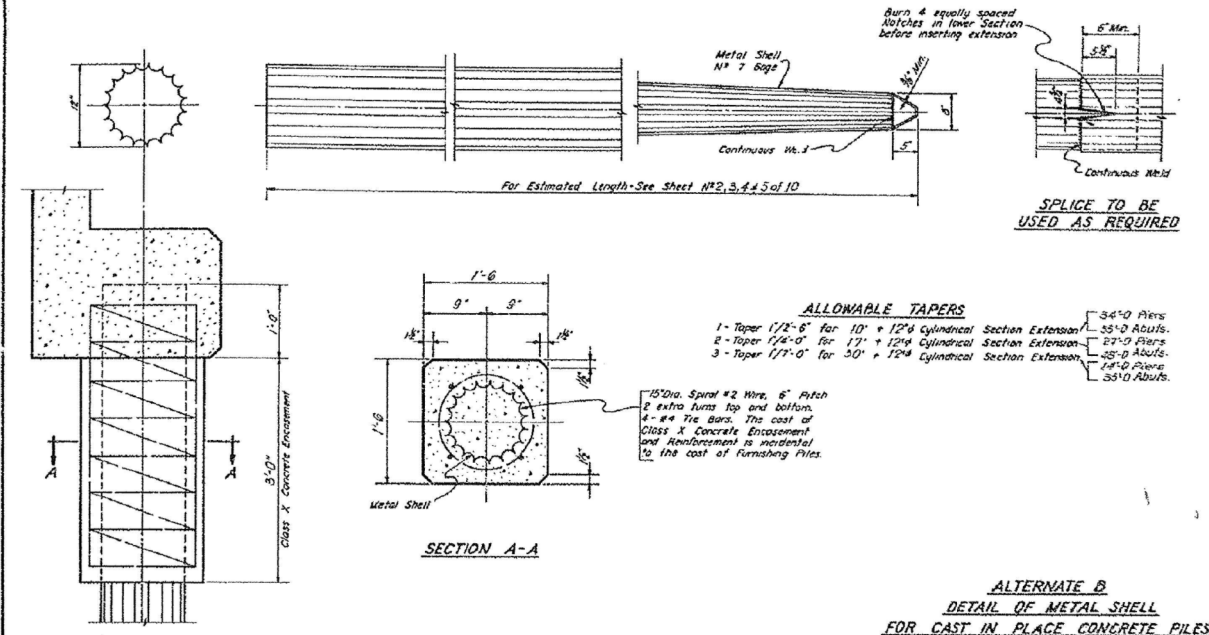
STATE OF ILLINOIS
DEPARTMENT OF PUBLIC WORKS & BUILDINGS
DIVISION OF HIGHWAYS

ROUTE NO.	SEC.	COUNTY	TOTAL SHEETS	SHEET NO.
FAI 74	90-14VB	TAZEWELL	19	18 of 19

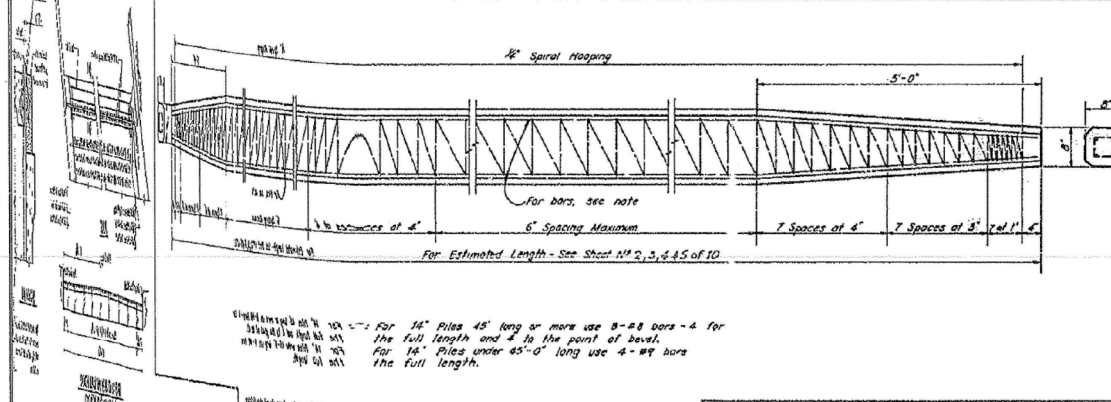
ROUTE No.	SEC.	COUNTY	TOTAL SHEETS	SHEET NO.
FAI 74	90-14VB	TAZEWELL	19	18 of 19



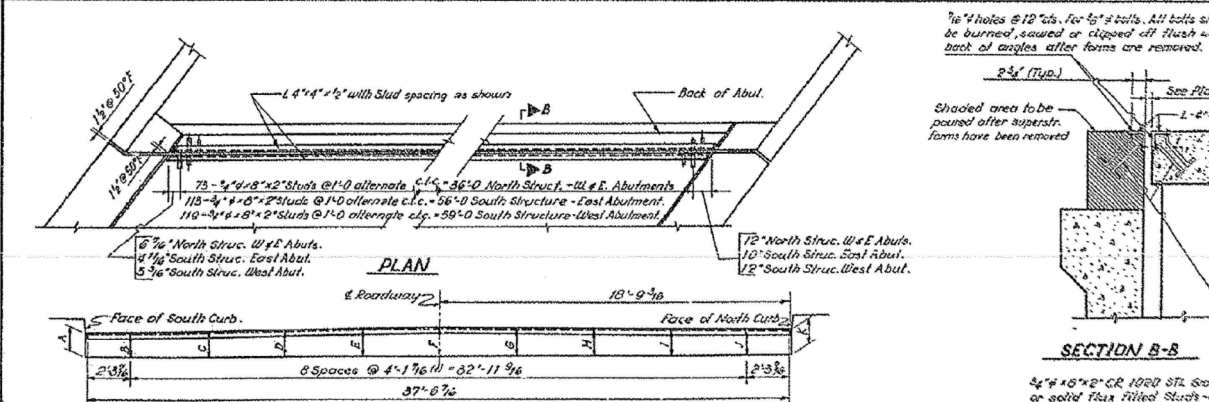
ALTERNATE B
DETAIL OF SPIRALLY WELDED STEEL SHELL
FOR CAST IN PLACE CONCRETE PILES



ALTERNATE B
DETAIL OF METAL SHELL
FOR CAST IN PLACE CONCRETE PILES



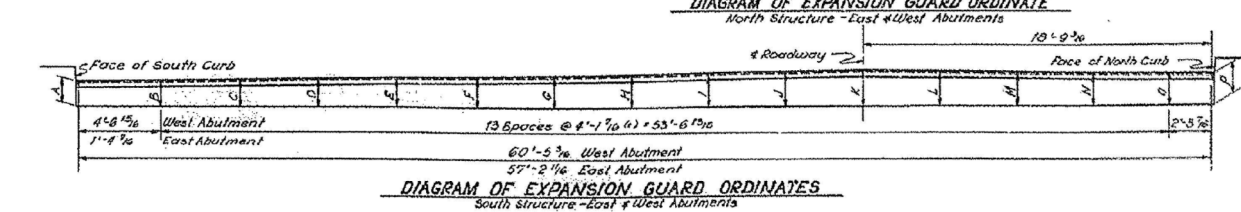
For Estimated Length - See Sheet No. 2, 3, 4, 5 of 10



SECTION B-B
4" x 6" x 20' CR 1000 STL Sponular or solid flat filled studs - automatically end welded (Alternate at 1'-0" cts)

ALTERNATE A
FOR TAPERED PILES - CAST CONCRETE PILES

SECTION	NO.	DEPTH	NO.	DEPTH
1	1	10	1	10
2	2	10	2	10
3	3	10	3	10
4	4	10	4	10
5	5	10	5	10
6	6	10	6	10
7	7	10	7	10
8	8	10	8	10
9	9	10	9	10
10	10	10	10	10



SOUTH STRUCTURE													NORTH STRUCTURE																			
	A	B	C	D	E	F	G	H	I	J	K	L	M	N	O	P		A	B	C	D	E	F	G	H	I	J	K				
West Abut.	1'-4 1/2	1'-5 1/2	1'-6 1/2	1'-7 1/2	1'-8 1/2	1'-9 1/2	1'-10 1/2	1'-11 1/2	1'-12 1/2	1'-13 1/2	1'-14 1/2	1'-15 1/2	1'-16 1/2	1'-17 1/2	1'-18 1/2	1'-19 1/2	West Abut.	1'-5 1/2	1'-6 1/2	1'-7 1/2	1'-8 1/2	1'-9 1/2	1'-10 1/2	1'-11 1/2	1'-12 1/2	1'-13 1/2	1'-14 1/2	1'-15 1/2	1'-16 1/2	1'-17 1/2	1'-18 1/2	1'-19 1/2
East Abut.	1'-4 1/2	1'-5 1/2	1'-6 1/2	1'-7 1/2	1'-8 1/2	1'-9 1/2	1'-10 1/2	1'-11 1/2	1'-12 1/2	1'-13 1/2	1'-14 1/2	1'-15 1/2	1'-16 1/2	1'-17 1/2	1'-18 1/2	1'-19 1/2	East Abut.	1'-4 1/2	1'-5 1/2	1'-6 1/2	1'-7 1/2	1'-8 1/2	1'-9 1/2	1'-10 1/2	1'-11 1/2	1'-12 1/2	1'-13 1/2	1'-14 1/2	1'-15 1/2	1'-16 1/2	1'-17 1/2	1'-18 1/2

PILE DETAIL & EXPANSION GUARD
F.A.I. ROUTE 74 SECTION 90-14VB
F.A.I. ROUTE 74 OVER PENNA RAILROAD
STATION 550+24.84
TAZEWELL COUNTY
WARREN AND VAN PRAAG, INC.
CONSULTING ENGINEERS - DECATUR, ILLINOIS

FOR INFORMATION ONLY

benesch
engineers · scientists · planners
Alfred Benesch & Company
205 North Michigan Avenue, Suite 2400
Chicago, Illinois 60601
312-565-0450 Job No. 10056

FILE NAME =	USER NAME = mbecker	DESIGNED - MFB	REVISED -
xxxxxx.68620.22.exst11.dgn	PLOT SCALE =	CHECKED - MRB	REVISED -
	PLOT DATE = 7/16/2012	DRAWN - MFB	REVISED -
		CHECKED - MRB	REVISED -

STATE OF ILLINOIS
DEPARTMENT OF TRANSPORTATION

EXISTING PLANS 11 OF 11
STRUCTURE NO. 090-0014 / 0015 REMOVAL
SHEET NO. SR22 OF SR22 SHEETS

F.A.I. RTE.	SECTION	COUNTY	TOTAL SHEETS	SHEET NO.
74	90-14VB(14HB-4,14,14HB)BR	TAZEWELL	2433	2090
				CONTRACT NO. 68620
ILLINOIS FED. AID PROJECT				

X:\100005\10056\Engineering\Documents\Phase I\174overRR\Final\xxxxxx.68620.22.exst11.dgn 7:46:57 AM 7/16/2012