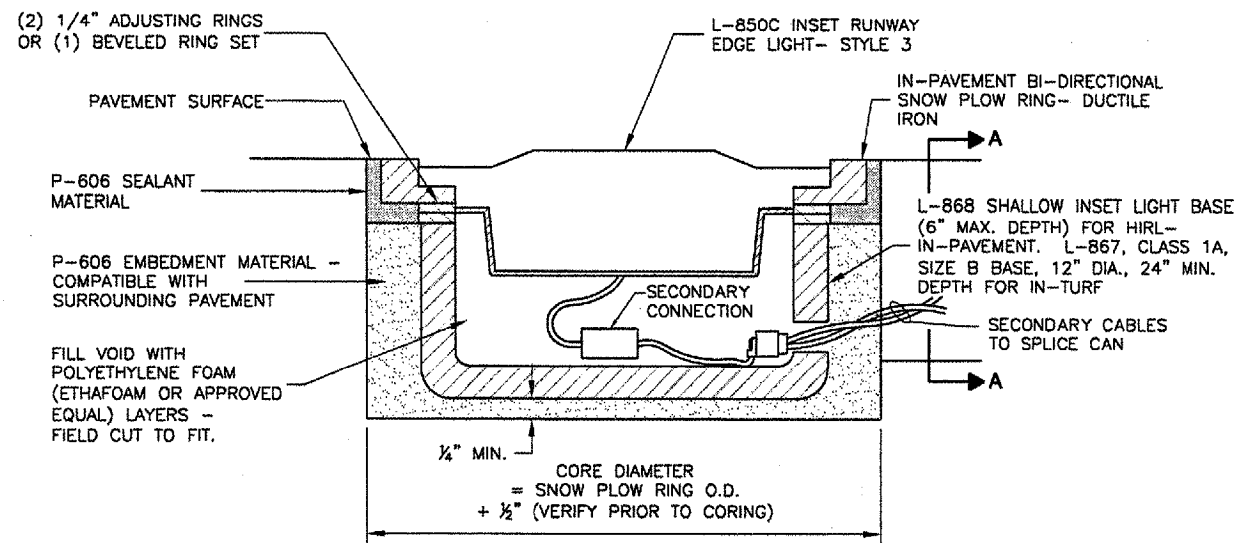
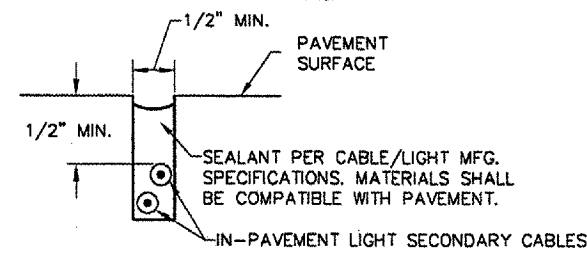


**SPLICE CAN DETAIL**  
N.T.S.

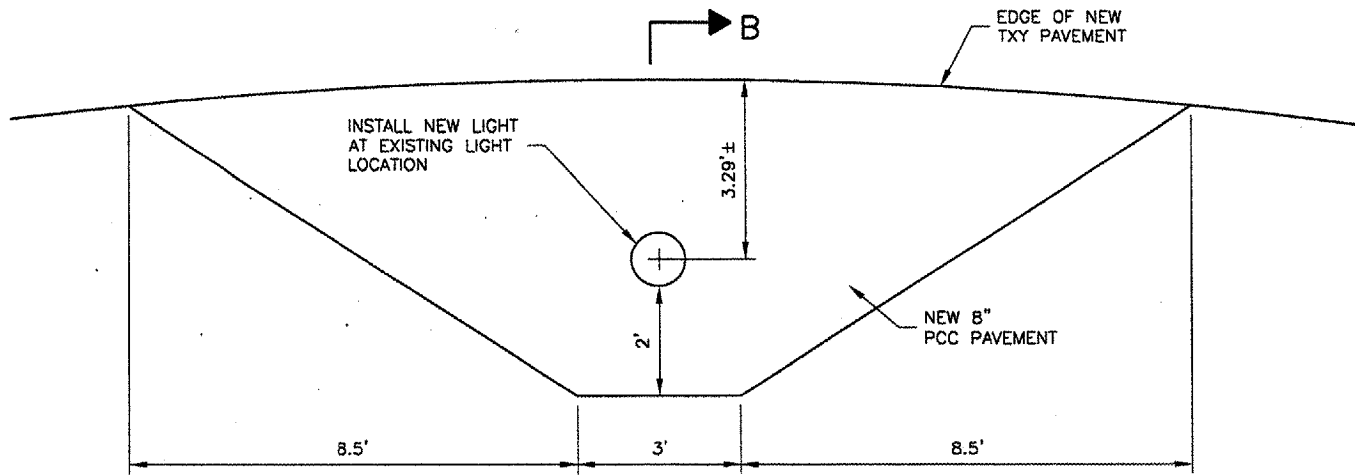


**NEW IN-PAVEMENT LIGHT**  
N.T.S.

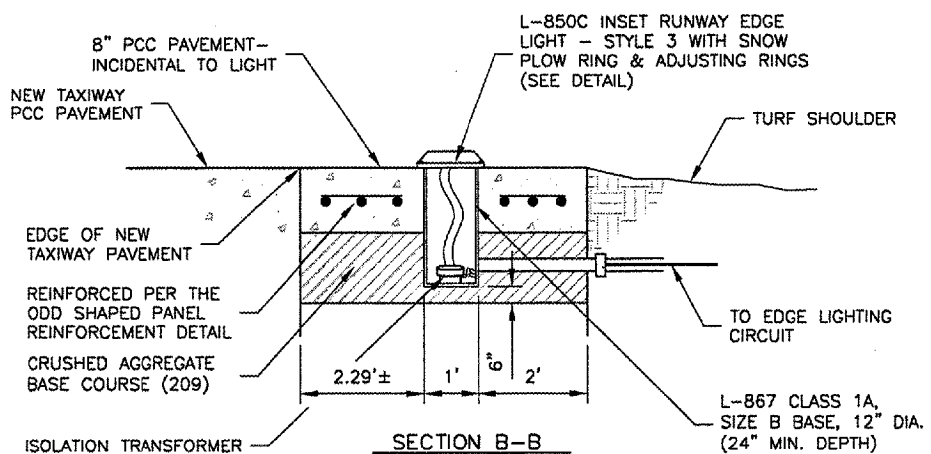


**SECTION A-A**  
**SAW KERF DETAIL**  
N.T.S.

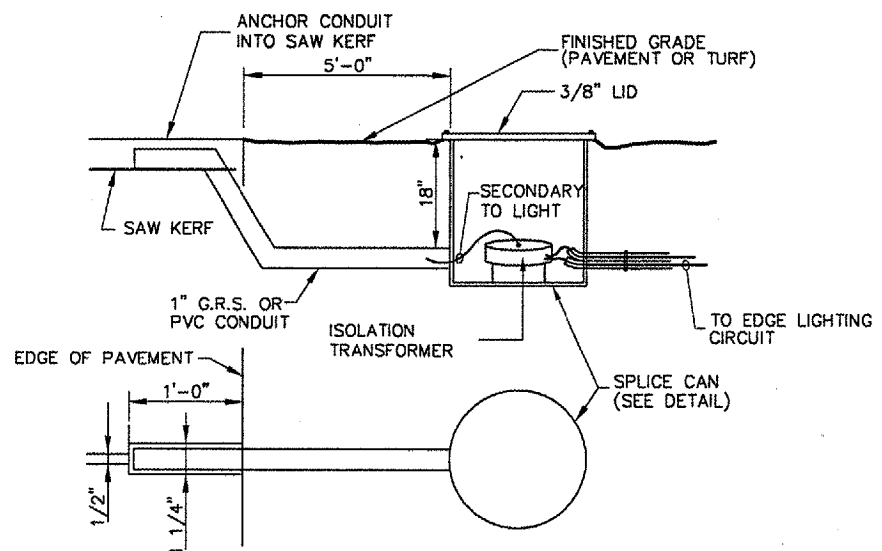
**NOTE:**  
SAW KERF SHALL UTILIZE PCC PAVEMENT JOINTS WHERE APPLICABLE. SAW KERF LOCATIONS SHALL BE APPROVED BY THE AIRPORT PRIOR TO START OF INSTALLATION OPERATIONS.



**PLAN VIEW**



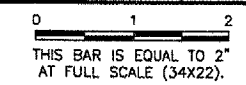
**SEMI-FLUSH RUNWAY LIGHT IN TURF**  
N.T.S.



**SPLICE CAN LOCATION FOR IN-PAVEMENT LIGHT DETAIL**  
N.T.S.

**IN-PAVEMENT RUNWAY EDGE LIGHT DETAIL**  
N.T.S.

REVISIONS		
NUMBER	BY	DATE



**SPRINGFIELD AIRPORT AUTHORITY**  
**ABRAHAM LINCOLN CAPITAL AIRPORT**  
**SPRINGFIELD, ILLINOIS**

**WIDEN TAXIWAY F**  
**ELECTRICAL DETAILS 2**

© Copyright CMT, Inc.  
**CMT**  
 CRAWFORD, MURPHY & TILLY, INC.  
 CONSULTING ENGINEERS  
 License No. 984-000810

DESIGN BY:	RLV
DRAWN BY:	CMT
CHECKED BY:	RW
APPROVED BY:	RW
DATE:	AUGUST 07, 2007
JOB No:	07035-02-00