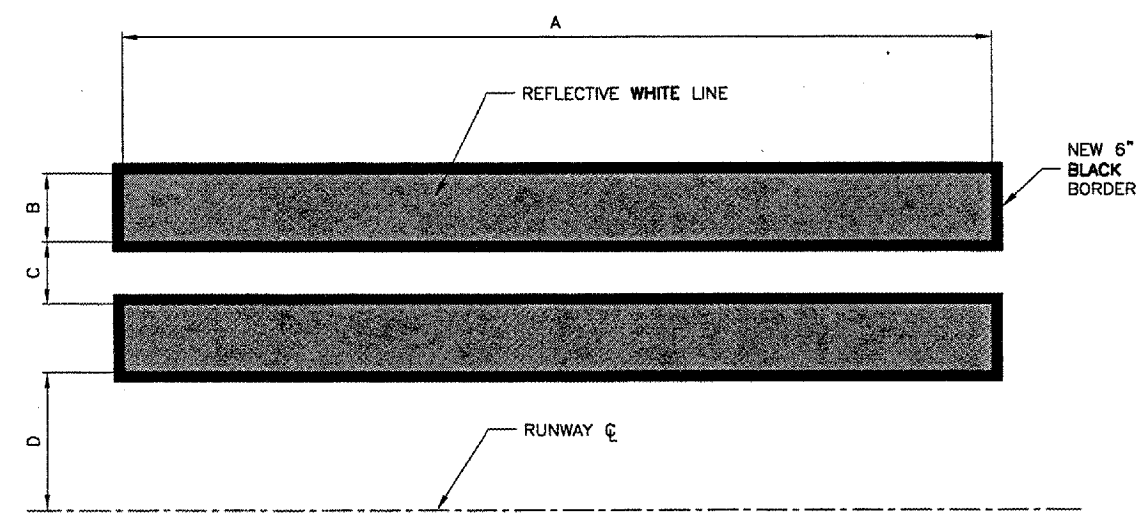
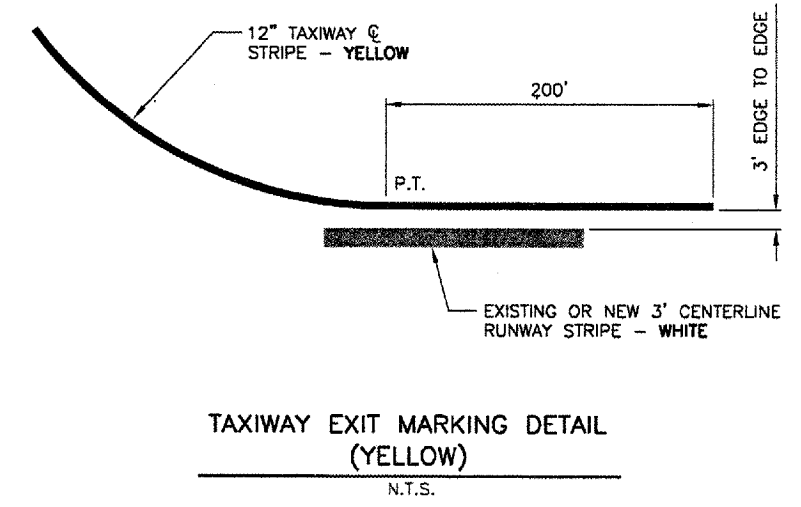
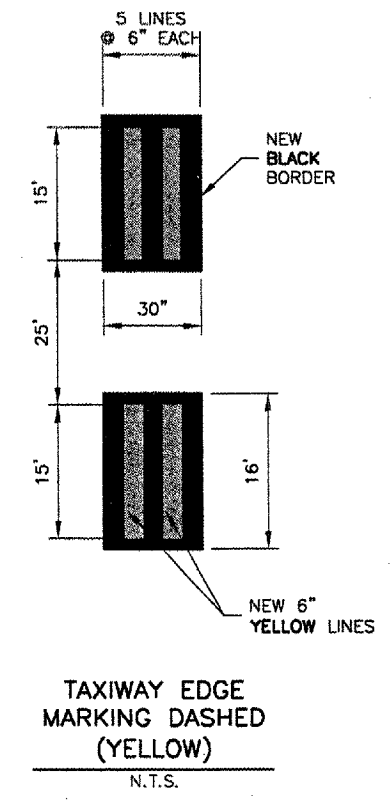
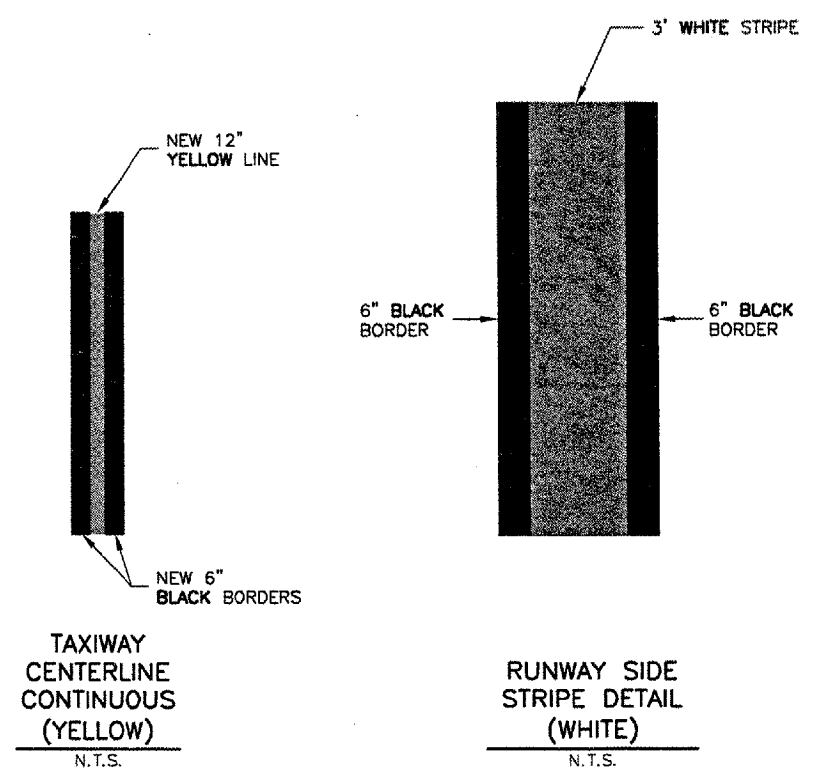
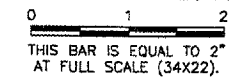
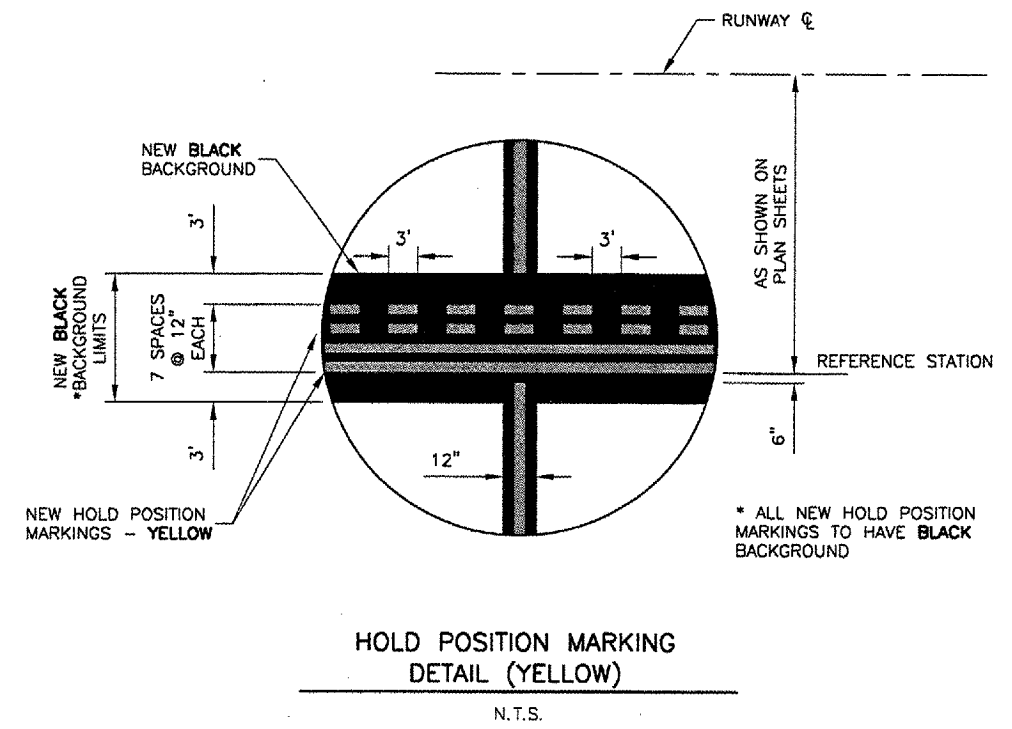


| REVISIONS | | |
|-----------|----|------|
| NUMBER | BY | DATE |
| | | |
| | | |
| | | |



| 150' RUNWAY | | | | |
|--------------------------|-------------|-------|-------|-------|
| MARKING (PER RUNWAY END) | DIMENSION * | | | |
| | A | B | C | D |
| THRESHOLD BAR | 150' | 10' | - | - |
| THRESHOLD MARKER | 150' | 5.75' | 5.75' | 5.75' |
| AIMING POINT MARKING | 150' | 30' | - | 36' |
| TOUCHDOWN ZONE MARKER | 75' | 6' | 5' | 36' |

NOTE:
 1. ALL NEW AIRFIELD MARKING SHALL HAVE REFLECTIVE BEADS & 6" BLACK BORDER



SPRINGFIELD AIRPORT AUTHORITY
 ABRAHAM LINCOLN CAPITAL AIRPORT
 SPRINGFIELD, ILLINOIS

WIDEN TAXIWAY F
 MARKING DETAILS

© Copyright CMT, Inc.
CMT
 CRAWFORD MURPHY & TILLY, INC.
 CONSULTING ENGINEERS
 License No. 04-000615

DESIGN BY: RLV
 DRAWN BY: CMT
 CHECKED BY: RLV
 APPROVED BY: RLV
 DATE: AUGUST 07, 2007
 JOB No: 07035-02-00
 I.L. PROJ. NO. SPI-3711
 AIP PROJ. NO. 3-17-0096-XX
 SHEET 21 OF 31 SHEETS