

211 N. Broadway
Suite 1000
St. Louis, MO 63102
(314) 241-5188
FAX (314) 241-5125

KAI

**PHASE 2B
LEWIS AND CLARK MEMORIAL TOWER
VILLAGE OF HARTFORD, ILLINOIS
HARTFORD, ILLINOIS 62049**

SHEET TITLE:
ELECTRICAL DETAILS

REV. NO.	REMARKS	DATE

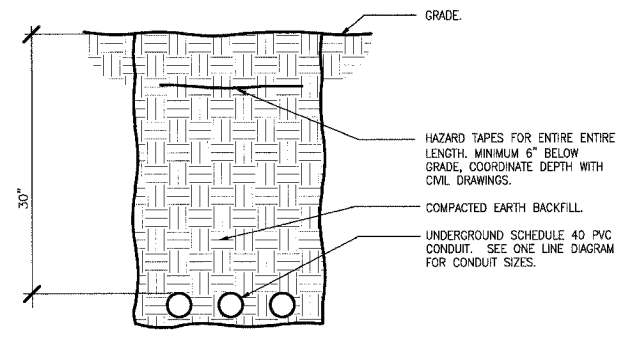
KENNEDY PROJECT NO
KAI 10-02048

ISSUE DATE
12-JULY-05

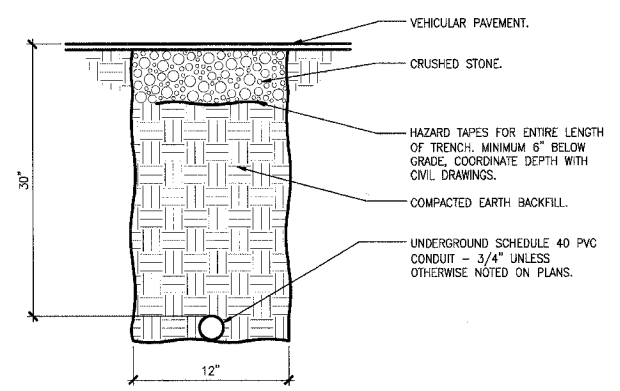
SHEET NO

E6-02

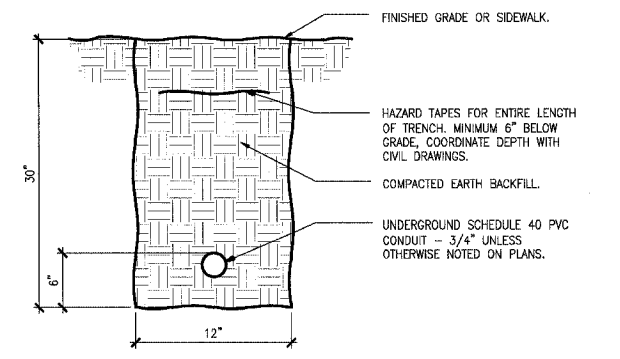
© 2005 KENNEDY ASSOCIATES INCORPORATED



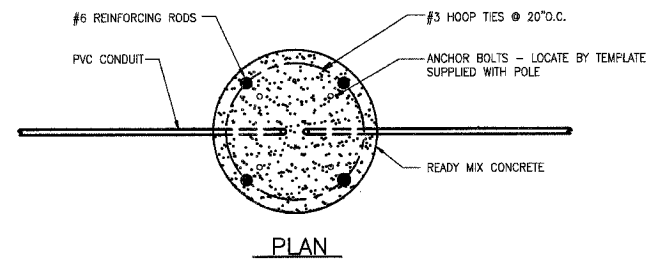
D SECONDARY SERVICE ENTRANCE DUCTBANK
NO SCALE



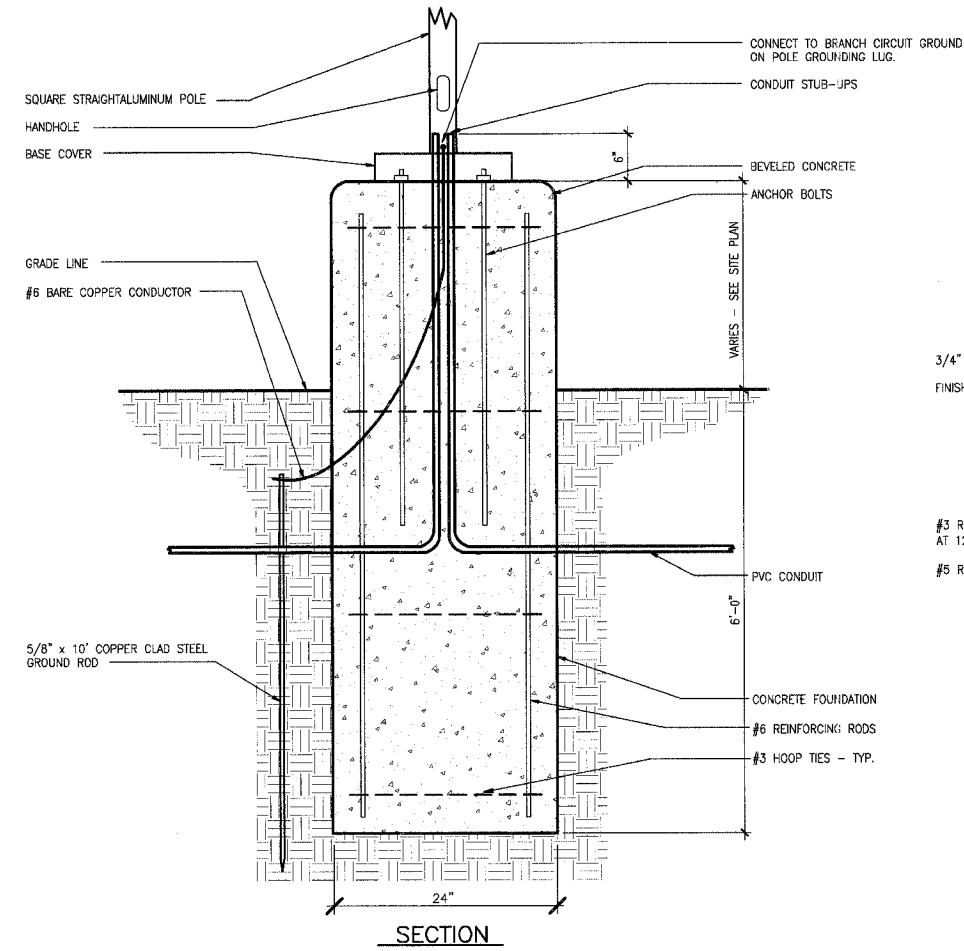
E CONDUIT TRENCH UNDER VEHICULAR PAVEMENT
NO SCALE



F CONDUIT TRENCH IN GRASS OR UNDER SIDEWALK
NO SCALE

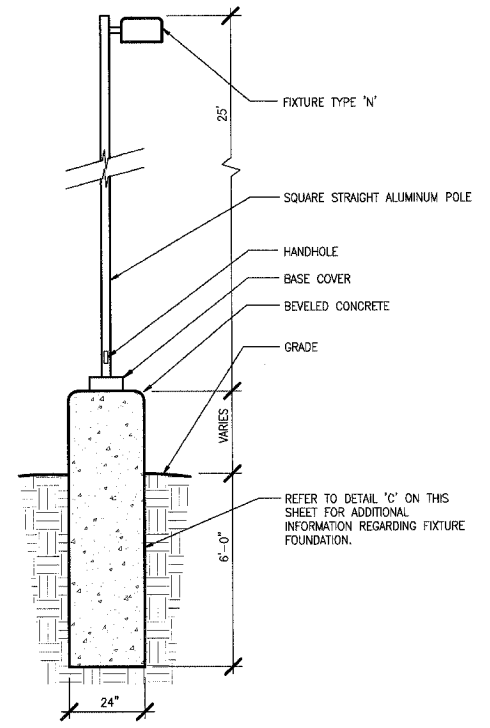


PLAN

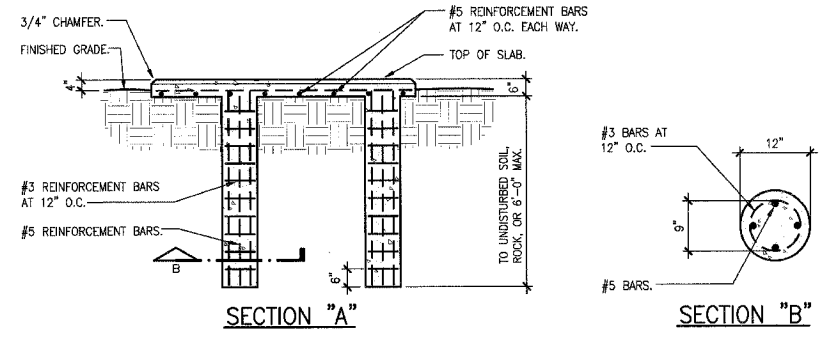


SECTION

C SITE LIGHTING FIXTURE FOUNDATION DETAIL
NO SCALE
TYPICAL FOR FIXTURES K AND N.

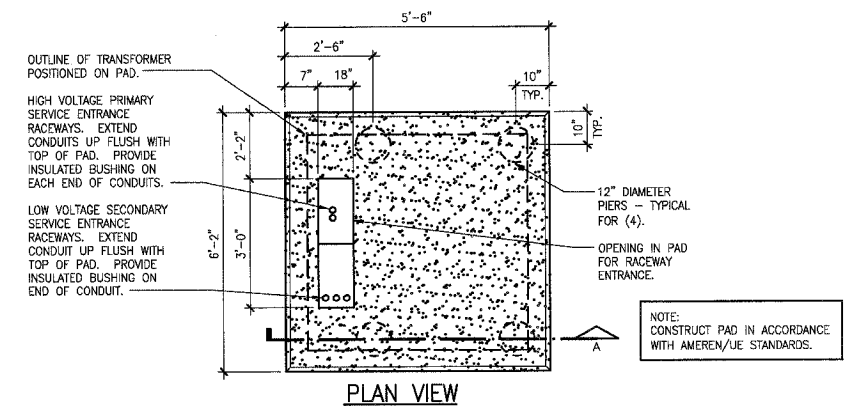


A SITE LIGHTING FIXTURE DETAIL "TYPE N"
NO SCALE



SECTION "A"

SECTION "B"



PLAN VIEW

B TRANSFORMER PAD DETAIL
NO SCALE

F:\2002\10-02048\600050\EBB-02.DWG | 12/1/2005 5:10:13 PM | Xref: TB2436CUL | Incsignt: none