

FEDERAL AID PROJECT

GENERAL NOTES:

1. ALL DOOR DIMENSIONS ARE 3'-0" x 7'-0" UNLESS NOTED OTHERWISE.
2. SEE FINISH SCHEDULE FOR DOOR AND FRAME FINISHES.

KEYED NOTES:

- 04-22 8" CONCRETE MASONRY UNIT
- 04-23 6" CONCRETE MASONRY UNIT
- 04-62 COMPRESSIBLE FILLER
- 10-10 TACTILE SIGN PLATE
- 10-25 ACCESSIBLE TOILET TISSUE DISPENSER
- 10-26 36" GRAB BAR
- 10-27 42" GRAB BAR
- 10-29 ACCESSIBLE SOAP DISPENSER
- 10-31 ACCESSIBLE SANITARY NAPKIN DISPOSAL
- 10-42 MIRROR
- 10-46 UTILITY SHELF WITH HOOKS
- 10-50 ELECTRIC HAND DRYER
- 15-11 ACCESSIBLE WATER CLOSET

211 N. Broadway
Suite 100
St. Louis, MO 63102
(314) 241-0100
(314) 241-0108
FAX (314) 241-0108



PHASE 2B
LEWIS AND CLARK MEMORIAL TOWER
VILLAGE OF HARTFORD, ILLINOIS
HARTFORD, ILLINOIS 62049

SHEET TITLE
**MOUNTING HEIGHTS/
PARTITION TYPES
DOOR INFORMATION**

DATE	REMARKS	REV. NO.

KENNEDY PROJECT NO
KAI# 10-02048

ISSUE DATE
12-JULY-05

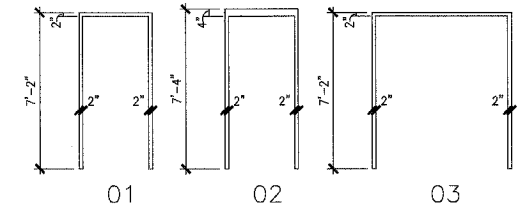
SHEET NO

A2-01

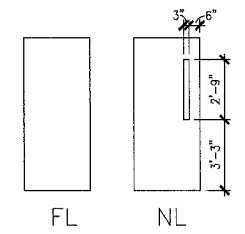
DOOR TYPE	DOOR ELEV.	DOOR MATERIAL	FRAME ELEV.	DOOR RATING	REMARKS
A					NOT USED
B	NL	HM/GL	01		PROVIDE PATTERNED GLASS IN LITE
C					NOT USED
D					NOT USED
E	FL	HM	02		
F					NOT USED
G	FL	HM	03		

FL	FLUSH
NL	NARROW LITE

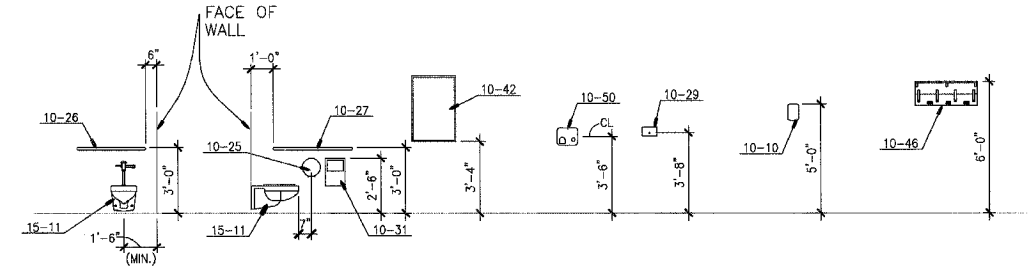
HM	HOLLOW METAL
----	--------------



FRAME ELEVATION
1/4"=1'-0"



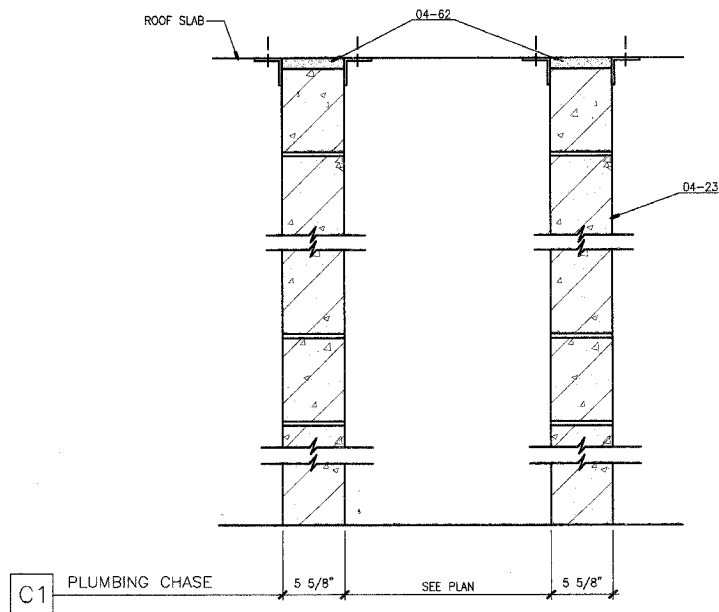
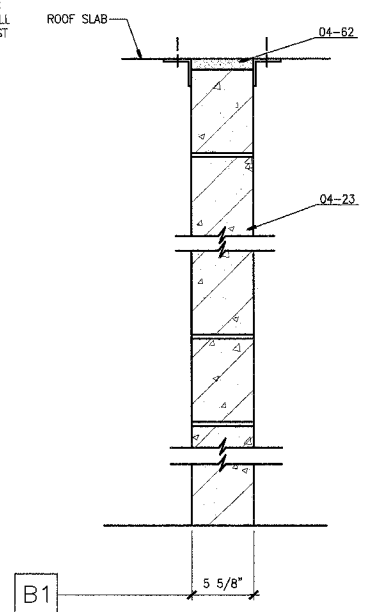
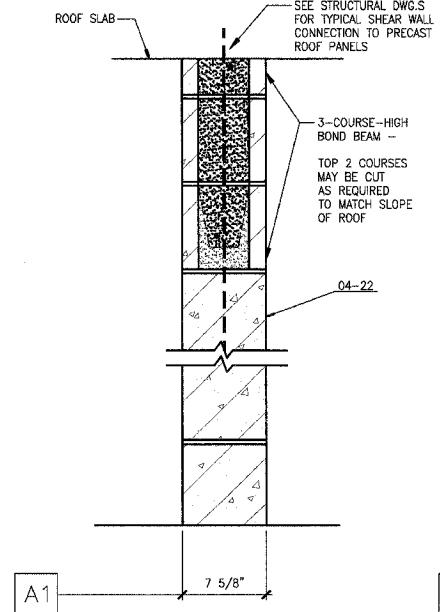
DOOR ELEVATIONS
1/4"=1'-0"



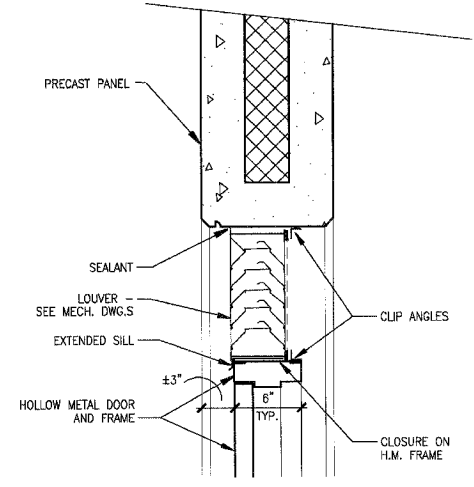
TYP. MOUNTING HEIGHTS
1/4"=1'-0"

ROOM NO.	ROOM NAME	FLOOR	WALLS	CEILING FINISH	CEILING HEIGHT	REMARKS
110	WOMEN	SC	HPC	HPC	VARIES	PAINT DOORS & FRAMES WITH HPC
111	MEN	SC	HPC	HPC	VARIES	PAINT DOORS & FRAMES WITH HPC
112	ELECTRICAL / JANITOR	SC	---	---	VARIES	PAINT DOORS & FRAMES WITH HPC
113	STORAGE	SC	---	---	VARIES	PAINT DOORS & FRAMES WITH HPC

SC SEALED CONCRETE
HPC HIGH PERFORMANCE COATING



PARTITION TYPES
1-1/2"=1'-0"



DOOR FRAME / LOUVER DETAIL
1-1/2"=1'-0"