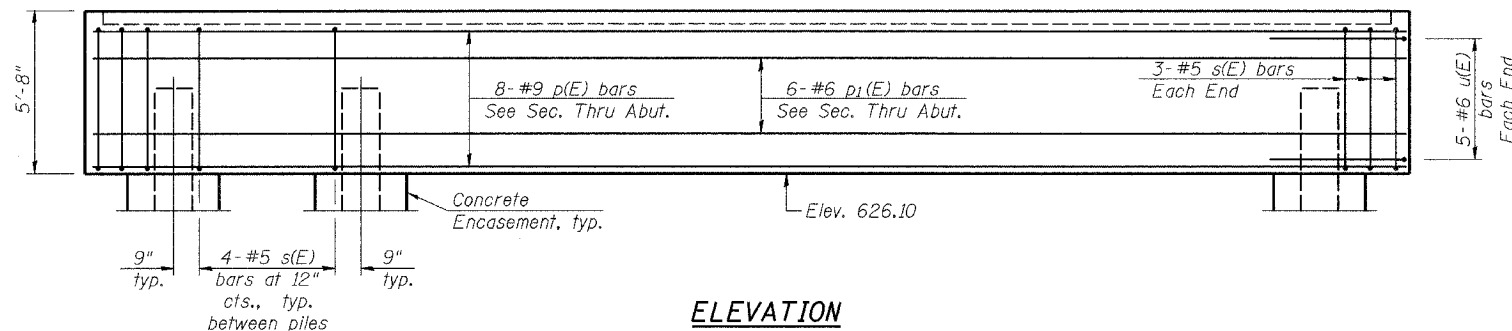
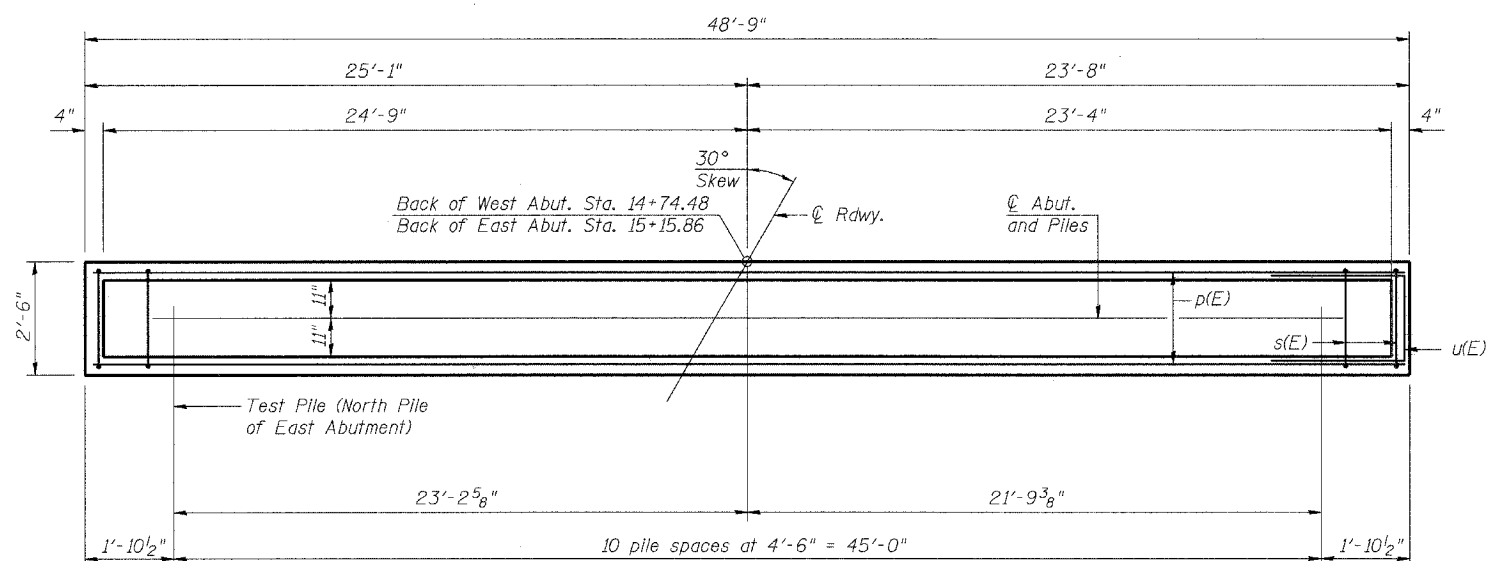


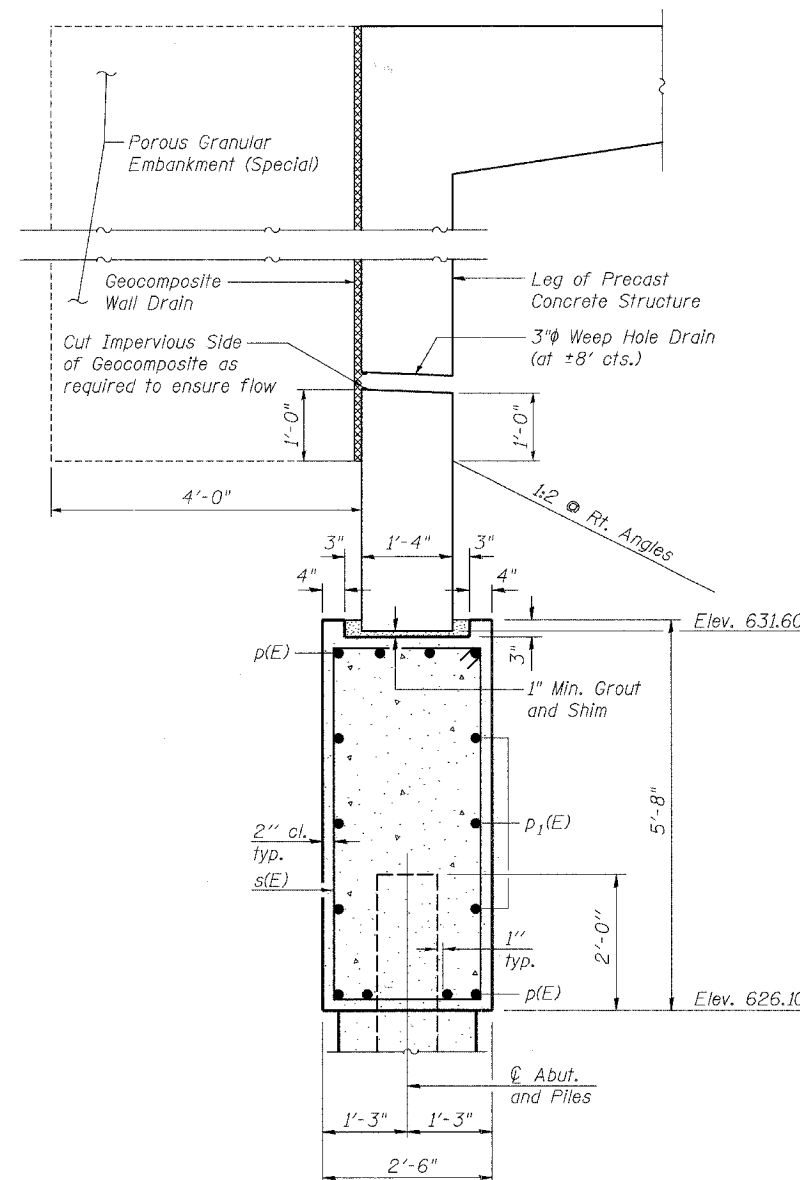
F.A.U. RTE.	SECTION	COUNTY	TOTAL SHEETS	SHEET NO.
7622 06-00085-00-BR		COLES	16	12
STA. 14+00		TO STA. 15+80		
FED. ROAD DIST. NO.	ILLINOIS	FED. AID PROJECT		



ELEVATION



PLAN



SECTION THRU ABUTMENT

BILL OF MATERIAL
(Both Abutments)

Bar	No.	Size	Length	Shape
p(E)	16	#9	48'-5"	—
p1(E)	12	#6	48'-5"	—
s(E)	92	#5	15'-5"	□
u(E)	20	#6	11'-1"	┌
Item	Unit	Quantity		
Structure Excavation	Cu. Yd.	400		
Concrete Structures	Cu. Yd.	49.5		
Reinforcement Bars, Epoxy Coated	Pound	5320		
Furnishing Steel Piles, HP 10x42	Foot	945		
Driving Piles	Foot	945		
Test Pile, Steel HP 10x42	Each	1		
Concrete Encasement	Cu. Yd.	7.7		
Geocomposite Wall Drain	Sq. Yd.	95		
Porous Granular Embankment (Special)	Cu. Yd.	158		

NOTES

The Steel H-piles shall be according to AASHTO M270 Grade 50.

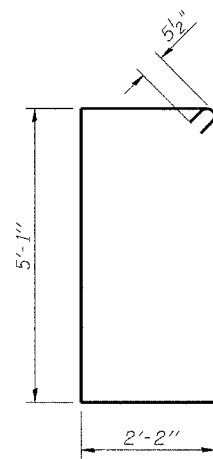
The test pile(s) shall be driven to 110 percent of the Nominal Required Bearing indicated in the pile data information.

For details of piles and Concrete Encasement, see sheet 5 of 6.

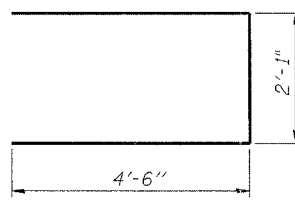
Excavation behind existing abutment walls shall be performed to balance front and back soil pressure before removing the existing superstructure.

PILE DATA

Type: Steel HP 10x42
 Nominal Required Bearing: 270 kips
 Factored Resistance Available: 90 kips
 Est. Length: 45 ft.
 No. Production Piles: 21
 No. Test Piles: 1



BARS s(E)



BAR u(E)

PLOT DATE = 6/25/2007
 PLOT SCALE = 1/8" = 1'-0"
 USER NAME = USER

REVISIONS	
NAME	DATE

ILLINOIS DEPARTMENT OF TRANSPORTATION
ABUTMENT DETAILS
 JACKSON AVE. OVER TOWN BRANCH CREEK
 SECTION 06-00085-00-BR
 CITY OF CHARLESTON STA. 14+95.17
 STRUCTURE NO. 015-6340

SCALE: VERT. _____
 HORIZ. _____
 DATE _____ DRAWN BY SAE
 CHECKED BY BJF