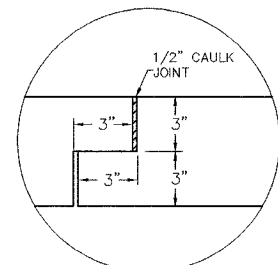
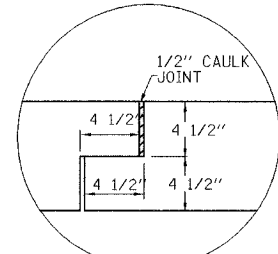
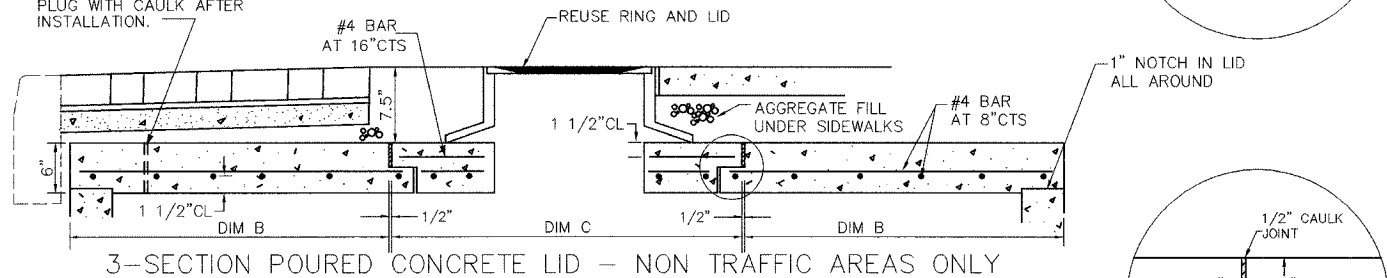


# DOMESTIC & FIRE PROTECTION COMBINATION WELL DETAIL

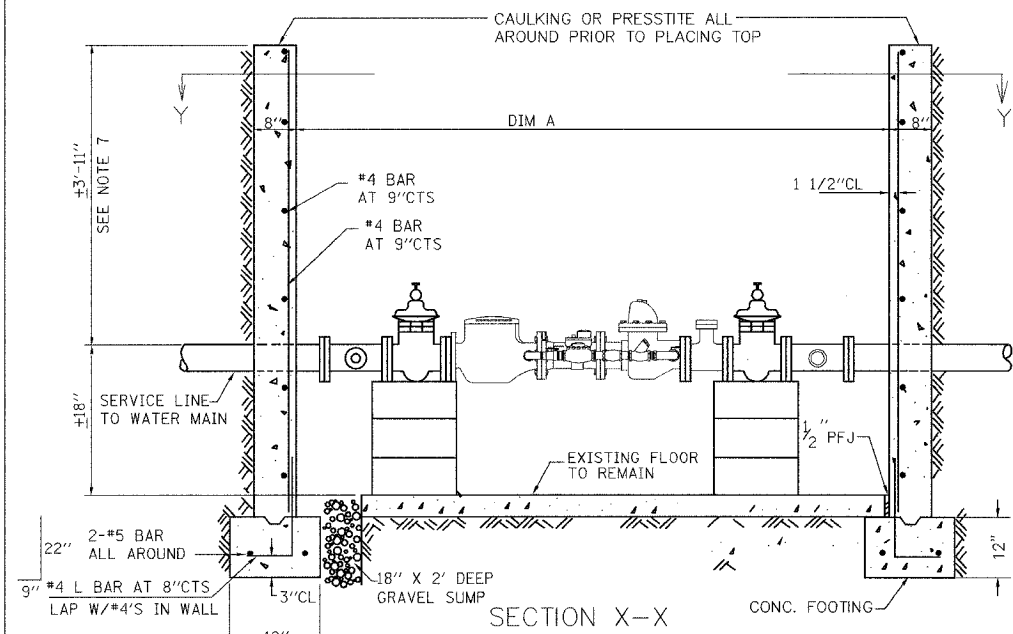
| MUNICIPALITY | SECTION        | COUNTY | TOTAL SHEETS | SHEET NO. |
|--------------|----------------|--------|--------------|-----------|
| QUINCY       | 06-00300-00-LS | ADAMS  | 69           | 64        |

THIS DETAIL APPLIES TO THE METER PIT AT 930 MAINE.

PROVIDE 1" HOLES - TWO PER SECTION FOR LIFTING CABLES HOOKED TO A BACKHOE BUCKET. PLUG WITH CAULK AFTER INSTALLATION.



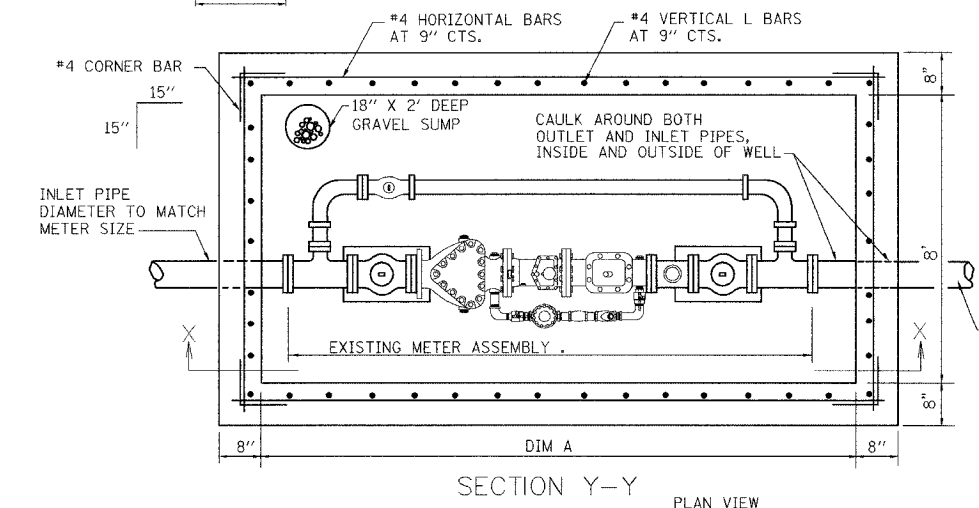
3-SECTION POURED CONCRETE LID - NON TRAFFIC AREAS ONLY



| DIMENSIONS PER LINE SIZE |       |        |       |
|--------------------------|-------|--------|-------|
| LINE SIZE                | 4"    | 6"     | 8"    |
| A                        | 13'   | 14'    | 15'   |
| B                        | 4'-8" | 4'-11" | 5'-3" |
| C                        | 5'-0" | 5'-4"  | 5'-9" |

### NOTES:

- FOR 4" SERVICE LINES, AN 8' X 13' INSIDE WELL SHALL BE PROVIDED. FOR 6" SERVICE LINES, AN 8' X 14' INSIDE WELL SHALL BE PROVIDED. FOR 8" SERVICE LINES, AN 8' X 15' INSIDE WELL SHALL BE PROVIDED.
- EXISTING METER TO REMAIN.
- PROVIDE KEYWAY IN CONCRETE FOOTING.
- AT THE OPTION OF THE CONTRACTOR, 24" HIGH L BARS CAN BE SET WITH THE FOOTING. VERTICAL STEEL FOR WALLS CAN BE LAPPED AND TIED TO L BARS.
- BACKFILL AROUND WELL EITHER AGGREGATE OR COMPACTED EARTH. AGGREGATE REQUIRED IN TRAFFIC AREAS.
- COST OF FURNISHING AND PLACING REINFORCEMENT BARS INCIDENTAL.



SECTION Y-Y PLAN VIEW

SEPT, 02

# TEMPORARY WALKWAY

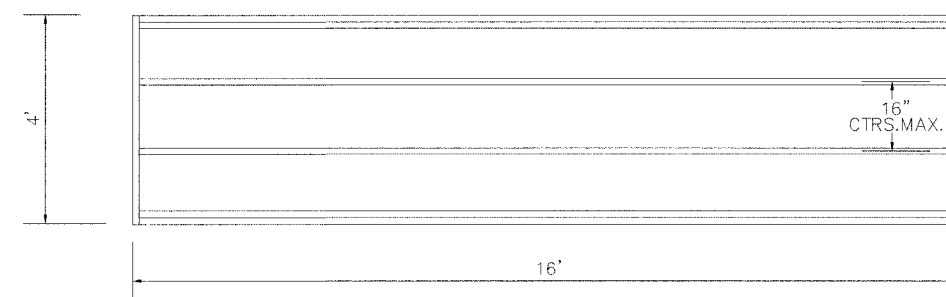
(OVER VAULTED AREA)

### NOTES:

- The longitudinal supports for the bridge shall be full length. Splicing not allowed.
- Contractor responsible for moving bridge to accommodate his work activity.
- Bridge to be in place over vaulted area until filling is completed.
- Bridge to remain the property of the contractor after job completion.
- Last 2' of bridge plywood at both ends shall be painted bright orange.

GENERAL NOTE:  
THIS IS FOR TEMPORARY SHORT TIME USE ONLY AND IS NOT ADA COMPLIANT. A SEPARATE ENTRANCE ACCESSIBLE TO THE HANDICAPPED TO BE MAINTAINED.

2X8 FRAMEWORK FOR PEDESTRIAN BRIDGE - YELLOW PINE  
DOUBLE UP THE 2X8 EACH END  
COVER WITH 3/4" PLYWOOD



STANDARD WROUGHT IRON PEDESTRIAN RAILING FROM COMMERCIAL SOURCES TO BE PLACED ON BOTH SIDES

