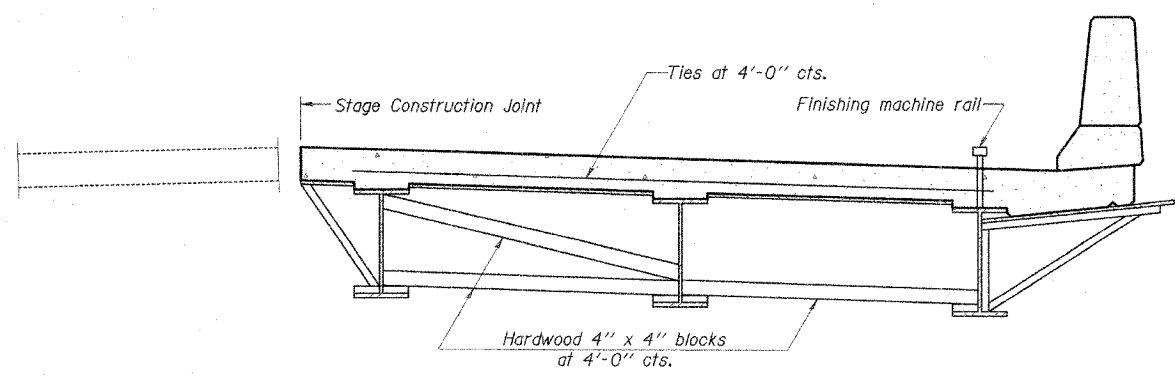


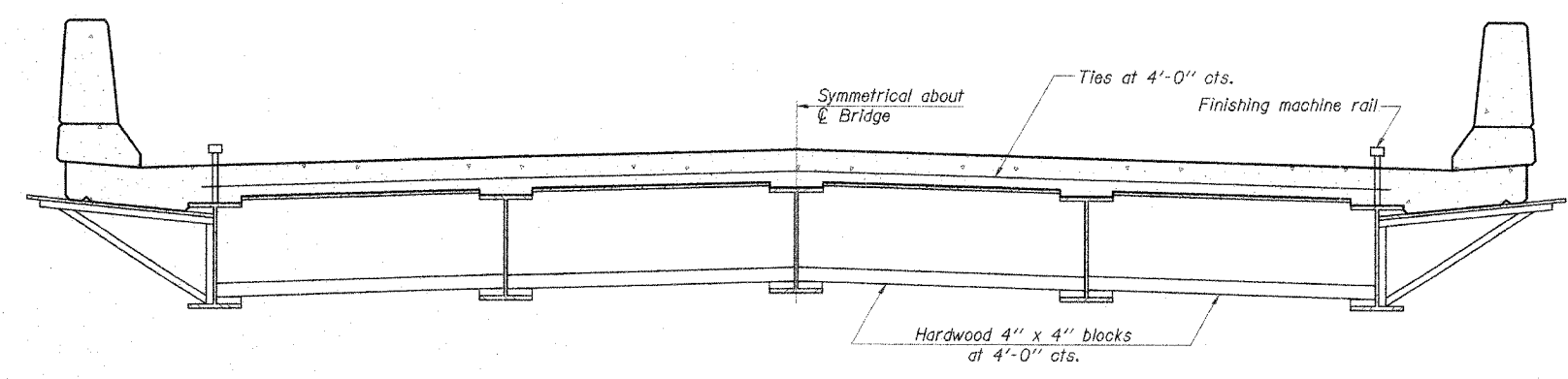
F.A.U. RTE.	SECTION #	COUNTY	TOTAL SHEETS	SHEET NO.
	05-00444-00-BR	SANGAMON	33	28
STA.	TO STA.			
FED. ROAD DIST. NO.	ILLINOIS	FED. AID PROJECT		

*CITY OF SPRINGFIELD SHEET 22 OF 24 SHEETS



**FORM BRACES FOR
STAGE CONSTRUCTION**

When cantilever forming brackets are used, the work shall be done according to Article 503.06(b) of the Standard Specifications, except as modified below and in the details shown on this sheet.
 The finishing machine rails shall be placed on the top flange of the exterior beams.
 The beams or girders, supporting cantilever forming brackets, shall be tied together at 4 foot intervals.
 For Standard construction, or Stage Construction the Hardwood bracing materials shall be placed as shown between webs of beams in each bay.

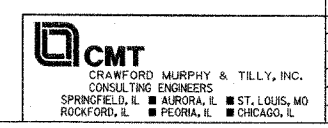


**FORM BRACES FOR
STANDARD CONSTRUCTION**

L:\AS\Project\field\0502503\Draw\Sheet\c\cant FORM BRACKETS.dgn 6/12/2007

SB-1

11-1-06



REVISIONS	
NAME	DATE

CITY OF SPRINGFIELD, ILLINOIS
CANTILEVER FORMING BRACKETS
 FAU 8006-BRUNS LANE OVER SPRING CREEK
 SECTION 05-00444-00-BR
 SANGAMON COUNTY
 STATION 115+77.50 S.N. 084-6017
 SCALE: NONE DRAWN BY: GLD
 DATE: 6/19/07 CHECKED BY: WK