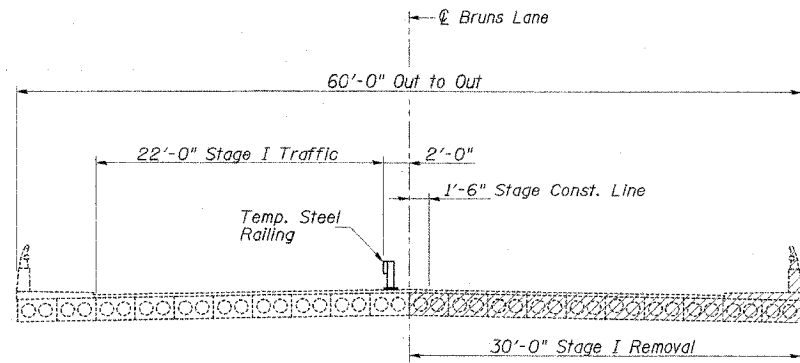
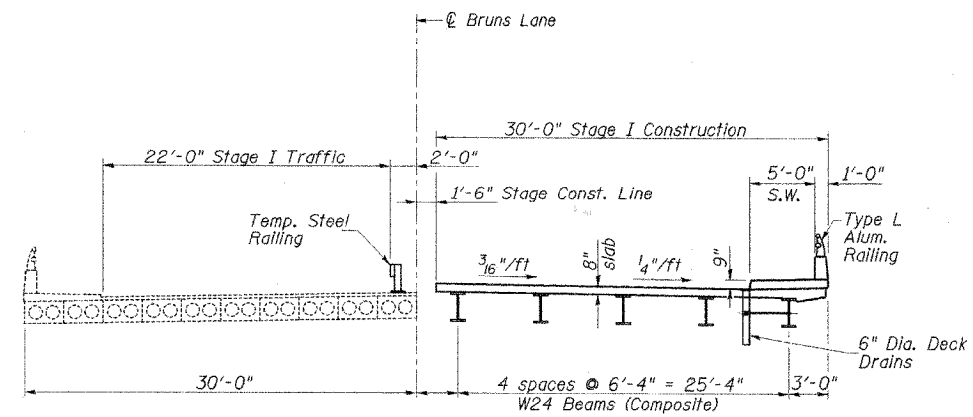


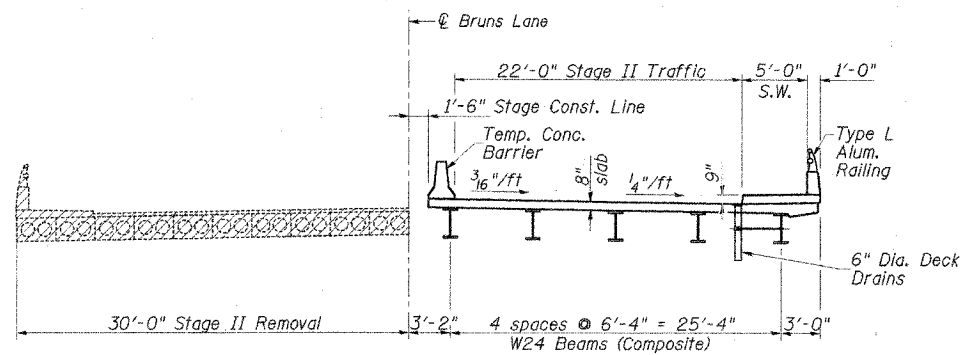
F.A.U. RTE.	SECTION #	COUNTY	TOTAL SHEETS	SHEET NO.
05-00444-00-BR		SANGAMON	33	9
STA.	TO STA.			
FED. ROAD DIST. NO. ILLINOIS FED. AID PROJECT				
*CITY OF SPRINGFIELD SHEET 3 OF 24 SHEETS				



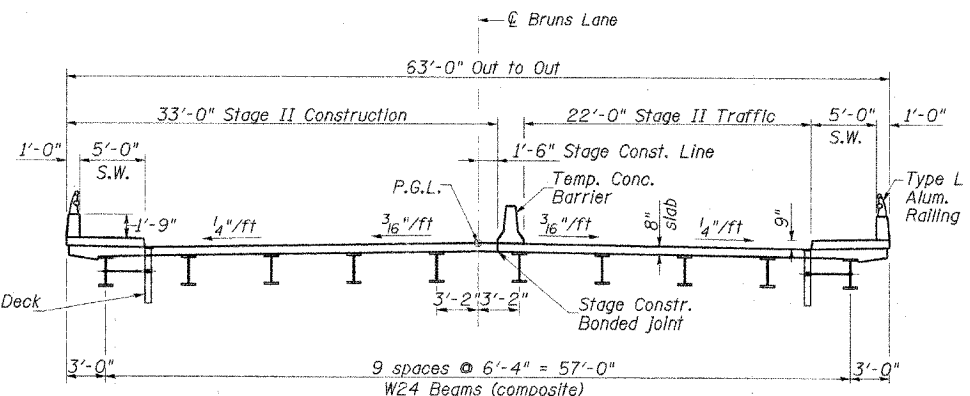
CROSS SECTION - STAGE I REMOVAL
(Looking South)



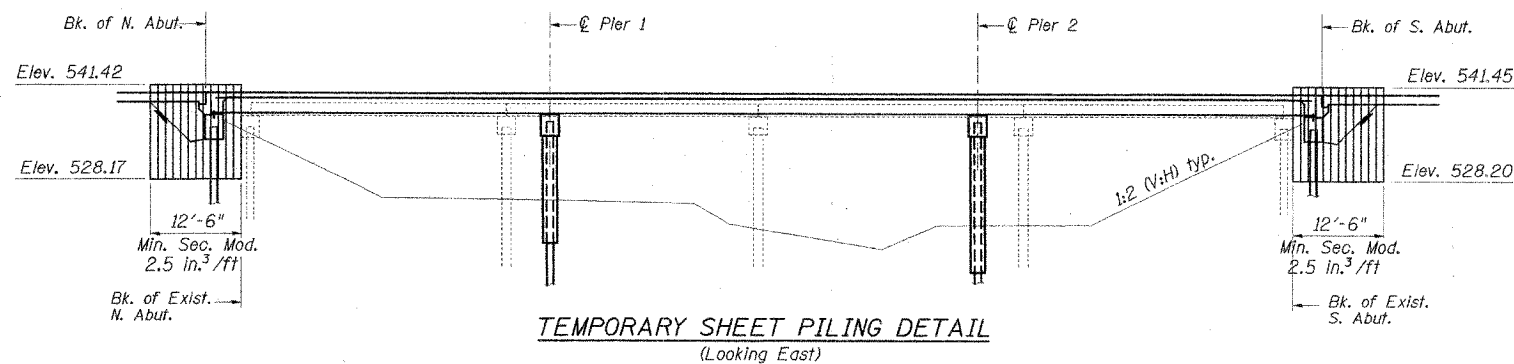
CROSS SECTION - STAGE I CONSTRUCTION
(Looking South)



CROSS SECTION - STAGE II REMOVAL
(Looking South)



CROSS SECTION - STAGE II CONSTRUCTION
(Looking South)



TEMPORARY SHEET PILING DETAIL
(Looking East)

NOTES:

1. See Sheet 4 of 24 for Temporary Steel Railing.
2. See Sheet 5 of 24 for Temporary Concrete Barrier.

REVISIONS	
NAME	DATE



CITY OF SPRINGFIELD, ILLINOIS
STAGE CONSTRUCTION DETAILS
 FAU 8006-BRUNS LANE OVER SPRING CREEK
 SECTION 05-00444-00-BR
 SANGAMON COUNTY
 STATION 115+77.50 S.N. 084-6017
 SCALE: NONE DRAWN BY: GLD
 DATE: 6/19/07 CHECKED BY: WK

L:\S\p\the\faud\0502503\Draw\Sheet\STAGE_CONSTRUCTION.dgn 6/12/2007