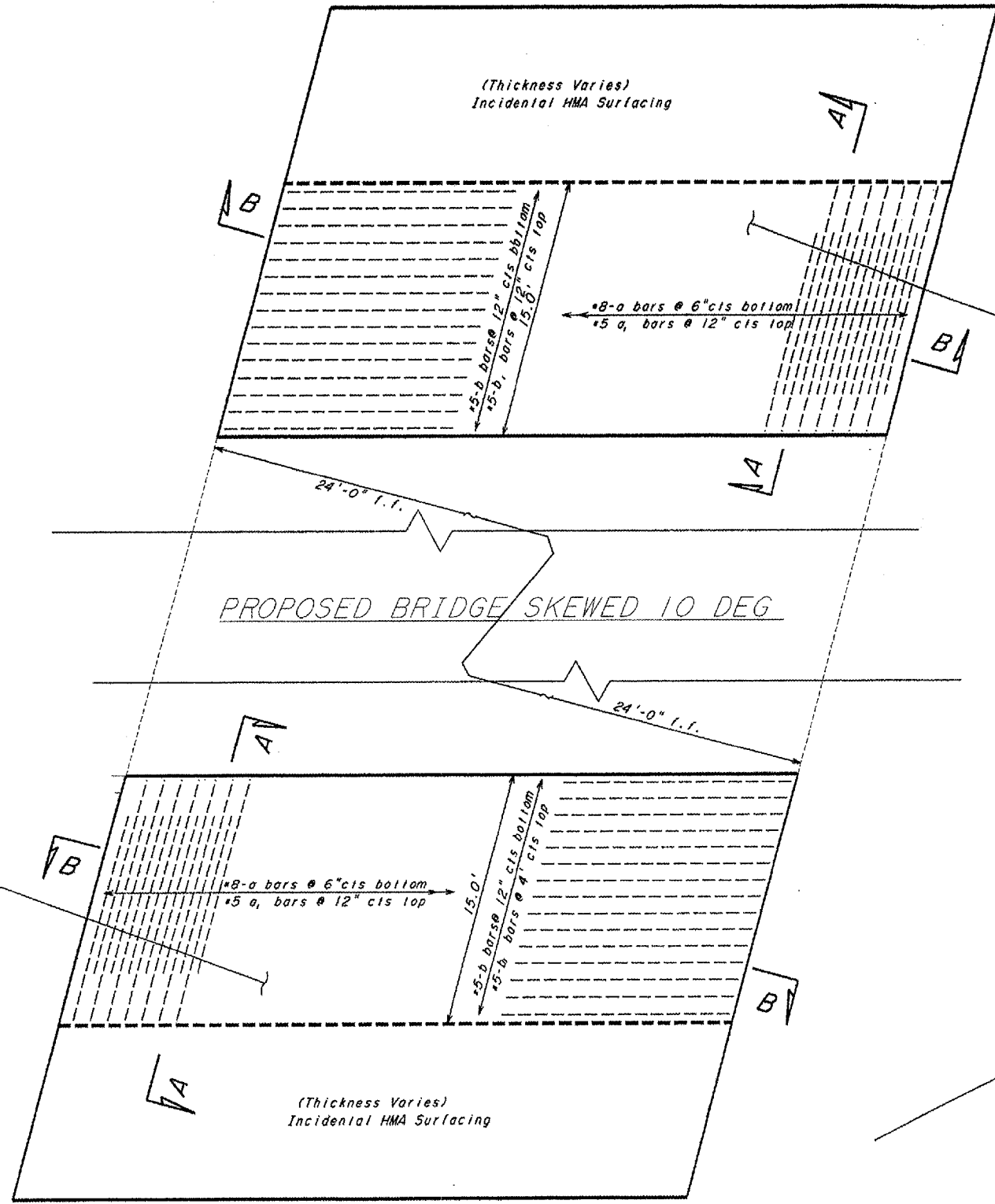


ROUTE NUMBER	SECTION	COUNTY	TOTAL SHEETS	SHEET NO.
CH 16	08-00647-00-BR	LASALLE	13	13
FED. ROAD DIST. NO. 7		ILLINOIS	PROJECT BROS-099 (35)	
CONTRACT NO. 87350				

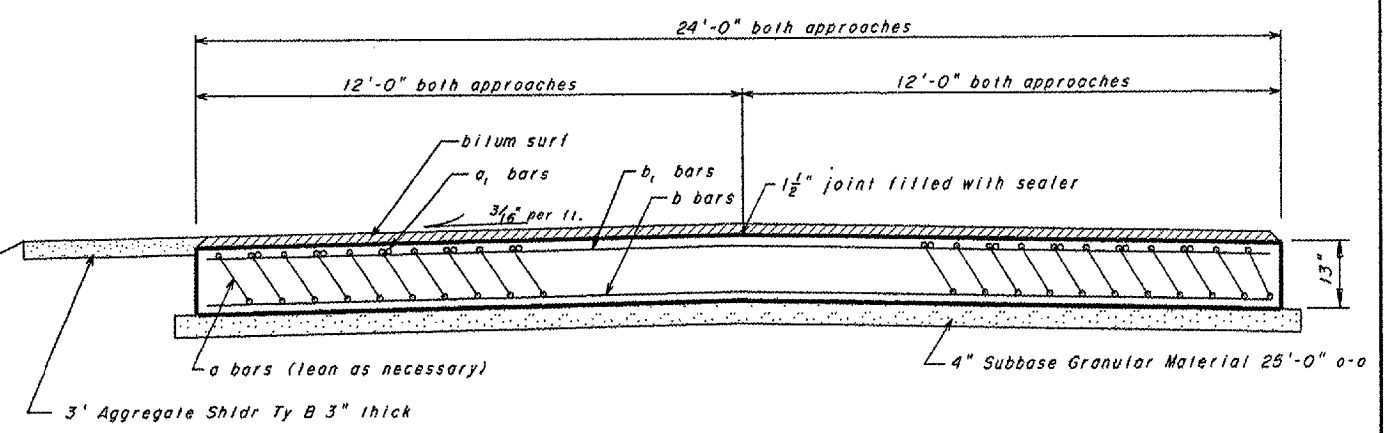
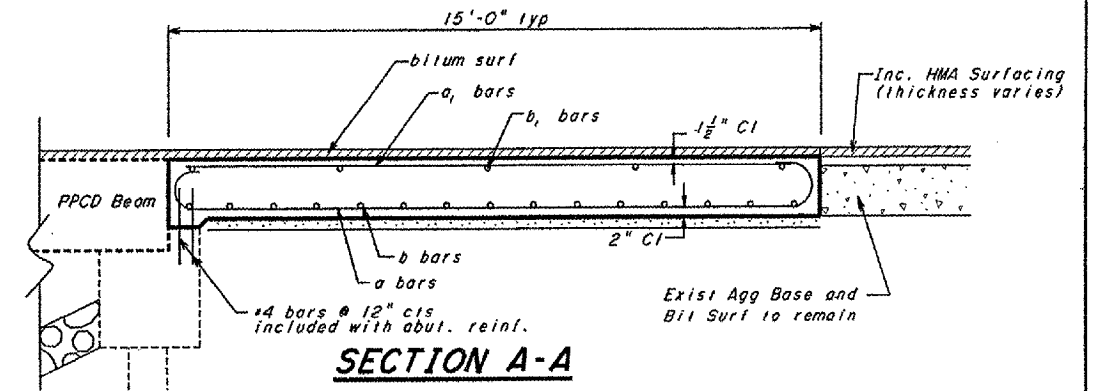
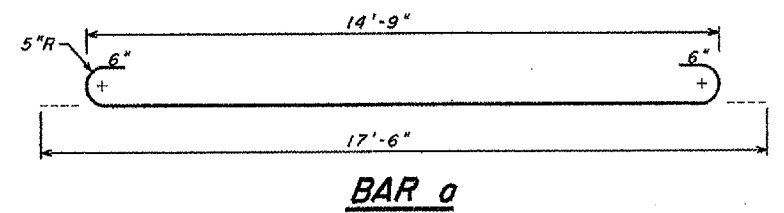
**PLAN EAST APPROACH PAVEMENT**



**PLAN WEST APPROACH PAVEMENT**

**BAR LIST**

Bar	No. West	No. East	Size	Length	Shape
a (E)	48	48	8	17'-6"	U
a (E)	24	24	5	14'-9"	—
b (E)	16	16	5	24'-0"	—
b, (E)	5	5	5	24'-0"	—



**APPROACH SLAB DETAILS**

DRAWN DRW