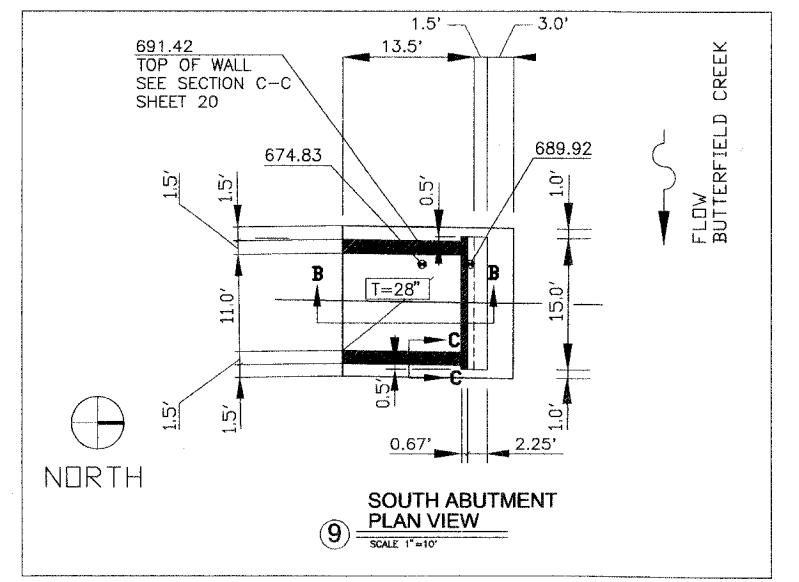
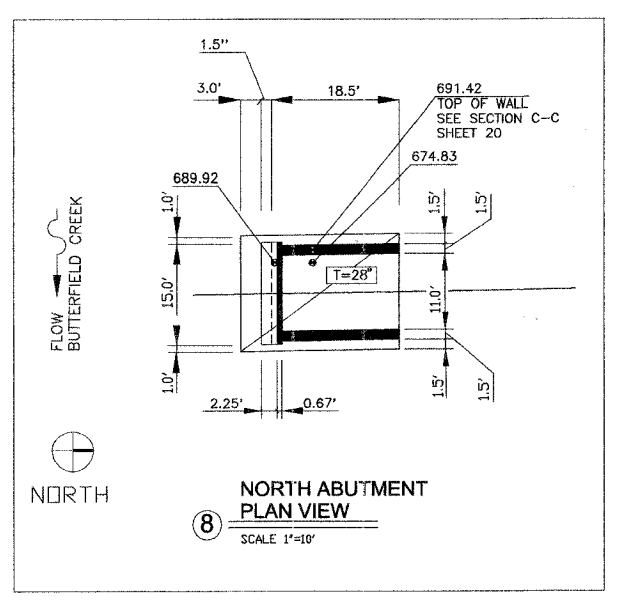
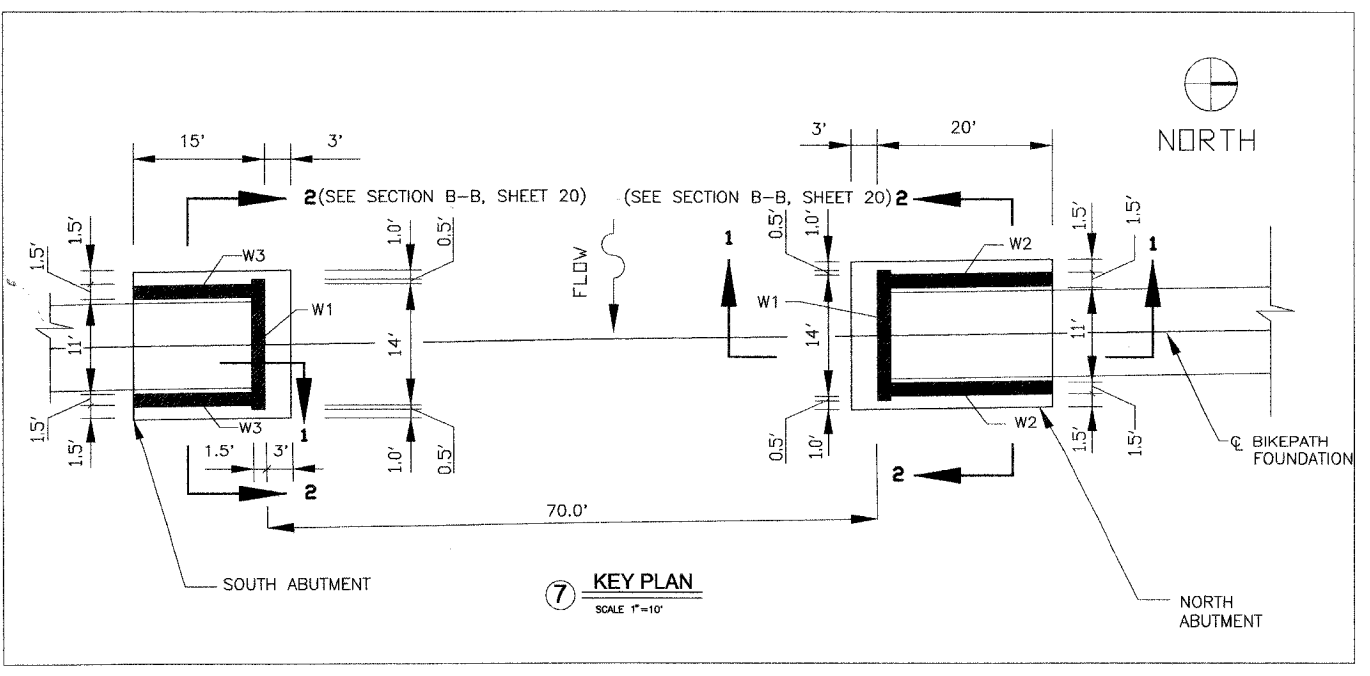
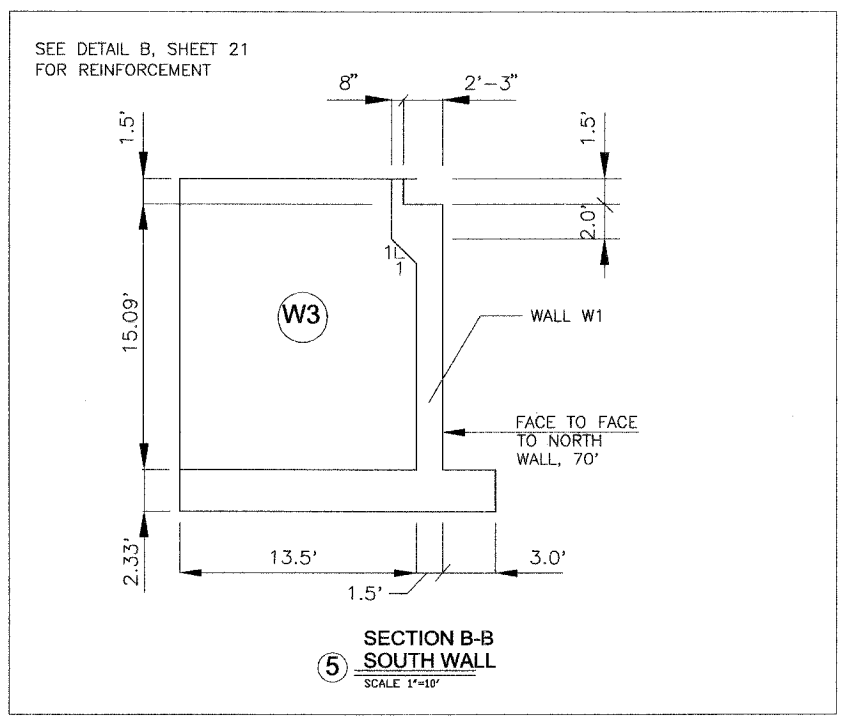
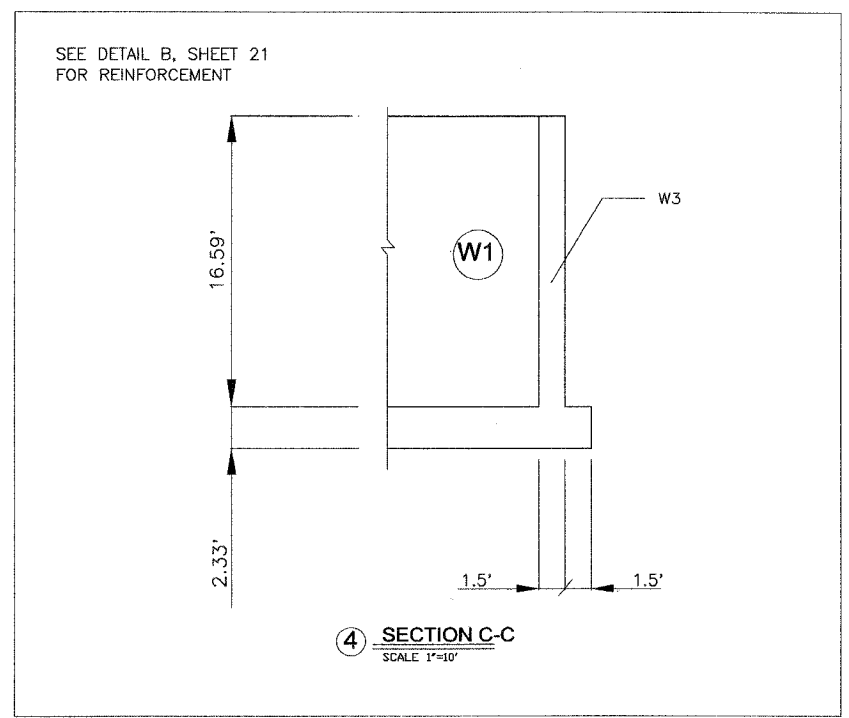
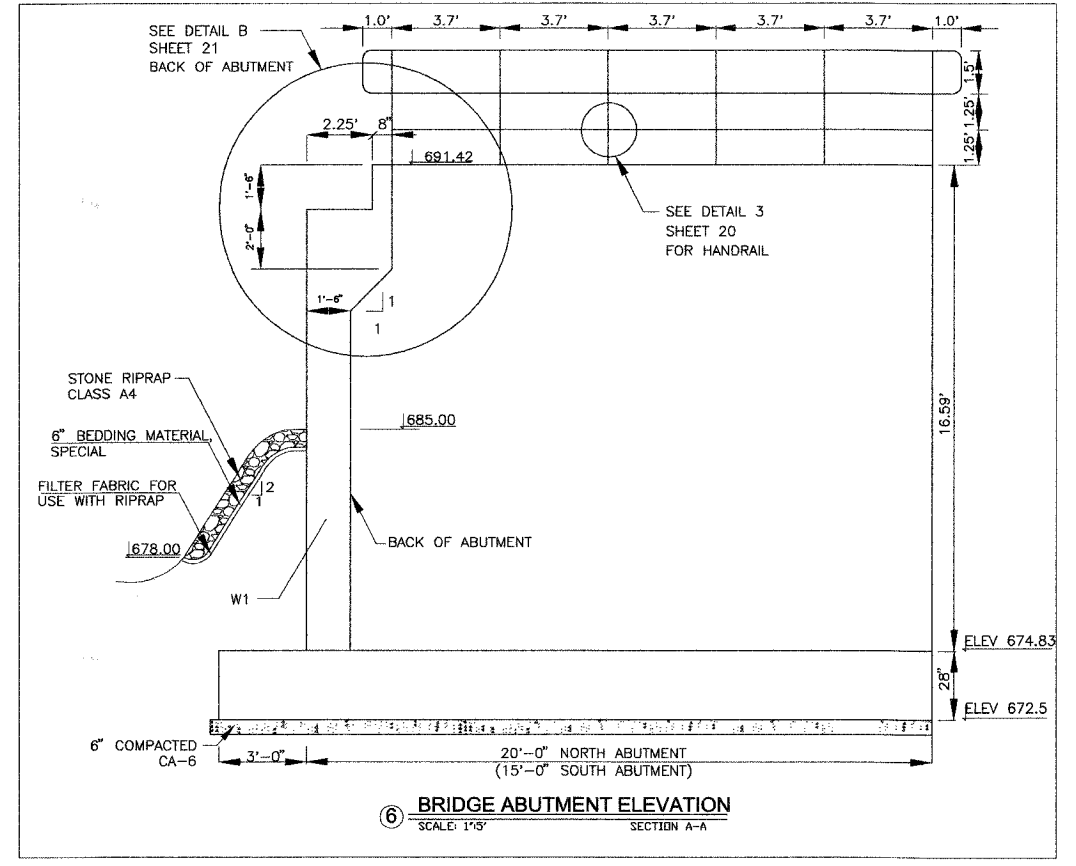
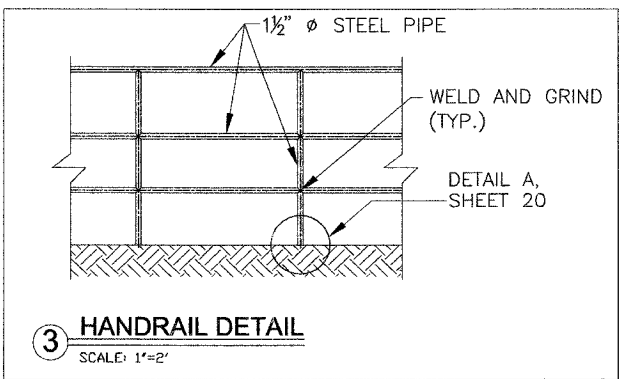
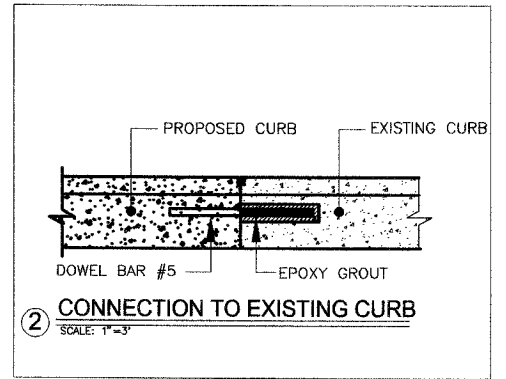
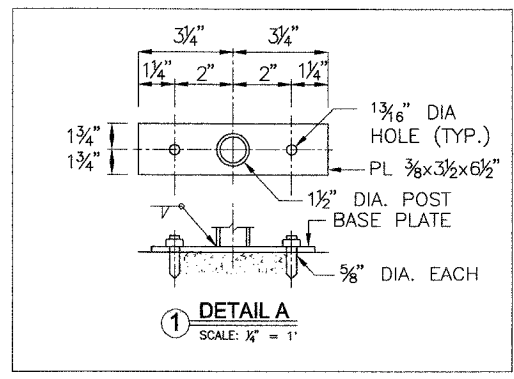


SECTION	COUNTY	TOTAL SHEETS	SHEET NO.
00-00048-00-BT	COOK	39	21
STA. 9+95 TO STA. 31+58			
FED. ROAD DIST. NO. 1 ILLINOIS		FED. AID PROJECT	
CONTRACT NO. 83864			



TERRA ENGINEERING LTD.  
505 N. LASALLE SUITE 250  
CHICAGO, IL 60610  
(312)467-0123



REVISIONS	
NAME	DATE

ILLINOIS DEPARTMENT OF TRANSPORTATION  
PRESERVATION BIKE PATH  
BRIDGE DETAILS (2)  
SCALE: HORIZ.: AS SHOWN  
DATE: MAY 04, 2007  
DRAWN BY: CC  
CHECKED BY: SC