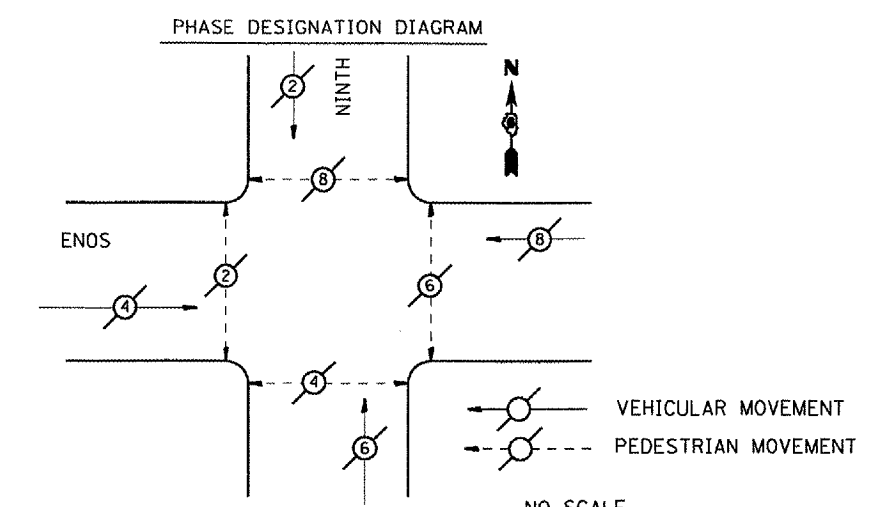
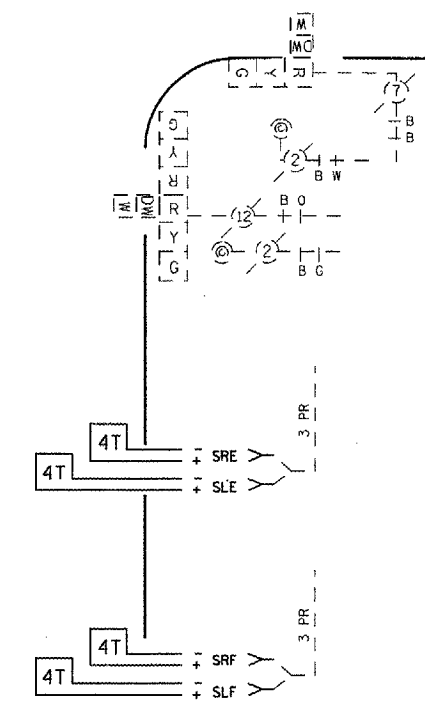
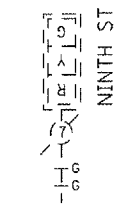
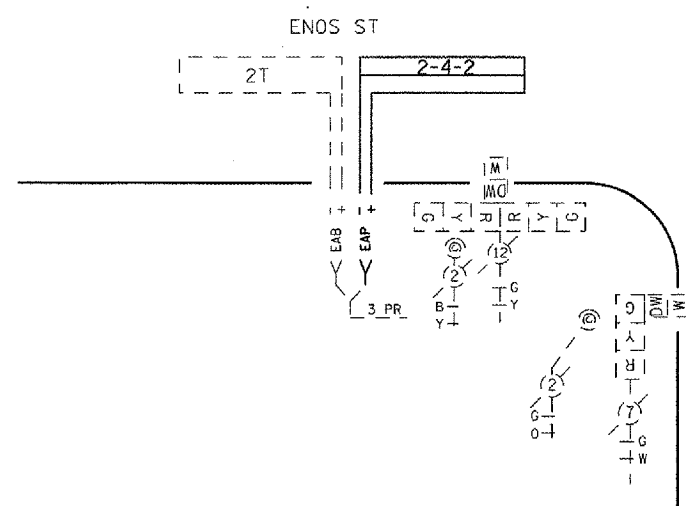
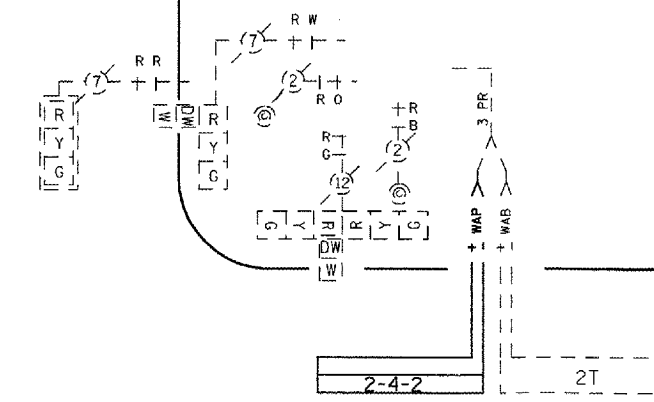
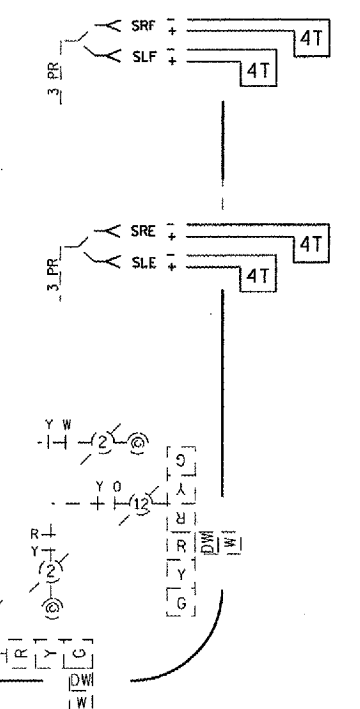
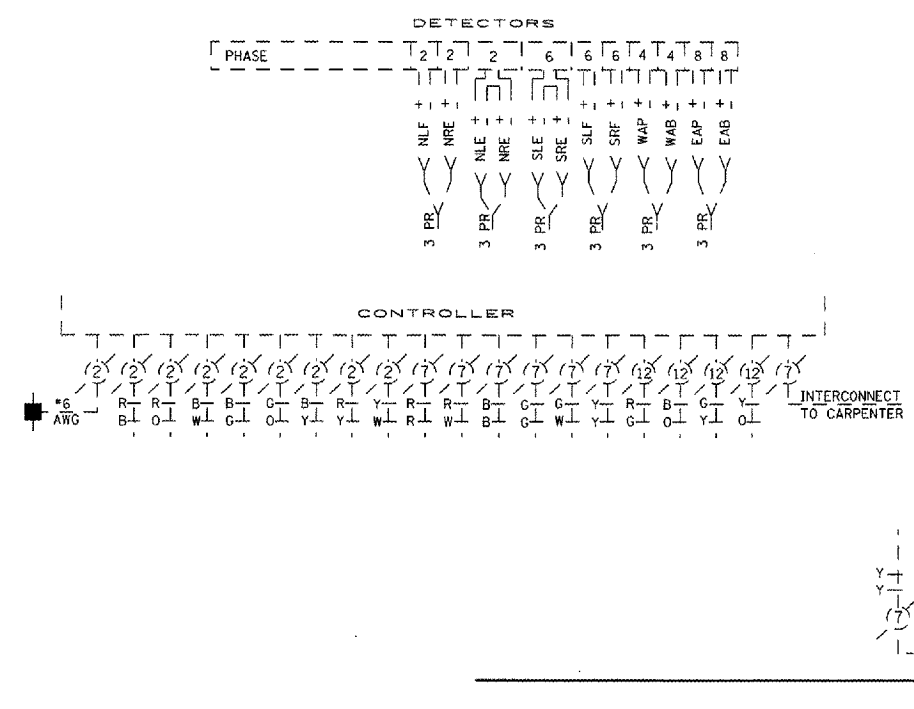


F.A.P. NO.	SECTION	COUNTY	TOTAL SHEETS	SHEET NO.
666	SP-7, RS-4	SANGAMON	80	63
STA.	TO STA.			
FED. ROAD DIST. NO.	ILLINOIS	FED. AID PROJECT		



NO SCALE

REVISIONS	
NAME	DATE

ILLINOIS DEPARTMENT OF TRANSPORTATION
TRAFFIC SIGNAL PLAN
 FAP ROUTE 666 (I-55 BUS/9TH STREET)
 NINTH STREET AT ENOS STREET

SCALE: VERT. _____
 HORIZ. _____
 DATE _____

DRAWN BY _____
 CHECKED BY _____

PLOT DATE = *DATE*
 FILE NAME = *FILE*
 PLOT SCALE = *SCALE*
 USER NAME = *USER*