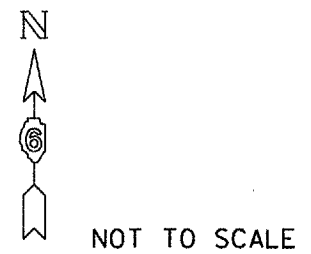
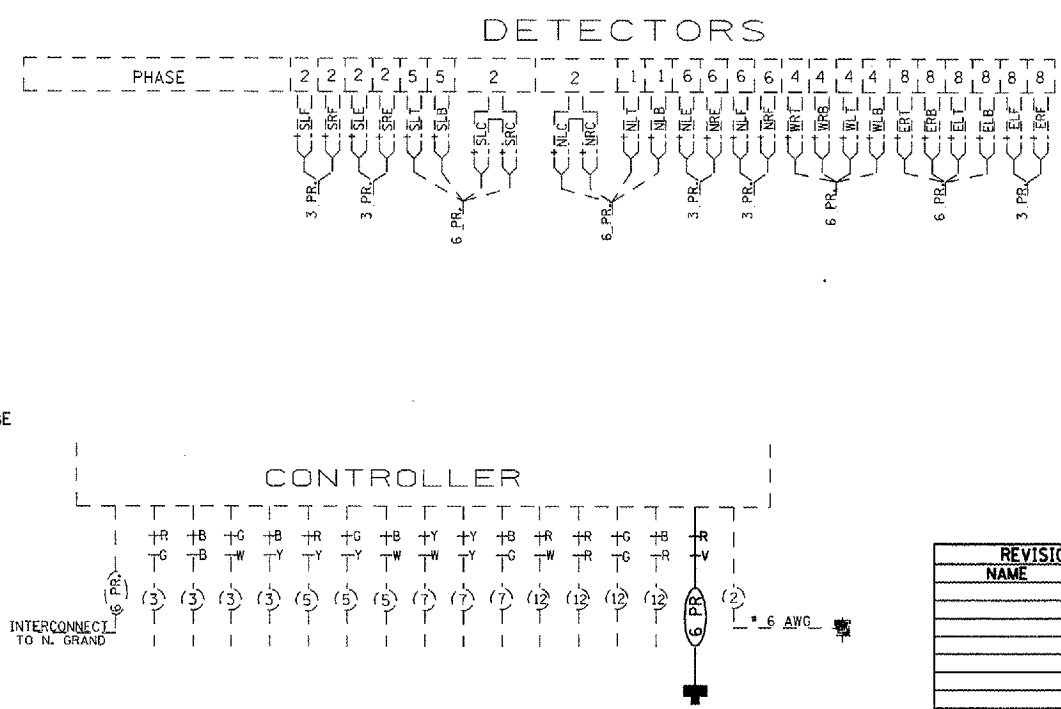
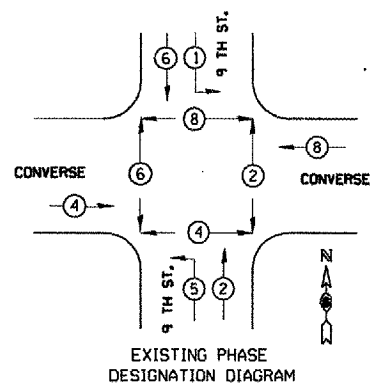
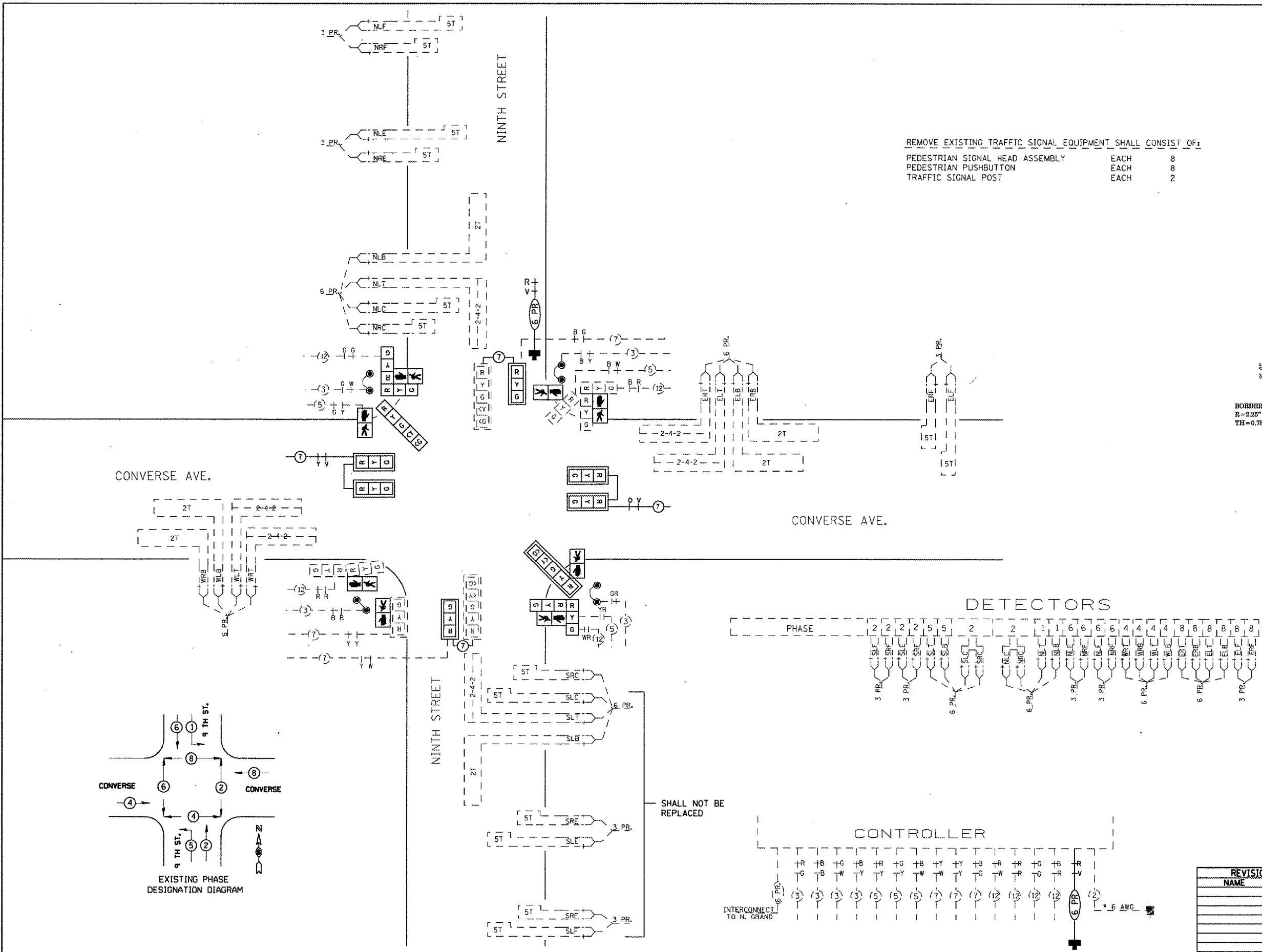


F.A.P. RTE.	SECTION	COUNTY	TOTAL SHEETS	SHEET NO.
666	SP-7, RS-4	SANGAMON	80	61
STA.		TO STA.		
FED. ROAD DIST. NO.	ILLINOIS	FED. AID PROJECT		

REMOVE EXISTING TRAFFIC SIGNAL EQUIPMENT SHALL CONSIST OF:

PEDESTRIAN SIGNAL HEAD ASSEMBLY	EACH	8
PEDESTRIAN PUSHBUTTON	EACH	8
TRAFFIC SIGNAL POST	EACH	2



REVISIONS	
NAME	DATE

ILLINOIS DEPARTMENT OF TRANSPORTATION
TRAFFIC SIGNAL PLAN
 FAP ROUTE 666 (I-55 BUS/9TH STREET)
 NINTH STREET AT CONVERSE STREET

SCALE: VERT. _____
 HORIZ. _____
 DATE _____ DRAWN BY _____
 CHECKED BY _____

PLOT DATE = DATE
 FILE NAME = FILE#
 PLOT SCALE = SCALE
 USER NAME = USER#