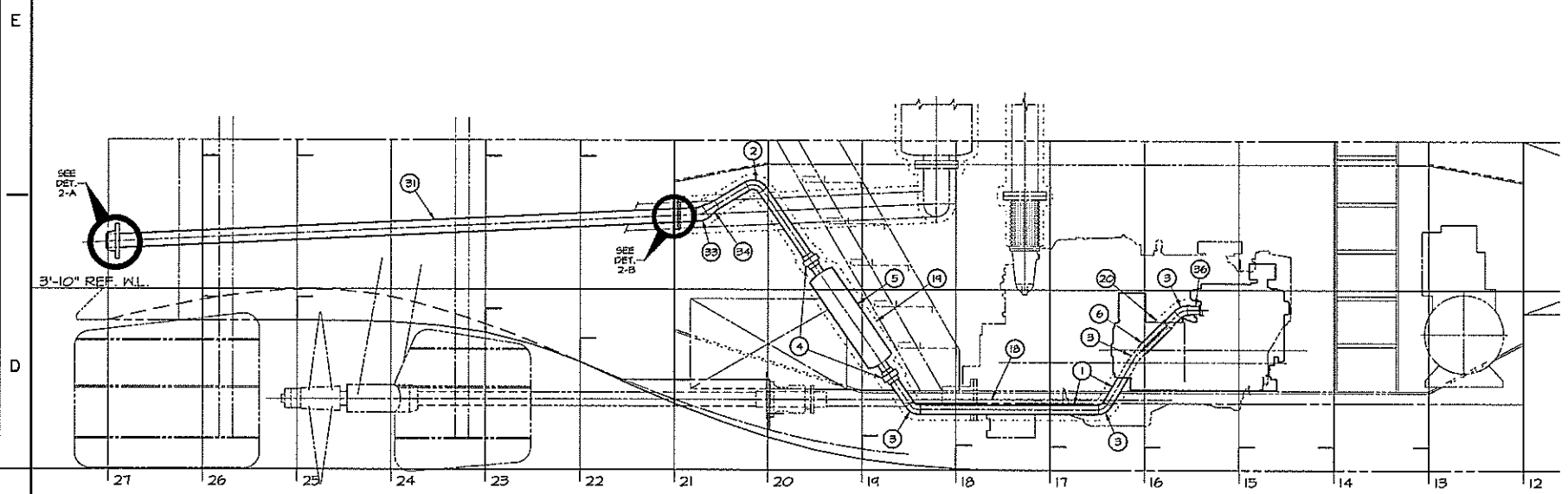
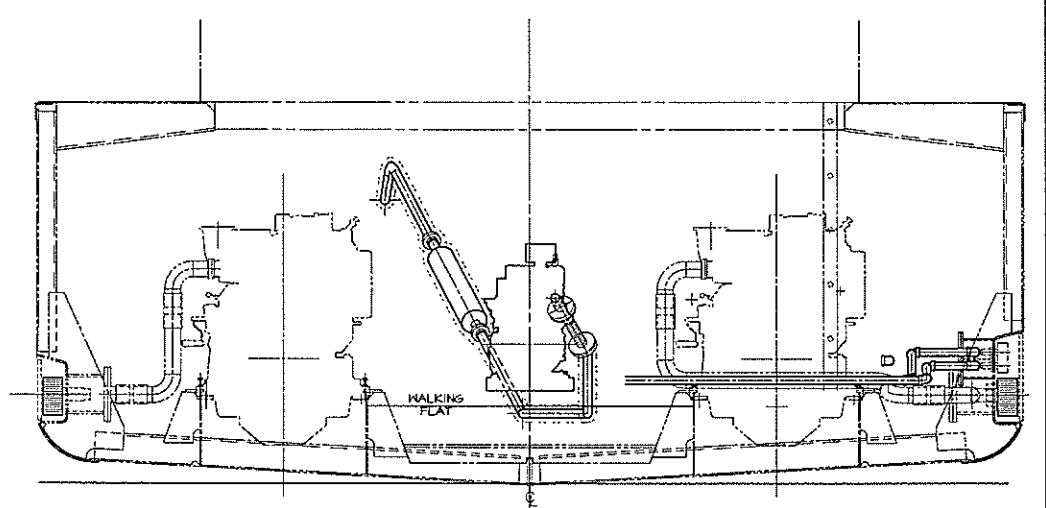


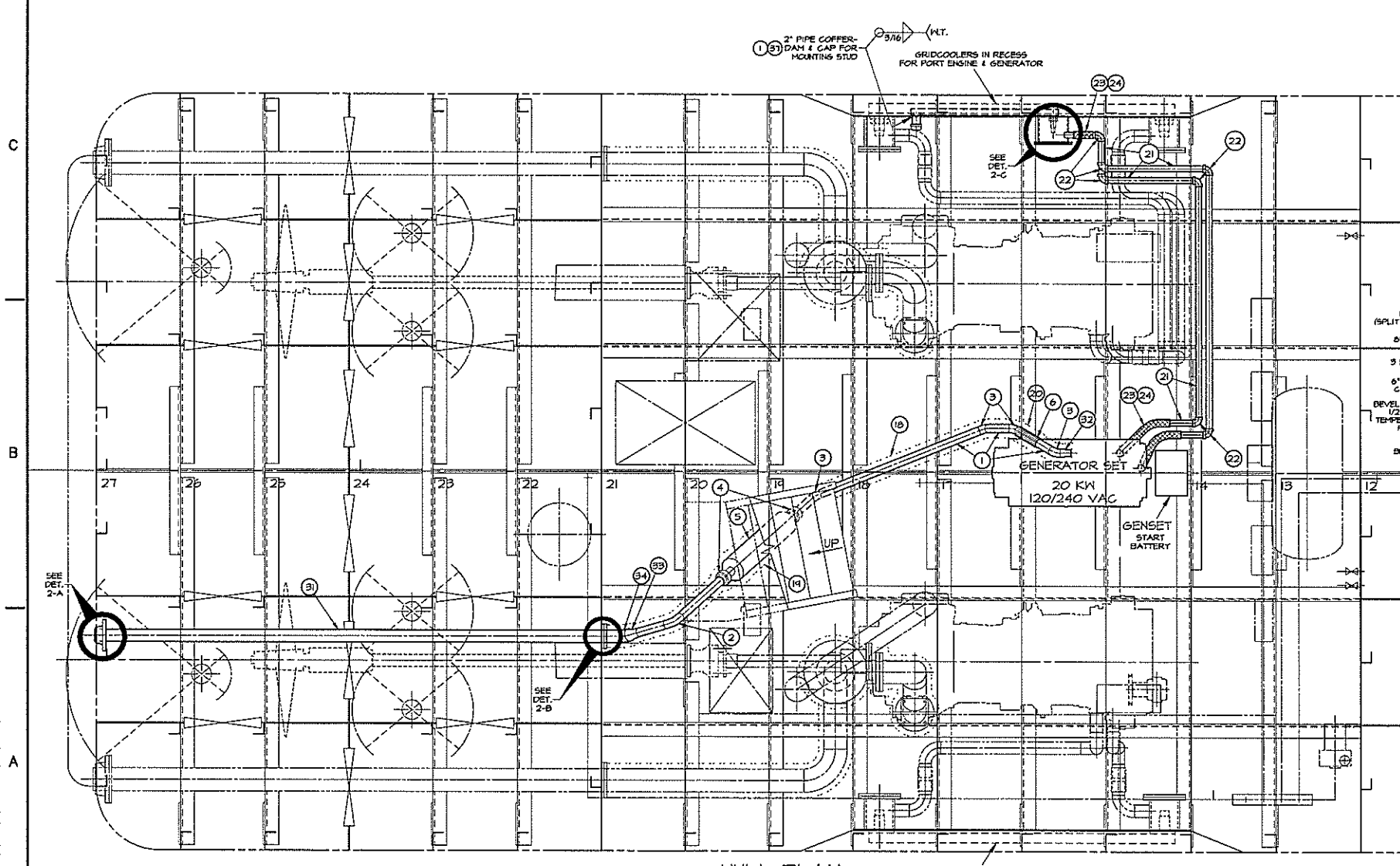
REVISIONS			
REV	DESCRIPTION	DATE	APPROVED
A	REVISES BULGE FROM CHINE TO ROUND	7/13/00	
B	LOWER ENG. RM. WALKING FLAT 5' BELOW FLANGES	8/17/00	
C	SECT. AT FR. 11, 90° EXHAUST PIPE BELOW WALKING FLAT	8/22/00	



PORT ELEVATION

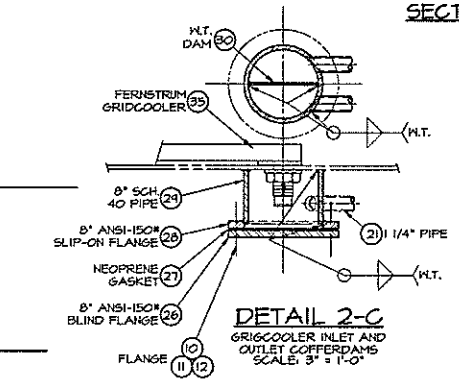


SECTION AT FRAME 17
LOOKING AFT

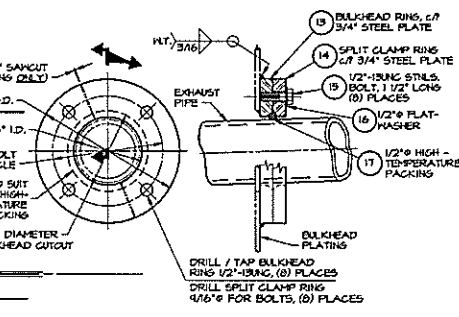


HULL PLAN

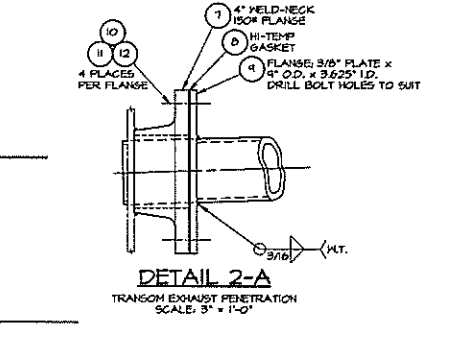
FOR PORT ENGINE & GENERATOR
GRIDCOOLERS IN RECESS



DETAIL 2-C
GRIDCOOLER INLET AND
OUTLET COFFERDAMS
SCALE: 3\"/>



DETAIL 2-B
BULKHEAD EXHAUST PENETRATION
SCALE: 3\"/>



DETAIL 2-A
TRANSOM EXHAUST PENETRATION
SCALE: 3\"/>

NO.	QTY.	DESCRIPTION	MATERIAL/SPECIFICATION/REMARKS
40	4	END BRACKETS, 1/4\"/>	
39	15 LF	GENERATOR FOUNDATION, 13\"/>	
38	1	EXPANSION TANK FOR GENSET	STEEL
37	2	PIPE CAP, 2\"/>	
36	2	REDUCER, 2\"/>	
35	1	GRIDCOOLER - FERROSTRIM	COPPER-NICKEL - FERROSTRIM MODEL # B0420
34	1	ELBOW, 3\"/>	
33	1	REDUCER, 3\"/>	
32	1	REDUCER, 2\"/>	
31	15 LF	PIPE, 3\"/>	
30	2	DIAM. 1/4\"/>	
24	2	PIPE, 8\"/>	
23	2	SLIP-ON FLANGE, 8\"/>	
27	2	GASKET, 13 1/2\"/>	
26	2	BLIND FLANGE, 8\"/>	
25	-	ELBOW, 1 1/4\"/>	
24	16	HOSE CLAMPS, SAE TYPE T\", SIZE NO. 32	STAINLESS TYPE 304
23	4	1/60\"/>	
22	8	ELBOW, 1 1/4\"/>	
21	25 LF	PIPE, 1 1/4\"/>	
20	1	FLEX INSULATION, 2\"/>	
19	1	SILENCER INSULATION, MAX. HULL, 2\"/>	
18	15 LF	PIPE INSULATION, 2\"/>	
17	1	2\"/>	
16	4	FLATWASHER, 1/2\"/>	
15	4	BOLT, 1/2\"/>	
14	1	SPLIT CLAMP RING, 8\"/>	
13	1	BULKHEAD RING, 8\"/>	
12	16	HEX-NUT, 5/8\"/>	
11	16	FLATWASHER, 5/8\"/>	
10	16	BOLT, 5/8\"/>	
9	1	HI-TEMPERATURE GASKET, 4\"/>	
8	1	REDUCING SLIP-ON FLANGE, 4\"/>	
7	1	WELD-NECK FLANGE, 4\"/>	
6	1	FLEX SECTION, 2\", BUTT-WELD ENDS, 12\"/>	
5	1	SILENCER, 2\"/>	
4	2	IRON, 2\"/>	
3	3	ELBOW, 2\"/>	
2	1	ELBOW, 2\"/>	
1	15 LF	PIPE, 2\"/>	

BILL OF MATERIALS

OWN.	R.K. Thompson	TGMD, Inc. / Timothy Graul marine design naval architects Sturgeon Bay, WI 54235	Project No.	19005
APPD.			Scale:	3/4\"/>
DATE	30 JULY 1999		PROJECT	55'-0\"/>
			IDOT JOB	D-48-078-99
			ILLINOIS DEPARTMENT	REV. C Date: 8/22/00
			OF TRANSPORTATION	Drawing No.
			TITLE	GENSET INSTALLATION
				311-101

Proj. 99005 Dwg. 311-101 Rev. C Title GENSET INSTALLATION