

09-20-13 LETTING ITEM 083

STATE OF ILLINOIS

DEPARTMENT OF TRANSPORTATION

DIVISION OF HIGHWAYS

PROPOSED PLANS
FOR FEDERAL AID HIGHWAY

FAP 361 IL RTE 25 (STEARNS ROAD)
SOUTH OF STEARNS RD TO DUNHAM RD
ROADWAY WIDENING, RECONSTRUCTION

& BRIDGE REPLACEMENT
SECTION 06-00214-18-RP
PROJECT HPP-1527(037)
KANE COUNTY

C-91-230-12

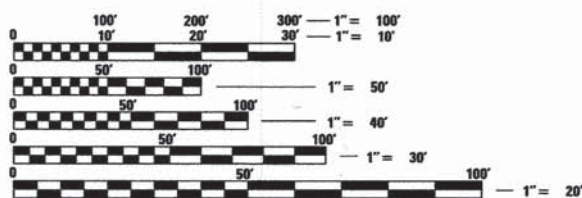
F.A.P. RTE.	SECTION	COUNTY	TOTAL SHEETS	SHEET NO.
361	06-00214-18-RP	KANE	451	1
		ILLINOIS	CONTRACT NO. 63598	

FOR INDEX OF SHEETS, SEE SHEET NO. 2
FOR LIST OF STATE STANDARDS, SEE SHEET NO. 2

DESIGN DESIGNATION AND TRAFFIC DATA

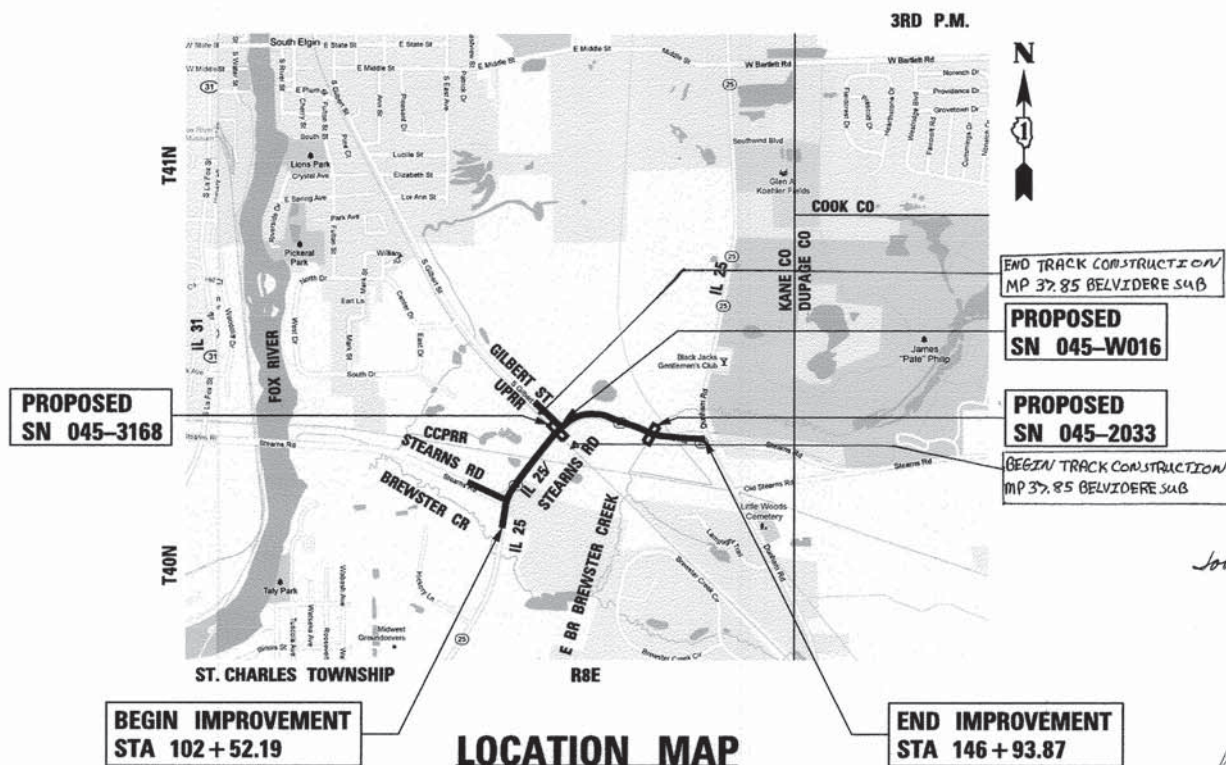
2020 ADT	VEHICLES	
IL 25	=	16,000
STEARNS RD	=	32,000
DUNHAM RD	=	35,000
GILBERT ST	=	9,000
DESIGN SPEED	=	SEE SHEET 2
POSTED SPEED	=	SEE SHEET 2
FUNCTIONAL CLASSIFICATION: OTHER PRINCIPAL ARTERIAL		

THIS PROJECT IS LOCATED IN
ST. CHARLES TOWNSHIP IN
UNINCORPORATED KANE COUNTY



FULL SIZE PLANS HAVE BEEN PREPARED USING STANDARD ENGINEERING SCALES. REDUCED SIZED PLANS WILL NOT CONFORM TO STANDARD SCALES. IN MAKING MEASUREMENTS ON REDUCED PLANS, THE ABOVE SCALES MAY BE USED.

J.U.L.I.E.
JOINT UTILITY LOCATION INFORMATION FOR EXCAVATION
1-800-892-0123
OR 811



SCALE: NTS
GROSS LENGTH = 4,441.68 FT. = 0.841 MILE
NET LENGTH = 4,441.68 FT. = 0.841 MILE



LOCATION OF SECTION INDICATED THIS: - [Black Box] -

STATE OF ILLINOIS
DEPARTMENT OF TRANSPORTATION
DIVISION OF HIGHWAYS

APPROVED DECEMBER 12 20 12
[Signature]
KANE COUNTY ENGINEER

PASSED JANUARY 14 20 13
[Signature]
DISTRICT 1 ENGINEER OF LOCAL ROADS AND STREETS

RELEASING FOR BID
BASED ON LIMITED
REVIEW JANUARY 14 20 13
[Signature]
DEPUTY DIRECTOR OF HIGHWAYS, REGION 1 ENGINEER



PROGRAM AND OFFICE ENGINEER: CHARLES F. RIDDLE, PE; (847)705-4406, SCHAUMBURG, IL

CONTRACT NO. 63598

PRINTED BY THE AUTHORITY
OF THE STATE OF ILLINOIS

INDEX OF SHEETS

VOLUME I

1 COVER SHEET
 2 INDEX OF SHEETS, IDOT STANDARDS & HMA REQUIREMENTS
 3-4 GENERAL NOTES & COMMITMENTS
 5-25 SUMMARY OF QUANTITIES
 26-29 EXISTING TYPICAL SECTIONS
 30-34 PROPOSED TYPICAL SECTIONS
 35-42 SCHEDULE OF QUANTITIES
 43-48 ALIGNMENT, TIES AND BENCHMARKS
 49-53 ROADWAY REMOVAL PLANS
 54-57 PLAN AND PROFILE IL 25/STEARNS RD
 58-59 PLAN AND PROFILE UPRR SHOO-FLY
 60-61 PLAN AND PROFILE UPRR
 62 PLAN AND PROFILE GILBERT ST
 63-123 MAINTENANCE OF TRAFFIC
 124-128 TEMPORARY DRAINAGE AND EROSION CONTROL GENERAL NOTES
 129-144 TEMPORARY DRAINAGE AND EROSION CONTROL PLANS
 145-149 DRAINAGE SCHEDULE
 150-154 DRAINAGE AND UTILITY PLAN AND PROFILE
 155-164 SUE PLANS
 165-190 PLAT OF HIGHWAYS
 191-193 INTERSECTION DETAILS IL 25/STEARNS RD
 194 DETAIL IL 25/STEARNS RD/CCP GRADE CROSSING
 195-196 INTERSECTION DETAILS IL 25/STEARNS RD/GILBERT ST
 197-198 DRIVEWAY DETAILS
 199 INTERSECTION DETAIL IL 25/STEARNS RD/DUNHAM RD
 200-201 GUARDRAIL DETAILS
 202-206 PAVEMENT MARKING AND SIGNING PLANS
 207-211 LANDSCAPING PLANS
 212-250 TRAFFIC SIGNAL PLANS
 251-255 INTERCONNECT PLANS
 256-260 D1 SIGNAL STANDARDS
 261- SN 045-3168 UPRR OVER IL 25/STEARNS RD
 -312 TEMPORARY UPRR SHOO-FLY OVER IL 25/STEARNS RD
 313-315 SN 045-W016 RETAINING WALL PLANS
 316-334 SN 045-2033 IL 25/STEARNS RD OVER E. BRANCH BREWSTER CREEK
 335-336 SOIL BORING PLANS
 337-357 IDOT DISTRICT 1 DETAILS
 358-400 CROSS SECTIONS - IL 25/STEARNS RD
 401-402 CROSS SECTIONS - STEARNS RD
 403-422 CROSS SECTIONS - UPRR - STAGED
 423-444 CROSS SECTIONS - UPRR
 445-451 CROSS SECTIONS - GILBERT ST

ROAD	POSTED SPEED	DESIGN SPEED
IL RTE 25 (SOUTH OF STEARNS ROAD)	45	45
IL RTE 25 (SOUTH OF DUNHAM ROAD)	40	45
IL RTE 25 (NORTH OF STEARNS ROAD)	45	45
STEARNS ROAD (WEST OF IL RTE 25)	45	45
STEARNS ROAD (EAST IF DUNHAM ROAD)	45	45
DUNHAM ROAD	45	45
GILBERT STREET	35	45

IDOT DISTRICT 1 STANDARDS

BD-01 DRIVEWAY DETAILS-DISTANCE BETWEEN R.O.W. AND CURB OR EDGE GREATER THAN OR EQUAL TO 15' (4.5 m)
 BD-02 DRIVEWAY DETAILS-DISTANCE BETWEEN R.O.W. AND FACE OR CURB IS LESS THAN 15' (4.5 m)
 BD-07 DETAIL OF STORM SEWER CONNECTION TO EXISTING SEWER
 BD-22 PAVEMENT PATCHING FOR HMA SURFACED PAVEMENT
 BD-32 BUTT JOINT AND HMA TAPER DETAILS
 BD-34 DETAILS FOR DEPRESSED CURB & GUTTER AND SHOULDER TREATMENT AT TBT TY 1 SPL
 BD-51 BENCHING DETAIL FOR EMBANKMENT WIDENING
 BD-52 DETAIL OF PAVEMENT SEPARATION JOINT FOR JOINTED PCC PAVEMENTS AT INTERSECTIONS
 BM-21 REMOVE AND REERECT GUARDRAIL
 (4 SHEETS)
 TC-10 TRAFFIC CONTROL AND PROTECTION FOR SIDE ROADS, INTERSECTIONS AND DRIVEWAYS
 TC-11 TYPICAL APPLICATIONS RAISED REFLECTIVE PAVEMENT MARKERS (SNOW-PLow RESISTANT)
 TC-13 DISTRICT ONE TYPICAL PAVEMENT MARKINGS
 TC-14 TRAFFIC CONTROL AND PROTECTION AT TURN BAYS (TO REMAIN OPEN TO TRAFFIC)
 TC-16 PAVEMENT MARKING LETTERS AND SYMBOLS FOR TRAFFIC STAGING
 TC-21 DETOUR SIGNING FOR CLOSING STATE HIGHWAYS
 TC-22 ARTERIAL ROAD INFORMATION SIGN
 TC-23 TYPICAL SUPPLEMENTAL SIGNING AND PAVEMENT MARKING TREATMENT FOR RAILROAD CROSSINGS
 TC-26 DRIVEWAY ENTRANCE SIGNING
 TS-05 STANDARD TRAFFIC SIGNAL DESIGN DETAILS
 (6 SHEETS)

HOT-MIX ASPHALT REQUIREMENTS

MIXTURE TYPE	THICKNESS	VOIDS @ N _{DES}
PAVEMENT - IL 25 STA 102+52.19 TO STA 106+90.80 (PAID FOR AS HMA PAVEMENT (FULL DEPTH) 12 1/2") POLYMERIZED HOT-MIX ASPHALT SURFACE COURSE, MIX "F", N90, (IL-9.5mm)	2"	4% @ 90 Gyr
POLYMERIZED HOT-MIX ASPHALT BINDER COURSE, IL-19.0mm, N90 HOT-MIX ASPHALT BINDER COURSE, IL-19.0mm, N90 (3 LIFTS)	2 1/4" 8 1/4"	4% @ 90 Gyr 4% @ 90 Gyr
PAVEMENT - GILBERT ST (PAID FOR AS HMA PAVEMENT (FULL DEPTH) 11") HOT-MIX ASPHALT SURFACE COURSE, MIX "D", N50, (IL-9.5mm) HOT-MIX ASPHALT BINDER COURSE, IL-19.0mm, N50 (4 LIFTS)	2" 9"	4% @ 50 Gyr 4% @ 50 Gyr
SHOULDERS (PAID FOR AS HOT-MIX ASPHALT SHOULDERS, 6") HMA SHOULDER (HMA BINDER IL-19mm) (2 LIFTS)	6"	4% @ 50 Gyr
TEMPORARY PAVEMENT, 10" AND TEMPORARY PAVEMENT (VARIABLE DEPTH) TEMP PAVEMENT (HMA BINDER IL-19mm) (3 LIFTS) HOT-MIX ASPHALT SURFACE COURSE, MIX "D", N50 (IL 9.5mm)	8" 2"	4% @ 50 Gyr 4% @ 50 Gyr
DRIVEWAYS HOT-MIX ASPHALT SURFACE COURSE, MIX "D", N50, (IL-9.5mm) HOT-MIX ASPHALT BASE COURSE, PE-6" OR CE-8" (HMA BINDER IL-19mm) (2 LIFTS)	2" 6" OR 8"	4% @ 50 Gyr 4% @ 50 Gyr
PATCHING CLASS D PATCHES (HMA BINDER IL-19mm) (4 LIFTS) HMA REPLACEMENT OVER PATCHES (HMA BINDER IL-19mm)	9" 2 1/4" MIN	4% @ 70 Gyr 4% @ 70 Gyr

THE UNIT WEIGHT USED TO CALCULATE ALL HMA SURFACE MIXTURES IS 112 LBS/SQ YD/IN.

THE "AC TYPE" FOR POLYMERIZED HMA MIXES SHALL BE "SBS/SGR PG 76-22" AND FOR NON-POLYMERIZED HMA THE "AC TYPE" SHALL BE "PG 64-22" UNLESS MODIFIED BY DISTRICT ONE SPECIAL PROVISIONS. FOR "PERCENT OF RAP" SEE DISTRICT ONE SPECIAL PROVISIONS. FOR USE OF RECYCLED MATERIALS, SEE SPECIAL PROVISIONS.

PC CONCRETE TEMPORARY PAVEMENT SHALL CONSIST OF CLASS PV CONCRETE MEETING THE REQUIREMENTS OF ARTICLE 1020 OF THE STANDARD SPECIFICATIONS.

IDOT HIGHWAY STANDARDS

000001-06 STANDARD SYMBOLS, ABBREVIATIONS AND PATTERNS
 280001-07 TEMPORARY EROSION CONTROL SYSTEMS
 420001-07 PAVEMENT JOINTS
 420101-04 24' (7.2m) JOINTED PCC PAVEMENT
 420501-04 PCC PAVEMENT AND PCC BASE COURSE ADJACENT TO RAILROAD GRADE CROSSING
 420701-02 PAVEMENT FABRIC
 424001-07 PERPENDICULAR CURB RAMPS FOR SIDEWALKS
 515001-03 NAME PLATE FOR BRIDGES
 542301-03 PRECAST REINFORCED CONCRETE FLARED END SECTION
 542311-04 TRAVERSABLE PIPE GRATE
 601101-01 CONCRETE HEADWALL FOR PIPE DRAIN
 602001-02 CATCH BASIN TYPE A
 602301-03 INLET-TYPE A
 602401-03 MANHOLE TYPE A
 602406-05 MANHOLE TYPE A 6' (1.8 m) DIAMETER
 604001-03 FRAME AND LIDS TYPE 1
 604036-02 GRATE TYPE 8
 604091-02 FRAME AND GRATE TYPE 24
 606001-05 CONCRETE CURB TYPE B AND COMBINATION CONCRETE CURB AND GUTTER
 606301-04 PC CONCRETE ISLANDS AND MEDIANS
 630001-10 STEEL PLATE BEAM GUARDRAIL
 630301-06 SHOULDER WIDENING FOR TYPE 1 (SPECIAL) GUARDRAIL TERMINALS
 631026-05 TRAFFIC BARRIER TERMINAL, TYPE 5
 631031-11 TRAFFIC BARRIER TERMINAL, TYPE 6
 635006-03 REFLECTOR AND TERMINAL MARKER PLACEMENT
 635011-02 REFLECTOR MARKER AND MOUNTING DETAILS
 643001-01 SAND MODULE IMPACT ATTENUATORS
 667101-02 PERMANENT SURVEY MARKERS
 701001-02 OFF-RD OPERATIONS, 2L, 2W, MORE THAN 15' (4.5 m) AWAY
 701006-04 OFF-RD OPERATIONS, 2L, 2W, 15' (4.5 m) TO 24" (600 mm) FROM PAVEMENT EDGE
 701011-03 OFF-RD MOVING OPERATIONS, 2L, 2W, DAY ONLY
 701106-02 OFF-RD OPERATIONS, MULTILANE, MORE THAN 15' (4.5 m) AWAY
 701301-04 LANE CLOSURE, 2L, 2W, SHORT TIME OPERATIONS
 701311-03 LANE CLOSURE, 2L, 2W, MOVING OPERATIONS - DAY ONLY
 701326-04 LANE CLOSURE, 2L, 2W, PAVEMENT WIDENING, FOR SPEEDS ≥ 45 MPH
 701421-05 LANE CLOSURE, MULTILANE, DAY OPERATIONS ONLY, FOR SPEEDS ≥ 45 MPH TO 55 MPH
 701501-06 URBAN LANE CLOSURE, 2L, 2W, UNDIVIDED
 701601-08 URBAN LANE CLOSURE, MULTILANE, 1W OR 2W WITH NONTRAVERSABLE MEDIAN
 701606-08 URBAN LANE CLOSURE, MULTILANE, 2W WITH MOUNTABLE MEDIAN
 701701-08 URBAN LANE CLOSURE, MULTILANE INTERSECTION
 701901-02 TRAFFIC CONTROL DEVICES
 704001-07 TEMPORARY CONCRETE BARRIER
 720001-01 SIGN PANEL MOUNTING DETAILS
 720006-03 SIGN PANEL ERECTION DETAILS
 720011-01 METAL POSTS FOR SIGNS, MARKERS & DELINEATORS
 728001-01 TELESCOPING STEEL SIGN SUPPORT
 729001-01 APPLICATIONS OF TYPES A & B METAL POSTS (FOR SIGNS AND MARKERS)
 731001-01 BASE FOR TELESCOPING STEEL SIGN SUPPORT
 780001-03 TYPICAL PAVEMENT MARKINGS
 805001-01 ELECTRICAL SERVICE INSTALLATION DETAILS
 814001-02 HANDHOLES
 814006-02 DOUBLE HANDHOLES
 857001-01 STANDARD PHASE DESIGNATION DIAGRAMS AND PHASE SEQUENCES
 862001-01 UNINTERRUPTABLE POWER SUPPLY (UPS)
 873001-02 TRAFFIC SIGNAL GROUNDING & BONDING
 877001-05 STEEL MAST ARM ASSEMBLY AND POLE 16' THROUGH 55'
 877011-05 STEEL COMB. MAST ARM ASSEMBLY AND POLE 16' THROUGH 55'
 878001-09 CONCRETE FOUNDATION DETAILS
 880001-01 SPAN WIRE MOUNTED SIGNALS AND FLASHING BEACON INSTALLATION
 880006-01 TRAFFIC SIGNAL MOUNTING DETAILS
 886001-01 DETECTOR LOOP INSTALLATIONS

FILE NAME +	DESIGNED - AAF	REVISED -
...General\018398-sh1-index.dgn	DRAWN - TMB	REVISED -
USER NAME = tblank	CHECKED - JMM	REVISED -
PLOT DATE = 2/26/2013	DATE - 01/18/2013	REVISED -



**STATE OF ILLINOIS
DIVISION OF TRANSPORTATION**

**INDEX OF SHEETS, STANDARDS
AND HMA REQUIREMENTS**

SCALE: NTS SHEET NO. 1 OF 1 SHEETS STA. TO STA.

F.A.P. RTEL	SECTION	COUNTY	TOTAL SHEETS	SHEET NO.
361	06-00214-18-RP	KANE	451	2
CONTRACT NO. 63598				
ILLINOIS FED. AID PROJECT				

GENERAL NOTES

1. EXCEPT WHERE MODIFIED BY THE SPECIAL PROVISIONS INCLUDED IN THE CONTRACT DOCUMENTS OR THE DETAILS IN THE PLANS, ALL CONSTRUCTION SHALL BE DONE IN ACCORDANCE WITH THE "STANDARD SPECIFICATIONS FOR ROAD AND BRIDGE CONSTRUCTION", ADOPTED JANUARY 1, 2012; THE "SUPPLEMENTAL SPECIFICATIONS AND RECURRING SPECIAL PROVISIONS", ADOPTED JANUARY 1, 2013; THE LATEST EDITION OF THE "ILLINOIS MANUAL ON UNIFORM TRAFFIC CONTROL DEVICES FOR STREETS AND HIGHWAYS", THE "STANDARD SPECIFICATIONS FOR WATER AND SEWER MAIN CONSTRUCTION IN ILLINOIS" JULY 2009 SIXTH EDITION; THE "DETAILS" IN THE PLANS; AND THE "SPECIAL PROVISIONS" IN THE CONTRACT DOCUMENTS.
2. BEFORE STARTING ANY EXCAVATION, THE CONTRACTOR SHALL CALL "JULIE" AT 800-892-0123 FOR FIELD LOCATIONS OF BURIED ELECTRIC, TELEPHONE AND GAS FACILITIES. (48 HOUR NOTIFICATION IS REQUIRED)
3. THE CONTRACTOR SHALL BE RESPONSIBLE FOR CONTACTING THE OWNERS OF ALL EXISTING FACILITIES SO THAT THE UTILITIES AND THEIR APPURTENANCES MAY BE LOCATED AND ADJUSTED OR MOVED. IF NECESSARY, PRIOR TO THE START OF CONSTRUCTION OPERATIONS, THE CONTRACTOR SHALL COOPERATE WITH ALL UTILITY OWNERS AS PROVIDED FOR IN THE STANDARD SPECIFICATIONS.
4. THE LOCATIONS OF EXISTING DRAINAGE STRUCTURES, STORM AND SANITARY SEWERS, WATER SERVICE LINES AND OTHER UTILITY LINES ARE APPROXIMATE, AND THE ENGINEER DOES NOT GUARANTEE THEIR ACCURACY. THEIR EXACT HORIZONTAL AND VERTICAL LOCATIONS ARE TO BE DETERMINED IN THE FIELD BY THE CONTRACTOR AT HIS OWN EXPENSE.
5. THE CONTRACTOR SHALL BE RESPONSIBLE FOR THE PROTECTION OF ALL UNDERGROUND OR SURFACE UTILITIES. ANY UTILITY THAT IS DAMAGED DURING CONSTRUCTION SHALL BE REPAIRED OR REPLACED TO THE SATISFACTION OF THE ENGINEER. THIS WORK SHALL BE AT THE CONTRACTOR'S EXPENSE.
6. THE CONTRACTOR SHALL PROVIDE ALL NECESSARY PROTECTION FOR EXISTING UTILITIES IN CONFORMANCE WITH THE AFFECTED UTILITY COMPANIES REQUIREMENTS AS MAY BE REQUIRED TO PERFORM THE WORK OF THIS CONTRACT.
7. 10 FOOT TRANSITIONS SHALL BE USED TO MATCH PROPOSED CURB AND GUTTER AND MEDIAN ITEMS OF WORK TO EXISTING CURBS AND GUTTERS AND MEDIANS IN THE FIELD, UNLESS OTHERWISE SHOWN. THE TRANSITIONS SHALL BE PAID FOR AT THE CONTRACT UNIT PRICE FOR THE PROPOSED ITEMS OF WORK SPECIFIED.
8. THE CONTRACTOR WILL NOT BE ALLOWED TO SET UP A YARD OR FIELD OFFICE ON PUBLIC ROW WITHOUT WRITTEN PERMISSION FROM THE ENGINEER.
9. WHEN ARTIFICIAL LIGHTING IS USED IN NIGHT OPERATIONS THE CONTRACTOR SHALL EXERCISE THE UTMOST PRECAUTIONS IN PREVENTING ADVERSE VISIBILITY TO THE MOTORING PUBLIC AND ADJOINING RESIDENTIAL AREAS.
10. WHEN MILLED PAVEMENT IS OPEN TO TRAFFIC THE MAXIMUM GRADE DIFFERENTIAL BETWEEN PASSES OF THE MILLING MACHINE SHALL NOT EXCEED 1 1/2 INCHES WHERE THE SPEED LIMIT IS 45 MPH OR LESS AND 1 INCH WHERE THE SPEED LIMIT IS GREATER THAN 45 MPH. WITH WRITTEN APPROVAL FROM THE ENGINEER, A MAXIMUM GRADE DIFFERENTIAL OF 3 INCHES MAY BE ALLOWED IF THE EDGE OF THE MILLING IS SLOPED A MINIMUM 1:3 (V:H).
11. THE CONTRACTOR SHALL PROTECT AND CAREFULLY PRESERVE ALL SECTION OR SUBSECTION MONUMENTS OR PROPERTY OR REFERENCE MARKERS UNTIL THE COUNTY, HIS AGENT OR AN AUTHORIZED SURVEYOR HAS WITNESSED OR OTHERWISE REFERENCED THEIR LOCATIONS.
12. ALL RADII FOR PROPOSED CURB AND GUTTER ARE TO THE EDGE OF PAVEMENT UNLESS OTHERWISE NOTED, AND SHALL BE AS INDICATED ON THE PLANS. ELEVATIONS SHOWN AT POINT OF CURVE, ETC. ARE EDGE OF PAVEMENT UNLESS OTHERWISE NOTED.
13. ALL OFFSET LOCATIONS GIVEN ON THE DETAILED PLANS FOR STRUCTURES, EDGE OF PAVEMENT, ETC., ARE FROM THE PROPOSED CENTERLINE OR BASELINE.
14. WHENEVER DURING CONSTRUCTION OPERATIONS ANY LOOSE MATERIAL IS DEPOSITED IN THE FLOW LINE OF DRAINAGE STRUCTURES SUCH THAT THE NATURAL FLOW OF WATER IS OBSTRUCTED, IT SHALL BE REMOVED AT THE CLOSE OF EACH WORKING DAY. AT THE CONCLUSION OF CONSTRUCTION OPERATIONS, ALL UTILITY STRUCTURES SHALL BE FREE FROM DIRT AND DEBRIS. THE WORK SPECIFIED ABOVE WILL NOT BE PAID FOR SEPARATELY, BUT SHALL BE INCLUDED IN THE COST OF THE CONTRACT.

GENERAL NOTES CON'T

15. WHEN EXISTING DRAINAGE FACILITIES ARE DISTURBED, THE CONTRACTOR SHALL PROVIDE AND MAINTAIN TEMPORARY OUTLETS AND CONNECTIONS FOR ALL PRIVATE OR PUBLIC DRAINS, SEWERS OR CATCH BASINS. HE SHALL PROVIDE FACILITIES TO TAKE IN ALL STORM WATER WHICH WILL BE RECEIVED BY THESE DRAINS AND SEWERS AND DISCHARGE THE SAME. HE SHALL PROVIDE AND MAINTAIN AN EFFICIENT PUMPING PLANT, IF NECESSARY, AND A TEMPORARY OUTLET AND BE PREPARED AT ALL TIMES TO DISPOSE OF THE WATER RECEIVED FROM THESE TEMPORARY CONNECTIONS UNTIL SUCH TIME AS THE PERMANENT CONNECTIONS WITH SEWERS ARE BUILT AND IN SERVICE, THIS WORK WILL NOT BE PAID FOR SEPARATELY, BUT SHALL BE INCLUDED IN THE COST OF THE CONTRACT.
16. ANY EXISTING OR PROPOSED STORM SEWER DAMAGED BY THE CONTRACTOR DURING CONSTRUCTION SHALL BE REPLACED BY THE CONTRACTOR AT NO COST TO THE DEPARTMENT.
17. THE ENDS OF EXISTING DRAINAGE LINES AND HOLES IN EXISTING MANHOLES WHICH ARE NOT TO BE INCORPORATED INTO THE PROPOSED IMPROVEMENTS DESIGNATED BY THE ENGINEER SHALL BE SEALED WITH A PORTLAND CEMENT MORTAR TO THE SATISFACTION OF THE ENGINEER. COST OF THIS WORK SHALL BE INCLUDED IN THE CONTRACT UNIT PRICE OF STORM SEWER REMOVAL.
18. EXCAVATIONS FOR STRUCTURE AND/OR PIPELINE INSTALLATION SHALL BE KEPT DRY AT ALL TIMES DURING STRUCTURE/PIPE PLACEMENT. APPROPRIATE FACILITIES TO MAINTAIN THE DRY EXCAVATIONS SHALL BE PROVIDED BY THE CONTRACTOR AND THE COST OF SUCH SHALL BE INCLUDED IN THE CONTRACT UNIT PRICE FOR THE VARIOUS ITEMS TO WHICH THEY PERTAIN.
19. ALL TRENCH BACKFILL QUANTITIES FOR STORM AND SANITARY SEWER HAVE BEEN COMPUTED AND SHALL BE PAID FOR IN ACCORDANCE WITH THE STATE OF ILLINOIS DEPARTMENT OF TRANSPORTATION DIVISION OF HIGHWAYS BUREAU OF CONSTRUCTION TRENCH BACKFILL TABLE, BASED ON INVERT DEPTH FROM EXISTING PAVEMENT. TRENCH BACKFILL REQUIRED IN EXCESS OF THE QUANTITY ESTABLISHED ABOVE, INCLUDING BEDDING MATERIAL, WILL NOT BE MEASURED FOR PAVEMENT.
20. THE CONTRACTOR SHALL PROVIDE ACCESS TO ABUTTING PROPERTY AT ALL TIMES DURING THE CONSTRUCTION OF THIS PROJECT, EXCEPT FOR PERIODS OF SHORT DURATION, 3-DAY NOTICE SHALL BE GIVEN TO THE ABUTTING PROPERTY OWNER PRIOR TO ANY SHORT DURATION'S WHERE ACCESS WILL NOT BE MAINTAINABLE. THE COST TO PROVIDE ACCESS SHALL BE PAID FOR AND INCLUDED IN THE ITEM "AGGREGATE FOR TEMPORARY ACCESS".
21. IT SHALL BE THE CONTRACTORS RESPONSIBILITY TO VERIFY ALL DIMENSIONS AND CONDITIONS EXISTING IN THE FIELD PRIOR TO ORDERING MATERIALS AND BEGINNING CONSTRUCTION.
22. ALL SAWCUTTING SHALL BE INCLUDED IN PAVEMENT REMOVAL, PAVED SHOULDER REMOVAL, DRIVEWAY PAVEMENT REMOVAL, MEDINA REMOVAL, BIKE PATH REMOVAL AND COMBINATION CURB & GUTTER REMOVAL AND SHALL BE PERFORMED PRIOR TO BEGINNING REMOVAL.
23. RAMPS OR DEPRESSED CURBS ACCESSIBLE TO THE HANDICAPPED SHALL BE PROVIDED FOR ALL SIDEWALKS AND BICYCLE PATHS AT ALL CROSSWALKS, ALLEYS, AND CURBED DRIVEWAYS, STANDARD (NON-ADA) DEPRESSED CURB SHALL BE PROVIDED FOR ALL DRIVEWAYS AT THE EDGE OF PAVEMENT PER 2012 STANDARDS.
24. ALL EXISTING SIGNS LOCATED WITHIN THE COUNTY RIGHT-OF-WAY SHALL BE REMOVED BY THE KDOT SIGN SHOP. THE CONTRACTOR SHALL CONTACT RAY JOHNSON (630) 669-7912 A MINIMUM OF 48 HOURS PRIOR TO THE DESIRED TIME OF REMOVAL.
25. ALL NEW SIGNS TO BE LOCATED WITHIN THE COUNTY RIGHT-OF-WAY SHALL BE INSTALLED BY THE KDOT SIGN SHOP. THE CONTRACTOR SHALL CONTACT RAY JOHNSON (630) 669-7912 IN COMPLIANCE WITH THE SPECIAL PROVISIONS.
26. IT SHALL BE THE CONTRACTOR'S RESPONSIBILITY TO UNDERSTAND THE SOIL AND GROUNDWATER CONDITIONS AT THE SITE. COPIES OF AVAILABLE GEOTECHNICAL INFORMATION ARE AVAILABLE FROM THE COUNTY (630-584-1170) FOR REVIEW AND INFORMATION
27. THE CONTRACTOR SHALL CONTACT THE IDOT TRAFFIC CONTROL SUPERVISOR AT (847) 705-4470 A MINIMUM OF 72 HOURS IN ADVANCE OF BEGINNING WORK.
28. THE CONTRACTOR SHALL OBTAIN ALL NECESSARY PERMITS, AS REQUIRED, PRIOR TO COMMENCING WITH CONSTRUCTION.

GENERAL NOTES CON'T

29. POLLUTION CONTROL: THE CONTRACTOR SHALL BE REQUIRED TO COMPLY WITH STATE REGULATIONS REGARDING AIR, WATER AND NOISE POLLUTION.
30. THE REMOVAL OF EXISTING STORM SEWERS, DRAINAGE STRUCTURES AND ENTRANCE PIPE CULVERTS SHALL BE INCLUDED IN THE COST OF THE CONTRACT WHEN REMOVED AS PART OF EARTH EXCAVATION OR DURING THE INSTALLATION OF THE PROPOSED ITEMS OF WORK.
31. THE CONTRACTOR SHALL SUBMIT TO THE ENGINEER A SATISFACTORY PROGRESS SCHEDULE AND CRITICAL PATH SCHEDULE WHICH SHALL SHOW THE PROPOSED SEQUENCE OF WORK AT THE TIME OF THE PRE-CONSTRUCTION CONFERENCE.
32. NO WORK SHALL COMMENCE UNTIL TRAFFIC CONTROL REQUIREMENTS ARE MET.
33. THE ENGINEER SHALL BE THE SOLE JUDGE CONCERNING CURING TIME FOR THE VARIOUS BITUMINOUS ITEMS.
34. IT IS THE CONTRACTOR'S SOLE RESPONSIBILITY TO COORDINATE WITH THE UNION PACIFIC AND CANADIAN NATIONAL RAILROADS WHENEVER CONSTRUCTION ACTIVITY IS WITHIN 25 FEET OF THE RAILROAD ROW. THE CONTRACTOR SHALL RETAIN FLAGMEN EMPLOYED AND DESIGNATED BY THE UNION PACIFIC AND CANADIAN NATIONAL RAILROADS TO MONITOR ON-COMING TRAIN TRAFFIC, AND ADVISE CONTRACTOR PERSONNEL WHEN ACTIVITY ON OR NEAR THE RAILROAD RIGHT-OF-WAY MAY PROCEED. THIS ITEM WILL BE PAID FOR IN ACCORDANCE TO ARTICLE 107.12 AND WILL BE REIMBURSED ACCORDING TO ARTICLE 109.05.
35. THE BITUMINOUS MATERIAL PRIME COAT QUANTITIES HAVE BEEN DETERMINED USING A RATE OF 0.44 GAL/SQ YDS.
36. ALL EXISTING GRANULAR AND HOT-MIX ASPHALT PAVEMENT TO BE REMOVED AND NOT PAID AS A SPECIFIC ITEM SHALL BE CONSIDERED EARTH EXCAVATION AND SHALL BE PAID FOR AT THE CONTRACT UNIT PRICE FOR EARTH EXCAVATION.
37. THIS PROJECT REQUIRES A US ARMY CORPS OF ENGINEERS 404 PERMIT. THE PERMIT ISSUED TO THE DEPARTMENT DOES NOT COVER THE IN STREAM WORK BY CONTRACTOR. THEREFORE AFTER AWARD, THE CONTRACTOR WILL NEED TO SUBMIT THE WORK PLAN TO THE CORPS. THE CORPS WILL NOT BE PROVIDING AN APPROVAL UNLESS STATED OTHERWISE IN THE PERMIT AND IN STREAM WORK CAN COMMENCE AT THE CONTRACTOR'S DISCRETION. GUIDELINES ON ACCEPTABLE IN STREAM WORK TECHNIQUES CAN BE FOUND ON THE CORPS WEBSITE: [HTTP://WWW.LRC.USACE.ARMY.MIL/](http://www.lrc.usace.army.mil/). LIMITED INVESTIGATION OF SUBSURFACE CONDITIONS HAS BEEN MADE FOR DESIGN. IT IS THE CONTRACTOR'S RESPONSIBILITY TO CONFIRM UTILITY AND FIELD CONDITIONS.
38. LIMITED INVESTIGATION OF SUBSURFACE CONDITIONS AT THE PROPOSED SITE OF WORK HAS BEEN MADE FOR THE PURPOSE OF DESIGN. KANE COUNTY DEPARTMENT OF TRANSPORTATION, GEOSERVICES AND ALFRED BENESCH & CO. ASSUME NO RESPONSIBILITY WITH RESPECT TO THE SUFFICIENCY OR ACCURACY OF THESE PRELIMINARY INVESTIGATIONS, NOT THEIR INTERPRETATION, AND THERE IS NO GUARANTEE, EITHER EXPRESSED OR IMPLIED THAT CONDITIONS INDICATED ARE REPRESENTATIVE OF THOSE EXISTING THROUGHOUT THE WORK OR ANY PART OF IT, OR THAT UNFORESEEN DEVELOPMENTS MAY OCCUR.
39. THE CONTRACTOR WILL PREPAY THE CANADIAN NATIONAL RAILROAD IN ADVANCE FOR FLAGGING SERVICES PROVIDED. THE CONTRACTOR WILL DEPOSIT THE COST OF FLAGGING SERVICES FOR THIRTY (30) DAYS WITH THE CN. THE CONTRACTOR WILL BE REIMBURSED BY IDOT IN ACCORDANCE WITH ARTICLE 109.05 OF THE STANDARD SPECIFICATIONS.
40. ANY PROPOSED ACTIVITY IN THE VICINITY OF THE HIGHWAY-RAIL GRADE CROSSING MUST ADHERE TO THE GUIDELINES SET FORTH IN THE CURRENT EDITION OF THE MANUAL ON UNIFORM TRAFFIC CONTROL DEVICES (MUTCD) REGARDING WORK IN TEMPORARY TRAFFIC CONTROL ZONES WHICH STATES THAT LANE RESTRICTIONS, FLAGGING, OR OTHER OPERATIONS SHALL NOT CREATE CONDITIONS WHERE VEHICLES CAN BE QUEUED ACROSS THE RAILROAD TRACKS. IF THE QUEUING OF VEHICLES ACROSS THE TRACKS CANNOT BE AVOIDED, A UNIFORMED LAW ENFORCEMENT OFFICER OR FLAGGER SHALL BE PROVIDED AT THE CROSSING TO PREVENT VEHICLES FROM STOPPING ON THE TRACKS, EVEN IF AUTOMATIC WARNING DEVICES ARE IN PLACE.
41. FOR WORK OUTSIDE THE LIMITS OF BRIDGE APPROACH PAVEMENT, ALL REFERENCES IN THE HIGHWAY STANDARDS AND SPECIFICATIONS FOR REINFORCEMENT, DOWEL BARS AND TIE BARS IN PAVEMENT, SHOULDERS, CURB, GUTTER, COMBINATION CURB AND GUTTER AND MEDIAN, AND CHAIR SUPPORTS FOR CRC PAVEMENT, SHALL BE EPOXY COATED, UNLESS NOTED ON THE PLAN.
42. EXISTING MAILBOXES AFFECTED BY CONSTRUCTION SHALL BE RELOCATED AS DIRECTED BY THE LOCAL POSTAL AUTHORITY AND THE ENGINEER. THIS WORK WILL NOT BE PAID FOR SEPARATELY BUT SHALL BE CONSIDERED INCIDENTAL TO THE CONTRACT.
43. TWO WEEKS PRIOR TO PLACEMENT OF PERMANENT PAVEMENT MARKINGS, THE ENGINEER SHALL CONTACT DON CHIARUGI, AREA TRAFFIC FIELD ENGINEER, AT (847) 741-9857.
44. THE EXISTING 16 INCH FOX RIVER WATER RECLAMATION DISTRICT SANITARY FORCE MAIN, WILL BE FILLED AND ABANDONED BY OTHERS. THE 30 INCH CASING PIPE IS TO BE REMOVED PRIOR TO CONSTRUCTION OF SN 045-3168 AND TEMPORARY SHOO-FLY STRUCTURE. THIS WORK WILL NOT BE PAID FOR SEPARATELY BUT SHALL BE CONSIDERED INCIDENTAL TO THE CONTRACT.

FILE NAME =	DESIGNED - AAF	REVISED - ADDENDUM	04/15/2013
...\\163598-sht-gennote-01.dgn	DRAWN - TMB	REVISED -	
USER NAME = toddblank	CHECKED - JMM	REVISED -	
PLOT DATE = 4/15/2013	DATE - 01/18/2013	REVISED -	



**STATE OF ILLINOIS
DIVISION OF TRANSPORTATION**

GENERAL NOTES

SCALE: NTS SHEET NO. 1 OF 2 SHEETS STA. TO STA.

F.A.P. RTE.	SECTION	COUNTY	TOTAL SHEETS	SHEET NO.
361	06-00214-18-RP	KANE	451	3
			CONTRACT NO. 63598	
ILLINOIS FED. AID PROJECT				

COMMITMENTS

US DEPARTMENT OF TRANSPORTATION FEDERAL HIGHWAY ADMINISTRATION ILLINOIS
DEPARTMENT OF TRANSPORTATION RECORD OF DECISION FHWA-IL-EIS-93-01-F/4(f):

1. ALLOW MIDWEST GROUNDCOVERS ACCESS TO BREWSTER CREEK.
2. BICYCLE FACILITY COORDINATION WILL BE MAINTAINED THROUGHOUT THE DEVELOPMENT OF THE PROJECT WITH THE KANE COUNTY FOREST PRESERVE, THE ILLINOIS DEPARTMENT OF NATURAL RESOURCES AND THE DUPAGE COUNTY FOREST PRESERVE.
3. ARCHEOLOGICAL ARTIFACTS - POTENTIAL ARCHEOLOGICAL INTEREST WAS IDENTIFIED. IF A SITE IS IDENTIFIED AND IMPACTED BY THE CONSTRUCTION, AND IT IS DETERMINED THAT THE SITE IS ELIGIBLE FOR INCLUSION ON THE NATIONAL REGISTER OF HISTORIC PLACES, A DATA RECOVERY PLAN AND MEMORANDUM OF AGREEMENT WILL BE DEVELOPED IN CONSULTATION WITH THE STATE HISTORIC PRESERVATION OFFICER.
4. GROUNDWATER PROTECTION - MAINTAIN LINING OF SWALES MINIMIZING GROUNDWATER CONTAMINATION. ANY MODIFICATIONS WILL REQUIRE ALL AGENCY APPROVAL.
5. SHALLOW GROUNDWATER AQUIFER PROTECTION - MAINTAIN SWALES AND OTHER DRAINAGE FACILITIES NOT TO INTERCEPT GROUNDWATER.
6. PREVENT SOURCES OF CONTAMINANT FROM AFFECTING GROUNDWATER.
7. MAINTAIN EROSION AND SEDIMENTATION DEVICES AS IDENTIFIED IN THE PLAN DOCUMENTS.
8. COMPLIANCE WITH THE ENVIRONMENTAL CORRIDOR PLAN.
9. ANY DISTURBANCE TO THE FOX RIVER OCCUR ONLY BETWEEN JUNE 8 AND FEBRUARY 29 ONLY.
10. CONSTRUCTION NOISE BE ATTENUATED IN ACCORDANCE WITH SECTION 107.35 OF THE STANDARD SPECIFICATIONS.
11. DUST AND AIR BORN DIRT CONTROL SHALL BE IN ACCORDANCE WITH SECTION 107.36 OF THE STANDARD SPECIFICATIONS.
12. ANY DISTURBANCE TO THE E BRANCH BREWSTER CREEK OCCURS ONLY BETWEEN JUNE 8 AND FEBRUARY 29.

UNION PACIFIC RAILROAD'S GENERAL PLAN NOTES

1. PRIOR TO THE START OF CONSTRUCTION RAILROAD REVIEW AND APPROVAL OF SHORING, DEMOLITION, ERECTION, AND FALSEWORK IS REQUIRED.
2. ALL SHORING SYSTEMS THAT IMPACT THE RAILROAD'S OPERATIONS AND/OR SUPPORT THE RAILROAD'S EMBANKMENT SHALL BE DESIGNED AND CONSTRUCTED PER CURRENT UNION PACIFIC RAILROAD GUIDELINES FOR TEMPORARY SHORING.
3. ALL DEMOLITIONS WITHIN THE RAILROAD'S RIGHT-OF-WAY AND/OR DEMOLITION THAT MAY IMPACT THE RAILROAD'S TRACKS OR OPERATIONS SHALL BE IN COMPLIANCE WITH THE RAILROAD'S DEMOLITION GUIDELINES.
4. ERECTION OVER THE RAILROAD'S RIGHT-OF-WAY SHALL BE DESIGNED TO CAUSE NO INTERRUPTION TO THE RAILROAD'S OPERATIONS. ERECTION OVER THE RAILROAD'S TRACK SHALL BE DEVELOPED SUCH THAT IT ENABLES THE TRACK(S) TO REMAIN OPEN TO TRAIN TRAFFIC PER THE RAILROAD'S REQUIREMENTS.
5. MINIMUM CONSTRUCTION CLEARANCE ENVELOPE OF 21 FEET VERTICAL ABOVE THE PLANE OF TOP-OF-RAIL AND 12 FEET HORIZONTAL AT RIGHT ANGLE FROM CENTERLINE OF TRACK SHALL BE MAINTAINED AT ALL TIME DURING CONSTRUCTION.
6. FALSEWORK CLEARANCE SHALL COMPLY WITH THE RAILROAD'S MINIMUM CONSTRUCTION CLEARANCE ENVELOPE.
7. FOR RAILROAD COORDINATION PLEASE REFER TO THE RAILROAD MINIMUM REQUIREMENTS AS PART OF SPECIAL PROVISIONS.
8. THE CONTRACTOR MUST SUBMIT A PROPOSED METHOD OF EROSION AND SEDIMENT CONTROL AND HAVE THE METHOD APPROVED BY THE RAILROAD.
9. THE PROPOSED GRADE SEPARATION PROJECT SHALL NOT CHANGE THE QUANTITY AND/OR CHARACTERISTICS OF THE FLOW IN THE RAILROAD DITCHES AND/OR DRAINAGE STRUCTURES.
10. THE ELEVATION OF THE EXISTING TOP-OF-RAIL PROFILE SHALL BE VERIFIED BEFORE BEGINNING CONSTRUCTION. ALL DISCREPANCIES SHALL BE BROUGHT TO THE ATTENTION OF THE RAILROAD PRIOR TO CONSTRUCTION.

FILE NAME =	DESIGNED -	REVISED -	 benesch <small>engineers • scientists • planners</small>	STATE OF ILLINOIS DIVISION OF TRANSPORTATION	UPRR GENERAL NOTES & COMMITMENTS			F.A.P. RTE.	SECTION	COUNTY	TOTAL SHEETS	SHEET NO.
...\\D163598-sht-gennote-02.dgn	DRAWN -	REVISED -			361	06-00214-18-RP	KANE	451	4			
USER NAME = tblank	CHECKED -	REVISED -			CONTRACT NO. 63598							
PLOT DATE = 1/17/2013	DATE - 01/18/2013	REVISED -			SCALE:	SHEET NO. 2 OF 2 SHEETS	STA.	TO STA.	ILLINOIS FED. AID PROJECT			

SUMMARY OF QUANTITIES

CONSTRUCTION CODE									
HPP FUNDS									
80% FED 15.5% STATE 4.5% LOCAL	80% FED 15.5% STATE 4.5% LOCAL	80% FED 15.5% STATE 4.5% LOCAL	80% FED 15.5% STATE 4.5% LOCAL	80% FED 15.5% STATE 4.5% LOCAL	80% FED 15.5% STATE 4.5% LOCAL	80% FED 15.5% STATE 4.5% LOCAL	80% FED 15.5% STATE 4.5% LOCAL	80% FED 15.5% STATE 4.5% LOCAL	100% LOCAL
ROADWAY 0003 URBAN	BRIDGE 0008 URBAN	BRIDGE 0011 URBAN	ENVIRONMENTAL 0020 URBAN	SAFETY 0021 URBAN	LANDSCAPING 0031 URBAN	SPECIAL BRIDGE 0040 URBAN	ROADWAY 0003 URBAN		

CODE NO.	ITEM	UNIT	TOTAL QUANTITY	80% FED 15.5% STATE 4.5% LOCAL	80% FED 15.5% STATE 4.5% LOCAL	80% FED 15.5% STATE 4.5% LOCAL	80% FED 15.5% STATE 4.5% LOCAL	80% FED 15.5% STATE 4.5% LOCAL	80% FED 15.5% STATE 4.5% LOCAL	80% FED 15.5% STATE 4.5% LOCAL	100% LOCAL
20100110	TREE REMOVAL (6 TO 15 UNITS DIAMETER)	UNIT	68	68							
20100210	TREE REMOVAL (OVER 15 UNITS DIAMETER)	UNIT	183	183							
20101000	TEMPORARY FENCE	FOOT	2498			2498					
20101100	TREE TRUNK PROTECTION	EACH	20	20							
20200100	EARTH EXCAVATION	CU YD	76680	76680							
20400800	FURNISHED EXCAVATION	CU YD	10520	10520							
20800150	TRENCH BACKFILL	CU YD	2274	2274							
20900110	POROUS GRANULAR BACKFILL	CU YD	228		228						
21001000	GEOTECHNICAL FABRIC FOR GROUND STABILIZATION	SQ YD	43985	43985							
21101505	TOPSOIL EXCAVATION AND PLACEMENT	CU YD	5896					5896			
25000210	SEEDING, CLASS 2A	ACRE	5.75					5.75			
25000400	NITROGEN FERTILIZER NUTRIENT	POUND	518					518			
25000600	POTASSIUM FERTILIZER NUTRIENT	POUND	518					518			
25000700	AGRICULTURAL GROUND LIMESTONE	TON	12					12			

• SPECIALTY ITEM

FILE NAME =	DESIGNED - AAF	REVISED - ADDENDUM ¹ 04/15/2013
...\\General\10163598-sht-soq-01.dgn	DRAWN - TMB	REVISED -
USER NAME = toddblank	CHECKED - JMM	REVISED -
PLOT DATE = 4/16/2013	DATE - 01/18/2013	REVISED -



**STATE OF ILLINOIS
DIVISION OF TRANSPORTATION**

SUMMARY OF QUANTITIES

SCALE: NTS SHEET NO. 1 OF 21 SHEETS STA. TO STA.

F.A.P. RTE.	SECTION	COUNTY	TOTAL SHEETS	SHEET NO.
361	06-00214-18-RP	KANE	451	5
CONTRACT NO. 63598				
ILLINOIS FED. AID PROJECT				

SUMMARY OF QUANTITIES

CODE NO.	ITEM	UNIT	TOTAL QUANTITY	CONSTRUCTION CODE									
				HPP FUNDS									
				80% FED 15.5% STATE 4.5% LOCAL	80% FED 15.5% STATE 4.5% LOCAL	80% FED 15.5% STATE 4.5% LOCAL	80% FED 15.5% STATE 4.5% LOCAL	80% FED 15.5% STATE 4.5% LOCAL	80% FED 15.5% STATE 4.5% LOCAL	80% FED 15.5% STATE 4.5% LOCAL	100% LOCAL		
				ROADWAY 0003 URBAN	BRIDGE 0008 URBAN	BRIDGE 0011 URBAN	ENVIRONMENTAL 0020 URBAN	SAFETY 0021 URBAN	LANDSCAPING 0031 URBAN	SPECIAL BRIDGE 0040 URBAN	ROADWAY 0003 URBAN		
25000775	SELECTIVE MOWING STAKES	EACH	11							11			
25100115	MULCH, METHOD 2	ACRE	5.75							5.75			
25100630	EROSION CONTROL BLANKET	SO YD	14398							14398			
25200200	SUPPLEMENTAL WATERING	UNIT	10							10			
28000250	TEMPORARY EROSION CONTROL SEEDING	POUND	1056				1056						
28000305	TEMPORARY DITCH CHECKS	FOOT	578				578						
28000400	PERIMETER EROSION BARRIER	FOOT	7667				7667						
28000500	INLET AND PIPE PROTECTION	EACH	9				9						
28000510	INLET FILTERS	EACH	113				113						
28001100	TEMPORARY EROSION CONTROL BLANKET	SO YD	14398				14398						
28100105	STONE RIPRAP, CLASS A3	SO YD	108				108						
28100107	STONE RIPRAP, CLASS A4	SO YD	399			399							
28200200	FILTER FABRIC	SO YD	565			457	108						
30300112	AGGREGATE SUBGRADE IMPROVEMENT 12"	SO YD	43985	43985									

• SPECIALTY ITEM

FILE NAME =	DESIGNED - AAF	REVISED -
...General\0163598-sht-soq-02.dgn	DRAWN - TMB	REVISED -
USER NAME = toddblenk	CHECKED - JMM	REVISED -
PLOT DATE = 1/18/2013	DATE - 01/18/2013	REVISED -



**STATE OF ILLINOIS
DIVISION OF TRANSPORTATION**

SUMMARY OF QUANTITIES

SCALE: NTS SHEET NO. 2 OF 21 SHEETS STA. TO STA.

F.A.P. RTE.	SECTION	COUNTY	TOTAL SHEETS	SHEET NO.
361	06-00214-18-RP	KANE	451	6
CONTRACT NO. 63598			ILLINOIS FED. AID PROJECT	

SUMMARY OF QUANTITIES

CODE NO.	ITEM	UNIT	TOTAL QUANTITY	CONSTRUCTION CODE									
				HPP FUNDS									
				80% FED 15.5% STATE 4.5% LOCAL	80% FED 15.5% STATE 4.5% LOCAL	80% FED 15.5% STATE 4.5% LOCAL	80% FED 15.5% STATE 4.5% LOCAL	80% FED 15.5% STATE 4.5% LOCAL	80% FED 15.5% STATE 4.5% LOCAL	80% FED 15.5% STATE 4.5% LOCAL	80% FED 15.5% STATE 4.5% LOCAL		
				ROADWAY 0003 URBAN	BRIDGE 0008 URBAN	BRIDGE 0011 URBAN	ENVIRONMENTAL 0020 URBAN	SAFETY 0021 URBAN	LANDSCAPING 0031 URBAN	SPECIAL BRIDGE 0040 URBAN	100% LOCAL -0003- URBAN		
35101800	AGGREGATE BASE COURSE, TYPE B 6"	SO YD	5513	5513									
35501316	HOT-MIX ASPHALT BASE COURSE, 8"	SO YD	1262	1262									
40201000	AGGREGATE FOR TEMPORARY ACCESS	TON	3135	3135									
40600100	BITUMINOUS MATERIALS (PRIME COAT)	GALLON	4437	4437									
40600300	AGGREGATE (PRIME COAT)	TON	19	19									
40600895	CONSTRUCTING TEST STRIP	EACH	5	5									
40601005	HOT-MIX ASPHALT REPLACEMENT OVER PATCHES	TON	3	3									
40603335	HOT-MIX ASPHALT SURFACE COURSE, MIX "D", N50	TON	342	342									
40701901	HOT-MIX ASPHALT PAVEMENT (FULL DEPTH), 11"	SO YD	2606	2606									
40701931	HOT-MIX ASPHALT PAVEMENT (FULL-DEPTH), 12 1/2"	SO YD	2302	2302									
42000501	PORTLAND CEMENT CONCRETE PAVEMENT 10" (JOINTED)	SO YD	30088	30088									
42001165	BRIDGE APPROACH PAVEMENT	SO YD	1440	1440									
42001300	PROTECTIVE COAT	SO YD	73258	73258									
42400800	DETECTABLE WARNINGS	SO FT	95					95					

* SPECIALTY ITEM

FILE NAME =	DESIGNED - AAF	REVISED -
...General\DI63598-sht-soq-#3.dgn	DRAWN - TMB	REVISED -
USER NAME = toddblank	CHECKED - JMM	REVISED -
PLOT DATE = 1/18/2013	DATE - 01/18/2013	REVISED -



STATE OF ILLINOIS
DIVISION OF TRANSPORTATION

SUMMARY OF QUANTITIES

SCALE: NTS SHEET NO. 3 OF 21 SHEETS STA. TO STA.

F.A.P. RTE.	SECTION	COUNTY	TOTAL SHEETS	SHEET NO.
361	06-00214-18-RP	KANE	451	7
CONTRACT NO. 63598				
ILLINOIS FED. AID PROJECT				

SUMMARY OF QUANTITIES

CODE NO.	ITEM	UNIT	TOTAL QUANTITY	CONSTRUCTION CODE									
				HPP FUNDS									
				80% FED 15.5% STATE 4.5% LOCAL	80% FED 15.5% STATE 4.5% LOCAL	80% FED 15.5% STATE 4.5% LOCAL	80% FED 15.5% STATE 4.5% LOCAL	80% FED 15.5% STATE 4.5% LOCAL	80% FED 15.5% STATE 4.5% LOCAL	80% FED 15.5% STATE 4.5% LOCAL	80% FED 15.5% STATE 4.5% LOCAL		
				ROADWAY 0003 URBAN	BRIDGE 0008 URBAN	BRIDGE 0011 URBAN	ENVIRONMENTAL 0020 URBAN	SAFETY 0021 URBAN	LANDSCAPING 0031 URBAN	SPECIAL BRIDGE 0040 URBAN	100% LOCAL ROADWAY 0003 URBAN		
44000100	PAVEMENT REMOVAL	SO YD	29967	29967									
44000200	DRIVEWAY PAVEMENT REMOVAL	SO YD	2188	2188									
44000500	COMBINATION CURB AND GUTTER REMOVAL	FOOT	1761	1761									
44003100	MEDIAN REMOVAL	SO FT	10423	10423									
44004250	PAVED SHOULDER REMOVAL	SO YD	4167	4167									
44201757	CLASS D PATCHES, TYPE III, 9 INCH	SO YD	21	21									
44213100	PAVEMENT FABRIC	SO YD	476	476									
48101200	AGGREGATE SHOULDERS, TYPE B	TON	185	185									
48203021	HOT-MIX ASPHALT SHOULDERS, 6"	SO YD	639					639					
50100300	REMOVAL OF EXISTING STRUCTURES NO. 1	EACH	1			1							
50100400	REMOVAL OF EXISTING STRUCTURES NO. 2	EACH	1			1							
50105220	PIPE CULVERT REMOVAL	FOOT	126	126									
50200100	STRUCTURE EXCAVATION	CU YD	18			18							
50300225	CONCRETE STRUCTURES	CU YD	115.2			50.7					64.5		

* SPECIALTY ITEM

FILE NAME =	DESIGNED - AAF	REVISED -
...General\16163598-sht-soq-84.dgn	DRAWN - TMB	REVISED -
USER NAME = toddblank	CHECKED - JMM	REVISED -
PLOT DATE = 1/18/2013	DATE - 01/18/2013	REVISED -



**STATE OF ILLINOIS
DIVISION OF TRANSPORTATION**

SUMMARY OF QUANTITIES

SCALE: NTS SHEET NO. 4 OF 21 SHEETS STA. TO STA.

F.A.P. RTE.	SECTION	COUNTY	TOTAL SHEETS	SHEET NO.
361	06-00214-18-RP	KANE	451	8
CONTRACT NO. 63598			ILLINOIS FED. AID PROJECT	

SUMMARY OF QUANTITIES

CODE NO.	ITEM	UNIT	TOTAL QUANTITY	CONSTRUCTION CODE									
				HPP FUNDS									
				80% FED 15.5% STATE 4.5% LOCAL	80% FED 15.5% STATE 4.5% LOCAL	80% FED 15.5% STATE 4.5% LOCAL	80% FED 15.5% STATE 4.5% LOCAL	80% FED 15.5% STATE 4.5% LOCAL	80% FED 15.5% STATE 4.5% LOCAL	80% FED 15.5% STATE 4.5% LOCAL	80% FED 15.5% STATE 4.5% LOCAL	100% LOCAL	
				ROADWAY 0003 URBAN	BRIDGE 0008 URBAN	BRIDGE 0011 URBAN	ENVIRONMENTAL 0020 URBAN	SAFETY 0021 URBAN	LANDSCAPING 0031 URBAN	SPECIAL BRIDGE 0040 URBAN	ROADWAY 0003 URBAN		
50300255	CONCRETE SUPERSTRUCTURE	CU YD	200.3		200.3								
50300260	BRIDGE DECK GROOVING	SO YD	379		379								
50300280	CONCRETE ENCASEMENT	CU YD	5		5								
50300300	PROTECTIVE COAT	SO YD	497		497								
50401005	FURNISHING AND ERECTING PRECAST PRESTRESSED CONCRETE I-BEAMS, 48 IN.	FOOT	274		274								
50500105	FURNISHING AND ERECTING STRUCTURAL STEEL	LSUM	1			1							
50500505	STUD SHEAR CONNECTORS	EACH	880								880		
50800205	REINFORCEMENT BARS, EPOXY COATED	POUND	85200		53370	27300					4530		
50800515	BAR SPLICERS	EACH	60		60								
* 50901730	BRIDGE FENCE RAILING	FOOT	428			428							
51100100	SLOPE WALL 4 INCH	SO YD	194			194							
51201600	FURNISHING STEEL PILES HP12X53	FOOT	882		882								
51201900	FURNISHING STEEL PILES HP14X89	FOOT	5705			5705							
51202305	DRIVING PILES	FOOT	882		882								

* SPECIALTY ITEM

FILE NAME =	DESIGNED - AAF	REVISED -
...General\0163598-sht-soq-#5.dgn	DRAWN - TMB	REVISED -
USER NAME = toddblank	CHECKED - JMM	REVISED -
PLOT DATE = 1/18/2013	DATE - 01/18/2013	REVISED -



**STATE OF ILLINOIS
DIVISION OF TRANSPORTATION**

SUMMARY OF QUANTITIES

SCALE: NTS SHEET NO. 5 OF 21 SHEETS STA. TO STA.

F.A.P. RTE.	SECTION	COUNTY	TOTAL SHEETS	SHEET NO.
361	06-00214-18-RP	KANE	451	9
CONTRACT NO. 63598			ILLINOIS FED. AID PROJECT	

SUMMARY OF QUANTITIES

CODE NO.	ITEM	UNIT	TOTAL QUANTITY	CONSTRUCTION CODE									
				HPP FUNDS									
				80% FED 15.5% STATE 4.5% LOCAL	80% FED 15.5% STATE 4.5% LOCAL	80% FED 15.5% STATE 4.5% LOCAL	80% FED 15.5% STATE 4.5% LOCAL	80% FED 15.5% STATE 4.5% LOCAL	80% FED 15.5% STATE 4.5% LOCAL	80% FED 15.5% STATE 4.5% LOCAL	100% LOCAL		
				ROADWAY 0003 URBAN	BRIDGE 0008 URBAN	BRIDGE 0011 URBAN	ENVIRONMENTAL 0020 URBAN	SAFETY 0021 URBAN	LANDSCAPING 0031 URBAN	SPECIAL BRIDGE 0040 URBAN	ROADWAY 0003 URBAN		
51203600	TEST PILE STEEL HP12X53	EACH	2		2								
51203900	TEST PILE STEEL HP14X89	EACH	5			5							
51204650	PILE SHOES	EACH	14		14								
51500100	NAME PLATES	EACH	2		1	1							
54213657	PRECAST REINFORCED CONCRETE FLARED END SECTIONS 12"	EACH	3	3									
54213663	PRECAST REINFORCED CONCRETE FLARED END SECTIONS 18"	EACH	8	8									
550A0050	STORM SEWERS, CLASS A, TYPE 1 12"	FOOT	267	267									
550A0090	STORM SEWERS, CLASS A, TYPE 1 18"	FOOT	146	146									
550A0340	STORM SEWERS, CLASS A, TYPE 2 12"	FOOT	3793	3793									
550A0360	STORM SEWERS, CLASS A, TYPE 2 15"	FOOT	439	439									
550A0380	STORM SEWERS, CLASS A, TYPE 2 18"	FOOT	785	785									
550A0400	STORM SEWERS, CLASS A TYPE 2 21"	FOOT	622	622									
550A0450	STORM SEWERS, CLASS A TYPE 2 36"	FOOT	430	430									
550A0640	STORM SEWERS, CLASS A TYPE 3 12"	FOOT	24	24									

* SPECIALTY ITEM

FILE NAME =	DESIGNED - AAF	REVISED -
...general\DI63598-sht-soq-06.dgn	DRAWN - TMB	REVISED -
USER NAME = toddblenk	CHECKED - JMM	REVISED -
PLOT DATE = 1/18/2013	DATE - 01/18/2013	REVISED -



**STATE OF ILLINOIS
DIVISION OF TRANSPORTATION**

SUMMARY OF QUANTITIES

SCALE: NTS SHEET NO. 6 OF 21 SHEETS STA. TO STA.

F.A.P. RTE.	SECTION	COUNTY	TOTAL SHEETS	SHEET NO.
361	06-00214-18-RP	KANE	451	10
CONTRACT NO. 63598			ILLINOIS FED. AID PROJECT	

SUMMARY OF QUANTITIES

CODE NO.	ITEM	UNIT	TOTAL QUANTITY	CONSTRUCTION CODE									
				HPP FUNDS									
				80% FED 15.5% STATE 4.5% LOCAL	80% FED 15.5% STATE 4.5% LOCAL	80% FED 15.5% STATE 4.5% LOCAL	80% FED 15.5% STATE 4.5% LOCAL	80% FED 15.5% STATE 4.5% LOCAL	80% FED 15.5% STATE 4.5% LOCAL	80% FED 15.5% STATE 4.5% LOCAL	100% LOCAL		
				ROADWAY 0003 URBAN	BRIDGE 0008 URBAN	BRIDGE 0011 URBAN	ENVIRONMENTAL 0020 URBAN	SAFETY 0021 URBAN	LANDSCAPING 0031 URBAN	SPECIAL BRIDGE 0040 URBAN	ROADWAY 0003 URBAN		
550A0680	STORM SEWERS, CLASS A, TYPE 3 18"	FOOT	480	480									
55200600	STORM SEWER JACKED IN PLACE, 18"	FOOT	50	50									
55201300	STORM SEWER JACKED IN PLACE, 36"	FOOT	192	192									
58000100	MEMBRANE WATERPROOFING	SO FT	3932			3932							
58700300	CONCRETE SEALER	SO FT	5350			5350							
59100100	GEOCOMPOSITE WALL DRAIN	SO YD	94			94							
60200805	CATCH BASINS, TYPE A, 4'-DIAMETER, TYPE 8 GRATE	EACH	10	10									
60201340	CATCH BASINS, TYPE A, 4'-DIAMETER, TYPE 24 FRAME AND GRATE	EACH	115	115									
60205040	CATCH BASINS, TYPE A, 5'-DIAMETER, TYPE 24 FRAME AND GRATE	EACH	3	3									
60205310	CATCH BASINS, TYPE A, 6'-DIAMETER, TYPE 24 FRAME AND GRATE	EACH	3	3									
60218400	MANHOLES, TYPE A, 4'-DIAMETER, TYPE 1 FRAME, CLOSED LID	EACH	23	23									
60221100	MANHOLES, TYPE A, 5'-DIAMETER, TYPE 1 FRAME, CLOSED LID	EACH	12	12									
60223800	MANHOLES, TYPE A, 6'-DIAMETER, TYPE 1 FRAME, CLOSED LID	EACH	3	3									
60500040	REMOVING MANHOLES	EACH	6	6									

• SPECIALTY ITEM

FILE NAME =	DESIGNED - AAF	REVISED -
...general\0163598-sht-soq-07.dgn	DRAWN - TMB	REVISED -
USER NAME = toddblank	CHECKED - JMM	REVISED -
PLOT DATE = 1/18/2013	DATE - 01/18/2013	REVISED -



**STATE OF ILLINOIS
DIVISION OF TRANSPORTATION**

SUMMARY OF QUANTITIES

SCALE: NTS SHEET NO. 7 OF 21 SHEETS STA. TO STA.

F.A.P. RTE.	SECTION	COUNTY	TOTAL SHEETS	SHEET NO.
361	06-00214-18-RP	KANE	451	11
ILLINOIS FED. AID PROJECT			CONTRACT NO. 63598	

SUMMARY OF QUANTITIES

CODE NO.	ITEM	UNIT	TOTAL QUANTITY	CONSTRUCTION CODE									
				HPP FUNDS									
				80% FED 15.5% STATE 4.5% LOCAL	80% FED 15.5% STATE 4.5% LOCAL	80% FED 15.5% STATE 4.5% LOCAL	80% FED 15.5% STATE 4.5% LOCAL	80% FED 15.5% STATE 4.5% LOCAL	80% FED 15.5% STATE 4.5% LOCAL	80% FED 15.5% STATE 4.5% LOCAL	100% LOCAL		
				ROADWAY 0003 URBAN	BRIDGE 0008 URBAN	BRIDGE 0011 URBAN	ENVIRONMENTAL 0020 URBAN	SAFETY 0021 URBAN	LANDSCAPING 0031 URBAN	SPECIAL BRIDGE 0040 URBAN	ROADWAY 0003 URBAN		
60500050	REMOVING CATCH BASINS	EACH	15	15									
60602800	CONCRETE GUTTER, TYPE B	FOOT	252	98							154		
60605000	COMBINATION CONCRETE CURB AND GUTTER, TYPE B-6.24	FOOT	15396	15396									
60610400	COMBINATION CONCRETE CURB AND GUTTER, TYPE M-6.24	FOOT	300	300									
60625600	ISLAND PAVEMENT (6")	SQ YD	2140	2140									
60625900	P. C. C. RAMPED MEDIAN TERMINAL	EACH	2	2									
• 63000001	STEEL PLATE BEAM GUARDRAIL, TYPE A, 6 FOOT POSTS	FOOT	350					350					
• 63100070	TRAFFIC BARRIER TERMINAL, TYPE 5	EACH	1					1					
• 63100085	TRAFFIC BARRIER TERMINAL, TYPE 6	EACH	3					3					
• 63100167	TRAFFIC BARRIER TERMINAL TYPE 1 (SPECIAL) TANGENT	EACH	2					2					
• 63200310	GUARDRAIL REMOVAL	FOOT	325					325					
• 63301210	REMOVE AND REERECT STEEL PLATE BEAM GUARDRAIL, TYPE A	FOOT	887.5					887.5					
• 63301990	REMOVE AND REERECT TRAFFIC BARRIER TERMINALS, TYPE 1	EACH	5					5					
• 63302700	REMOVE AND REERECT TRAFFIC BARRIER TERMINALS, TYPE 6	EACH	1					1					

• SPECIALTY ITEM

FILE NAME =	DESIGNED - AAF	REVISED -
...General\163598-shr-soq-08.dgn	DRAWN - TMB	REVISED -
USER NAME = toddblank	CHECKED - JMM	REVISED -
PLOT DATE = 1/18/2013	DATE - 01/18/2013	REVISED -



**STATE OF ILLINOIS
DIVISION OF TRANSPORTATION**

SUMMARY OF QUANTITIES

SCALE: NTS SHEET NO. 8 OF 21 SHEETS STA. TO STA.

F.A.P. RTE.	SECTION	COUNTY	TOTAL SHEETS	SHEET NO.
361	06-00214-18-RP	KANE	451	12
CONTRACT NO. 63598				
ILLINOIS FED. AID PROJECT				

SUMMARY OF QUANTITIES

CODE NO.	ITEM	UNIT	TOTAL QUANTITY	CONSTRUCTION CODE									
				HPP FUNDS									
				80% FED 15.5% STATE 4.5% LOCAL	80% FED 15.5% STATE 4.5% LOCAL	80% FED 15.5% STATE 4.5% LOCAL	80% FED 15.5% STATE 4.5% LOCAL	80% FED 15.5% STATE 4.5% LOCAL	80% FED 15.5% STATE 4.5% LOCAL	80% FED 15.5% STATE 4.5% LOCAL	80% FED 15.5% STATE 4.5% LOCAL		
				ROADWAY 0003 URBAN	BRIDGE 0008 URBAN	BRIDGE 0011 URBAN	ENVIRONMENTAL 0020 URBAN	SAFETY 0021 URBAN	LANDSCAPING 0031 URBAN	SPECIAL BRIDGE 0040 URBAN	ROADWAY 0003 URBAN		
* 66400305	CHAIN LINK FENCE, 6'	FOOT	154									154	
66700205	PERMANENT SURVEY MARKERS, TYPE I	EACH	10	10									
67000400	ENGINEER'S FIELD OFFICE, TYPE A	CAL MO	19	19									
67100100	MOBILIZATION	LSUM	1	1									
70106800	CHANGEABLE MESSAGE SIGN	CAL MO	54	54									
70300210	TEMPORARY PAVEMENT MARKING LETTERS AND SYMBOLS	SO FT	1258	1258									
70300220	TEMPORARY PAVEMENT MARKING - LINE 4"	FOOT	61471	61471									
70300240	TEMPORARY PAVEMENT MARKING - LINE 6"	FOOT	11081	11081									
70300260	TEMPORARY PAVEMENT MARKING - LINE 12"	FOOT	1957	1957									
70300280	TEMPORARY PAVEMENT MARKING - LINE 24"	FOOT	395	395									
70301000	WORK ZONE PAVEMENT MARKING REMOVAL	SO FT	11989	11989									
70400100	TEMPORARY CONCRETE BARRIER	FOOT	1200	1200									
70600240	IMPACT ATTENUATORS, TEMPORARY (NON-REDIRECTIVE), TEST LEVEL 2	EACH	8	8									
70600340	IMPACT ATTENUATORS, RELOCATE (NON-REDIRECTIVE), TEST LEVEL 2	EACH	1	1									

* SPECIALTY ITEM

SUMMARY OF QUANTITIES

		CONSTRUCTION CODE									
		HPP FUNDS									
CODE NO.	ITEM	UNIT	TOTAL QUANTITY	80% FED 15.5% STATE 4.5% LOCAL	80% FED 15.5% STATE 4.5% LOCAL	80% FED 15.5% STATE 4.5% LOCAL	80% FED 15.5% STATE 4.5% LOCAL	80% FED 15.5% STATE 4.5% LOCAL	80% FED 15.5% STATE 4.5% LOCAL	80% FED 15.5% STATE 4.5% LOCAL	100% LOCAL
				ROADWAY	BRIDGE	BRIDGE	ENVIRONMENTAL	SAFETY	LANDSCAPING	SPECIAL BRIDGE	ROADWAY
				0003 URBAN	0008 URBAN	0011 URBAN	0020 URBAN	0021 URBAN	0031 URBAN	0040 URBAN	0003 URBAN
72000100	SIGN PANEL - TYPE 1	SO FT	249							249	
72400310	REMOVE SIGN PANEL - TYPE 1	SO FT	149						149		
72400710	RELOCATE SIGN PANEL - TYPE 1	SO FT	205						205		
72400720	RELOCATE SIGN PANEL - TYPE 2	SO FT	45						45		
72800100	TELESCOPING STEEL SIGN SUPPORT	FOOT	198						198		
72900100	METAL POST - TYPE A	FOOT	751						751		
72900200	METAL POST - TYPE B	FOOT	261						261		
73000100	WOOD SIGN SUPPORT	FOOT	56						56		
73100100	BASE FOR TELESCOPING STEEL SIGN SUPPORT	EACH	13						13		
73700100	REMOVE GROUND MOUNTED SIGN SUPPORT	EACH	57						57		
78000100	THERMOPLASTIC PAVEMENT MARKING - LETTERS AND SYMBOLS	SO FT	73						73		
78000200	THERMOPLASTIC PAVEMENT MARKING - LINE 4"	FOOT	4438						4438		
78000400	THERMOPLASTIC PAVEMENT MARKING - LINE 6"	FOOT	429						429		
78000600	THERMOPLASTIC PAVEMENT MARKING - LINE 12"	FOOT	158						158		
78008200	POLYUREA PAVEMENT MARKING TYPE I - LETTERS AND SYMBOLS	SO FT	1231						1231		

* SPECIALTY ITEM

FILE NAME *	DESIGNED - AAF	REVISED - ADDENDUM [▲] 04/15/2013
...\\General\0163598-sht-soq-18.dgn	DRAWN - TMB	REVISED -
USER NAME = toddbenk	CHECKED - JMM	REVISED -
PLOT DATE = 4/15/2013	DATE - 01/18/2013	REVISED -



**STATE OF ILLINOIS
DIVISION OF TRANSPORTATION**

SUMMARY OF QUANTITIES

SCALE: NTS SHEET NO. 10 OF 21 SHEETS STA. TO STA.

F.A.P. RTE.	SECTION	COUNTY	TOTAL SHEETS	SHEET NO.
361	06-00214-18-RP	KANE	451	14
CONTRACT NO. 63598				
ILLINOIS FED. AID PROJECT				

SUMMARY OF QUANTITIES

CODE NO.	ITEM	UNIT	TOTAL QUANTITY	CONSTRUCTION CODE									
				HPP FUNDS									
				80% FED 15.5% STATE 4.5% LOCAL	80% FED 15.5% STATE 4.5% LOCAL	80% FED 15.5% STATE 4.5% LOCAL	80% FED 15.5% STATE 4.5% LOCAL	80% FED 15.5% STATE 4.5% LOCAL	80% FED 15.5% STATE 4.5% LOCAL	80% FED 15.5% STATE 4.5% LOCAL	100% LOCAL		
				ROADWAY 0003 URBAN	BRIDGE 0008 URBAN	BRIDGE 0011 URBAN	ENVIRONMENTAL 0020 URBAN	SAFETY 0021 URBAN	LANDSCAPING 0031 URBAN	SPECIAL BRIDGE 0040 URBAN	ROADWAY 0003 URBAN		
• 78008210	POLYUREA PAVEMENT MARKING TYPE I - LINE 4"	FOOT	2085					2085					
• 78008230	POLYUREA PAVEMENT MARKING TYPE I - LINE 6"	FOOT	5390					5390					
• 78008240	POLYUREA PAVEMENT MARKING TYPE I - LINE 8"	FOOT	1513					1513					
• 78008250	POLYUREA PAVEMENT MARKING TYPE I - LINE 12"	FOOT	831					831					
• 78008270	POLYUREA PAVEMENT MARKING TYPE I - LINE 24"	FOOT	567					567					
• 78100100	RAISED REFLECTIVE PAVEMENT MARKER	EACH	194					194					
• 78100105	RAISED REFLECTIVE PAVEMENT MARKER (BRIDGE)	EACH	6					6					
78100200	TEMPORARY RAISED REFLECTIVE PAVEMENT MARKER	EACH	738					738					
• 78200410	GUARDRAIL MARKERS, TYPE A	EACH	17					17					
* 78200530	BARRIER WALL MARKERS, TYPE C	EACH	6					6					
• 78201000	TERMINAL MARKER - DIRECT APPLIED	EACH	6					6					
78300100	PAVEMENT MARKING REMOVAL	SO FT	5947					5947					
78300200	RAISED REFLECTIVE PAVEMENT MARKER REMOVAL	EACH	200					200					
• 80500020	SERVICE INSTALLATION - POLE MOUNTED	EACH	2					2					

• SPECIALTY ITEM

FILE NAME =	DESIGNED - AAF	REVISED -
...General\10163598-sht-soq-11.dgn	DRAWN - TMB	REVISED -
USER NAME = toddblank	CHECKED - JMM	REVISED -
PLOT DATE = 1/18/2013	DATE - 01/18/2013	REVISED -



**STATE OF ILLINOIS
DIVISION OF TRANSPORTATION**

SUMMARY OF QUANTITIES

SCALE: NTS SHEET NO. 11 OF 21 SHEETS STA. TO STA.

F.A.P. RTE.	SECTION	COUNTY	TOTAL SHEETS	SHEET NO.
361	06-00214-18-RP	KANE	451	15
CONTRACT NO. 63598			ILLINOIS FED. AID PROJECT	

SUMMARY OF QUANTITIES

CONSTRUCTION CODE									
HPP FUNDS									
80% FED 15.5% STATE 4.5% LOCAL	80% FED 15.5% STATE 4.5% LOCAL	80% FED 15.5% STATE 4.5% LOCAL	80% FED 15.5% STATE 4.5% LOCAL	80% FED 15.5% STATE 4.5% LOCAL	80% FED 15.5% STATE 4.5% LOCAL	80% FED 15.5% STATE 4.5% LOCAL	80% FED 15.5% STATE 4.5% LOCAL	80% FED 15.5% STATE 4.5% LOCAL	100% LOCAL
ROADWAY 0003 URBAN	BRIDGE 0008 URBAN	BRIDGE 0011 URBAN	ENVIRONMENTAL 0020 URBAN	SAFETY 0021 URBAN	LANDSCAPING 0031 URBAN	SPECIAL BRIDGE 0040 URBAN	ROADWAY 0003 URBAN	ROADWAY 0003 URBAN	ROADWAY 0003 URBAN

CODE NO.	ITEM	UNIT	TOTAL QUANTITY							
81028200	UNDERGROUND CONDUIT, GALVANIZED STEEL, 2" DIA.	FOOT	2762					2762		
81028210	UNDERGROUND CONDUIT, GALVANIZED STEEL, 2 1/2" DIA.	FOOT	1852					1852		
81028220	UNDERGROUND CONDUIT, GALVANIZED STEEL, 3" DIA.	FOOT	118					118		
81028240	UNDERGROUND CONDUIT, GALVANIZED STEEL, 4" DIA.	FOOT	1313					1313		
81400100	HANDHOLE	EACH	21					21		
81400200	HEAVY-DUTY HANDHOLE	EACH	3					3		
81400300	DOUBLE HANDHOLE	EACH	5					5		
86400100	TRANSCEIVER - FIBER OPTIC	EACH	2					2		
87300925	ELECTRIC CABLE IN CONDUIT, TRACER, NO. 14 1C	FOOT	4380					4380		
87301215	ELECTRIC CABLE IN CONDUIT, SIGNAL NO. 14 2C	FOOT	3494					3494		
87301225	ELECTRIC CABLE IN CONDUIT, SIGNAL NO. 14 3C	FOOT	2215					2215		
87301245	ELECTRIC CABLE IN CONDUIT, SIGNAL NO. 14 5C	FOOT	8370					8370		
87301255	ELECTRIC CABLE IN CONDUIT, SIGNAL NO. 14 7C	FOOT	607					607		
87301305	ELECTRIC CABLE IN CONDUIT, LEAD-IN, NO. 14 1 PAIR	FOOT	9229					9229		

• SPECIALTY ITEM

FILE NAME =	DESIGNED - AAF	REVISED - ADDENDUM 04/15/2013
...General\0163598-shr-soq-12.dgn	DRAWN - TMB	REVISED -
USER NAME = toddblank	CHECKED - JMM	REVISED -
PLOT DATE = 4/15/2013	DATE - 01/18/2013	REVISED -



**STATE OF ILLINOIS
DIVISION OF TRANSPORTATION**

SUMMARY OF QUANTITIES			
SCALE: NTS	SHEET NO. 12 OF 21 SHEETS	STA.	TO STA.

F.A.P. RTE.	SECTION	COUNTY	TOTAL SHEETS	SHEET NO.
361	06-00214-18-RP	KANE	451	16
CONTRACT NO. 63598				
ILLINOIS FED. AID PROJECT				

SUMMARY OF QUANTITIES

CODE NO.	ITEM	UNIT	TOTAL QUANTITY	CONSTRUCTION CODE									
				HPP FUNDS									
				80% FED 15.5% STATE 4.5% LOCAL	80% FED 15.5% STATE 4.5% LOCAL	80% FED 15.5% STATE 4.5% LOCAL	80% FED 15.5% STATE 4.5% LOCAL	80% FED 15.5% STATE 4.5% LOCAL	80% FED 15.5% STATE 4.5% LOCAL	80% FED 15.5% STATE 4.5% LOCAL	100% LOCAL		
				ROADWAY 0003 URBAN	BRIDGE 0008 URBAN	BRIDGE 0011 URBAN	ENVIRONMENTAL 0020 URBAN	SAFETY 0021 URBAN	LANDSCAPING 0031 URBAN	SPECIAL BRIDGE 0040 URBAN	ROADWAY 0003 URBAN		
• 87301805	ELECTRIC CABLE IN CONDUIT, SERVICE, NO. 6 2 C	FOOT	77					77					
• 87301900	ELECTRIC CABLE IN CONDUIT, EQUIPMENT GROUNDING CONDUCTOR, NO.6 1C	FOOT	6854					6854					
• 87502480	TRAFFIC SIGNAL POST, GALVANIZED STEEL 14 FT.	EACH	3					3					
• 87502500	TRAFFIC SIGNAL POST, GALVANIZED STEEL 16 FT.	EACH	1					1					
• 87502520	TRAFFIC SIGNAL POST, GALVANIZED STEEL 18 FT.	EACH	1					1					
• 87700230	STEEL MAST ARM ASSEMBLY AND POLE, 38 FT.	EACH	1					1					
• 87700250	STEEL MAST ARM ASSEMBLY AND POLE, 42 FT.	EACH	2					2					
• 87702910	STEEL COMBINATION MAST ARM ASSEMBLY AND POLE 36 FT.	EACH	1					1					
• 87702990	STEEL COMBINATION MAST ARM ASSEMBLY AND POLE 54 FT.	EACH	1					1					
• 87800100	CONCRETE FOUNDATION, TYPE A	FOOT	52					52					
• 87800150	CONCRETE FOUNDATION, TYPE C	FOOT	8					8					
• 87800415	CONCRETE FOUNDATION, TYPE E 36-INCH DIAMETER	FOOT	74					74					
• 87900200	DRILL EXISTING HANDHOLE	EACH	5					5					
• 88030020	SIGNAL HEAD, LED, 1-FACE, 3-SECTION, MAST-ARM MOUNTED	EACH	15					15					

• SPECIALTY ITEM

FILE NAME =	DESIGNED - AAF	REVISED -
...General\0163598-sht-soq-13.dgn	DRAWN - TMB	REVISED -
USER NAME = toddblank	CHECKED - JMM	REVISED -
PLOT DATE = 1/18/2013	DATE - 01/18/2013	REVISED -



**STATE OF ILLINOIS
DIVISION OF TRANSPORTATION**

SUMMARY OF QUANTITIES

SCALE: NTS SHEET NO. 13 OF 21 SHEETS STA. TO STA.

F.A.P. RTE.	SECTION	COUNTY	TOTAL SHEETS	SHEET NO.
361	06-00214-18-RP	KANE	451	17
CONTRACT NO. 63598			ILLINOIS FED. AID PROJECT	

SUMMARY OF QUANTITIES

CONSTRUCTION CODE							
HPP FUNDS							
80% FED 15.5% STATE 4.5% LOCAL	80% FED 15.5% STATE 4.5% LOCAL	80% FED 15.5% STATE 4.5% LOCAL	80% FED 15.5% STATE 4.5% LOCAL	80% FED 15.5% STATE 4.5% LOCAL	80% FED 15.5% STATE 4.5% LOCAL	80% FED 15.5% STATE 4.5% LOCAL	100% LOCAL
ROADWAY	BRIDGE	BRIDGE	ENVIRONMENTAL	SAFETY	LANDSCAPING	SPECIAL BRIDGE	ROADWAY
0003	0008	0011	0020	0021	0031	0040	0003
URBAN	URBAN	URBAN	URBAN	URBAN	URBAN	URBAN	URBAN

CODE NO.	ITEM	UNIT	TOTAL QUANTITY							
• 88030050	SIGNAL HEAD, LED, 1-FACE ,3-SECTION, BRACKET MOUNTED	EACH	9					9		
• 88030110	SIGNAL HEAD, LED, 1-FACE, 5-SECTION, MAST-ARM MOUNTED	EACH	1					1		
• 88030210	SIGNAL HEAD, LED, 2-FACE, 3-SECTION, BRACKET MOUNTED	EACH	3					3		
• 88030240	SIGNAL HEAD, LED, 2-FACE, 1-3 SECTION, 1-5 SECTION, BRACKET MOUNTED	EACH	1					1		
* 88102717	PEDESTRIAN SIGNAL HEAD, LED, 1-FACE, BRACKET MOUNTED WITH COUNTDOWN TIMER	EACH	2					2		
• 88200210	TRAFFIC SIGNAL BACKPLATE, LOUVERED, ALUMINUM	EACH	34					34		
• 88500100	INDUCTIVE LOOP DETECTOR	EACH	19					19		
• 88600700	PREFORMED DETECTOR LOOP	FOOT	1339					1339		
• 88700200	LIGHT DETECTOR	EACH	5					5		
• 88700300	LIGHT DETECTOR AMPLIFIER	EACH	2					2		
• 88800100	PEDESTRIAN PUSH-BUTTON	EACH	2					2		
• 89000100	TEMPORARY TRAFFIC SIGNAL INSTALLATION	EACH	3					3		
• 89501150	RELOCATE EXISTING TRAFFIC SIGNAL POST	EACH	8					8		
• 89501300	RELOCATE EXISTING MAST ARM ASSEMBLY AND POLE	EACH	1					1		

• SPECIALTY ITEM

FILE NAME =	DESIGNED - AAF	REVISED -
...General\0163598-sht-soq-14.dgn	DRAWN - TMB	REVISED -
USER NAME = toddblank	CHECKED - JMM	REVISED -
PLOT DATE = 1/18/2013	DATE - 01/18/2013	REVISED -



**STATE OF ILLINOIS
DIVISION OF TRANSPORTATION**

SUMMARY OF QUANTITIES

SCALE: NTS SHEET NO. 14 OF 21 SHEETS STA. TO STA.

F.A.P. RTE.	SECTION	COUNTY	TOTAL SHEETS	SHEET NO.
361	06-00214-18-RP	KANE	451	18
			CONTRACT NO. 63598	
ILLINOIS FED. AID PROJECT				

SUMMARY OF QUANTITIES

CODE NO.	ITEM	UNIT	TOTAL QUANTITY	CONSTRUCTION CODE									
				HPP FUNDS									
				80% FED 15.5% STATE 4.5% LOCAL	80% FED 15.5% STATE 4.5% LOCAL	80% FED 15.5% STATE 4.5% LOCAL	80% FED 15.5% STATE 4.5% LOCAL	80% FED 15.5% STATE 4.5% LOCAL	80% FED 15.5% STATE 4.5% LOCAL	80% FED 15.5% STATE 4.5% LOCAL	100% LOCAL		
				ROADWAY 0003 URBAN	BRIDGE 0008 URBAN	BRIDGE 0011 URBAN	ENVIRONMENTAL 0020 URBAN	SAFETY 0021 URBAN	LANDSCAPING 0031 URBAN	SPECIAL BRIDGE 0040 URBAN	ROADWAY 0003 URBAN		
89502105	REBUILD EXISTING SIGNAL HEAD, LED	EACH	2					2					
89502200	MODIFY EXISTING CONTROLLER	EACH	1					1					
89502300	REMOVE ELECTRIC CABLE FROM CONDUIT	FOOT	5362					5362					
89502375	REMOVE EXISTING TRAFFIC SIGNAL EQUIPMENT	EACH	3					3					
89502376	REBUILD EXISTING HANDHOLE	EACH	1					1					
89502380	REMOVE EXISTING HANDHOLE	EACH	19					19					
89502385	REMOVE EXISTING CONCRETE FOUNDATION	EACH	20					20					
A2002716	TREE, CARYA OVATA (SHAGBARK HICKORY), 2" CALIPER, BALLED AND BURLAPPED	EACH	6							6			
A2002916	TREE, CELTIS OCCIDENTALIS (COMMON HACKBERRY), 2" CALIPER, BALLED AND BURLAPPED	EACH	4							4			
A2004816	TREE, GLEDITSIA TRIACANTHOS INERMIS SKYLINE (SKYLINE THORNLESS COMMON HONEYLOCUST), 2" CALIPER, BALLED AND BURLAPPED	EACH	8							8			
A2005016	TREE, GYMNOCLADUS DIOICUS (KENTUCKY COFFEETREE), 2" CALIPER, BALLED AND BURLAPPED	EACH	6							6			
A2006416	TREE, QUERCUS ALBA (WHITE OAK), 2" CALIPER, BALLED AND BURLAPPED	EACH	5							5			
A2006516	TREE, QUERCUS BICOLOR (SWAMP WHITE OAK), 2" CALIPER, BALLED AND BURLAPPED	EACH	11							11			
A2006716	TREE, QUERCUS MACROCARPA (BUR OAK), 2" CALIPER, BALLED AND BURLAPPED	EACH	6							6			

• SPECIALTY ITEM

FILE NAME =	DESIGNED - AAF	REVISED -
...General\DI63598-sht-soq-15.dgn	DRAWN - TMB	REVISED -
USER NAME = toddblank	CHECKED - JMM	REVISED -
PLOT DATE = 1/18/2013	DATE - 01/18/2013	REVISED -



**STATE OF ILLINOIS
DIVISION OF TRANSPORTATION**

SUMMARY OF QUANTITIES			
SCALE: NTS	SHEET NO. 15 OF 21 SHEETS	STA.	TO STA.

F.A.P. RTE.	SECTION	COUNTY	TOTAL SHEETS	SHEET NO.
361	06-00214-18-RP	KANE	451	19
CONTRACT NO. 63598			ILLINOIS FED. AID PROJECT	

SUMMARY OF QUANTITIES

CODE NO.	ITEM	UNIT	TOTAL QUANTITY	CONSTRUCTION CODE									
				HPP FUNDS									
				80% FED 15.5% STATE 4.5% LOCAL	80% FED 15.5% STATE 4.5% LOCAL	80% FED 15.5% STATE 4.5% LOCAL	80% FED 15.5% STATE 4.5% LOCAL	80% FED 15.5% STATE 4.5% LOCAL	80% FED 15.5% STATE 4.5% LOCAL	80% FED 15.5% STATE 4.5% LOCAL	100% LOCAL		
				ROADWAY 0003 URBAN	BRIDGE 0008 URBAN	BRIDGE 0011 URBAN	ENVIRONMENTAL 0020 URBAN	SAFETY 0021 URBAN	LANDSCAPING 0031 URBAN	SPECIAL BRIDGE 0040 URBAN	ROADWAY 0003 URBAN		
A2007116	TREE, QUERCUS RUBRA (RED OAK), 2" CALIPER, BALLED AND BURLAPPED	EACH	3							3			
A2007816	TREE, TILIA AMERICANA (AMERICAN LINDEN/BASSWOOD), 2" CALIPER, BALLED AND BURLAPPED	EACH	5							5			
A2016616	TREE, QUERCUS ELLIPSOIDALIS (HILL'S OAK), 2" CALIPER, BALLED AND BURLAPPED	EACH	6							6			
B2001164	TREE, CERCIS CANADENSIS (EASTERN REDBUD), 5' HEIGHT, CLUMP FORM, BALLED AND BURLAPPED	EACH	1							1			
B2001666	TREE, CRATAEGUS CRUSGALLI INERMIS (THORNLESS COCKSPUR HAWTHORN), 6' HEIGHT, SHRUB FORM, BALLED AND BURLAPPED	EACH	3							3			
B2005466	TREE, PRUNUS VIRGINIANA SCHUBERT (SCHUBERT CHOKEBERRY), 6' HEIGHT, CLUMP FORM, BALLED AND BURLAPPED	EACH	1							1			
X0321865	ANTI-GRAFFITI PROTECTION SYSTEM	SO FT	1405								1405		
X0322916	PROPOSED STORM SEWER CONNECTION TO EXISTING STORM SEWER	EACH	22	22									
X0322917	PROPOSED STORM SEWER CONNECTION TO EXISTING MANHOLE	EACH	24	24									
X0322918	PROPOSED MANHOLE/CATCH BASIN CONNECTION OVER EXISTING STORM SEWER	EACH	7	7									
X0322936	REMOVE EXISTING FLARED END SECTION	EACH	6	6									
X0324045	SEDIMENT CONTROL, STABILIZED CONSTRUCTION ENTRANCE REMOVAL	EACH	17				17						
* X0324085	EMERGENCY VEHICLE PRIORITY SYSTEM LINE SENSOR CABLE, NO. 20 3/C	FOOT	1362					1362					
X0324775	SEDIMENT CONTROL, STABILIZED CONSTRUCTION ENTRANCE MAINTENANCE	SO YD	4896				4896						

* SPECIALTY ITEM

FILE NAME =	DESIGNED - AAF	REVISED -
...General\0163598-shr-soq-16.dgn	DRAWN - TMB	REVISED -
USER NAME = toddblenk	CHECKED - JMM	REVISED -
PLOT DATE = 1/18/2013	DATE - 01/18/2013	REVISED -



**STATE OF ILLINOIS
DIVISION OF TRANSPORTATION**

SUMMARY OF QUANTITIES

SCALE: NTS SHEET NO. 16 OF 21 SHEETS STA. TO STA.

F.A.P. RTE.	SECTION	COUNTY	TOTAL SHEETS	SHEET NO.
361	06-00214-18-RP	KANE	451	20
CONTRACT NO. 63598			ILLINOIS FED. AID PROJECT	

SUMMARY OF QUANTITIES

CODE NO.	ITEM	UNIT	TOTAL QUANTITY	CONSTRUCTION CODE									
				HPP FUNDS									
				80% FED 15.5% STATE 4.5% LOCAL	80% FED 15.5% STATE 4.5% LOCAL	80% FED 15.5% STATE 4.5% LOCAL	80% FED 15.5% STATE 4.5% LOCAL	80% FED 15.5% STATE 4.5% LOCAL	80% FED 15.5% STATE 4.5% LOCAL	80% FED 15.5% STATE 4.5% LOCAL	100% LOCAL		
				ROADWAY 0003 URBAN	BRIDGE 0008 URBAN	BRIDGE 0011 URBAN	ENVIRONMENTAL 0020 URBAN	SAFETY 0021 URBAN	LANDSCAPING 0031 URBAN	SPECIAL BRIDGE 0040 URBAN	ROADWAY 0003 URBAN		
X0326401	BARRIER WALL REMOVAL	FOOT	115	115									
X0326694	PLUG EXISTING STORM SEWERS	CU YD	0.3	0.3									
X0327036	BIKE PATH REMOVAL	SO YD	1685	1685									
X2070304	POROUS GRANULAR EMBANKMENT, SPECIAL	CU YD	177		177								
X4021000	TEMPORARY ACCESS (PRIVATE ENTRANCE)	EACH	2	2									
X4022000	TEMPORARY ACCESS (COMMERCIAL ENTRANCE)	EACH	6	6									
X4023000	TEMPORARY ACCESS (ROAD)	EACH	2	2									
X4024100	TEMPORARY ACCESS (WINTERIZE)	SO YD	396	396									
X5020200	STRUCTURE EXCAVATION (SPECIAL)	CU YD	1019		1019								
X5030225	CONCRETE STRUCTURES (SPECIAL)	CU YD	388.2		388.2								
X5120005	DRIVING PILES (SPECIAL)	FOOT	5705		5705								
X5121800	PERMANENT STEEL SHEET PILING	SO FT	4670								4670		
X5510100	STORM SEWER REMOVAL	FOOT	1484	1484									
X5537800	STORM SEWERS TO BE CLEANED 12"	FOOT	279	279									

• SPECIALTY ITEM

FILE NAME =	DESIGNED - AAF	REVISED -
...General\10163598-sht-soq-17.dgn	DRAWN - TMB	REVISED -
USER NAME = toddblank	CHECKED - JMM	REVISED -
PLOT DATE = 1/18/2013	DATE - 01/18/2013	REVISED -



**STATE OF ILLINOIS
DIVISION OF TRANSPORTATION**

SUMMARY OF QUANTITIES

SCALE: NTS SHEET NO. 17 OF 21 SHEETS STA. TO STA.

F.A.P. RTE.	SECTION	COUNTY	TOTAL SHEETS	SHEET NO.
361	06-00214-18-RP	KANE	451	21
CONTRACT NO. 63598				
ILLINOIS FED. AID PROJECT				

SUMMARY OF QUANTITIES

CONSTRUCTION CODE									
HPP FUNDS									
80% FED 15.5% STATE 4.5% LOCAL	80% FED 15.5% STATE 4.5% LOCAL	80% FED 15.5% STATE 4.5% LOCAL	80% FED 15.5% STATE 4.5% LOCAL	80% FED 15.5% STATE 4.5% LOCAL	80% FED 15.5% STATE 4.5% LOCAL	80% FED 15.5% STATE 4.5% LOCAL	80% FED 15.5% STATE 4.5% LOCAL	80% FED 15.5% STATE 4.5% LOCAL	100% LOCAL
ROADWAY 0003	BRIDGE 0008	BRIDGE 0011	ENVIRONMENTAL 0020	SAFETY 0021	LANDSCAPING 0031	SPECIAL BRIDGE 0040	ROADWAY 0003		
URBAN	URBAN	URBAN	URBAN	URBAN	URBAN	URBAN	URBAN		

CODE NO.	ITEM	UNIT	TOTAL QUANTITY	80% FED 15.5% STATE 4.5% LOCAL	80% FED 15.5% STATE 4.5% LOCAL	80% FED 15.5% STATE 4.5% LOCAL	80% FED 15.5% STATE 4.5% LOCAL	80% FED 15.5% STATE 4.5% LOCAL	80% FED 15.5% STATE 4.5% LOCAL	80% FED 15.5% STATE 4.5% LOCAL	100% LOCAL
				ROADWAY 0003	BRIDGE 0008	BRIDGE 0011	ENVIRONMENTAL 0020	SAFETY 0021	LANDSCAPING 0031	SPECIAL BRIDGE 0040	ROADWAY 0003
				URBAN	URBAN	URBAN	URBAN	URBAN	URBAN	URBAN	URBAN
X5538000	STORM SEWERS TO BE CLEANED 18"	FOOT	370	370							
X5538100	STORM SEWERS TO BE CLEANED 21"	FOOT	197	197							
X5538200	STORM SEWERS TO BE CLEANED 24"	FOOT	73	73							
X5538600	STORM SEWERS TO BE CLEANED 36"	FOOT	218	218							
X5538700	STORM SEWERS TO BE CLEANED 42"	FOOT	431	431							
X6012005	PIPE DRAINS 12" (SPECIAL)	FOOT	68	68							
X6013600	PIPE UNDERDRAINS 4" (MODIFIED)	FOOT	90			90					
X6061100	CONCRETE MEDIAN, TYPE SB (SPECIAL)	SQ FT	5206	5206							
X7010216	TRAFFIC CONTROL AND PROTECTION, (SPECIAL)	LSUM	1	1							
X7240311	RELOCATE EXISTING SIGN PANEL (SPECIAL)	EACH	6					6			
X8570226	FULL-ACTUATED CONTROLLER AND TYPE IV CABINET, SPECIAL	EACH	2					2			
X8620200	UNINTERRUPTABLE POWER SUPPLY, SPECIAL	EACH	2					2			
X8710031	FIBER OPTIC CABLE 36 FIBERS, SINGLE MODE	FOOT	4380					4380			
XX000366	CLAY LINER	CU FT	6238				6238				
XX005968	TURBIDITY CURTAIN	SQ YD	100				100				

* SPECIALTY ITEM

FILE NAME *	DESIGNED - AAF	REVISED - ADDENDUM [▲] 04/15/2013
...General\0163598-shr-soq-18.dgn	DRAWN - TMB	REVISED -
USER NAME = toddblank	CHECKED - JMM	REVISED -
PLOT DATE = 4/15/2013	DATE - 01/18/2013	REVISED -



**STATE OF ILLINOIS
DIVISION OF TRANSPORTATION**

SUMMARY OF QUANTITIES			
SCALE: NTS	SHEET NO. 18 OF 21 SHEETS	STA. TO STA.	

F.A.P. RTE. 361	SECTION 06-00214-18-RP	COUNTY KANE	TOTAL SHEETS 451	SHEET NO. 22
CONTRACT NO. 63598				ILLINOIS FED. AID PROJECT

SUMMARY OF QUANTITIES

CODE NO.	ITEM	UNIT	TOTAL QUANTITY	CONSTRUCTION CODE								
				HPP FUNDS								
				80% FED 15.5% STATE 4.5% LOCAL	80% FED 15.5% STATE 4.5% LOCAL	80% FED 15.5% STATE 4.5% LOCAL	80% FED 15.5% STATE 4.5% LOCAL	80% FED 15.5% STATE 4.5% LOCAL	80% FED 15.5% STATE 4.5% LOCAL	80% FED 15.5% STATE 4.5% LOCAL	100% LOCAL	
				ROADWAY 0003 URBAN	BRIDGE 0008 URBAN	BRIDGE 0011 URBAN	ENVIRONMENTAL 0020 URBAN	SAFETY 0021 URBAN	LANDSCAPING 0031 URBAN	SPECIAL BRIDGE 0040 URBAN	ROADWAY 0003 URBAN	
• XX006701	SEEDING, CLASS 4 (MODIFIED) MESIC PRAIRIE	ACRE	2.5							2.50		
• XX006709	SEEDING, CLASS 5 (MODIFIED) MESIC PRAIRIE	ACRE	2.5							2.50		
	XX006821	CONCRETE TRUCK WASHOUT	LSUM	1	1							
* XX006847	VINYL FENCE, 4'	FOOT	774			774						
	XX008003	FORM LINER TEXTURED SURFACE, SPECIAL	SO FT	1405							1405	
	XX008386	PRECAST CONCRETE BOX SEGMENTS	LSUM	1		1						
	XX008626	TEMPORARY BRIDGE	LSUM	1		1						
* Z0002300	BALLAST	CU YD	40			40						
	Z0013796	SEDIMENT CONTROL, STABILIZED CONSTRUCTION ENTRANCE	SO YD	4896			4896					
	Z0013798	CONSTRUCTION LAYOUT	LSUM	1	1							
	Z0018500	DRAINAGE STRUCTURES TO BE CLEANED	EACH	24	24							
	Z0018905	DRILL AND GROUT BARS	EACH	96		96						
	Z0019600	DUST CONTROL WATERING	UNIT	300			300					
	Z0022800	FENCE REMOVAL	FOOT	119	119							

• SPECIALTY ITEM

FILE NAME =	DESIGNED - AAF	REVISED -
...General\ND163598-sht-soq-19.dgn	DRAWN - TMB	REVISED -
USER NAME = toddblank	CHECKED - JMM	REVISED -
PLOT DATE = 1/18/2013	DATE - 01/18/2013	REVISED -



**STATE OF ILLINOIS
DIVISION OF TRANSPORTATION**

SUMMARY OF QUANTITIES

SCALE: NTS SHEET NO. 19 OF 21 SHEETS STA. TO STA.

F.A.P. RTE.	SECTION	COUNTY	TOTAL SHEETS	SHEET NO.
361	06-00214-18-RP	KANE	451	23
CONTRACT NO. 63598				
ILLINOIS FED. AID PROJECT				

SUMMARY OF QUANTITIES

CODE NO.	ITEM	UNIT	TOTAL QUANTITY	CONSTRUCTION CODE									
				HPP FUNDS									
				80% FED 15.5% STATE 4.5% LOCAL	80% FED 15.5% STATE 4.5% LOCAL	80% FED 15.5% STATE 4.5% LOCAL	80% FED 15.5% STATE 4.5% LOCAL	80% FED 15.5% STATE 4.5% LOCAL	80% FED 15.5% STATE 4.5% LOCAL	80% FED 15.5% STATE 4.5% LOCAL	100% LOCAL		
				ROADWAY 0003 URBAN	BRIDGE 0008 URBAN	BRIDGE 0011 URBAN	ENVIRONMENTAL 0020 URBAN	SAFETY 0021 URBAN	LANDSCAPING 0031 URBAN	SPECIAL BRIDGE 0040 URBAN	ROADWAY 0003 URBAN		
Z0023202	SEDIMENT CONTROL, DRAINAGE STRUCTURE INLET FILTER CLEANING	EACH	113				113						
* Z0028450	GEOTEXTILE FABRIC FOR RAILROAD CROSSING	SO YD	476	476									
Z0030850	TEMPORARY INFORMATION SIGNING	SO FT	226	226									
* Z0033056	OPTIMIZE TRAFFIC SIGNAL SYSTEM	EACH	1					1					
* Z0033058	POST MOUNTED FLASHING BEACON INSTALLATION (SPECIAL)	EACH	4					4					
Z0046304	PIPE UNDERDRAINS FOR STRUCTURES 4"	FOOT	130		130								
Z0048665	RAILROAD PROTECTIVE LIABILITY INSURANCE	LSUM	1	1									
Z0056622	STORM SEWER (WATER MAIN REQUIREMENTS) 36 INCH	FOOT	326	326									
Z0062456	TEMPORARY PAVEMENT	SO YD	3111	3111									
Z0062458	TEMPORARY PAVEMENT (VARIABLE DEPTH)	TON	29	29									
* Z0069700	SUB-BALLAST	CU YD	1167	1167									
Z0073002	TEMPORARY SOIL RETENTION SYSTEM	SO FT	9451	9451									
Z0073346	SLEEPER SLAB	SO YD	62	62									
Z0073500	TEMPORARY SUPPORT SYSTEM	LSUM	1			1							

* SPECIALTY ITEM

FILE NAME =	DESIGNED - AAF	REVISED -
...General\DI63598-shr-soq-28.dgn	DRAWN - TMB	REVISED -
USER NAME = toddblank	CHECKED - JMM	REVISED -
PLOT DATE = 1/18/2013	DATE - 01/18/2013	REVISED -



**STATE OF ILLINOIS
DIVISION OF TRANSPORTATION**

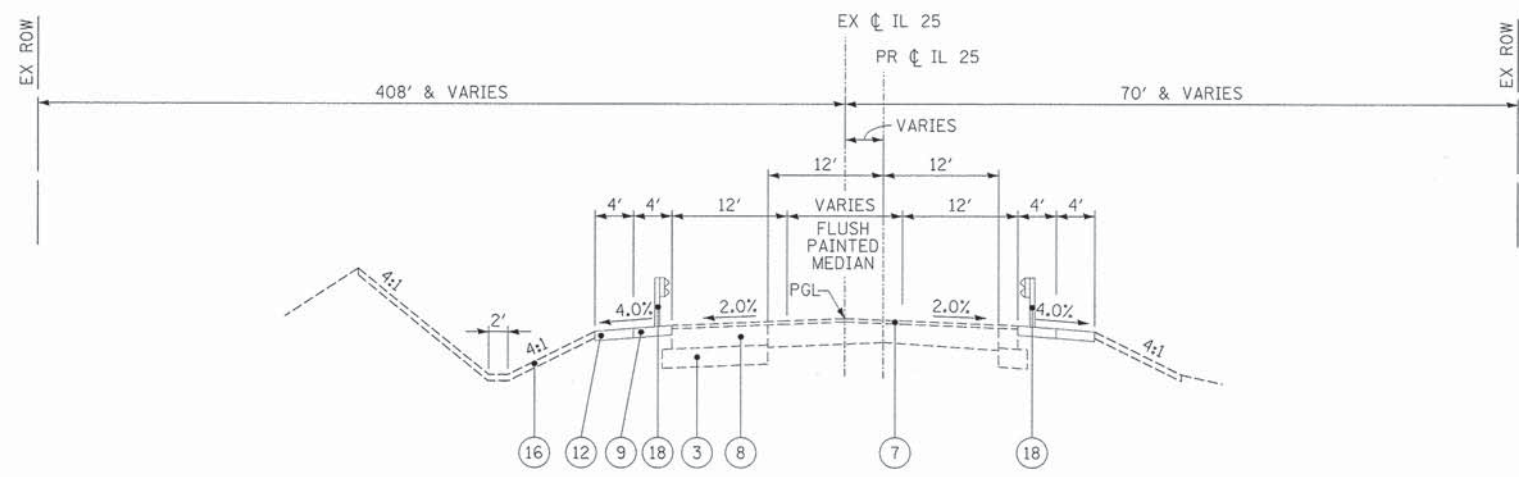
SUMMARY OF QUANTITIES

SCALE: NTS SHEET NO. 20 OF 21 SHEETS STA. TO STA.

F.A.P. RTE.	SECTION	COUNTY	TOTAL SHEETS	SHEET NO.
361	06-00214-18-RP	KANE	451	24
ILLINOIS FED. AID PROJECT			CONTRACT NO. 63598	

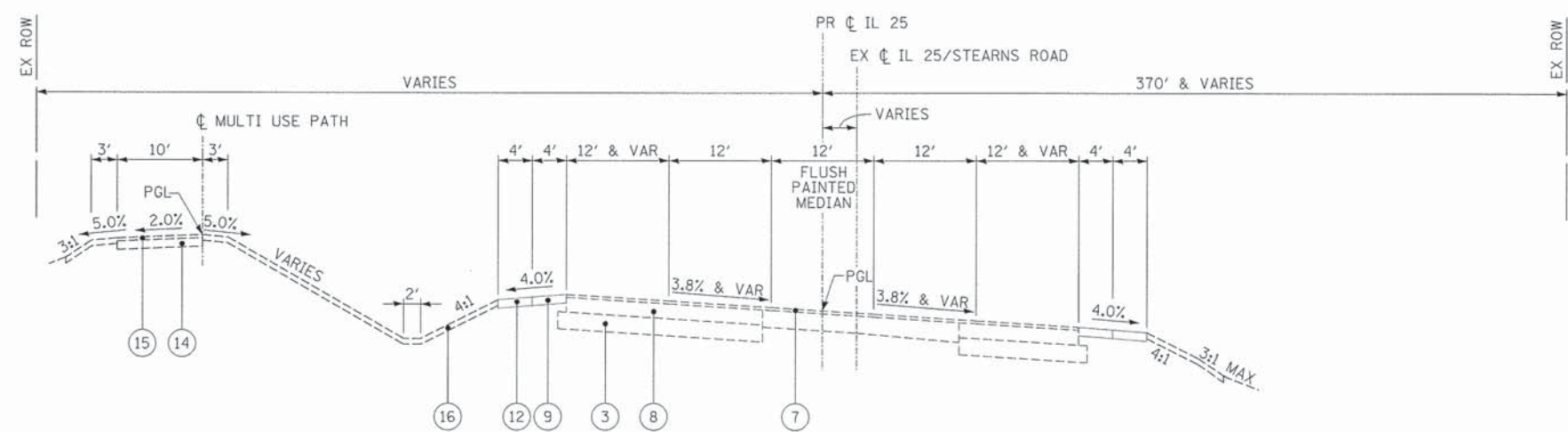
LEGEND

- ① PORTLAND CEMENT CONCRETE PAVEMENT 10" (JOINTED)
- ② STABILIZED SUBBASE, HOT-MIX ASPHALT, 4 1/2"
- ③ AGGREGATE SUBGRADE, 12"
- ④ PORTLAND CEMENT CONCRETE PAVEMENT 9"
- ⑤ COMBINATION CONCRETE CURB & GUTTER, TYPE B-6.24
- ⑥ CONCRETE MEDIAN, TYPE SB (SPEC)
- ⑦ POLYMERIZED HOT-MIX ASPHALT SURFACE COURSE, MIX "F", N90 (IL 9.5mm), 2"
- ⑧ HOT-MIX ASPHALT BINDER IL-19.0, N70, 10 1/2"
- ⑨ HOT-MIX ASPHALT SHOULDERS, 6"
- ⑩ HOT-MIX ASPHALT SHOULDERS, 8"
- ⑪ BICYCLE RAILING
- ⑫ AGGREGATE SHOULDERS, TYPE B, 6" OR 8"
- ⑬ HOT-MIX ASPHALT SURFACE, MIX "D", N50, 1 1/2"
- ⑭ AGGREGATE BASE COURSE, TYPE B, 6"
- ⑮ HOT-MIX ASPHALT SURFACE, MIX "C", N50, 2"
- ⑯ TOPSOIL EXCAVATION AND PLACEMENT
- ⑰ CLAY LINER, 8"
- ⑱ STEEL PLATE BEAM GUARD RAIL, TYPE A



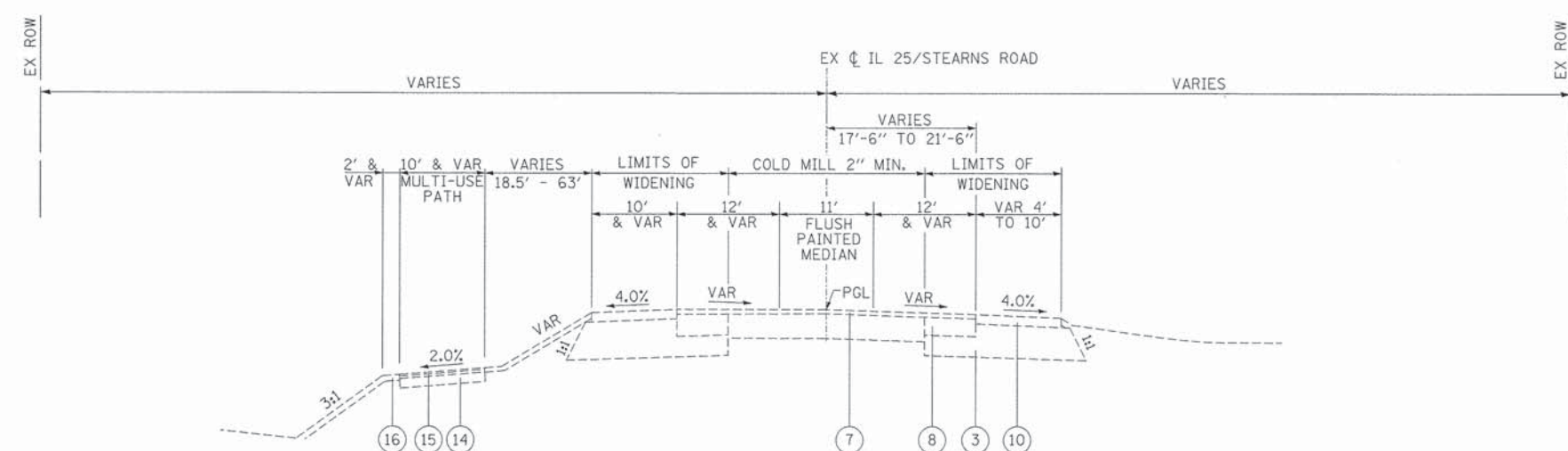
EXISTING TYPICAL SECTION NO 1

STA 102+52.19 TO STA 106+49.59, IL 25



EXISTING TYPICAL SECTION NO 2

STA 106+49.59 TO STA 116+45.57, IL 25/STEARNS ROAD



EXISTING TYPICAL SECTION NO 3

STA 116+45.57 TO STA 124+03.13, IL 25/STEARNS ROAD

FILE NAME =	DESIGNED - AAF	REVISED -
...\\0163598-sht-ex-tyb-01.dgn	DRAWN - TMB	REVISED -
USER NAME = tblank	CHECKED - JMM	REVISED -
PLOT DATE = 1/17/2013	DATE - 01/18/2013	REVISED -



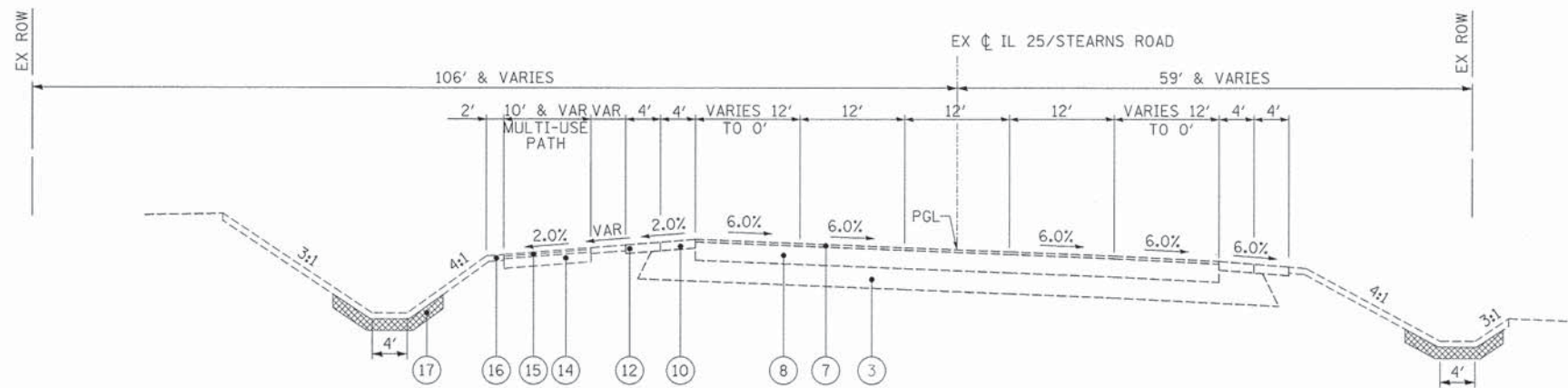
STATE OF ILLINOIS
DIVISION OF TRANSPORTATION

EXISTING TYPICAL SECTIONS
IL 25 & IL 25/STEARNS RD

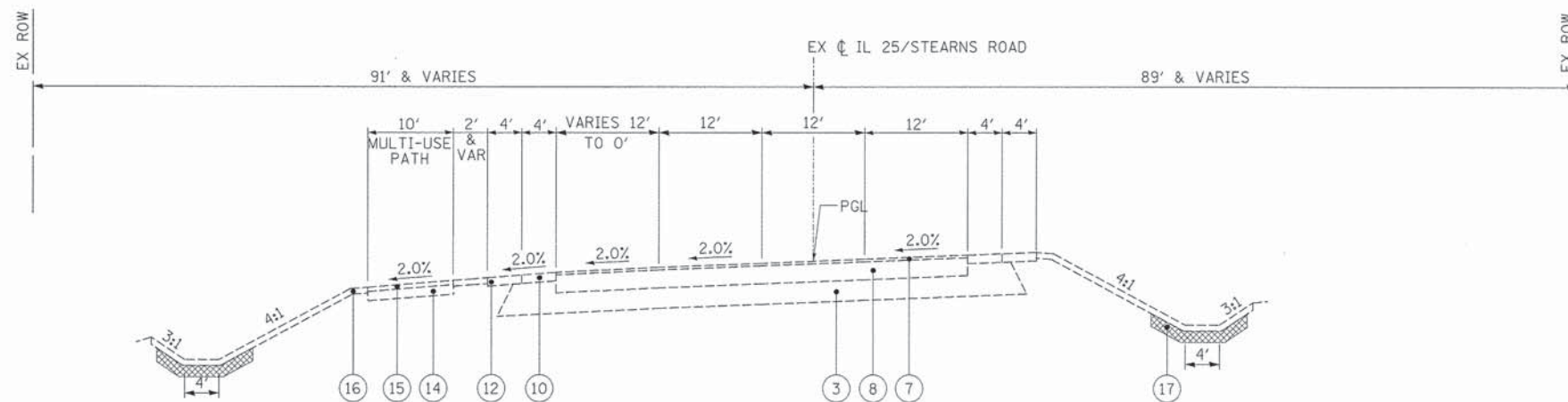
SCALE: NTS SHEET NO. 1 OF 9 SHEETS STA. TO STA.

F.A.P. RTE.	SECTION	COUNTY	TOTAL SHEETS	SHEET NO.
361	06-00214-18-RP	KANE	451	26
CONTRACT NO. 63598				

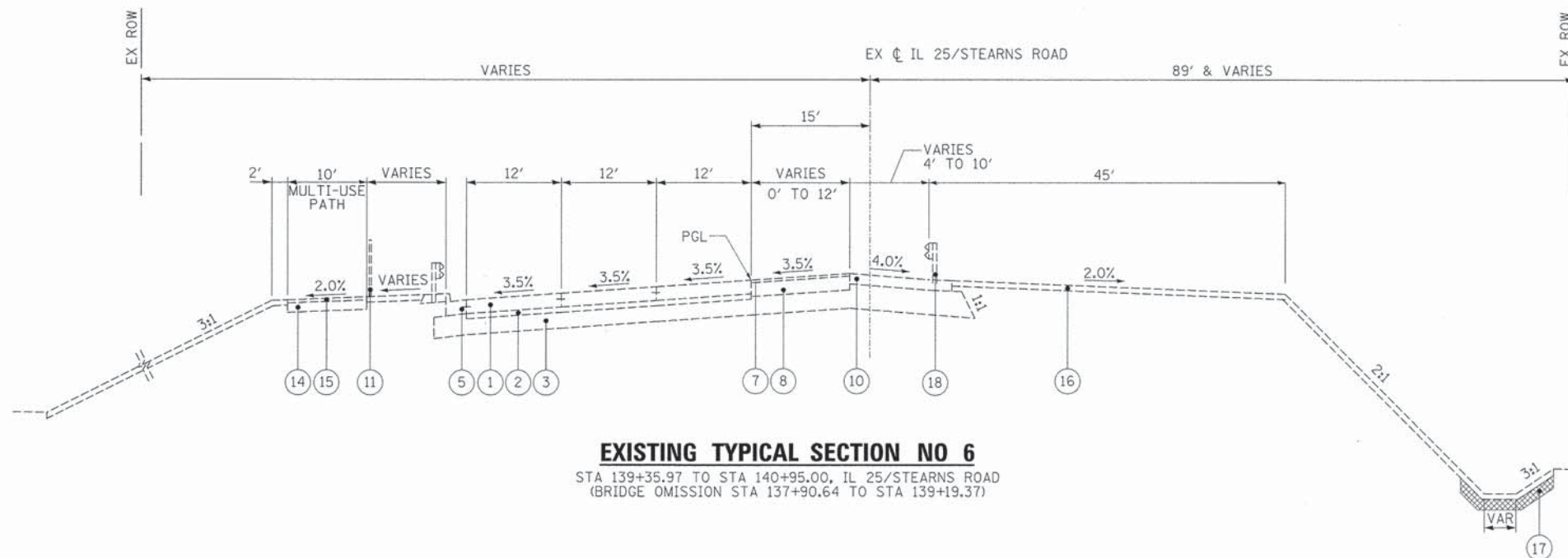
ILLINOIS FED. AID PROJECT



EXISTING TYPICAL SECTION NO 4
STA 124+03.13 TO STA 132+85.31, IL 25/STEARNS ROAD



EXISTING TYPICAL SECTION NO 5
STA 132+85.31 TO STA 138+18.49, IL 25/STEARNS ROAD



EXISTING TYPICAL SECTION NO 6
STA 139+35.97 TO STA 140+95.00, IL 25/STEARNS ROAD
(BRIDGE OMISSION STA 137+90.64 TO STA 139+19.37)

LEGEND

- ① PORTLAND CEMENT CONCRETE PAVEMENT 10" (JOINTED)
- ② STABILIZED SUBBASE, HOT-MIX ASPHALT, 4 1/2"
- ③ AGGREGATE SUBGRADE, 12"
- ④ PORTLAND CEMENT CONCRETE PAVEMENT 9"
- ⑤ COMBINATION CONCRETE CURB & GUTTER, TYPE B-6.24
- ⑥ CONCRETE MEDIAN, TYPE SB (SPEC)
- ⑦ POLYMERIZED HOT-MIX ASPHALT SURFACE COURSE, MIX "F", N90 (IL 9.5mm), 2"
- ⑧ HOT-MIX ASPHALT BINDER IL-19.0, N70, 10 1/2"
- ⑨ HOT-MIX ASPHALT SHOULDERS, 6"
- ⑩ HOT-MIX ASPHALT SHOULDERS, 8"
- ⑪ BICYCLE RAILING
- ⑫ AGGREGATE SHOULDERS, TYPE B, 6" OR 8"
- ⑬ HOT-MIX ASPHALT SURFACE, MIX "D", N50, 1 1/2"
- ⑭ AGGREGATE BASE COURSE, TYPE B, 6"
- ⑮ HOT-MIX ASPHALT SURFACE, MIX "C", N50, 2"
- ⑯ TOPSOIL EXCAVATION AND PLACEMENT
- ⑰ CLAY LINER, 8"
- ⑱ STEEL PLATE BEAM GUARD RAIL, TYPE A

FILE NAME =	DESIGNED - AAF	REVISED -
... \D163598-sht-ex-tyt-02.dgn	DRAWN - TMB	REVISED -
USER NAME = tblank	CHECKED - JMM	REVISED -
PLOT DATE = 1/17/2013	DATE - 01/18/2013	REVISED -

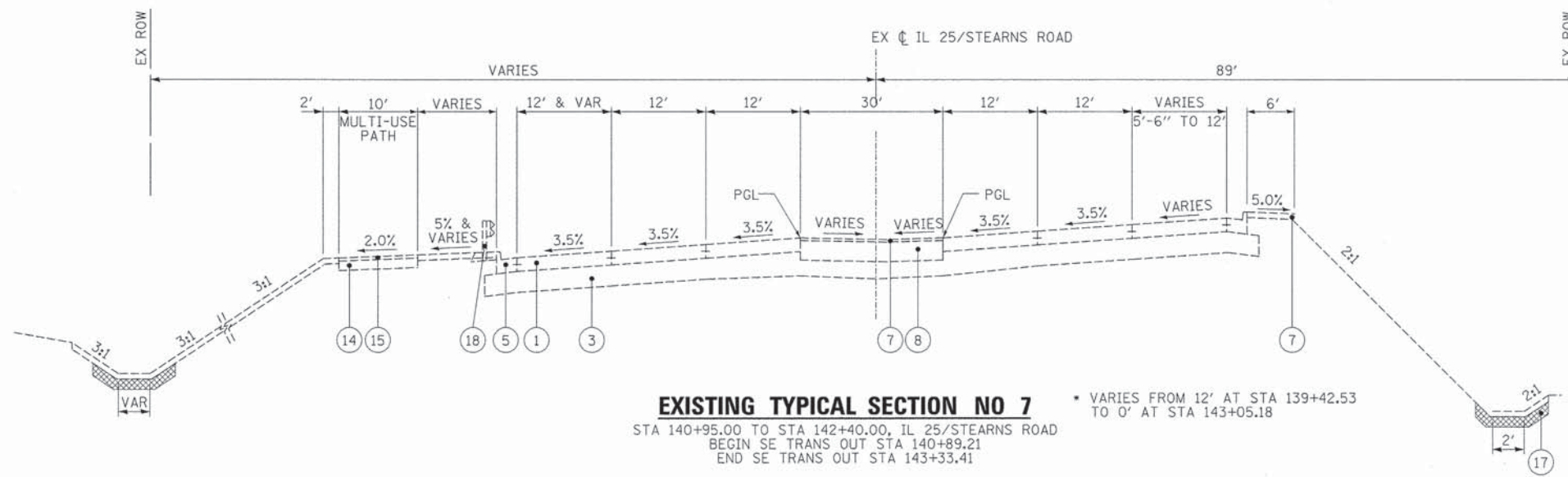


STATE OF ILLINOIS
DIVISION OF TRANSPORTATION

EXISTING TYPICAL SECTIONS
IL 25/STEARNS RD

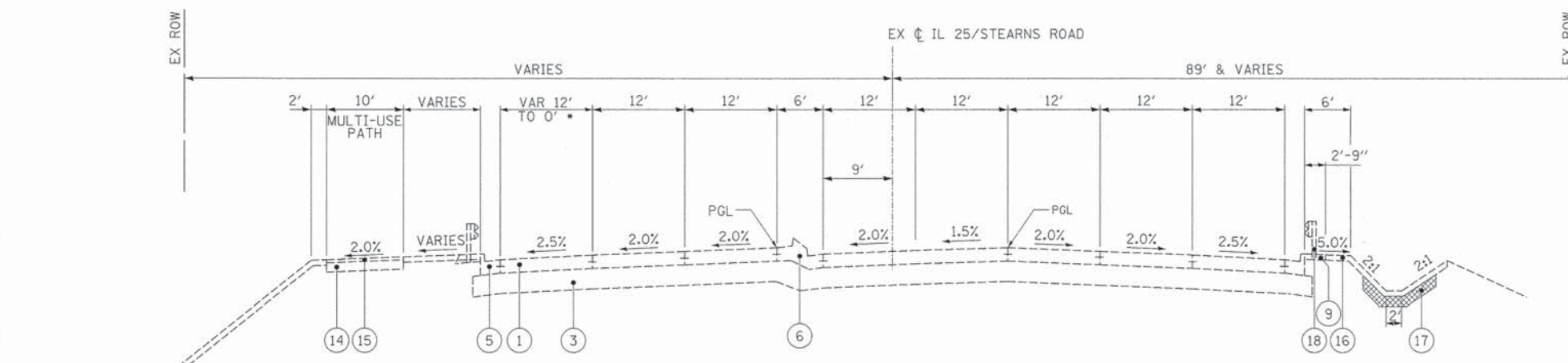
SCALE: NTS SHEET NO. 2 OF 9 SHEETS STA. TO STA.

F.A.P. RTE.	SECTION	COUNTY	TOTAL SHEETS	SHEET NO.
361	06-00214-18-RP	KANE	451	27
CONTRACT NO. 63598				
ILLINOIS FED. AID PROJECT				

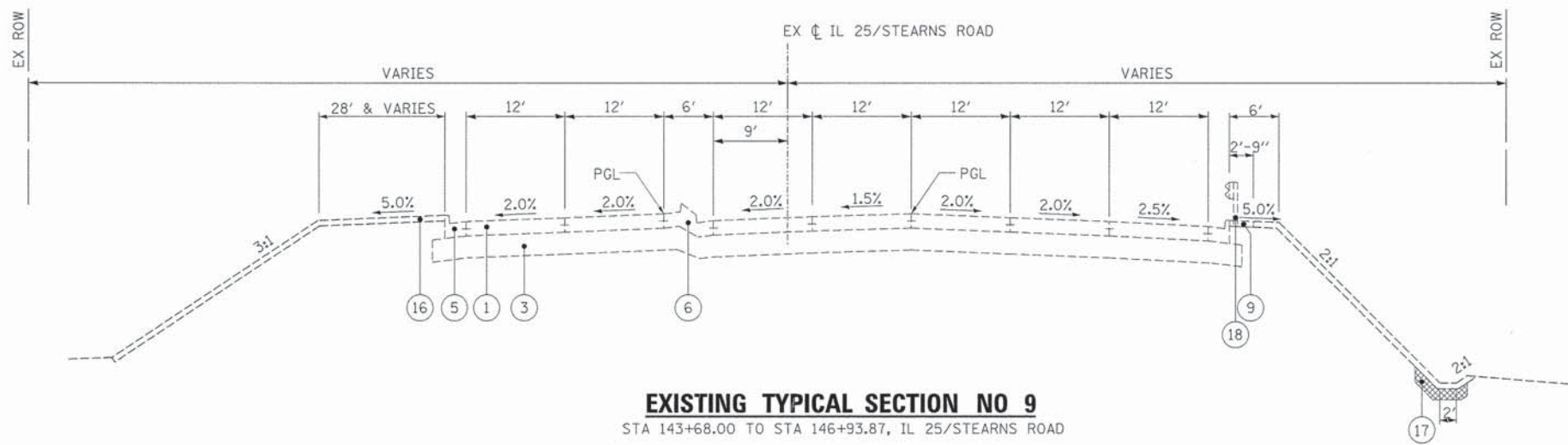


EXISTING TYPICAL SECTION NO 7
 STA 140+95.00 TO STA 142+40.00, IL 25/STEARNS ROAD
 BEGIN SE TRANS OUT STA 140+89.21
 END SE TRANS OUT STA 143+33.41
 * VARIES FROM 12' AT STA 139+42.53 TO 0' AT STA 143+05.18

- LEGEND**
- ① PORTLAND CEMENT CONCRETE PAVEMENT 10" (JOINTED)
 - ② STABILIZED SUBBASE, HOT-MIX ASPHALT, 4 1/2"
 - ③ AGGREGATE SUBGRADE, 12"
 - ④ PORTLAND CEMENT CONCRETE PAVEMENT 9"
 - ⑤ COMBINATION CONCRETE CURB & GUTTER, TYPE B-6.24
 - ⑥ CONCRETE MEDIAN, TYPE SB (SPEC)
 - ⑦ POLYMERIZED HOT-MIX ASPHALT SURFACE COURSE, MIX "F", N90 (IL 9.5mm), 2"
 - ⑧ HOT-MIX ASPHALT BINDER IL-19.0, N70, 10 1/2"
 - ⑨ HOT-MIX ASPHALT SHOULDERS, 6"
 - ⑩ HOT-MIX ASPHALT SHOULDERS, 8"
 - ⑪ BICYCLE RAILING
 - ⑫ AGGREGATE SHOULDERS, TYPE B, 6" OR 8"
 - ⑬ HOT-MIX ASPHALT SURFACE, MIX "D", N50, 1 1/2"
 - ⑭ AGGREGATE BASE COURSE, TYPE B, 6"
 - ⑮ HOT-MIX ASPHALT SURFACE, MIX "C", N50, 2"
 - ⑯ TOPSOIL EXCAVATION AND PLACEMENT
 - ⑰ CLAY LINER, 8"
 - ⑱ STEEL PLATE BEAM GUARD RAIL, TYPE A



EXISTING TYPICAL SECTION NO 8
 STA 142+40.00 TO STA 143+68.00, IL 25/STEARNS ROAD
 * VARIES FROM 12' AT STA 139+42.53 TO 0' AT STA 143+05.18



EXISTING TYPICAL SECTION NO 9
 STA 143+68.00 TO STA 146+93.87, IL 25/STEARNS ROAD

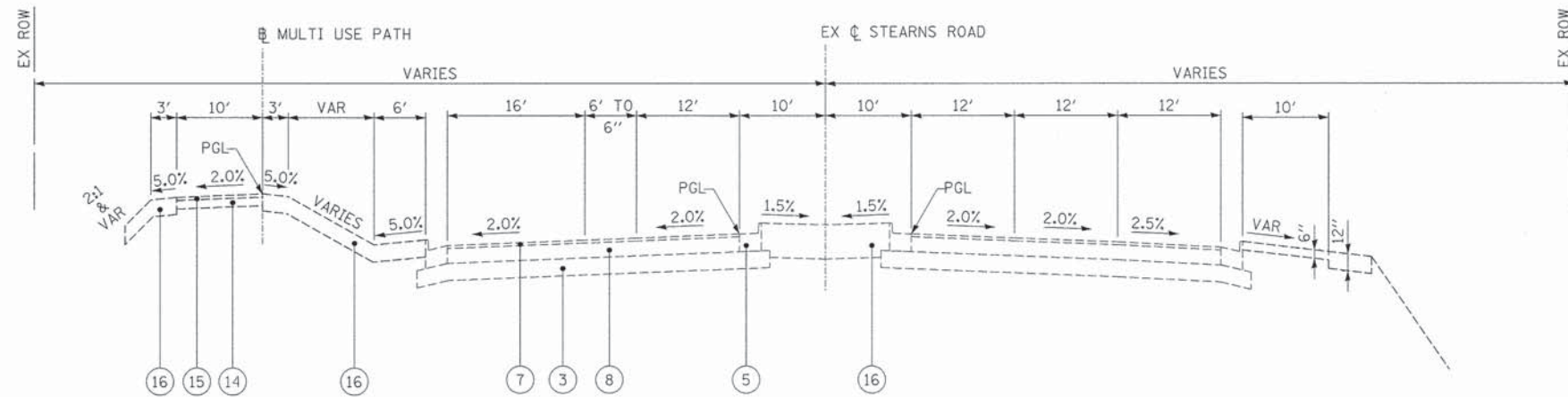
FILE NAME =	DESIGNED - AAF	REVISED -
... \0163598-sht-ex-tyr-03.dgn	DRAWN - TMB	REVISED -
USER NAME = tblank	CHECKED - JMM	REVISED -
PLOT DATE = 1/17/2013	DATE - 01/18/2013	REVISED -



STATE OF ILLINOIS
 DIVISION OF TRANSPORTATION

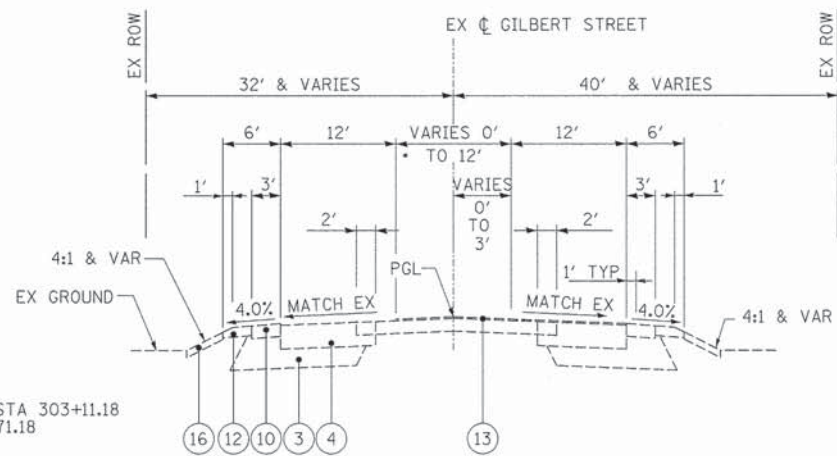
EXISTING TYPICAL SECTIONS IL 25/STEARNS RD	
SCALE: NTS	SHEET NO. 3 OF 9 SHEETS
STA.	TO STA.

F.A.P. RTE.	SECTION	COUNTY	TOTAL SHEETS	SHEET NO.
361	06-00214-18-RP	KANE	451	28
CONTRACT NO. 63598			ILLINOIS FED. AID PROJECT	



EXISTING TYPICAL SECTION NO 10
 STA 605+95.78 TO STA 608+84.79, STEARNS ROAD

- LEGEND**
- ① PORTLAND CEMENT CONCRETE PAVEMENT 10" (JOINTED)
 - ② STABILIZED SUBBASE, HOT-MIX ASPHALT, 4 1/2"
 - ③ AGGREGATE SUBGRADE, 12"
 - ④ PORTLAND CEMENT CONCRETE PAVEMENT 9"
 - ⑤ COMBINATION CONCRETE CURB & GUTTER, TYPE B-6.24
 - ⑥ CONCRETE MEDIAN, TYPE SB (SPEC)
 - ⑦ POLYMERIZED HOT-MIX ASPHALT SURFACE COURSE, MIX "F", N90 (IL 9.5mm), 2"
 - ⑧ HOT-MIX ASPHALT BINDER IL-19.0, N70, 10 1/2"
 - ⑨ HOT-MIX ASPHALT SHOULDERS, 6"
 - ⑩ HOT-MIX ASPHALT SHOULDERS, 8"
 - ⑪ BICYCLE RAILING
 - ⑫ AGGREGATE SHOULDERS, TYPE B, 6" OR 8"
 - ⑬ HOT-MIX ASPHALT SURFACE, MIX "D", N50, 1 1/2"
 - ⑭ AGGREGATE BASE COURSE, TYPE B, 6"
 - ⑮ HOT-MIX ASPHALT SURFACE, MIX "C", N50, 2"
 - ⑯ TOPSOIL EXCAVATION AND PLACEMENT
 - ⑰ CLAY LINER, 8"
 - ⑱ STEEL PLATE BEAM GUARD RAIL, TYPE A



• VARIES FROM 0' AT STA 303+11.18 TO 12' AT STA 306+71.18

EXISTING TYPICAL SECTION NO 11
 STA 300+02.37 TO STA 306+71.18, GILBERT STREET
 (PR STA 301+18.80 TO STA 307+80.38)

FILE NAME =	DESIGNED - AAF	REVISED -
...\\0163598-sht-ex-typ-04.dgn	DRAWN - TMB	REVISED -
USER NAME = tblank	CHECKED - JMM	REVISED -
PLOT DATE = 1/17/2013	DATE - 01/18/2013	REVISED -



STATE OF ILLINOIS
 DIVISION OF TRANSPORTATION

EXISTING TYPICAL SECTIONS		F.A.P. RTE.:	SECTION	COUNTY	TOTAL SHEETS	SHEET NO.
STEARNS RD & GILBERT ST		361	06-00214-18-RP	KANE	451	29
SCALE: NTS	SHEET NO. 4 OF 9 SHEETS	STA.	TO STA.		CONTRACT NO. 63598	
[ILLINOIS] FED. AID PROJECT						

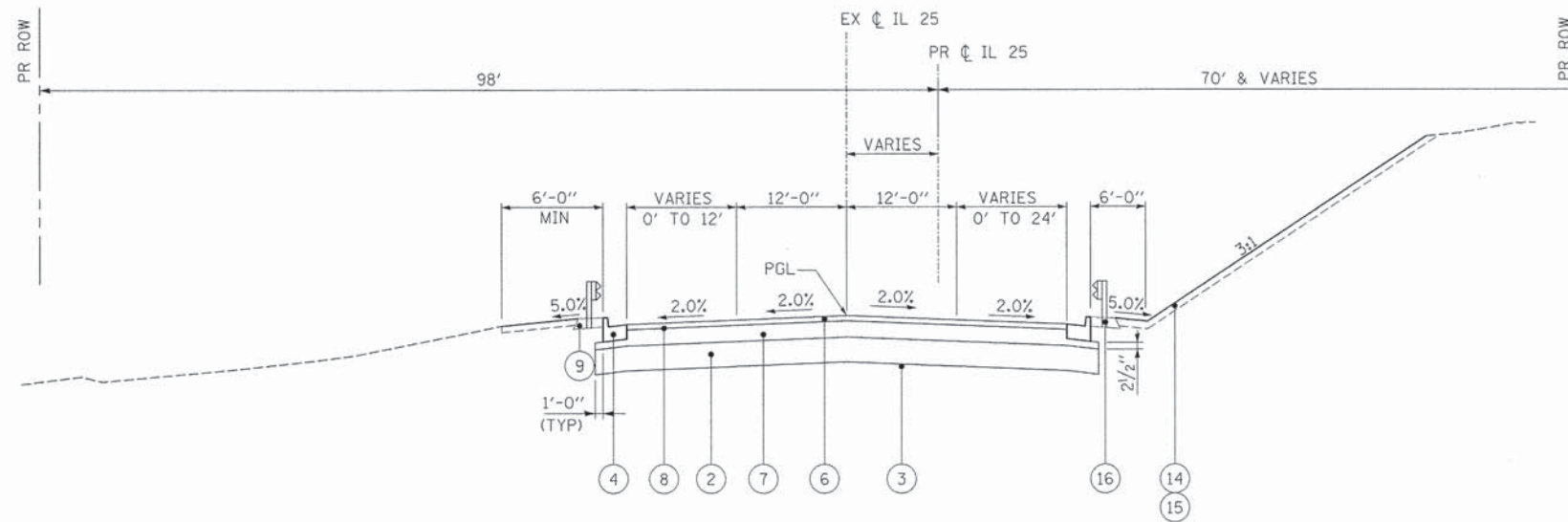
LEGEND

- ① PORTLAND CEMENT CONCRETE PAVEMENT 10" (JOINED)
(ALL REQUIRED JOINTS INCLUDED IN THE COST OF THIS PAY ITEM)
- ② AGGREGATE SUBGRADE IMPROVEMENT, 12"
- ③ GEOTECHNICAL FABRIC FOR GROUND STABILIZATION
- ④ COMBINATION CONCRETE CURB & GUTTER, TYPE B-6.24
- ⑤ CONCRETE MEDIAN, TYPE SB (SPEC)
- ⑥ POLYMERIZED HOT-MIX ASPHALT SURFACE COURSE, MIX "F", N90 (IL 9.5mm), 2"
- ⑦ POLYMERIZED HOT-MIX ASPHALT BINDER COURSE, IL-19.0, N90, 2 1/4" (TOP LIFT)
HOT-MIX ASPHALT BINDER IL-19.0, N90, 8 1/4" (3 LIFTS)
- ⑧ BITUMINOUS MATERIALS (PRIME COAT)
- ⑨ HOT-MIX ASPHALT SHOULDER, 6" (2 LIFTS)
- ⑩ HOT-MIX ASPHALT SURFACE, MIX "D", N50, 2"
- ⑪ HOT-MIX ASPHALT BINDER IL-19.0mm, N50, 9" (4 LIFTS)
- ⑫ AGGREGATE BASE COURSE, TYPE B, 6"
- ⑬ HOT-MIX ASPHALT SURFACE, MIX "D", N50, 2"
- ⑭ TOPSOIL EXCAVATION AND PLACEMENT
- ⑮ SEEDING AND EROSION CONTROL BLANKET (SEE LANDSCAPING PLANS)
- ⑯ STEEL PLATE BEAM GUARDRAIL, TYPE A, 6 FT POSTS
- ⑰ CLAY LINER, 8"

THE ADDITIONAL FABRIC REQUIRED FOR OVERLAP AREAS SHALL NOT BE PAID FOR SEPARATELY BUT SHALL BE INCLUDED IN THE COST OF GEOTECHNICAL FABRIC FOR GROUND STABILIZATION.

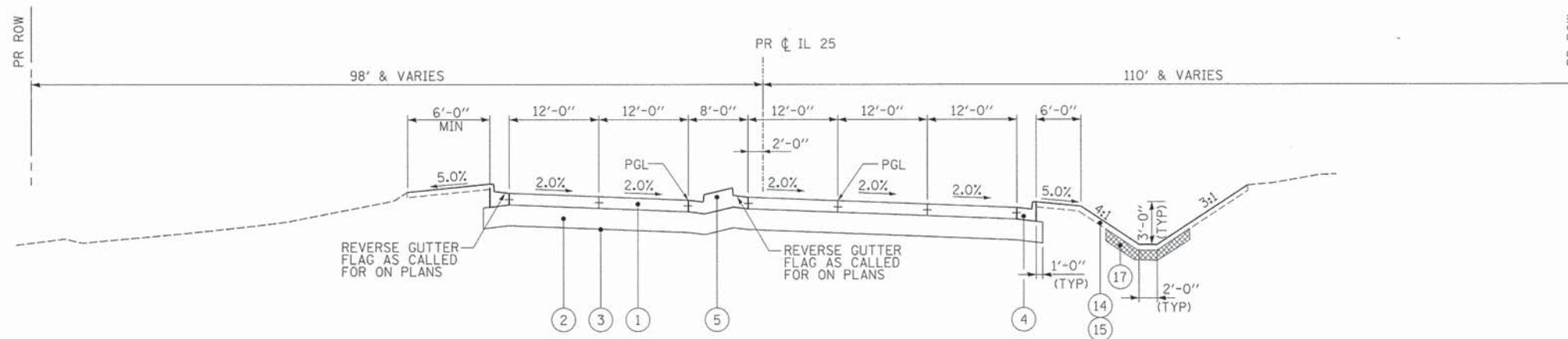
ITEMS ⑩ AND ⑪ WILL BE PAID FOR AS HOT-MIX ASPHALT PAVEMENT (FULL DEPTH) 11"

ITEM ⑥ AND ⑦ WILL BE PAID FOR AS HOT-MIX ASPHALT PAVEMENT (FULL DEPTH) 12 1/2"



PROPOSED TYPICAL SECTION NO 1

STA 102+52.19 TO STA 106+94.77, IL 25
SE TRANS IN STA 105+68.82 TO STA 107+46.42



PROPOSED TYPICAL SECTION NO 2

STA 106+94.77 TO STA 110+45.64, IL 25
SE TRANS IN STA 105+68.82 TO STA 107+46.42

STRUCTURAL DESIGN TRAFFIC:		YEAR	2020
PV =	30,960	SU =	2520
		MU =	2520
ROAD/STREET CLASSIFICATION:		CLASS	I
PERCENT OF STRUCTURAL DESIGN TRAFFIC IN DESIGN LANE:			
P =	32%	S =	45%
		M =	45%
TRAFFIC DATA:		ACTUAL TF =	19.09
		MINIMUM TF =	6.03
SUBGRADE SUPPORT RATING:		SSR =	POOR

NOTE

SEE SHEET 2 FOR HMA MIXTURE REQUIREMENTS

FILE NAME =	DESIGNED - AAF	REVISED -
...\\D163598-sht-pr-typ-01.dgn	DRAWN - TMB	REVISED -
USER NAME = tblank	CHECKED - JMM	REVISED -
PLOT DATE = 1/17/2013	DATE - 01/18/2013	REVISED -

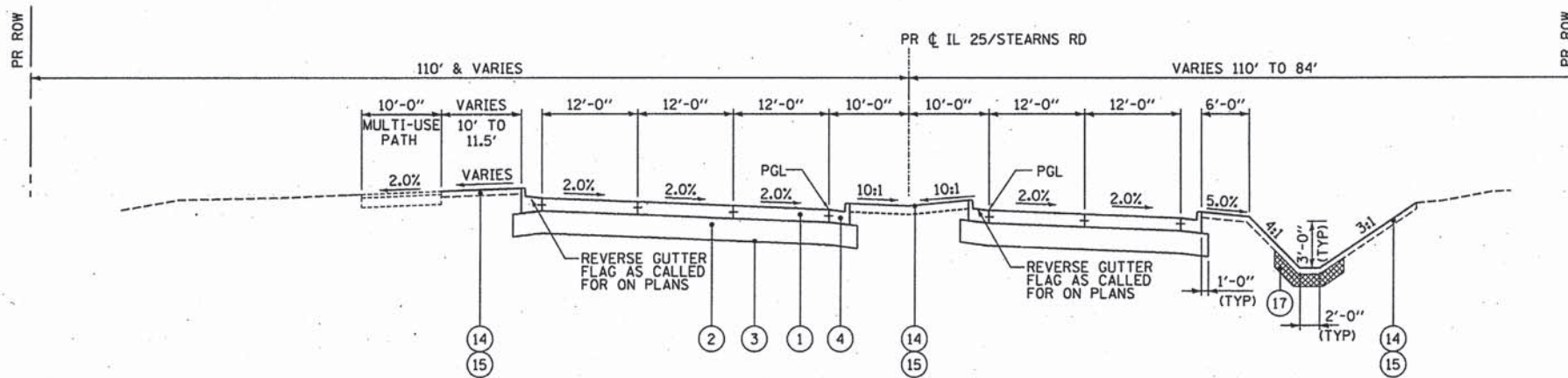


STATE OF ILLINOIS
DIVISION OF TRANSPORTATION

PROPOSED TYPICAL SECTIONS
IL 25

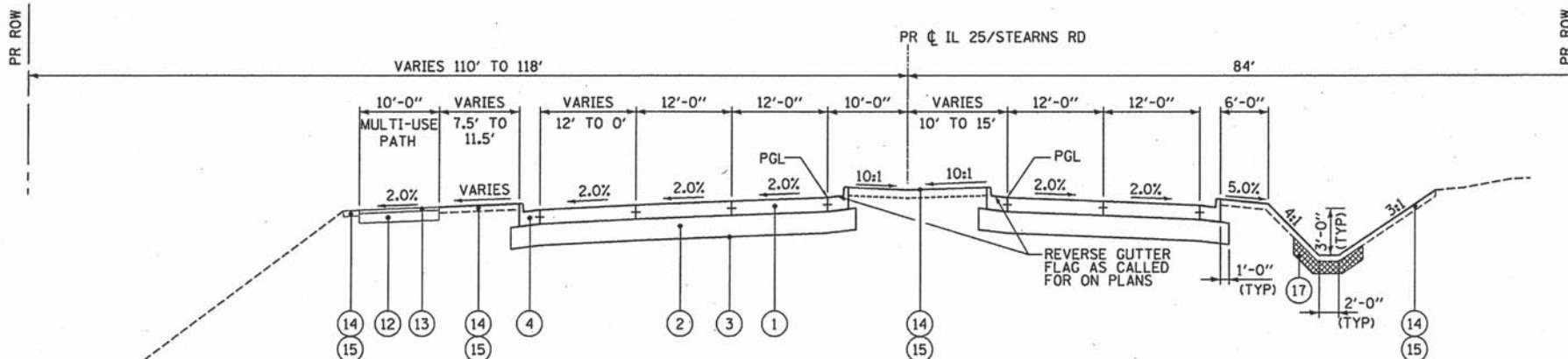
SCALE: NTS SHEET NO. 5 OF 9 SHEETS STA. TO STA.

F.A.P. RTE.	SECTION	COUNTY	TOTAL SHEETS	SHEET NO.
361	06-00214-18-RP	KANE	451	30
CONTRACT NO. 63598				
ILLINOIS FED. AID PROJECT				



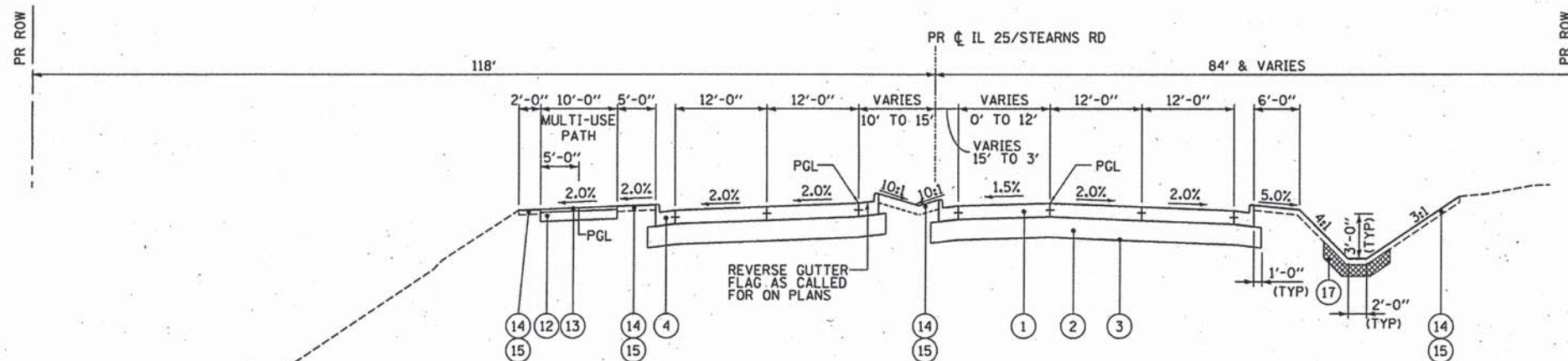
PROPOSED TYPICAL SECTION NO 3

STA 110+45.64 TO STA 114+81.61, IL 25/STEARNS ROAD
SE TRANS OUT STA 113+82.27 TO STA 115+59.86



PROPOSED TYPICAL SECTION NO 4

STA 115+27.00 TO STA 117+52, IL 25/STEARNS ROAD



PROPOSED TYPICAL SECTION NO 5

STA 117+52 TO STA 119+62, IL 25/STEARNS ROAD

LEGEND

- ① PORTLAND CEMENT CONCRETE PAVEMENT 10" (JOINTED) (ALL REQUIRED JOINTS INCLUDED IN THE COST OF THIS PAY ITEM)
- ② AGGREGATE SUBGRADE IMPROVEMENT, 12"
- ③ GEOTECHNICAL FABRIC FOR GROUND STABILIZATION
- ④ COMBINATION CONCRETE CURB & GUTTER, TYPE B-6.24
- ⑤ CONCRETE MEDIAN, TYPE SB (SPEC)
- ⑥ POLYMERIZED HOT-MIX ASPHALT SURFACE COURSE, MIX "F", N90 (IL 9.5mm), 2"
- ⑦ POLYMERIZED HOT-MIX ASPHALT BINDER COURSE, IL-19.0, N90, 2 1/4" (TOP LIFT)
HOT-MIX ASPHALT BINDER IL-19.0, N90, 8 1/4" (3 LIFTS)
- ⑧ BITUMINOUS MATERIALS (PRIME COAT)
- ⑨ HOT-MIX ASPHALT SHOULDER, 6" (2 LIFTS)
- ⑩ HOT-MIX ASPHALT SURFACE, MIX "D", N50, 2"
- ⑪ HOT-MIX ASPHALT BINDER IL-19.0mm, N50, 9" (4 LIFTS)
- ⑫ AGGREGATE BASE COURSE, TYPE B, 6"
- ⑬ HOT-MIX ASPHALT SURFACE, MIX "D", N50, 2"
- ⑭ TOPSOIL EXCAVATION AND PLACEMENT
- ⑮ SEEDING AND EROSION CONTROL BLANKET (SEE LANDSCAPING PLANS)
- ⑯ STEEL PLATE BEAM GUARDRAIL, TYPE A, 6 FT POSTS
- ⑰ CLAY LINER, 8"

THE ADDITIONAL FABRIC REQUIRED FOR OVERLAP AREAS SHALL NOT BE PAID FOR SEPARATELY BUT SHALL BE INCLUDED IN THE COST OF GEOTECHNICAL FABRIC FOR GROUND STABILIZATION.

ITEMS ⑩ AND ⑪ WILL BE PAID FOR AS HOT-MIX ASPHALT PAVEMENT (FULL DEPTH) 11"

ITEM ⑥ AND ⑦ WILL BE PAID FOR AS HOT-MIX ASPHALT PAVEMENT (FULL DEPTH) 12 1/2"

FILE NAME =	DESIGNED - AAF	REVISED -
...\\D163598-aht-pr-tyo-02.dgn	DRAWN - TMB	REVISED -
USER NAME = tblank	CHECKED - JMM	REVISED -
PLOT DATE = 1/17/2013	DATE - 01/18/2013	REVISED -

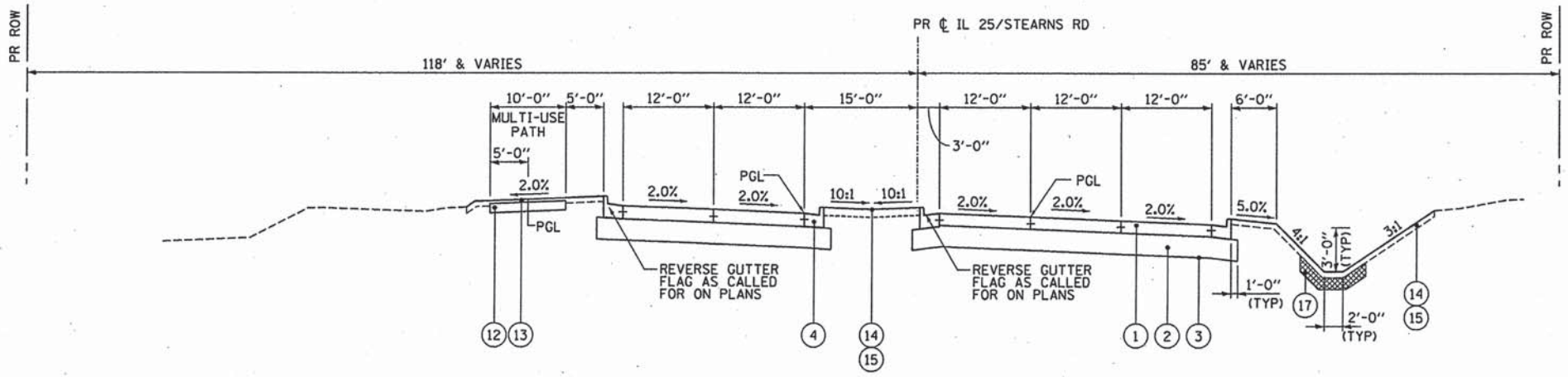


STATE OF ILLINOIS
DIVISION OF TRANSPORTATION

PROPOSED TYPICAL SECTIONS
IL 25/STEARNS RD

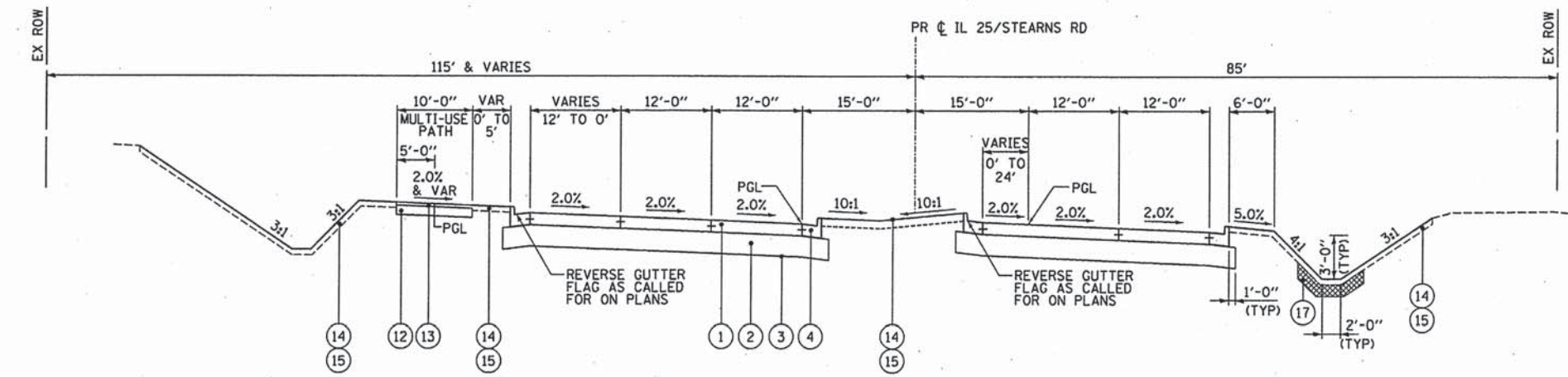
SCALE: NTS SHEET NO. 6 OF 9 SHEETS STA. TO STA.

F.A.P. RTE.	SECTION	COUNTY	TOTAL SHEETS	SHEET NO.
361	06-00214-18-RP	KANE	451	31
CONTRACT NO. 63598				
ILLINOIS FED. AID PROJECT				



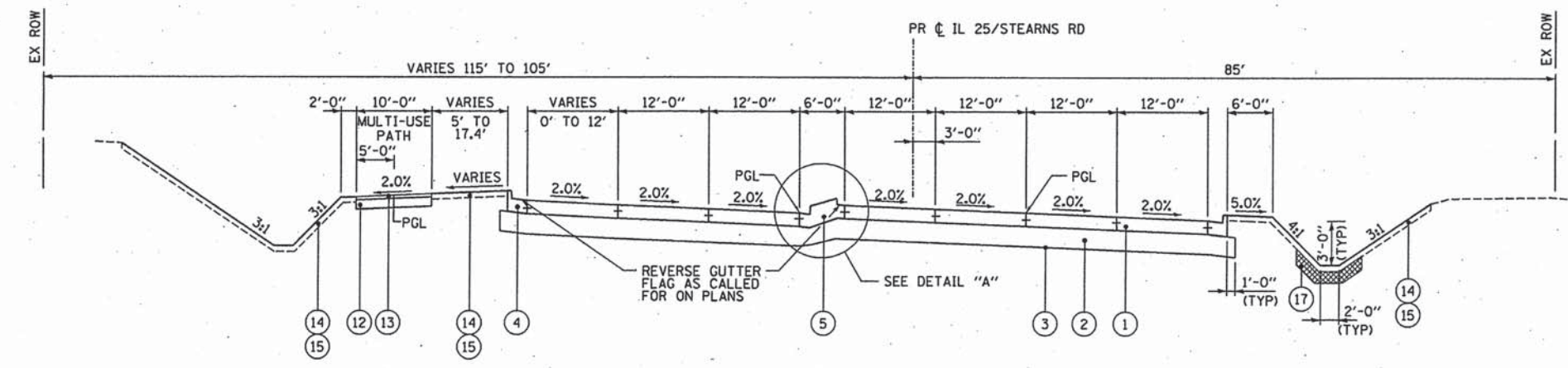
PROPOSED TYPICAL SECTION NO 6

STA 119+62.00 TO STA 124+32.22, IL 25/STEARNS ROAD
 SE TRANS IN STA 120+85.36 TO STA 122+40.75
 MULTI-USE PATH SE TRANS IN STA 122+50.00 TO STA 123+00.00



PROPOSED TYPICAL SECTION NO 7

SEE ROADWAY PLANS AND RETAINING WALL PLANS FOR WALL LOCATION
 STA 124+32.22 TO STA 129+30.00, IL 25/STEARNS ROAD
 MULTI-USE PATH SE TRANS OUT STA 126+00.00 TO STA 126+50.00



PROPOSED TYPICAL SECTION NO 8

STA 129+30.00 TO STA 132+20.50, IL 25/STEARNS ROAD

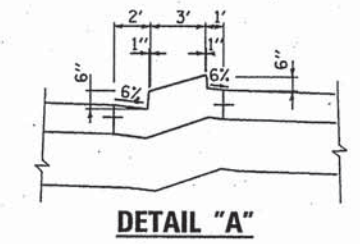
LEGEND

- ① PORTLAND CEMENT CONCRETE PAVEMENT 10" (JOINED) (ALL REQUIRED JOINTS INCLUDED IN THE COST OF THIS PAY ITEM)
- ② AGGREGATE SUBGRADE IMPROVEMENT, 12"
- ③ GEOTECHNICAL FABRIC FOR GROUND STABILIZATION
- ④ COMBINATION CONCRETE CURB & GUTTER, TYPE B-6.24
- ⑤ CONCRETE MEDIAN, TYPE SB (SPEC)
- ⑥ POLYMERIZED HOT-MIX ASPHALT SURFACE COURSE, MIX "F", N90 (IL 9.5mm), 2"
- ⑦ POLYMERIZED HOT-MIX ASPHALT BINDER COURSE, IL-19.0, N90, 2 1/4" (TOP LIFT)
HOT-MIX ASPHALT BINDER IL-19.0, N90, 8 1/4" (3 LIFTS)
- ⑧ BITUMINOUS MATERIALS (PRIME COAT)
- ⑨ HOT-MIX ASPHALT SHOULDER, 6" (2 LIFTS)
- ⑩ HOT-MIX ASPHALT SURFACE, MIX "D", N50, 2"
- ⑪ HOT-MIX ASPHALT BINDER IL-19.0mm, N50, 9" (4 LIFTS)
- ⑫ AGGREGATE BASE COURSE, TYPE B, 6"
- ⑬ HOT-MIX ASPHALT SURFACE, MIX "D", N50, 2"
- ⑭ TOPSOIL EXCAVATION AND PLACEMENT
- ⑮ SEEDING AND EROSION CONTROL BLANKET (SEE LANDSCAPING PLANS)
- ⑯ STEEL PLATE BEAM GUARDRAIL, TYPE A, 6 FT POSTS
- ⑰ CLAY LINER, 8"

THE ADDITIONAL FABRIC REQUIRED FOR OVERLAP AREAS SHALL NOT BE PAID FOR SEPARATELY BUT SHALL BE INCLUDED IN THE COST OF GEOTECHNICAL FABRIC FOR GROUND STABILIZATION.

ITEMS ⑩ AND ⑪ WILL BE PAID FOR AS HOT-MIX ASPHALT PAVEMENT (FULL DEPTH) 11"

ITEM ⑥ AND ⑦ WILL BE PAID FOR AS HOT-MIX ASPHALT PAVEMENT (FULL DEPTH) 12 1/2"



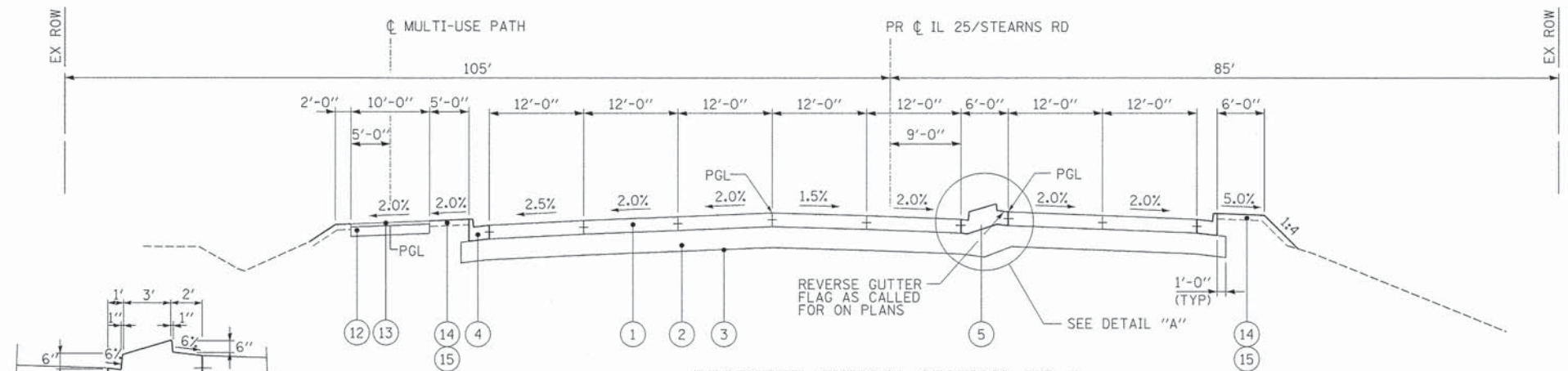
FILE NAME =	DESIGNED - AAF	REVISED -
... \D163598-aht-pr-tp-03.dgn	DRAWN - TMB	REVISED -
USER NAME = tblank	CHECKED - JMM	REVISED -
PLOT DATE = 1/17/2013	DATE - 01/18/2013	REVISED -



STATE OF ILLINOIS
 DIVISION OF TRANSPORTATION

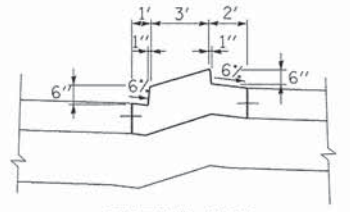
PROPOSED TYPICAL SECTIONS IL 25/STEARNS RD		F.A.P. RTE. 361	SECTION 06-00214-18-RP	COUNTY KANE	TOTAL SHEETS 451	SHEET NO. 32
SCALE: NTS	SHEET NO. 7 OF 9 SHEETS	STA.	TO STA.		ILLINOIS FED. AID PROJECT	

F.A.P. RTE. 361	SECTION 06-00214-18-RP	COUNTY KANE	TOTAL SHEETS 451	SHEET NO. 32
CONTRACT NO. 63598				

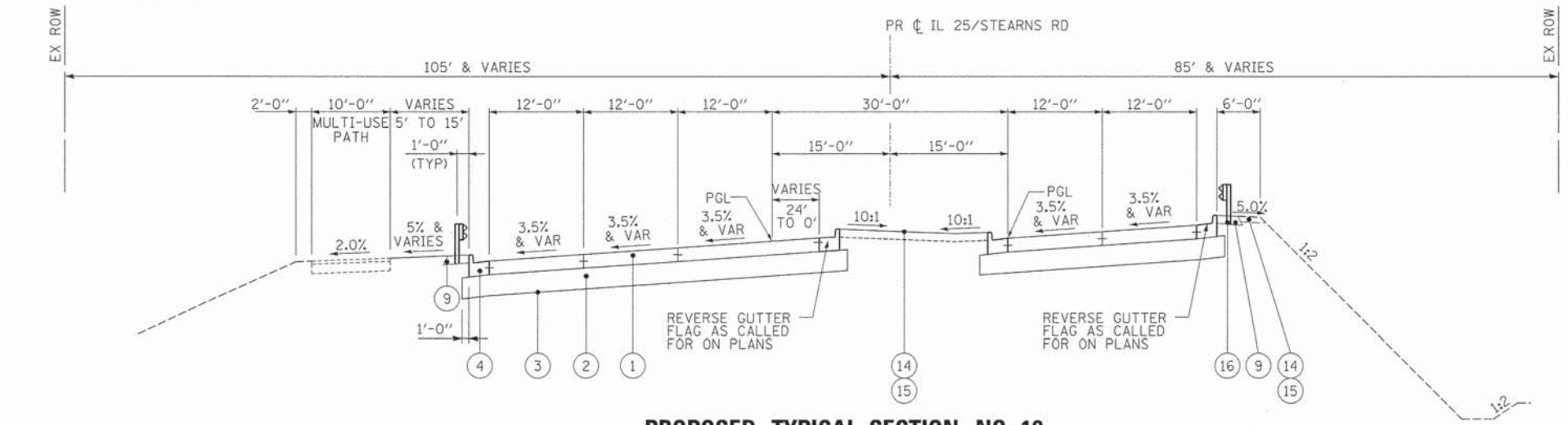


PROPOSED TYPICAL SECTION NO 9

STA 132+20.56 STA 134+00.00, IL 25/STEARNS ROAD
SE TRANS OUT STA 131+84.37 TO STA 133+61.95

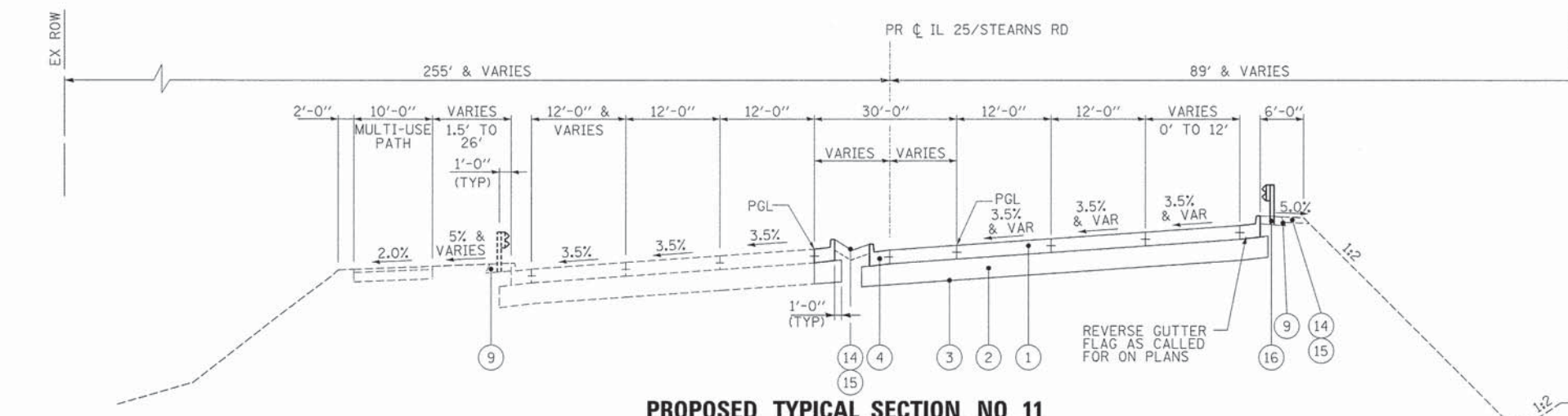


DETAIL "A"



PROPOSED TYPICAL SECTION NO 10

STA 134+00.00 TO STA 139+40.00, IL 25/STEARNS ROAD
SE TRANS IN STA 135+60.34 TO STA 138+04.55
(PROPOSED BRIDGE OMISSION STA 137+90.64 TO STA 139+19.37)
IL 25/STEARNS ROAD BRIDGE OVER E. BRANCH BREWSTER CREEK



PROPOSED TYPICAL SECTION NO 11

STA 139+40.00 TO STA 142+40.00, IL 25/STEARNS ROAD
SE TRANS OUT STA 140+89.21 TO STA 143+33.41

LEGEND

- ① PORTLAND CEMENT CONCRETE PAVEMENT 10" (JOINTED) (ALL REQUIRED JOINTS INCLUDED IN THE COST OF THIS PAY ITEM)
- ② AGGREGATE SUBGRADE IMPROVEMENT, 12"
- ③ GEOTECHNICAL FABRIC FOR GROUND STABILIZATION
- ④ COMBINATION CONCRETE CURB & GUTTER, TYPE B-6.24
- ⑤ CONCRETE MEDIAN, TYPE SB (SPEC)
- ⑥ POLYMERIZED HOT-MIX ASPHALT SURFACE COURSE, MIX "F", N90 (IL 9.5mm), 2"
- ⑦ POLYMERIZED HOT-MIX ASPHALT BINDER COURSE, IL-19.0, N90, 2 1/4" (TOP LIFT)
HOT-MIX ASPHALT BINDER IL-19.0, N90, 8 1/4" (3 LIFTS)
- ⑧ BITUMINOUS MATERIALS (PRIME COAT)
- ⑨ HOT-MIX ASPHALT SHOULDER, 6" (2 LIFTS)
- ⑩ HOT-MIX ASPHALT SURFACE, MIX "D", N50, 2"
- ⑪ HOT-MIX ASPHALT BINDER IL-19.0mm, N50, 9" (4 LIFTS)
- ⑫ AGGREGATE BASE COURSE, TYPE B, 6"
- ⑬ HOT-MIX ASPHALT SURFACE, MIX "D", N50, 2"
- ⑭ TOPSOIL EXCAVATION AND PLACEMENT
- ⑮ SEEDING AND EROSION CONTROL BLANKET (SEE LANDSCAPING PLANS)
- ⑯ STEEL PLATE BEAM GUARDRAIL, TYPE A, 6 FT POSTS
- ⑰ CLAY LINER, 8"

THE ADDITIONAL FABRIC REQUIRED FOR OVERLAP AREAS SHALL NOT BE PAID FOR SEPARATELY BUT SHALL BE INCLUDED IN THE COST OF GEOTECHNICAL FABRIC FOR GROUND STABILIZATION.

ITEMS ⑩ AND ⑪ WILL BE PAID FOR AS HOT-MIX ASPHALT PAVEMENT (FULL DEPTH) 11"

ITEM ⑥ AND ⑦ WILL BE PAID FOR AS HOT-MIX ASPHALT PAVEMENT (FULL DEPTH) 12 1/2"

FILE NAME =	DESIGNED - AAF	REVISED -
...\\0163598-sht-pr+typ-04.dgn	DRAWN - TMB	REVISED -
USER NAME = tblank	CHECKED - JMM	REVISED -
PLOT DATE = 1/17/2013	DATE - 01/18/2013	REVISED -

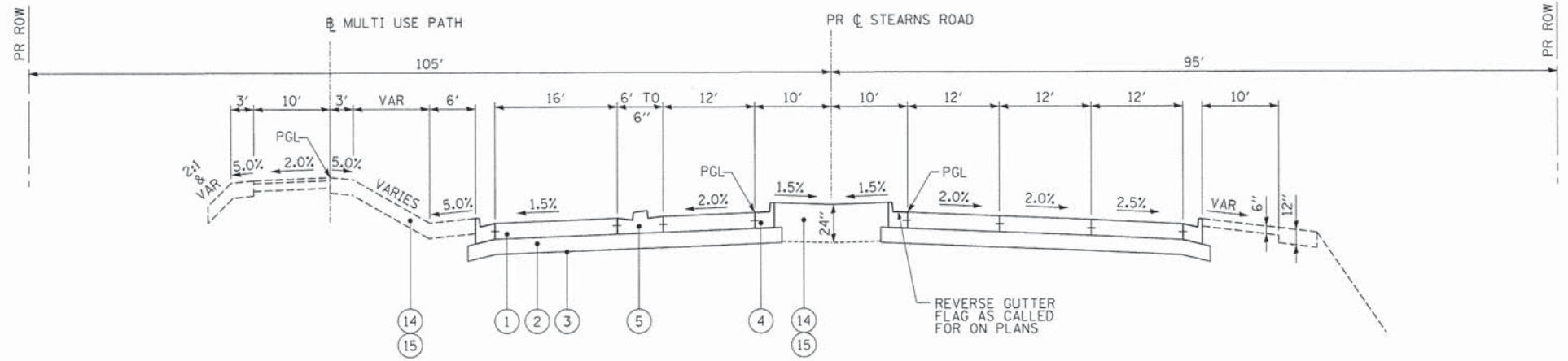


STATE OF ILLINOIS
DIVISION OF TRANSPORTATION

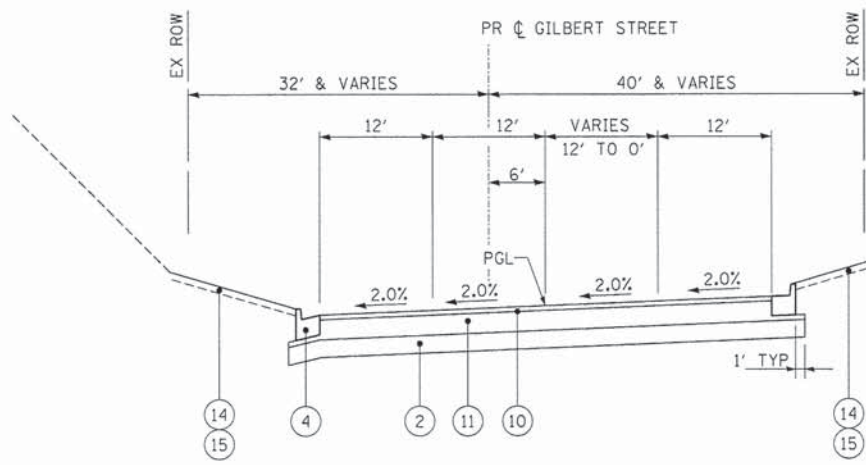
PROPOSED TYPICAL SECTIONS
IL 25/STEARNS RD

SCALE: NTS SHEET NO. 8 OF 9 SHEETS STA. TO STA.

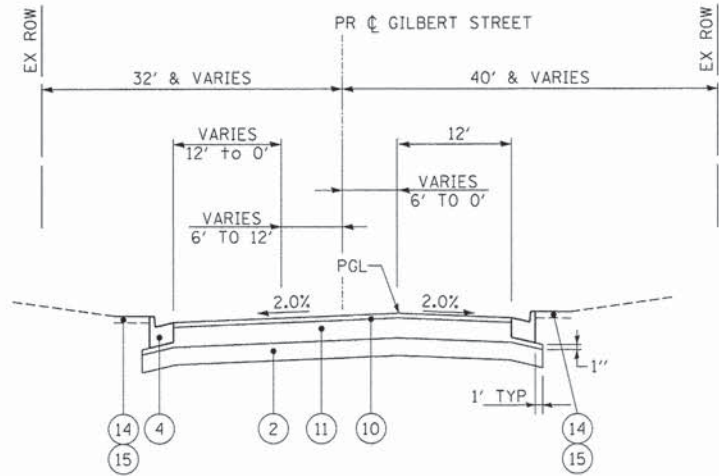
F.A.P. RTE.	SECTION	COUNTY	TOTAL SHEETS	SHEET NO.
361	06-00214-18-RP	KANE	451	33
CONTRACT NO. 63598			ILLINOIS FED. AID PROJECT	



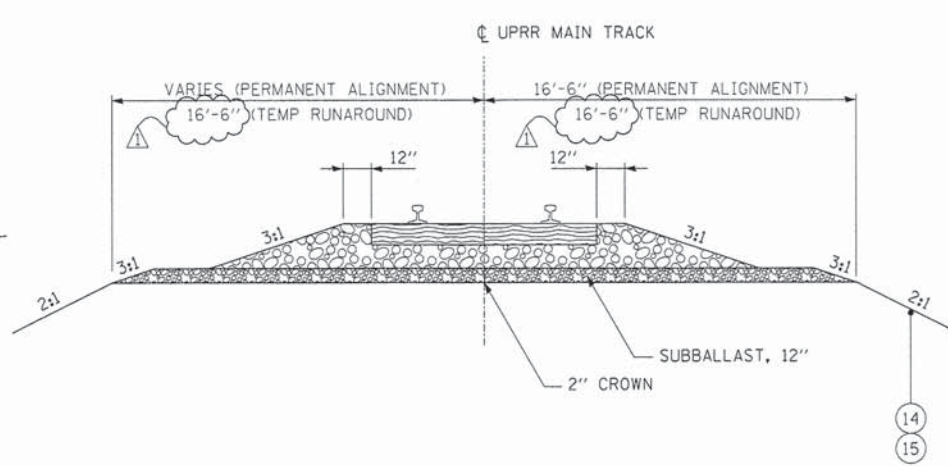
PROPOSED TYPICAL SECTION NO 12
 STA 605+95.78 TO STA 608+84.79, STEARNS ROAD



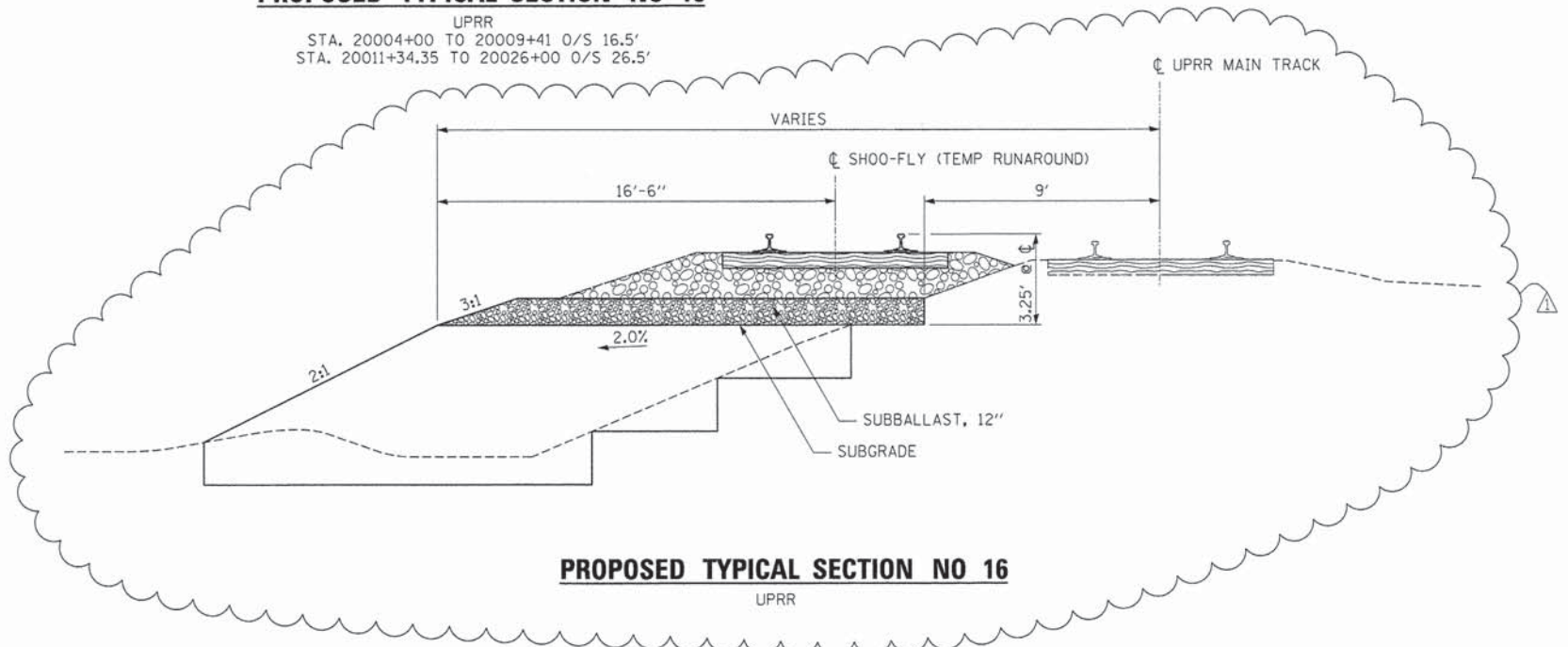
PROPOSED TYPICAL SECTION NO 13
 STA 301+18.80 TO STA 304+41.75, GILBERT STREET
 SE TRANS OUT STA 302+51.18 TO STA 304+28.78



PROPOSED TYPICAL SECTION NO 14
 STA 304+41.75 TO STA 307+80.38, GILBERT STREET



PROPOSED TYPICAL SECTION NO 15
 UPRR
 STA. 20004+00 TO 20009+41 O/S 16.5'
 STA. 20011+34.35 TO 20026+00 O/S 26.5'



PROPOSED TYPICAL SECTION NO 16
 UPRR

LEGEND

- ① PORTLAND CEMENT CONCRETE PAVEMENT 10" (JOINTED) (ALL REQUIRED JOINTS INCLUDED IN THE COST OF THIS PAY ITEM)
- ② AGGREGATE SUBGRADE IMPROVEMENT, 12"
- ③ GEOTECHNICAL FABRIC FOR GROUND STABILIZATION
- ④ COMBINATION CONCRETE CURB & GUTTER, TYPE B-6.24
- ⑤ CONCRETE MEDIAN, TYPE SB (SPEC)
- ⑥ POLYMERIZED HOT-MIX ASPHALT SURFACE COURSE, MIX "F", N90 (IL 9.5mm), 2"
- ⑦ POLYMERIZED HOT-MIX ASPHALT BINDER COURSE, IL-19.0, N90, 2 1/4" (TOP LIFT)
HOT-MIX ASPHALT BINDER IL-19.0, N90, 8 1/4" (3 LIFTS)
- ⑧ BITUMINOUS MATERIALS (PRIME COAT)
- ⑨ HOT-MIX ASPHALT SHOULDER, 6" (2 LIFTS)
- ⑩ HOT-MIX ASPHALT SURFACE, MIX "D", N50, 2"
- ⑪ HOT-MIX ASPHALT BINDER IL-19.0mm, N50, 9" (4 LIFTS)
- ⑫ AGGREGATE BASE COURSE, TYPE B, 6"
- ⑬ HOT-MIX ASPHALT SURFACE, MIX "D", N50, 2"
- ⑭ TOPSOIL EXCAVATION AND PLACEMENT
- ⑮ SEEDING AND EROSION CONTROL BLANKET (SEE LANDSCAPING PLANS)
- ⑯ STEEL PLATE BEAM GUARDRAIL, TYPE A, 6 FT POSTS
- ⑰ CLAY LINER, 8"

THE ADDITIONAL FABRIC REQUIRED FOR OVERLAP AREAS SHALL NOT BE PAID FOR SEPARATELY BUT SHALL BE INCLUDED IN THE COST OF GEOTECHNICAL FABRIC FOR GROUND STABILIZATION.

ITEMS ⑩ AND ⑪ WILL BE PAID FOR AS HOT-MIX ASPHALT PAVEMENT (FULL DEPTH) 11"

ITEM ⑥ AND ⑦ WILL BE PAID FOR AS HOT-MIX ASPHALT PAVEMENT (FULL DEPTH) 12 1/2"

FILE NAME =	DESIGNED - AAF	REVISED - ADDENDUM A 04/15/2013
... \D163598-aht-pr-tyr-05.dgn	DRAWN - TMB	REVISED -
USER NAME = toddlark	CHECKED - JMM	REVISED -
PLOT DATE = 4/15/2013	DATE - 01/18/2013	REVISED -



STATE OF ILLINOIS
 DIVISION OF TRANSPORTATION

PROPOSED TYPICAL SECTIONS STEARNS RD, GILBERT ST & UPRR	
SCALE: NTS	SHEET NO. 9 OF 9 SHEETS
STA. _____	TO STA. _____

F.A.P. RTE.	SECTION	COUNTY	TOTAL SHEETS	SHEET NO.
361	06-00214-18-RP	KANE	451	34
CONTRACT NO. 63598			ILLINOIS FED. AID PROJECT	

PAVEMENT SCHEDULE

LOCATION			40701931	42000501	21001000	40701901	40600100	30300112	40603335	35101800	42001300	44213100	44201757
HOT-MIX ASPHALT PAVEMENT (FULL DEPTH) 12 1/2"			PORTLAND CEMENT CONCRETE PAVEMENT 10" (JOINTED)	GEOTECHNICAL FABRIC FOR GROUND STABILIZATION	HOT-MIX ASPHALT PAVEMENT (FULL DEPTH) 11"	BITUMINOUS MATERIALS (PRIME COAT)	AGGREGATE SUBGRADE IMPROVEMENT 12"	HOT-MIX ASPHALT SURFACE COURSE, MIX "D", N50	AGGREGATE BASE COURSE, TYPE B, 6"	PROTECTIVE COAT	PAVEMENT FABRIC	CLASS D PATCHES, TYPE III, 9 INCH	
ROAD	Station From	Station To	(SQ YD)	(SQ YD)	(SQ YD)	(SQ YD)	(GAL)	(SQ YD)	(TON)	(SQ YD)	(SQ YD)	(SQ YD)	(SQ YD)
IL 25	102+52.19	106+90.80	2,169	0	2,472	0	1,085	2,472	0	0	0	0	0
IL 25	106+90.80	108+86.28	0	1,284	1,607	0	0	1,607	0	0	2568	0	0
IL 25/STEARNS RD.	108+86.28	112+62.41	0	2,384	2,815	0	0	2,815	0	0	4768	0	21
IL 25/STEARNS RD.	112+62.41	117+90.41	0	3,267	2,384	0	0	2,384	0	0	6534	0	0
IL 25/STEARNS RD.	118+12.83	123+00.00	0	3,170	4,124	0	0	4,124	0	0	6340	0	0
IL 25/STEARNS RD.	123+00.00	125+00.00	0	2,263	3,952	0	0	3,952	0	0	4526	0	0
IL 25/STEARNS RD.	125+00.00	130+99.77	0	4,633	2,544	0	0	2,544	0	0	9266	0	0
IL 25/STEARNS RD.	130+99.77	132+00.00	0	1,513	5,582	0	0	5,582	0	0	3026	0	0
IL 25/STEARNS RD.	132+00.00	142+40.13	0	8,087	9,652	0	0	9,652	0	0	16174	0	0
STEARNS RD	606+39.23	608+92.86	0	2,784	3,655	0	0	3,655	0	0	5568	0	0
GILBERT ST	301+18.91	307+80.42	0	0	3,134	2606	1,303	3,134	0	0	0	0	0
DUNHAM RD	142+40.13	146+93.87	0	703	1,931	0	0	1,931	0	0	1406	0	0
MULTI USE PATH	577+64.00	597+00.00	0	0	133	0	0	0	210	2,048	0	0	0
IL 25/STEARNS RD./CCPRR GRADE CROSSING			132	0	0	0	0	133	0	0	0	476	0
RELOCATED FOREST PRESERVE PATH DRIVEWAYS			0	0	0	0	0	0	0	354			
TEMPORARY PAVEMENT			0	0	0	0	1,597	0	0	3,111	0	0	0
			2,302	30,088	43,985	2,606	4,437	43,985	342	5,513	60,176	476	21

CURB AND GUTTER SCHEDULE

LOCATION			60605000	60610400	42001300
COMBINATION CONCRETE CURB AND GUTTER, TYPE B-6.24			COMBINATION CONCRETE CURB AND GUTTER, TYPE M-6.24	PROTECTIVE COAT	
ROAD	Station From	Station To	(FOOT)	(FOOT)	(SQ YD)
IL 25	102+52.13	106+90.80	986		548
IL 25	106+90.80	108+86.28	346		194
IL 25/STEARNS RD	108+86.28	112+62.41	804		448
IL 25/STEARNS RD	112+62.41	CCPRR	2,125	150	1266
IL 25/STEARNS RD	CCPRR	123+00.00	1,949	150	1168
IL 25/STEARNS RD	123+00.00	125+00.00	699		390
IL 25/STEARNS RD	125+00.00	130+99.77	2,060		1146
IL 25/STEARNS RD	130+99.77	132+00.00	271		152
IL 25/STEARNS RD	132+00.00	142+40.13	3,244		1804
IL 25/STEARNS RD	142+40.13	145+00.00	260		146
STEARNS RD	606+39.23	608+92.86	1072		596
GILBERT ST	301+18.91	307+80.42	1323		736
DUNHAM RT TURN LANE	145+00.00	146+53.24	257		144
			15,396	300	8,738

MEDIAN & ISLAND SCHEDULE

LOCATION			X6061100	42001300	60625900	60625600
CONCRETE MEDIAN, TYPE SB (SPECIAL)			PROTECTIVE COAT	P.C.C. RAMPED MEDIAN TERMINAL	ISLAND PAVEMENT (6")	
ROAD	Station From	Station To	(SQ FT)	(SQ YD)	(EACH)	(SQ YD)
IL 25/STEARNS RD	106+90.80	108+86.28	1,769	348		138
IL 25/STEARNS RD	129+30.00	130+97.00	999	224		
IL 25/STEARNS RD	132+20.00	134+00.00	1,058	240		
IL 25/STEARNS RD	143+68.00	144+98.24	519	116		
STEARNS RD	605+95.78	607+27.74	860	192		
CCPRR - WEST SIDE				32	1	
CCPRR - EAST SIDE				32	1	
IL 25/STEARNS RD				1,956		978
IL 25/STEARNS RD				2,324		1,162
			5,206	5,464	2	2,278

DRIVEWAY SCHEDULE

LOCATION			35501316	40803335
HOT-MIX ASPHALT SURFACE COURSE, MIX "D", N50			HOT-MIX ASPHALT BASE COURSE, 8"	HOT-MIX ASPHALT SURFACE COURSE, MIX "D", N50
ROAD	STATION	SIDE	(SQ YD)	(TON)
IL 25	105+38.35	RT	134	12
IL 25	106+72.42	RT	376	35
IL 25/STEARNS RD	115+73.26	RT	82	9
IL 25/STEARNS RD	119+76.22	RT	53	7
IL 25/STEARNS RD	121+18.85	LT	59	7
IL 25/STEARNS RD	124+85.00	RT	61	6
GILBERT ST	302+25.00	RT	151	16
GILBERT ST	302+56.77	RT	88	10
GILBERT ST	304+12.58	RT	83	10
GILBERT ST	305+89.67	RT	174	20
			1,262	132

FILE NAME *	DESIGNED - AAF	REVISED - ADDENDUM A 04/15/2013
...\\163598-sht-schedule-01.dgn	DRAWN - TMB	REVISED -
USER NAME = jmejevsk	CHECKED - JMM	REVISED -
PLOT DATE = 4/16/2013	DATE - 01/18/2013	REVISED -



STATE OF ILLINOIS
DIVISION OF TRANSPORTATION

SCHEDULE OF QUANTITIES

SCALE: NTS SHEET NO. 1 OF 6 SHEETS STA. TO STA.

F.A.P. RTE.	SECTION	COUNTY	TOTAL SHEETS	SHEET NO.
361	06-00214-18-RP	KANE	451	35
			CONTRACT NO. 63598	
[ILLINOIS] FED. AID PROJECT				

PAVEMENT MARKING SCHEDULE

LOCATION			78000100	78000200		78000400		78000600	78008200		78008210		78008230		78008240	78008250		78008270	78300100
			THERMOPLASTIC PAVT MARKING - LETTERS & SYMBOLS	THERMOPLASTIC PAVT MARKING - LINE 4"		THERMOPLASTIC PAVT MARKING - LINE 6"		THERMOPLASTIC PAVT MARKING - LINE 12"	POLYUREA PAVT MARKING TYPE I - LETTERS & SYMBOLS		POLYUREA PAVT MARKING TYPE I - LINE 4"		POLYUREA PAVT MARKING TYPE I - LINE 6"		POLYUREA PAVT MARKING TYPE I - LINE 8"	POLYUREA PAVT MARKING TYPE I - LINE 12"		POLYUREA PAVT MARKING TYPE I - LINE 24"	PAVEMENT MARKING REMOVAL
Road	Start STA	End STA	(SQ FT)	(FOOT)	(FOOT)	(FOOT)	(FOOT)	(FOOT)	(SQ FT)	(SQ FT)	(FOOT)	(FOOT)	(FOOT)	(FOOT)	(FOOT)	(FOOT)	(FOOT)	(FOOT)	(FOOT)
IL 25	102+52.19	106+90.80	--	1770	20	53	--	47	--	--	29	--	--	--	--	--	--	--	1368
IL 25/STEARNS RD	106+90.80	109+17	--	--	--	--	--	--	73	--	--	80	--	220	--	--	--	40	
IL 25/STEARNS RD	110+62	118+00	--	--	--	--	--	--	73	123	--	370	--	313	--	--	--	72	
IL 25/STEARNS RD	118+00	123+60	--	--	--	--	--	--	73	123	--	280	--	395	--	--	--	91	
IL 25/STEARNS RD	124+40	131+00	--	--	--	--	--	--	146	--	--	330	92	1030	--	--	191	55	748
IL 25/STEARNS RD	132+20	146+93.87	--	--	--	--	--	--	437	--	--	850	233	2035	405	--	215	91	3831
STEARNS RD			--	--	--	--	--	--	110	--	--	--	210	785	735	--	221	89	
GILBERT ST			73	2648	--	53	323	111	73	--	146	--	40	37	--	23	--	129	
DUNHAM RD RT TURN			--	--	--	--	--	--	--	--	--	--	--	373	--	181	--	--	
TOTAL			73	4418	20	106	323	158	985	246	175	1910	575	4815	1513	23	808	567	5947

GUARDRAIL SCHEDULE

LOCATION			63000001	63100070	63100085	63100167	63200310	63301210	63301990	63302700	78200410	48203021
ROAD	STATION	SIDE	STEEL PLATE BEAM GUARDRAIL, TYPE A, 6 FOOT POSTS	TRAFFIC BARRIER TERMINAL, TYPE 5	TRAFFIC BARRIER TERMINAL, TYPE 6	TRAFFIC BARRIER TERMINAL, TYPE 1 (SPECIAL) TANGENT	GUARDRAIL REMOVAL	REMOVE AND REERECT STEEL PLATE BEAM GUARDRAIL, TYPE A	REMOVE AND REERECT TRAFFIC BARRIER TERMINALS, TYPE 1	REMOVE AND REERECT TRAFFIC BARRIER TERMINALS, TYPE 6	GUARDRAIL MARKERS, TYPE A	HOT-MIX ASPHALT SHOULDERS, 6"
			(FOOT)	(EACH)	(EACH)	(EACH)	(FOOT)	(FOOT)	(EACH)	(EACH)	(EACH)	(SQ YD)
IL 25	BREWSTER CREEK	LT	--	--	--	--	--	200.0	1	--	1	78
IL 25	BREWSTER CREEK	RT	--	--	--	--	--	200.0	1	--	2	156
IL 25/STEARNS RD	UPRR	RT	--	--	--	--	210.0	--	--	--	--	--
IL 25/STEARNS RD	E. BRANCH (NW)	LT	37.5	1	--	--	56.25	--	1	--	3	63
IL 25/STEARNS RD	E. BRANCH (NE)	LT	37.5	--	--	--	350.0	1	1	--	3	111
IL 25/STEARNS RD	E. BRANCH (SE)	LT	--	--	1	--	56.25	137.5	1	--	3	81
IL 25/STEARNS RD	E. BRANCH (SW)	RT	137.5	--	1	1	--	--	--	--	3	75
IL 25/STEARNS RD	E. BRANCH (SE)	RT	137.5	--	1	1	--	--	--	--	2	75
TOTAL			350.0	1	3	2	323	887.5	5	1	17	639

REFLECTIVE PAVEMENT MARKERS

LOCATION			78100100	78100105	78300200
ROAD	Start STA	End STA	RAISED REFLECTIVE PAVEMENT MARKER	RAISED REFLECTIVE PAVEMENT MARKER (BRIDGE)	RAISED REFLECTIVE PAVEMENT MARKER REMOVAL
			(EACH)	(EACH)	(EACH)
IL 25	102+52.19	106+90.80	--	--	--
IL 25/STEARNS RD	106+90.80	109+17	10	--	10
IL 25/STEARNS RD	110+62	118+00	36	--	36
IL 25/STEARNS RD	118+00	123+60	28	--	28
IL 25/STEARNS RD	124+40	131+00	34	--	34
IL 25/STEARNS RD	132+20	146+93.87	86	6	92
STEARNS RD			--	--	--
GILBERT ST			--	--	--
DUNHAM RD RT TURN			--	--	--
TOTAL			194	6	200

FILE NAME = ...\\0163598-sht-schedule-02.dgn	DESIGNED - AAF	REVISED -
USER NAME = tblank	DRAWN - TMB	REVISED -
PLOT DATE = 1/17/2013	CHECKED - JMM	REVISED -
	DATE - 01/18/2013	REVISED -



**STATE OF ILLINOIS
DIVISION OF TRANSPORTATION**

SCHEDULE OF QUANTITIES

SCALE: NTS SHEET NO. 2 OF 8 SHEETS STA. TO STA.

F.A.P. RTE. 361	SECTION 06-00214-18-RP	COUNTY KANE	TOTAL SHEETS 451	SHEET NO. 36
CONTRACT NO. 63598			[ILLINOIS] FED. AID PROJECT	

EXISTING & PROPOSED SIGNING SCHEDULE

STATION	EXISTING OFFSET (LT/RT/CL.)	PROPOSED OFFSET (LT/RT/CL.)	SIGN NO. (MUTCD)	SIZE (INCHES)		AREA (SQ FT)		MESSAGE OR SYMBOL	73700100	72400310	72400710	72400720	72000100	72900100	72900200	72800100	73100100	73000100
				WIDTH	DEPTH	TYPE 1	TYPE 2		REMOVE GROUND-MOUNTED SIGN SUPPORT EACH	REMOVE SIGN PANEL, TYPE 1 SQ FT	RELOCATE SIGN PANEL, TYPE 1 SQ FT	RELOCATE SIGN PANEL, TYPE 2 SQ FT	SIGN PANEL, TYPE 1 SQ FT	METAL POSTS, TYPE A FOOT	METAL POSTS, TYPE B FOOT	TELESCOPING STEEL SIGN SUPPORT FOOT	BASE FOR TELESCOPING STEEL SIGN SUPPORT EACH	WOOD SIGN SUPPORT FOOT
				LESS THAN 9'	9' < X < 24'													
GROUND MOUNTED SIGNS II-25/STEARNS RD																		
105+05.80	-	22' RT	W1-2(R)	36	36	9.00							9.00	15 x 2				
105+06.52	16' RT	-	W1-2(R)	30	30	6.25		1	6.25									
105+24.40	-	39' LT	R2-1	30	36	7.50							7.50	14 x 2				
106+24.38	-	46' LT	M3-3	24	12	2.00					2.00				13			
			M1-1100	24	24	4.00		1		4.00								
107+02.97	-	9' LT	R3-2	36	36	9.00							9.00			16.5 x 2	2	
107+69.76	41' LT	-	R2-1	24	30	5.00		1	5.00									
108+24.00	-	42' RT	M3-1	24	12	2.00							2.00		13			
			M1-1100	24	24	4.00							4.00					
108+50.00	-	42' LT	W4-2	36	36	9.00							9.00	15 x 2				
109+46.08	-	43' RT	M1-5	24	24	4.00				4.00								
			M6-4	21	15	2.19							2.19					
109+50.89	16' RT	-	W1-7	48	24	8.00		1	8.00									
110+01.17	45' RT	-	W9-2	36	36	9.00		1	9.00									
110+63.55	-	44' LT	M1-1100	24	24	4.00				4.00					13			
			M6-2	21	15	2.19		1		2.19								
110+25.18	-	41' RT	W1-7	48	24	8.00		1		8.00								
111+42.00	42' RT	-	R2-1	24	30	5.00		1	5.00									
111+65.95	-	42' RT	R2-1	30	36	7.50							7.50	14 x 2				
111+66.87	-	48' LT	R3-5	30	36	7.50		1		7.50				15 x 2				
112+15.25	63' RT	-	W1-8	12	18	1.50		1	1.50									
113+15.38	65' RT	-	W1-8	12	18	1.50		1	1.50									
114+23.72	67' RT	-	W1-8	12	18	1.50		1	1.50									
114+88.67	-	56' LT	R3-5	30	36	7.50		1		7.50				14 x 2				
115+52.96	-	44' RT	W10-1	36	36	9.00		1		9.00				14 x 2				
116+65.22	-	44' RT	W3-3	30	30	6.25				6.25								
			D3-1	36	12	3.00		1		3.00					15			
116+30.99	20' LT	-	W1-2(L)	30	30	6.25		1	6.25									
116+99.32	-	41' LT	W1-2(L)	36	36	9.00							9.00	15 x 2				
117+56.55 59.63	-7.58	45' RT	R8-8	24	30	5.00		1		5.00					14			14
118+50.56 45.37	-5.76	42' LT	R8-8	24	30	5.00		1		5.00					14			14
118+86.61	45' RT	45' RT	D1-2	48	30		10.00	2			10.00			13 x 2				
120+16.28	-	44' LT	W10-1	36	36	9.00		1		9.00				14 x 2				
120+31.85	-	45' RT	W1-2(R)	30	30	6.25							6.25	15 x 2				
121+72.06	44' LT	-	R2-1	24	30	5.00		1	5.00									
121+72.06	-	44' LT	R2-1	30	36	7.50							7.50	14 x 2				
121+82.54	44' LT	-	SIGN 01	48	27	9.00		2		9.00								
			SIGN 02	30	15	3.13				3.13								
121+90.52	30' LT	-	OM4-3	1	1	1.00		1	1.00									
121+96.22	30' LT	-	OM4-3	1	1	1.00		1	1.00									
122+03.09	29' LT	-	OM4-3	1	1	1.00		1	1.00									
122+10.30	28' LT	-	OM4-3	1	1	1.00		1	1.00									
122+17.46	27' LT	-	OM4-3	1	1	1.00		1	1.00									
122+25.27	44' LT	-	SIGN 03	45	21	6.56		1	6.56									
122+76.42	-	3' LT		30	36	7.50				7.50						15 x 2	2	
122+76.62	-	47' RT		30	36	7.50				7.50								
123+50.00	-	74' LT	W11-1	30	30	6.25				6.25				13 x 2				
			M6-2a	21	15	2.19				2.19								
123+86.73	60' RT	60' RT	D3-1	54	12	4.50				4.50								
123+97.80	59' RT	59' RT	W1-7	48	24	8.00				8.00								
123+54.00	-	143' LT	M1-1100	24	24	4.00				4.00					13			
			M6-4	21	15	2.19							2.19					
124+08.97	57' RT	-	W1-7	48	24	8.00				8.00								
125+60.86	44' RT	-	W10-11	36	36	9.00		1	9									
125+71.57	57' LT	-	W5-2	36	36	9.00		1	9									
126+63.74	47' RT	-	R2-1	24	30	5.00		1	5.00									
126+63.74	-	47' RT	R2-1	30	36	7.50							7.50	14 x 2				
126+90.35	-	56' LT	D1-2	46	30		9.58	2			9.58				14 x 2			
128+14.89	-	56' LT	R3-5	30	36	7.50		1		7.50				15 x 2				
129+46.03	-	11' LT	R3-5	30	36	7.50							7.50			15 x 2	2	

SCHEDULE CONTINUED ON NEXT SHEET

FILE NAME =	DESIGNED - AAF	REVISED - ADDENDUM 04/15/2013
...\\D:\63598-sht-schedule-03.dgn	DRAWN - TMB	REVISED -
USER NAME = toddblank	CHECKED - JMM	REVISED -
PLOT DATE = 4/15/2013	DATE - 01/18/2013	REVISED -



**STATE OF ILLINOIS
DIVISION OF TRANSPORTATION**

SCHEDULE OF QUANTITIES

SCALE: NTS SHEET NO. 3 OF 8 SHEETS STA. TO STA.

F.A.P. RTE.	SECTION	COUNTY	TOTAL SHEETS	SHEET NO.
361	06-00214-18-RP	KANE	451	37
CONTRACT NO. 63598			[ILLINOIS] FED. AID PROJECT	

EXISTING & PROPOSED SIGNING SCHEDULE

STATION	EXISTING OFFSET (LT/RT/CL.)	PROPOSED OFFSET (LT/RT/CL.)	SIGN NO. (MUTCD)	SIZE (INCHES)		AREA (SQ FT)		MESSAGE OR SYMBOL	73700100 REMOVE GROUND-MOUNTED SIGN SUPPORT EACH	72400310 REMOVE SIGN PANEL, TYPE 1 SQ FT	72400710 RELOCATE SIGN PANEL, TYPE 1 SQ FT	72400720 RELOCATE SIGN PANEL, TYPE 2 SQ FT	72000100 SIGN PANEL, TYPE 1 SQ FT	72900100 METAL POSTS, TYPE A FOOT	72900200 METAL POSTS, TYPE B FOOT	72800100 TELESCOPING STEEL SIGN SUPPORT FOOT	73100100 BASE FOR TELESCOPING STEEL SIGN SUPPORT EACH	73000100 WOOD SIGN SUPPORT FOOT	
				TYPE 1		TYPE 2													
				WIDTH	DEPTH	LESS THAN 9'	9' < X < 24'												
130+17.94	-	46' LT	W3-3	30	30	6.25		TRAFFIC SIGNAL			6.25								
			D3-1	55	12	4.58		GILBERT ST	1		4.58				15 x 2				
130+86.73	45' LT	-	R2-1	24	30	5.00		SPEED LIMIT 40	1	5.00									
130+86.73	-	45' LT	R2-1	30	36	7.50		SPEED LIMIT 40					7.50	14 x 2					
131+95.40	-	54' RT	SIGN 04	21	24	3.50		SEC FPD/7N/479	1		3.50			14					
132+21.49	-	56' LT	R3-5	30	36	7.50		RIGHT TURN ONLY	1		7.50			14 x 2					
133+09.89	48' RT	-	R2-1	24	30	5.00		SPEED LIMIT 40	1	5.00									
133+09.89	-	48' RT	R2-1	30	36	7.50		SPEED LIMIT 40					7.50	14 x 2					
133+84.22	-	12' RT	R3-5	30	36	7.50		LEFT TURN ONLY					7.50			15 x 2		2	
134+77.00	-	56' LT	R3-5	30	36	7.50		RIGHT TURN ONLY	1		7.50			14					
135+38.38	59' LT	-	W1-2(L)	30	30	6.25		LEFT ARROW	1	6.25									
135+38.38	-	59' LT	W1-2(L)	36	36	9.00		LEFT ARROW					9.00	14 x 2					
136+90.00	-	59' LT	R3-7	36	36	9.00		RIGHT LANE/MUST/TURN RIGHT					9.00	14 x 2					
137+42.20	59' LT	-	W10-11	36	36	9.00		TRUCK SIGN	1	9.00									
			M3-1	24	12	2.00		NORTH				2.00							
139+91.58	-	2' RT	M1-I100	24	24	4.00		ILLINOIS/25	1							15 x 2		2	
			M5-1	21	15	2.19		LEFT				2.19							
143+28.88	69' LT	-	W9-2	36	36	9.00		LANE ENDS/MERGE/LEFT	1	9.00									
144+74.62	49' LT	-	R2-1	24	30	5.00		SPEED LIMIT 40	1	5.00									
144+74.62	-	72' LT	R2-1	30	36	7.50		SPEED LIMIT 40					7.50	14 x 2					
STEARNS RD																			
606+71.46	-	54' LT	W4-3	36	36	9.00		ADD LANE					9.00	15 x 2					
606+74.23	-	2' LT	W4-3	36	36	9.00		ADD LANE					9.00			15 x 2		2	
608+07.24	-	56' RT	R3-5	30	36	7.50		RIGHT TURN ONLY	1		7.50			14 x 2					
608+12.83	-	4' RT	R3-8	30	30	6.25		TWO LEFT TURN ARROW ONLY	1		6.25								
608+14.59	-	4' RT	R4-7	24	30	5.00		KEEP RIGHT	1		5.00					15		1	
GILBERT ST																			
301+77.34	-	39' RT	SIGN 05	21	27	3.94		SEC FPD/33W/760	1		3.94								
			SIGN 06	21	27	3.94		SEC FPD/33W/764	1		3.94								
302+73.39	-	-	SIGN 07	21	27	3.94		SEC FPD/33W/800	1		3.94			13					
303+95.89	25' LT	-	W14-3	48	36	5.60		NO PASSING ZONE PENNANT		5.60									
303+95.89	-	25' RT	SIGN 09	60	24		10.00	BREWSTER CREEK/FOREST PERSERVE	2			10.00				16 x 2			
			SIGN 10	60	35		14.58	ELGIN/ST CHARLES				14.58							
304+91.14	-	23' LT	W11-1	30	30	6.25		BIKE SIGN	1		6.25								
			W16-9P	24	12	2.00		AHEAD PENNANT			2.00								
306+61.95	-	25' RT	SIGN 08	21	27	3.94		SEC FPD/33W/802	1		3.94								
MULTI-USE PATH AT CC&P GRADE CROSSING																			
116+63.86	-	44' LT	W10-1	36	36	9.00		RAIL CROSSING WARNING					9	14 x 2					
			R15-1	48	9	3.00		RR CROSSBUCK					6						
117+61.86	-	41' LT	R1-1-3030	30	30	6.25		STOP					6.25			15 x 2			
			R15-8	18	9	1.13		LOOK					1.13						
117+93.66	-	70' LT	W10-1	36	36	9.00		RAIL CROSSING WARNING					9	14 x 2					
			R15-1	48	9	3.00		RR CROSSBUCK					6						
119+06.97	-	66' LT	R1-1-3030	30	30	6.25		STOP					6.25			15 x 2			
			R15-8	18	9	1.13		LOOK					1.13						
TOTAL QUANTITY									57	149	205	45	204	751	289	198	13		
118+68.94		45.92' RT	R8-8	24	30	5.00		DO NOT STOP ON TRACKS (FLASHING BEACON)					5.00						14
117+33.33		41.07' LT	R8-8	24	30	5.00		DO NOT STOP ON TRACKS (FLASHING BEACON)					5.00						14
NB IL 25 LT TURN SIGNAL HEADS @ IL 25/STEARNS			R10-5	30	36	7.50		LEFT ON GREEN ARROW ONLY					7.50						
			R10-5	30	36	7.50		LEFT ON GREEN ARROW ONLY					7.50						
NB IL 25/STEARNS RD LT TURN @ IL 25/STEARNS RD GILBERT ST			R10-5	30	36	7.50		LEFT ON GREEN ARROW ONLY					7.50						
			R10-5	30	36	7.50		LEFT ON GREEN ARROW ONLY					7.50						
			R10-5	30	36	7.50		LEFT ON GREEN ARROW ONLY					7.50						

TEMPORARY EROSION CONTROL SCHEDULE

STAGE 1A				20101000	28001100	28000250	28000305	28000400	28000500	28000510	28100105	X0322916	X0322917	X0322918	X0326694	XX005968	Z0013796
LOCATION				TEMPORARY FENCE	TEMPORARY EROSION CONTROL BLANKET	TEMPORARY EROSION CONTROL SEEDING	TEMPORARY DITCH CHECK	PERIMETER EROSION BARRIER	INLET & PIPE PROTECTION	INLET FILTERS	STONE RIPRAP, CLASS A3	PROPOSED STORM SEWER CONNECTION TO EXISTING STORM SEWER	PROPOSED STORM SEWER CONNECTION TO EXISTING MANHOLE	PROPOSED MANHOLE/CATCH BASIN CONNECTION OVER EXISTING STORM SEWER	PLUG EXISTING STORM SEWER	TURBIDITY CURTAIN	SEDIMENT CONTROL, STABILIZED CONSTRUCTION ENTRANCE
Road	Start STA	End STA	SIDE	FOOT	SQ YD	POUND	FOOT	FOOT	EACH	EACH	SQ YD	EACH	EACH	EACH	CU YD	SQ YD	SQYD
IL 25/STEARNS RD	117+74	123+77	L	290	531.34	28.50	66	416	2	6	-	-	1	-	0.066	-	-
IL 25/STEARNS RD	117+74	123+77	M	-	-	0.00	-	-	-	-	-	-	-	-	-	-	-
IL 25/STEARNS RD	117+74	123+77	R	-	-	0.00	-	-	-	-	-	-	-	-	0.011	-	288
IL 25/STEARNS RD	123+77	131+50	L	-	2234.02	59.28	48	-	1	8	-	-	-	-	0.011	-	288
IL 25/STEARNS RD	123+77	131+50	R	-	-	50.16	8	656	-	-	-	-	-	-	-	-	-
IL 25/STEARNS RD	131+50	146+93	L	-	-	0.00	-	-	-	1	-	-	-	-	0.044	-	288
IL 25/STEARNS RD	131+50	146+93	R	36	1571.56	74.10	-	1089	-	11	-	-	1	-	0.011	-	-
BREWSTER CREEK				-	-	0.00	216	-	-	-	-	-	-	-	-	100	576
UPRR SF	2000+80	2009+88	L/R	850	4816.66	0.00	-	825	-	-	-	-	-	-	-	-	-
UPRR SF	1993+46	2000+80	L/R	-	3455.58	0.00	-	685	-	-	-	-	-	-	-	-	-
TOTAL				1176	12609	212.04	338	3,671	3	26	0	0	2	0	0.14	100	1,440

STAGE 1A-1				20101000	28001100	28000250	28000305	28000400	28000500	28000510	28100105	X0322916	X0322917	X0322918	X0326694	XX005968	Z0013796
LOCATION				TEMPORARY FENCE	TEMPORARY EROSION CONTROL BLANKET	TEMPORARY EROSION CONTROL SEEDING	TEMPORARY DITCH CHECK	PERIMETER EROSION BARRIER	INLET & PIPE PROTECTION	INLET FILTERS	STONE RIPRAP, CLASS A3	PROPOSED STORM SEWER CONNECTION TO EXISTING STORM SEWER	PROPOSED STORM SEWER CONNECTION TO EXISTING MANHOLE	PROPOSED MANHOLE/CATCH BASIN CONNECTION OVER EXISTING STORM SEWER	PLUG EXISTING STORM SEWER	TURBIDITY CURTAIN	SEDIMENT CONTROL, STABILIZED CONSTRUCTION ENTRANCE
Road	Start STA	End STA	SIDE	FOOT	SQ YD	POUND	FOOT	FOOT	EACH	EACH	SQ YD	EACH	EACH	EACH	CU YD	SQ YD	SQYD
IL-25/STEARNS	105+00	118+00	L	228	46.55	33.06	-	257	-	10	15	-	5	1	0.0666	-	288
IL-25/STEARNS	105+00	118+00	R	-	124.68	44.46	24	-	1	5	15	-	-	-	0.0222	-	288
TOTAL				228	171	77.52	24	257	1	15	30	0	5	1	0.09	0	576

STAGE 1A-2				20101000	28001100	28000250	28000305	28000400	28000500	28000510	28100105	X0322916	X0322917	X0322918	X0326694	XX005968	Z0013796
LOCATION				TEMPORARY FENCE	TEMPORARY EROSION CONTROL BLANKET	TEMPORARY EROSION CONTROL SEEDING	TEMPORARY DITCH CHECK	PERIMETER EROSION BARRIER	INLET & PIPE PROTECTION	INLET FILTERS	STONE RIPRAP, CLASS A3	PROPOSED STORM SEWER CONNECTION TO EXISTING STORM SEWER	PROPOSED STORM SEWER CONNECTION TO EXISTING MANHOLE	PROPOSED MANHOLE/CATCH BASIN CONNECTION OVER EXISTING STORM SEWER	PLUG EXISTING STORM SEWER	TURBIDITY CURTAIN	SEDIMENT CONTROL, STABILIZED CONSTRUCTION ENTRANCE
Road	Start STA	End STA	SIDE	FOOT	SQ YD	POUND	FOOT	FOOT	EACH	EACH	SQ YD	EACH	EACH	EACH	CU YD	SQ YD	SQYD
IL-25/STEARNS	106+62	117+00	L	215	-	5.70	-	-	-	-	-	-	-	-	-	-	288
IL-25/STEARNS	106+62	117+00	R	-	-	50.16	16	-	-	2	-	-	2	-	-	-	288
TOTAL				215	0	55.86	16	0	0	2	0	0	2	0	0	0	576

STAGE 1C				20101000	28001100	28000250	28000305	28000400	28000500	28000510	28100105	X0322916	X0322917	X0322918	X0326694	XX005968	Z0013796
LOCATION				TEMPORARY FENCE	TEMPORARY EROSION CONTROL BLANKET	TEMPORARY EROSION CONTROL SEEDING	TEMPORARY DITCH CHECK	PERIMETER EROSION BARRIER	INLET & PIPE PROTECTION	INLET FILTERS	STONE RIPRAP, CLASS A3	PROPOSED STORM SEWER CONNECTION TO EXISTING STORM SEWER	PROPOSED STORM SEWER CONNECTION TO EXISTING MANHOLE	PROPOSED MANHOLE/CATCH BASIN CONNECTION OVER EXISTING STORM SEWER	PLUG EXISTING STORM SEWER	TURBIDITY CURTAIN	SEDIMENT CONTROL, STABILIZED CONSTRUCTION ENTRANCE
Road	Start STA	End STA	SIDE	FOOT	SQ YD	POUND	FOOT	FOOT	EACH	EACH	SQ YD	EACH	EACH	EACH	CU YD	SQ YD	SQYD
Gilbert St.	300+00	307+80	L	-	-	141.36	-	-	-	4	-	-	-	-	-	-	-
Gilbert St.	300+00	307+80	R	-	-	22.8	-	747	-	5	-	-	-	-	-	-	-
IL-25/STEARNS	117+74	123+77	L	-	-	0	-	385	-	-	-	-	-	-	-	-	288
IL-25/STEARNS	117+74	123+77	R	-	-	0	-	-	-	-	-	-	-	-	0.0111	-	-
IL-25/STEARNS	123+77	131+50	L	-	-	0	-	-	-	1	-	-	1	-	-	-	-
IL-25/STEARNS	131+50	146+93	L	170	-	111.72	-	966	-	11	-	6	8	1	0.0333	-	864
IL-25/STEARNS	131+50	146+93	R	-	-	0	-	-	-	1	-	-	-	1	-	-	-
BREWSTER CREEK				-	-	0	-	-	-	-	-	-	-	-	-	-	-
TOTAL				170	0	275.88	0	2,098	0	22	0	6	9	2	0.04	0	1,152

**SCHEDULED CONT
ON NEXT SHEET**

FILE NAME =	DESIGNED - AAF	REVISED -
... \0163598-sht-schedule-05.dgn	DRAWN - TMB	REVISED -
USER NAME = tblank	CHECKED - JMM	REVISED -
PLOT DATE = 1/17/2013	DATE - 01/18/2013	REVISED -



**STATE OF ILLINOIS
DIVISION OF TRANSPORTATION**

SCHEDULE OF QUANTITIES

SCALE: NTS SHEET NO. 5 OF 8 SHEETS STA. TO STA.

F.A.P. RTE.	SECTION	COUNTY	TOTAL SHEETS	SHEET NO.
361	06-00214-18-RP	KANE	451	39
CONTRACT NO. 63598			[ILLINOIS] FED. AID PROJECT	

TEMPORARY EROSION CONTROL SCHEDULE CONT.

STAGE 2-1

LOCATION				20101000	28001100	28000250	28000305	28000400	28000500	28000510	28100105	X0322916	X0322917	X0322918	X0326694	XX005968	Z0013796
TEMPORARY FENCE				TEMPORARY EROSION CONTROL BLANKET	TEMPORARY EROSION CONTROL SEEDING	TEMPORARY DITCH CHECK	PERIMETER EROSION BARRIER	INLET & PIPE PROTECTION	INLET FILTERS	STONE RIPRAP, CLASS A3	PROPOSED STORM SEWER CONNECTION TO EXISTING STORM SEWER	PROPOSED STORM SEWER CONNECTION TO EXISTING MANHOLE	PROPOSED MANHOLE/CATCH BASIN CONNECTION OVER EXISTING STORM SEWER	PLUG EXISTING STORM SEWER	TURBIDITY CURTAIN	SEDIMENT CONTROL, STABILIZED CONSTRUCTION ENTRANCE	
Road	Start STA	End STA	SIDE	FOOT	SQ YD	POUND	FOOT	FOOT	EACH	EACH	SQ YD	EACH	EACH	EACH	CU YD	SQ YD	SQYD
IL-25/STEARNS	102+00	110+00	L	-	-	54.72	-	930	-	9	15	-	-	-	-	-	576
IL-25/STEARNS	102+00	110+00	R	-	116.16	55.86	-	-	1	5	24	2	-	-	-	-	-
IL-25/STEARNS	110+00	118+00	L	250	-	0	-	-	-	-	15	5	-	-	-	-	-
IL-25/STEARNS	110+00	118+00	R	-	-	31.92	8	-	2	7	24	1	-	-	-	-	288
TOTAL				250	116	142.50	8	930	3	21	78	8	0	0	0	0	864

STAGE 2

LOCATION				20101000	28001100	28000250	28000305	28000400	28000500	28000510	28100105	X0322916	X0322917	X0322918	X0326694	XX005968	Z0013796
TEMPORARY FENCE				TEMPORARY EROSION CONTROL BLANKET	TEMPORARY EROSION CONTROL SEEDING	TEMPORARY DITCH CHECK	PERIMETER EROSION BARRIER	INLET & PIPE PROTECTION	INLET FILTERS	STONE RIPRAP, CLASS A3	PROPOSED STORM SEWER CONNECTION TO EXISTING STORM SEWER	PROPOSED STORM SEWER CONNECTION TO EXISTING MANHOLE	PROPOSED MANHOLE/CATCH BASIN CONNECTION OVER EXISTING STORM SEWER	PLUG EXISTING STORM SEWER	TURBIDITY CURTAIN	SEDIMENT CONTROL, STABILIZED CONSTRUCTION ENTRANCE	
Road	Start STA	End STA	SIDE	FOOT	SQ YD	POUND	FOOT	FOOT	EACH	EACH	SQ YD	EACH	EACH	EACH	CU YD	SQ YD	SQYD
IL-25/STEARNS	117+00	123+21.69	L	-	525.1	11.40	-	-	-	-	-	3	2	-	-	-	-
IL-25/STEARNS	117+00	123+21.69	R	-	778.3	55.86	8	-	-	11	-	1	-	-	-	-	-
IL-25/STEARNS	123+21.69	131+21.68	L	-	-	0.00	-	-	-	1	-	1	4	-	-	-	-
IL-25/STEARNS	123+21.69	131+21.68	R	-	197.5	75.24	72	711.0	1	7	-	1	-	-	-	-	288
EXUPRR	20008+49.91	20012+00.00	L	-	-	0.00	-	-	-	-	-	-	-	-	-	-	-
EXUPRR	2008+49.91	20012+00	R	-	-	0.00	-	-	-	-	-	-	-	-	-	-	-
TOTAL				0	1,501	142.50	80	711	1	19	0	6	6	0	0	0	288

STAGE 3

LOCATION				20101000	28001100	28000250	28000305	28000400	28000500	28000510	28100105	X0322916	X0322917	X0322918	X0326694	XX005968	Z0013796
TEMPORARY FENCE				TEMPORARY EROSION CONTROL BLANKET	TEMPORARY EROSION CONTROL SEEDING	TEMPORARY DITCH CHECK	PERIMETER EROSION BARRIER	INLET & PIPE PROTECTION	INLET FILTERS	STONE RIPRAP, CLASS A3	PROPOSED STORM SEWER CONNECTION TO EXISTING STORM SEWER	PROPOSED STORM SEWER CONNECTION TO EXISTING MANHOLE	PROPOSED MANHOLE/CATCH BASIN CONNECTION OVER EXISTING STORM SEWER	PLUG EXISTING STORM SEWER	TURBIDITY CURTAIN	SEDIMENT CONTROL, STABILIZED CONSTRUCTION ENTRANCE	
Road	Start STA	End STA	SIDE	FOOT	SQ YD	POUND	FOOT	FOOT	EACH	EACH	SQ YD	EACH	EACH	EACH	CU YD	SQ YD	SQYD
IL-25/STEARNS	110+00	118+00	M	-	-	46.74	32	-	-	-	-	-	-	-	-	-	-
IL-25/STEARNS	118+00	124+00	L	459	-	28.50	-	-	4	-	-	-	-	4	-	-	-
IL-25/STEARNS	118+00	124+00	M	-	-	25.08	16	-	-	-	-	-	-	-	-	-	-
IL-25/STEARNS	124+00	130+00	M	-	-	21.66	40	-	-	-	-	-	-	-	-	-	-
IL-25/STEARNS	130+00	142+40	L	-	-	27.36	-	-	-	-	-	2	-	-	-	-	-
IL-25/STEARNS	130+00	142+40	R	-	-	0.00	-	-	1	3	-	-	-	-	-	-	-
IL-25/STEARNS	130+00	142+40	M	-	-	0.00	24	-	-	1	-	-	-	-	-	-	-
BREWSTER CREEK				-	-	0.00	-	-	-	-	-	-	-	-	-	-	-
TOTAL				459	0	149.34	112	0	1	8	0	2	0	4	0	0	0
TOTAL				2498	14,398	1,056	578	7,667	9	113	108	22	24	7	0.30	100	4,896

FILE NAME =	DESIGNED - AAF	REVISED -
...\\0163598-sht-schedule-06.dgn	DRAWN - TMB	REVISED -
USER NAME = tblank	CHECKED - JMM	REVISED -
PLOT DATE = 1/17/2013	DATE - 01/18/2013	REVISED -



STATE OF ILLINOIS
DIVISION OF TRANSPORTATION

SCHEDULE OF QUANTITIES

SCALE: NTS SHEET NO. 6 OF 8 SHEETS STA. TO STA.

F.A.P. RTE.	SECTION	COUNTY	TOTAL SHEETS	SHEET NO.
361	06-00214-18-RP	KANE	451	40
CONTRACT NO. 63598			ILLINOIS FED. AID PROJECT	

EARTHWORK SCHEDULE

LOCATION	20200100		21101505			X000366	
	EARTH EXCAVATION VOLUME (CU YD)	EXCAVATION VOLUME TO BE USED IN EMBANKMENT, ADJUSTED FOR 15% SHRINKAGE (CU YD)	EMBANKMENT VOLUME (CU YD)	EARTHWORK BALANCE WASTE (+) OR SHORTAGE (-) VOLUME (CU YD)	TOPSOIL EXCAVATION AND PLACEMENT	CLAY LINER PLACEMENT 8"	
ROAD	Station From	Station To					
UPRR - Shoo-fly	20004+50.00	20015+50.00	1,958	1,665	12,185	-10,520	
UPRR SHOO-FLY TOTAL:			1,958	1,665	12,185	-10,520**	

Stearns Road Stage 1	103+00.00	145+00.00	24,379	20722	7,885	12,837	1,384	3,244
North Stearns Road	606+25.00	608+00.00	359	305	149	156	69	
Gilbert Street	301+25.00	307+50.00	7,681	6529	427	6,103	491	
STAGE 1 TOTAL:			32,419	27,556	8,461	19,095	1,943	3,244

Stearns Road Stage 2	103+00.00	145+00.00	28,563	24278	2,914	21,365	2,266	2,994
UPRR	20004+50.00	20026+00.00	13,782	11714	2,797	8,917	1,687	
STAGE 2 TOTAL:			42,344	35,993	5,711	30,282	3,953	2,994

PROJECT TOTAL:			76,680	65,178	27,525	37,653	5,896	6,238
----------------	--	--	--------	--------	--------	--------	-------	-------

**NOTE: Due to the need to construct the UPRR Shoo-Fly embankment first, the embankment required shall be paid for as Pay Item 20400800 - Furnished Excavation

Topsoil Excavation and Placement will include the topsoil stripping (4197 cy) and topsoil placement (3620 cy). There will be a surplus of 577 cy of topsoil.

TEMPORARY ACCESS SCHEDULE

Location	Station	OFFSET	STAGE	X4021000	X4022000	X4023000	X4024100	40201000
				TEMPORARY ACCESS (PRIVATE ENTRANCE) (EACH)	TEMPORARY ACCESS (COMMERCIAL ENTRANCE) (EACH)	TEMPORARY ACCESS (ROAD) (EACH)	TEMPORARY ACCESS (WINTERIZE) (SQ YD)	AGGREGATE FOR TEMPORARY ACCESS (TON)
IL 25/STEARNS RD	121+24	50' LT	Stage 1A	1			119.37	
IL 25/STEARNS RD	115+74	60' RT	Stage 2-1	1				
IL 25	105+31	45' RT	Stage 2-2		1			
IL 25/STEARNS RD	131+58	100' LT	Stage 1A		1		276.35	509.22
IL 25/STEARNS RD	130+82	18' RT	Stage 1C					1863.09
GILBERT ST	302+00	32' RT	Stage 1C		1			
GILBERT ST	305+95	20' RT	Stage 1C		1			121.66
IL 25/STEARNS RD	131+40	84' RT	Stage 2		1			640.19
IL 25	106+72	80' RT	Stage 2-2		1			
GILBERT ST	301+50	0	Stage 1C			1		
IL 25	102+50	0	Stage 2-2			1		
TOTAL				2	6	2	396	3135

TEMPORARY CONCRETE BARRIER SCHEDULE

LOCATION	STAGE	STATION		70400100
		FROM	TO	TEMPORARY CONCRETE BARRIER
IL-25	1A	124+50.00	132+00.00	775
IL-25	Prestage	122+40.00	123+40.00	100
IL-25	1A	122+30.00	123+55.00	125
IL-25	1A	107+00.00	109+00.00	200
TOTAL				1200

TEMPORARY PAVEMENT SCHEDULE

LOCATION	STATION		OFFSET	RT/LT	20062456	35101800	48101200	40600300
	FROM	TO			TEMPORARY PAVEMENT (SQ YD)	AGGREGATE BASE COURSE, TYPE B 6" (SQ YD)	AGGREGATE SHOULDER, TYPE B (TON)	AGGREGATE (PRIME COAT) (TON)
IL 25	105+94	109+11	27.52	LT	309.80	309.80	73.9	7.39
IL-25/STEARNS RD	121+65	123+36	6.45	RT	74.94	74.94	110.6	11.06
IL 25/STEARNS RD	125+63	130+34	28.6	RT	476.51	476.51		
STEARNS RD	603+70	607+88	0	0	739.93	739.93		
IL 25/STEARNS RD	118+84	122+68	37.26	LT	437.60	437.60		
IL 25/STEARNS RD	122+68	123+32	49	LT	63.10	63.10		
IL 25/STEARNS RD	130+77	134+11	24.87	RT	739.33	739.33		
IL 25/STEARNS RD	140+00	142+03	15	LT	269.56	269.56		
TOTAL					3111	3111	185	19

TEMPORARY PAVEMENT (VARIABLE DEPTH) SCHEDULE

LOCATION	STATION		OFFSET	RT/LT	STAGE	AREA (SQ YD)	AVG DEPTH (FOOT)	Z0062458
	FROM	TO						TEMPORARY PAVEMENT (VARIABLE DEPTH) (TON)
IL 25/STEARNS RD	110+90	111+00	10	LT	Stage 1A-1	26.63	6.25	9.32
IL 25/STEARNS RD	109+13	109+99	0	0	Stage 1A-2	56.42	6	18.96
TOTAL								29

TEMPORARY IMPACT ATTENUATOR SCHEDULE

LOCATION	STA	OFFSET	STAGE	Z0030240	Z0030340
				IMPACT ATTENUATORS, TEMPORARY (NON-REDIRECTIVE), TEST LEVEL 2	IMPACT ATTENUATORS, RELOCATE (NON-REDIRECTIVE), TEST LEVEL 2
IL 25	106+97.00	5.88 LT	STAGE 1A	1	
IL 25/STEARNS RD	109+00.00	4.95 LT	STAGE 1A	1	
IL 25/STEARNS RD	122+40.00	7.54 RT	PRESTAGE	1	
IL 25/STEARNS RD	123+38.00	8.30 RT	PRESTAGE	1	
IL 25/STEARNS RD	122+36.00	49.68 RT	STAGE 1A	1	
IL 25/STEARNS RD	123+54.00	51.60 RT	STAGE 1A	1	
IL 25/STEARNS RD	124+50.00	7.19 LT	STAGE 1A	1	
IL 25/STEARNS RD	132+00.00	20.79 LT	STAGE 1A	1	1
TOTAL				8	1

TEMPORARY PAVEMENT MARKING SCHEDULE

STAGE	70300210	70300220	70300240	70300260	70300280	70301000	78100200							
	TEMPORARY PAVEMENT MARKING LETTERS AND SYMBOLS (SQ FT)	TEMPORARY PAVEMENT MARKING - LINE 4" (FOOT)	TEMPORARY PAVEMENT MARKING - LINE 6" (FOOT)	TEMPORARY PAVEMENT MARKING - LINE 12" (FOOT)	TEMPORARY PAVEMENT MARKING - LINE 24" (FOOT)	WORK ZONE PAVEMENT MARKING REMOVAL (SQ FT)	TEMPORARY RAISED REFLECTIVE PAVEMENT MARKER (EACH)							
Prestage	0.00	5416.86	1146.78	0.00	0.00	945.66								
Stage 1A	178.20	6116.44	1205.94	106.88	66.07	1019.72	153.00							
Stage 1A-1	105.60	7828.35	937.25	0.00	34.82	432.35								
Stage 1A-2	36.30	2535.47	358.13	0.00	12.00		40.00							
Stage 1C	254.10	9122.22	1822.45	1341.20	34.35	2757.87	83.00							
Stage 2	250.80	9529.22	1751.08	508.82	82.77	2453.85	141.00							
Stage 2-1	141.90	1990.79	522.94	0.00	12.00		42.00							
Stage 2-2	108.90	2054.80	0.00	0.00	0.00	704.88	12.00							
Stage 2-3	181.50	8675.07	2071.72	0.00	34.52	403.33	86.00							
Stage 2-4	0.00	3091.06	0.00	0.00	30.98	1164.42	41.00							
Stage 3	0.00	5110.26	1264.17	0.00	87.47	2106.80	140.00							
TOTAL								1258	61471	11081	1957	395	11989	738

FILE NAME =	DESIGNED - AAF	REVISED - ADDENDUM 04/15/2013
... \D163598-sht-schedule-07.dgn	DRAWN - TMB	REVISED -
USER NAME = toddblank	CHECKED - JMM	REVISED -
PLOT DATE = 4/15/2013	DATE - 01/18/2013	REVISED -



STATE OF ILLINOIS
DIVISION OF TRANSPORTATION

SCHEDULE OF QUANTITIES

SCALE: NTS SHEET NO. 7 OF 8 SHEETS STA. TO STA.

F.A.P. RTE.	SECTION	COUNTY	TOTAL SHEETS	SHEET NO.
361	06-00214-18-RP	KANE	451	41
CONTRACT NO. 63598				
ILLINOIS FED. AID PROJECT				

LANDSCAPING SCHEDULE

LOCATION			25000210	25000400	25000700	XX006701	XX006709
			SEEDING CLASS 2A	NITROGEN FERTILIZER NUTRIENT	AGRICULTURAL GROUND LIMESTONE	SEEDING, CLASS 4 (MODIFIED) MESIC PRAIRIE	SEEDING, CLASS 5 (MODIFIED) MESIC PRAIRIE
ROAD	STATION TO	STATION FROM	ACRE	POUND	TON	ACRE	ACRE
IL-25/STEARNS	102+52.19	110+00.00	1.00	90	2	0.07	0.07
IL-25/STEARNS	110+00.00	118+00.00	1.15	104	2.3	0.03	0.03
IL-25/STEARNS	118+00.00	123+00.00	1.00	90	2	0.24	0.24
IL-25/STEARNS	123+61.95	131+50.00	0.74	67	1.48	1.04	1.04
IL-25/STEARNS	131+50.00	138+55.00	0.43	39	0.86	0.17	0.17
IL-25/STEARNS	138+55.00	147+82.18	0.86	77	1.72	0.27	0.27
UPRR SF	1994+96.37	2000+10.37		0		0.30	0.30
UPRR SF	2002+00.00	2005+84.24		0		0.30	0.30
GILBERT			0.37	33	0.74		
TOTALS			5.75	518	11.5	2.50	2.50

DRAINAGE REMOVAL SCHEDULE

LOCATION			50105220	60500040	60500050	X0322054	X5510100
			PIPE CULVERT REMOVAL	REMOVING MANHOLES	REMOVING CATCH BASINS	REMOVAL OF PRECAST FLARED END SECTION	STORM SEWER REMOVAL
ROAD	Station From	Station To	(FT)	(EACH)	(EACH)	(EACH)	(FT)
IL-25/STEARNS	102+52.58	108+98.50			2		
IL-25/STEARNS	108+98.50	111+72.64					
IL-25/STEARNS	111+71.64	117+95.62			1	1	102
IL-25/STEARNS	118+28.23	123+12.37		3		2	635
IL-25/STEARNS	124+63.68	130+41.65	126			2	126
IL-25/STEARNS	130+41.65	132+40.38					
IL-25/STEARNS	132+40.38	138+03.06					
IL-25/STEARNS	139+12.85	146+95.06			9		391
GILBERT ST				2	2	1	229
NORTH STEARNS				1	1		
TOTALS			126	6	15	6	1484

REMOVAL SCHEDULE

LOCATION			20100110	20100210	44000200	44000500	44004250	44003100	Z0029999	Z0022800	X0326401	X0327036
			TREE REMOVAL (6 TO 15 UNITS DIAMETER)	TREE REMOVAL (OVER 15 UNITS DIAMETER)	DRIVEWAY PAVEMENT REMOVAL	COMBINATION CURB AND GUTTER REMOVAL	PAVED SHOULDER REMOVAL	MEDIAN REMOVAL	IMPACT ATTENUATOR REMOVAL	FENCE REMOVAL	BARRIER WALL REMOVAL	BIKE PATH REMOVAL
ROAD	Station From	Station To	UNIT	UNIT	(SQ YD)	(FOOT)	(SQ YD)	(1085)	EACH	(12)	(FT)	(SQ YD)
IL-25/STEARNS	102+52.58	108+98.50	68	183	216		683	126		35		
IL-25/STEARNS	108+98.50	111+72.64					89					
IL-25/STEARNS	111+71.64	117+95.62			97		534	303		9		
IL-25/STEARNS	118+28.23	123+12.37			189	30	880		2	14	115	540
IL-25/STEARNS	124+63.68	130+41.65				140	451			6		646
IL-25/STEARNS	130+41.65	132+40.38			988		25					171
IL-25/STEARNS	132+40.38	138+03.06					720					287
IL-25/STEARNS	139+12.85	146+95.06				881	360					
GILBERT ST					517	539	289			117		40
NORTH STEARNS						171	137	1303		56		
TEMP PAVEMENT												
TEMP PAV (VAR D)										210		
TOTALS			68	183	2007	1761	4167	452	2	447	115	1685

FILE NAME =	DESIGNED - AAF	REVISED -
...N163598-sht-schedule-08.dgn	DRAWN - TMB	REVISED -
USER NAME = tblank	CHECKED - JMM	REVISED -
PLOT DATE = 1/17/2013	DATE - 01/18/2013	REVISED -



**STATE OF ILLINOIS
DIVISION OF TRANSPORTATION**

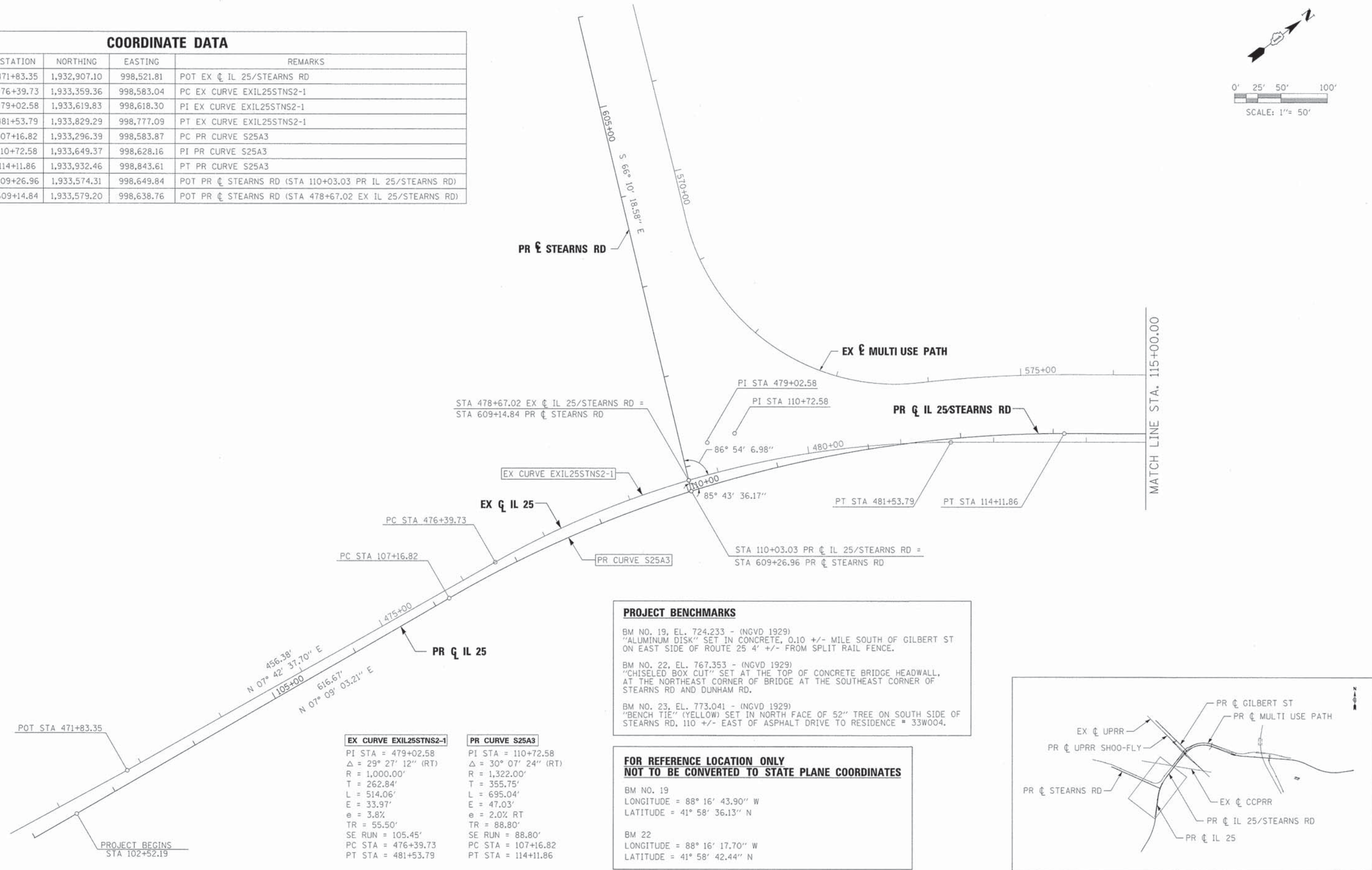
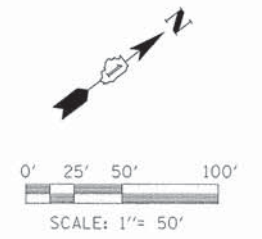
SCHEDULE OF QUANTITIES

SCALE: NTS SHEET NO. 8 OF 8 SHEETS STA. TO STA.

F.A.P. RTE.	SECTION	COUNTY	TOTAL SHEETS	SHEET NO.
361	06-00214-18-RP	KANE	451	42
CONTRACT NO. 63598			ILLINOIS FED. AID PROJECT	

COORDINATE DATA

STATION	NORTHING	EASTING	REMARKS
471+83.35	1,932,907.10	998,521.81	POT EX ϕ IL 25/STEARNS RD
476+39.73	1,933,359.36	998,583.04	PC EX CURVE EXIL25STNS2-1
479+02.58	1,933,619.83	998,618.30	PI EX CURVE EXIL25STNS2-1
481+53.79	1,933,829.29	998,777.09	PT EX CURVE EXIL25STNS2-1
107+16.82	1,933,296.39	998,583.87	PC PR CURVE S25A3
110+72.58	1,933,649.37	998,628.16	PI PR CURVE S25A3
114+11.86	1,933,932.46	998,843.61	PT PR CURVE S25A3
609+26.96	1,933,574.31	998,649.84	POT PR ϕ STEARNS RD (STA 110+03.03 PR IL 25/STEARNS RD)
609+14.84	1,933,579.20	998,638.76	POT PR ϕ STEARNS RD (STA 478+67.02 EX IL 25/STEARNS RD)



PROJECT BENCHMARKS

BM NO. 19, EL. 724.233 - (NGVD 1929)
 "ALUMINUM DISK" SET IN CONCRETE, 0.10 +/- MILE SOUTH OF GILBERT ST ON EAST SIDE OF ROUTE 25 4' +/- FROM SPLIT RAIL FENCE.

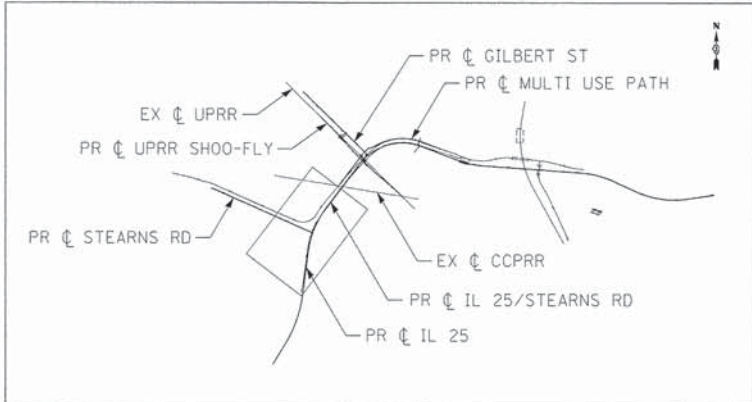
BM NO. 22, EL. 767.353 - (NGVD 1929)
 "CHISELED BOX CUT" SET AT THE TOP OF CONCRETE BRIDGE HEADWALL, AT THE NORTHEAST CORNER OF BRIDGE AT THE SOUTHEAST CORNER OF STEARNS RD AND DUNHAM RD.

BM NO. 23, EL. 773.041 - (NGVD 1929)
 "BENCH TIE" (YELLOW) SET IN NORTH FACE OF 52" TREE ON SOUTH SIDE OF STEARNS RD, 110 +/- EAST OF ASPHALT DRIVE TO RESIDENCE # 33W004.

**FOR REFERENCE LOCATION ONLY
 NOT TO BE CONVERTED TO STATE PLANE COORDINATES**

BM NO. 19
 LONGITUDE = 88° 16' 43.90" W
 LATITUDE = 41° 58' 36.13" N

BM 22
 LONGITUDE = 88° 16' 17.70" W
 LATITUDE = 41° 58' 42.44" N



FILE NAME =	DESIGNED - AAF	REVISED -
...ND163598-sht-ATB-01.dgn	DRAWN - TMB	REVISED -
USER NAME = tblank	CHECKED - JMM	REVISED -
PLOT DATE = 1/17/2013	DATE - 01/18/2013	REVISED -



**STATE OF ILLINOIS
 DIVISION OF TRANSPORTATION**

ALIGNMENT, TIES & BENCHMARKS	
SCALE: 1"=50'	SHEET NO. 1 OF 6 SHEETS STA. 102+52.19 TO STA. 115+00.00

F.A.P. RTE.:	SECTION	COUNTY	TOTAL SHEETS	SHEET NO.
361	06-00214-18-RP	KANE	451	43
CONTRACT NO. 63598			[ILLINOIS] FED. AID PROJECT	

PR CURVE 3AMUPSTNS-21
 PI STA = 577+59.80
 $\Delta = 4^\circ 40' 10.65''$ (RT)
 R = 295.00'
 T = 12.03'
 L = 24.04'
 E = 0.25'
 e = N/A
 TR = N/A
 SE RUN = N/A
 PC STA = 577+47.77
 PT STA = 577+71.81

PR CURVE 3AMUPSTNS-23
 PI STA = 578+17.34
 $\Delta = 8^\circ 34' 00.02''$ (LT)
 R = 300.00'
 T = 22.47'
 L = 44.85'
 E = 0.84'
 e = N/A
 TR = N/A
 SE RUN = N/A
 PC STA = 577+94.87
 PT STA = 578+39.73

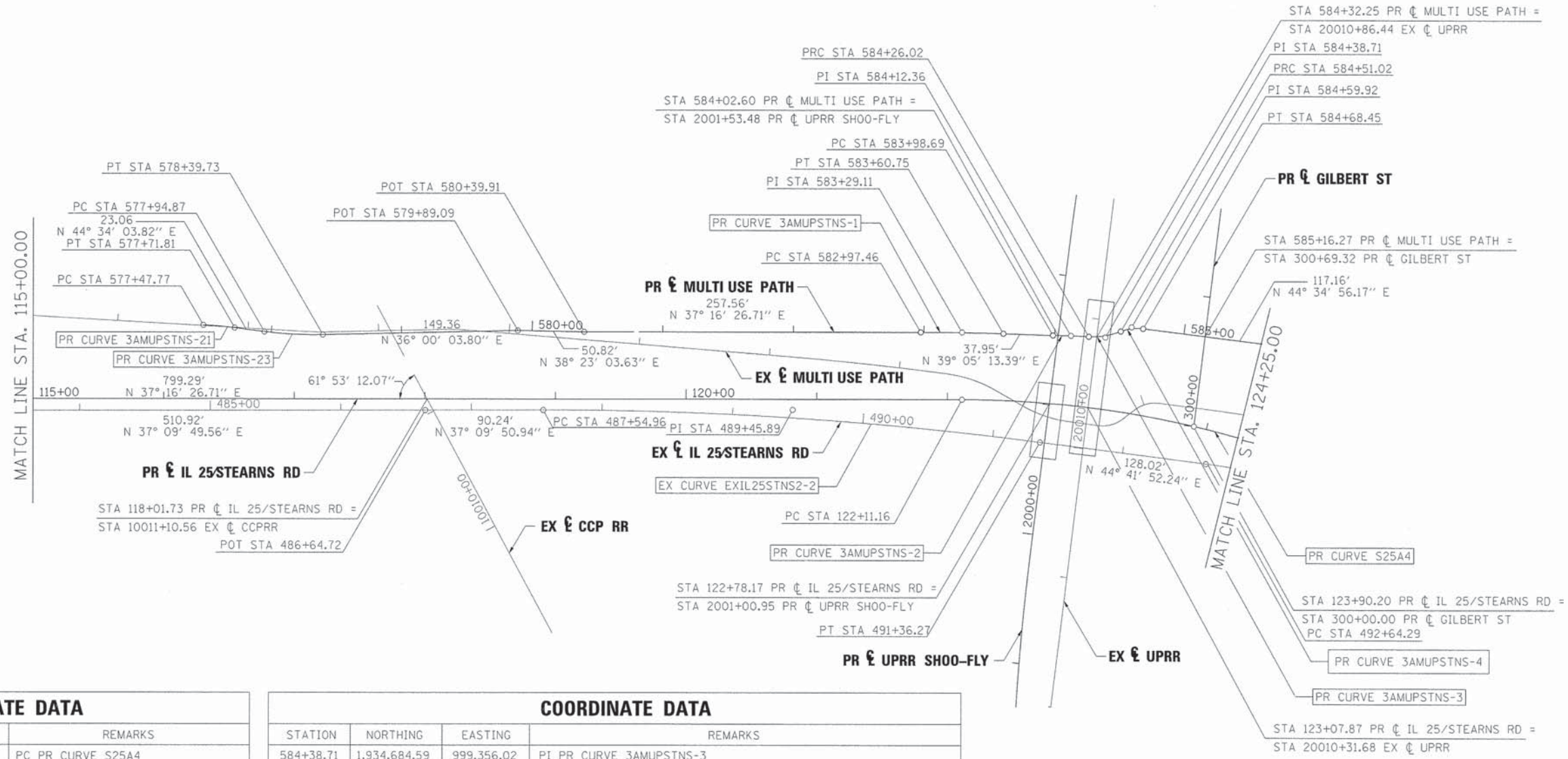
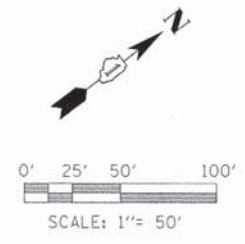
PR CURVE 3AMUPSTNS-1
 PI STA = 583+29.11
 $\Delta = 1^\circ 48' 46.68''$ (RT)
 R = 2,000.00'
 T = 31.64'
 L = 63.28'
 E = 0.25'
 e = N/A
 TR = N/A
 SE RUN = N/A
 PC STA = 582+97.46
 PT STA = 583+60.75

PR CURVE 3AMUPSTNS-2
 PI STA = 584+12.36
 $\Delta = 0^\circ 46' 58.90''$ (RT)
 R = 2,000.00'
 T = 13.67'
 L = 27.33'
 E = 0.05'
 e = N/A
 TR = N/A
 SE RUN = N/A
 PC STA = 583+98.69
 PRC STA = 584+26.02

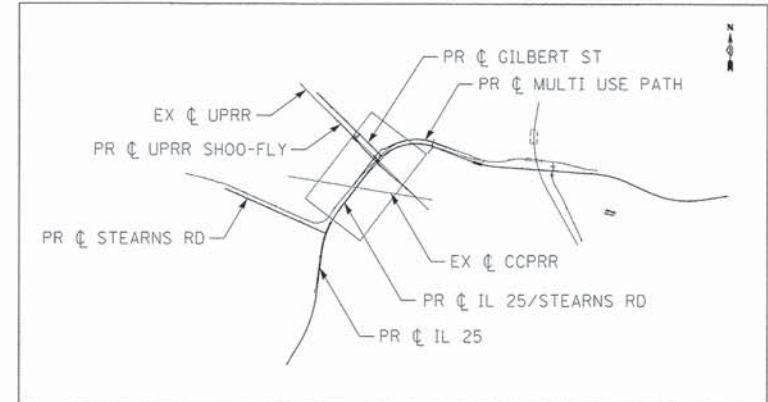
PR CURVE 3AMUPSTNS-3
 PI STA = 584+38.71
 $\Delta = 23^\circ 48' 26.40''$ (LT)
 R = 60.17'
 T = 12.68'
 L = 25.00'
 E = 1.32'
 e = N/A
 TR = N/A
 SE RUN = N/A
 PRC STA = 584+26.02
 PRC STA = 584+51.02

PR CURVE 3AMUPSTNS-4
 PI STA = 584+59.92
 $\Delta = 28^\circ 31' 11.27''$ (RT)
 R = 35.00'
 T = 8.90'
 L = 17.42'
 E = 1.11'
 e = N/A
 TR = N/A
 SE RUN = N/A
 PC STA = 584+51.02
 PT STA = 584+68.45

EX CURVE EXIL25STNS2-2
 PI STA = 489+45.89
 $\Delta = 7^\circ 32' 01.29''$ (RT)
 R = 2900.00'
 T = 190.93'
 L = 381.31'
 E = 6.28'
 e = N/A
 TR = N/A
 SE RUN = N/A
 PC STA = 487+54.96
 PT STA = 491+36.27



SEE SHEET 4 OF 6 FOR UPRR ALIGNMENTS



COORDINATE DATA			
STATION	NORTHING	EASTING	REMARKS
122+11.16	1,934,568.50	999,327.69	PC PR CURVE S25A4
577+47.77	1,934,140.53	998,930.82	PC PR CURVE 3AMUPSTNS-21
577+59.80	1,934,149.75	998,938.54	PI PR CURVE 3AMUPSTNS-21
577+71.81	1,934,158.32	998,946.98	PT PR CURVE 3AMUPSTNS-21
577+94.87	1,934,174.75	998,963.16	PC PR CURVE 3AMUPSTNS-23
578+17.34	1,934,190.76	998,978.93	PI PR CURVE 3AMUPSTNS-23
578+39.73	1,934,208.94	998,992.14	PT PR CURVE 3AMUPSTNS-23
579+89.09	1,934,329.77	999,079.93	POT PR & MULTI USE PATH
580+39.91	1,934,369.61	999,111.49	POT PR & MULTI USE PATH
582+97.46	1,934,574.56	999,267.47	PC PR CURVE 3AMUPSTNS-1
583+29.11	1,934,599.74	999,286.64	PI PR CURVE 3AMUPSTNS-1
583+60.75	1,934,624.30	999,306.59	PT PR CURVE 3AMUPSTNS-1
583+98.69	1,934,653.76	999,330.52	PC PR CURVE 3AMUPSTNS-2
584+12.36	1,934,664.37	999,339.13	PI PR CURVE 3AMUPSTNS-2
584+26.02	1,934,674.85	999,347.89	PRC PR CURVE 3AMUPSTNS-2

COORDINATE DATA			
STATION	NORTHING	EASTING	REMARKS
584+38.71	1,934,684.59	999,356.02	PI PR CURVE 3AMUPSTNS-3
584+51.02	1,934,696.78	999,359.53	PRC PR CURVE 3AMUPSTNS-3
584+59.92	1,934,705.32	999,361.99	PI PR CURVE 3AMUPSTNS-4
584+68.45	1,934,711.66	999,368.24	PT PR CURVE 3AMUPSTNS-4
10011+10.56	1,934,242.70	999,079.73	POT EX & CCPRR (STA 118+01.73 PR IL 25/STEARNS RD)
2001+00.95	1,934,620.01	999,370.51	POT PR & UPRR SHOO-FLY (STA 122+78.17 PR IL 25/STEARNS RD)
2001+53.49	1,934,656.79	999,332.98	POT PR & UPRR SHOO-FLY (STA 584+02.60 PR MULTI USE PATH)
20010+31.68	1,934,641.63	999,390.87	POT EX & UPRR (STA 123+07.87 PR IL 25/STEARNS RD)
20010+86.44	1,934,679.83	999,351.63	POT EX & UPRR (STA 584+32.25 PR MULTI USE PATH)
300+00.00	1,934,697.33	999,451.45	POT PR & GILBERT ST (STA 123+90.20 PR IL 25/STEARNS RD)
300+69.32	1,934,745.72	999,401.81	POT PR & GILBERT ST (STA 585+16.27 PR MULTI USE PATH)
486+64.72	1,934,236.45	999,085.73	POT EX & IL 25/STEARNS RD
487+54.96	1,934,308.36	999,140.25	PC EX CURVE EXIL25STNS2-2
489+45.89	1,934,460.52	999,255.59	PI EX CURVE EXIL25STNS2-2
491+36.27	1,934,596.24	999,389.89	PT EX CURVE EXIL25STNS2-2

FILE NAME = ...\\0163598-shi-ATB-02.dgn	DESIGNED - AAF	REVISED -
USER NAME = tblank	DRAWN - TMB	REVISED -
PLOT DATE = 1/17/2013	CHECKED - JMM	REVISED -
	DATE - 01/18/2013	REVISED -



STATE OF ILLINOIS
 DIVISION OF TRANSPORTATION

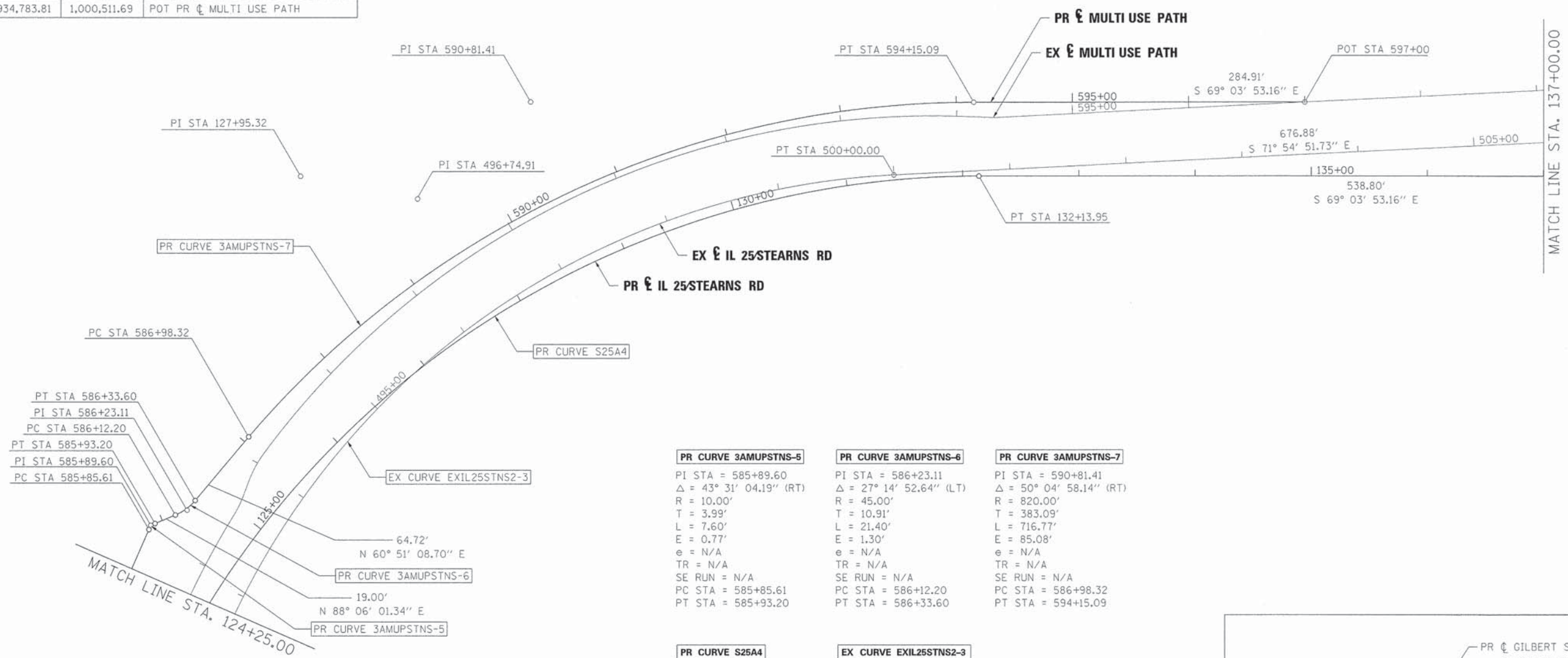
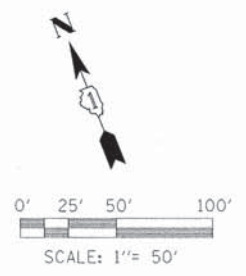
ALIGNMENT, TIES & BENCHMARKS

SCALE: 1"=50' SHEET NO. 2 OF 6 SHEETS STA. 115+00.00 TO STA. 124+25.00

F.A.P. RTE.	SECTION	COUNTY	TOTAL SHEETS	SHEET NO.
361	06-00214-18-RP	KANE	451	44
CONTRACT NO. 63598				
[ILLINOIS] FED. AID PROJECT				

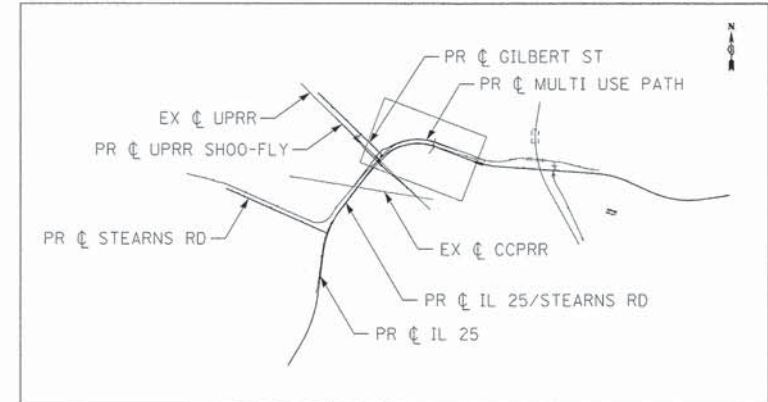
COORDINATE DATA			
STATION	NORTHING	EASTING	REMARKS
127+95.32	1,935,033.35	999,681.47	PI PR CURVE S25A4
132+13.95	1,934,824.62	1,000,227.07	PT PR CURVE S25A4
585+85.61	1,934,795.11	999,450.48	PC PR CURVE 3AMUPSTNS-5
585+89.60	1,934,797.95	999,453.28	PI PR CURVE 3AMUPSTNS-5
585+93.20	1,934,798.08	999,457.27	PT PR CURVE 3AMUPSTNS-5
586+12.20	1,934,798.71	999,476.26	PC PR CURVE 3AMUPSTNS-6
586+23.11	1,934,799.07	999,487.16	PI PR CURVE 3AMUPSTNS-6
586+33.60	1,934,804.39	999,496.68	PT PR CURVE 3AMUPSTNS-6
586+98.32	1,934,835.91	999,553.20	PC PR CURVE 3AMUPSTNS-7
590+81.41	1,935,022.50	999,887.79	PI PR CURVE 3AMUPSTNS-7
594+15.09	1,934,885.61	1,000,245.59	PT PR CURVE 3AMUPSTNS-7
597+00.00	1,934,783.81	1,000,511.69	POT PR CL MULTI USE PATH

COORDINATE DATA			
STATION	NORTHING	EASTING	REMARKS
492+64.29	1,934,687.24	999,479.93	PC EX CURVE EXIL25STNS2-3
496+74.91	1,934,979.11	999,768.74	PI EX CURVE EXIL25STNS2-3
500+00.00	1,934,851.64	1,000,159.07	PT EX CURVE EXIL25STNS2-3



PR CURVE 3AMUPSTNS-5	PR CURVE 3AMUPSTNS-6	PR CURVE 3AMUPSTNS-7
PI STA = 585+89.60	PI STA = 586+23.11	PI STA = 590+81.41
$\Delta = 43^\circ 31' 04.19''$ (RT)	$\Delta = 27^\circ 14' 52.64''$ (LT)	$\Delta = 50^\circ 04' 58.14''$ (RT)
R = 10.00'	R = 45.00'	R = 820.00'
T = 3.99'	T = 10.91'	T = 383.09'
L = 7.60'	L = 21.40'	L = 716.77'
E = 0.77'	E = 1.30'	E = 85.08'
e = N/A	e = N/A	e = N/A
TR = N/A	TR = N/A	TR = N/A
SE RUN = N/A	SE RUN = N/A	SE RUN = N/A
PC STA = 585+85.61	PC STA = 586+12.20	PC STA = 586+98.32
PT STA = 585+93.20	PT STA = 586+33.60	PT STA = 594+15.09

PR CURVE S25A4	EX CURVE EXIL25STNS2-3
PI STA = 127+95.32	PI STA = 496+74.91
$\Delta = 73^\circ 39' 40.14''$ (RT)	$\Delta = 63^\circ 23' 16.03''$ (RT)
R = 780.00'	R = 665.00'
T = 584.16'	T = 410.61'
L = 1002.79'	L = 735.71'
E = 194.50'	E = 116.56'
e = 2.0% RT	e = 6.0%
IN TR = 66.60'	TR = 66.60'
IN SE RUN = 88.80'	SE RUN = 199.80'
OUT TR = 88.80'	PC STA = 492+64.29
OUT SE RUN = 88.80'	PT STA = 500+00.00
PC STA = 122+11.16	
PT STA = 132+13.95	



FILE NAME =	DESIGNED - AAF	REVISED -
... \D163598-sht-ATB-03.dgn	DRAWN - TMB	REVISED -
USER NAME = tmbank	CHECKED - JMM	REVISED -
PLOT DATE = 1/17/2013	DATE - 01/18/2013	REVISED -



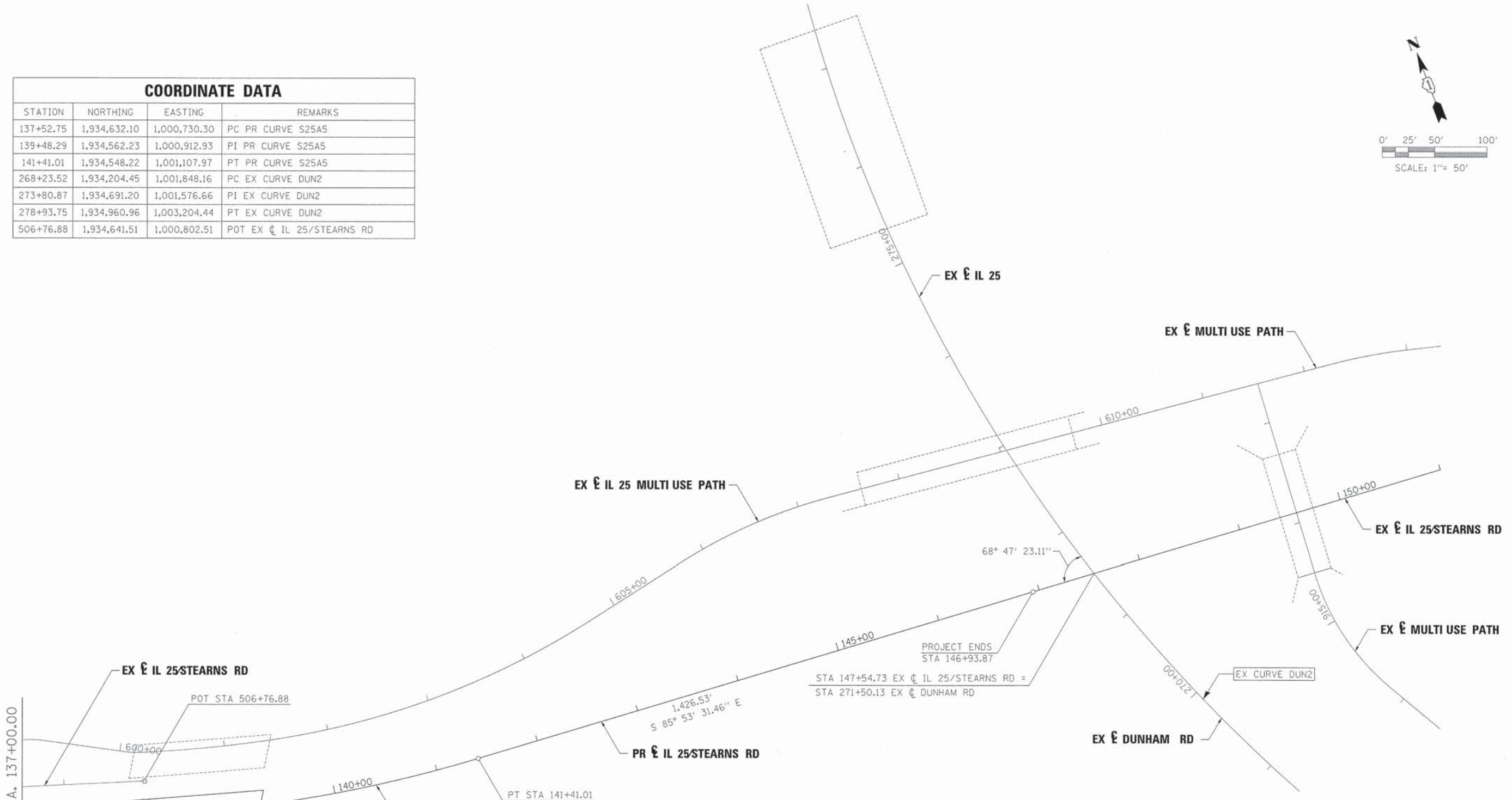
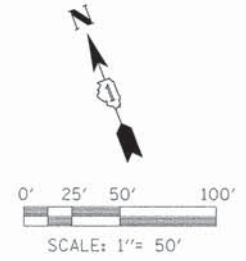
**STATE OF ILLINOIS
DIVISION OF TRANSPORTATION**

ALIGNMENT, TIES & BENCHMARKS

SCALE: 1"=50' SHEET NO. 3 OF 6 SHEETS STA. 124+25.00 TO STA. 137+00.00

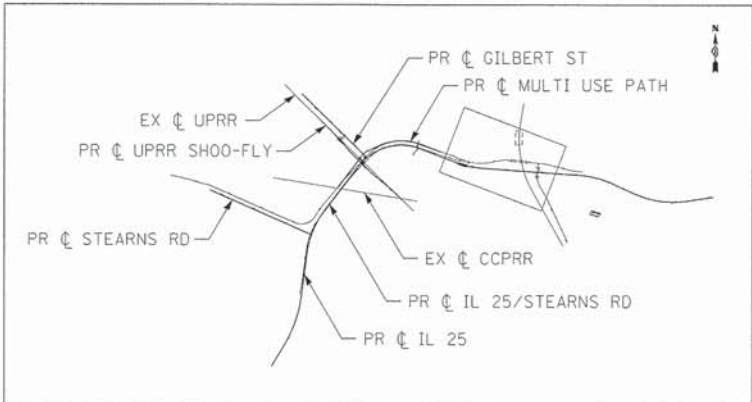
F.A.P. RTE.	SECTION	COUNTY	TOTAL SHEETS	SHEET NO.
361	06-00214-18-RP	KANE	451	45
CONTRACT NO. 63598				
[ILLINOIS] FED. AID PROJECT				

COORDINATE DATA			
STATION	NORTHING	EASTING	REMARKS
137+52.75	1,934,632.10	1,000,730.30	PC PR CURVE S25A5
139+48.29	1,934,562.23	1,000,912.93	PI PR CURVE S25A5
141+41.01	1,934,548.22	1,001,107.97	PT PR CURVE S25A5
268+23.52	1,934,204.45	1,001,848.16	PC EX CURVE DUN2
273+80.87	1,934,691.20	1,001,576.66	PI EX CURVE DUN2
278+93.75	1,934,960.96	1,003,204.44	PT EX CURVE DUN2
506+76.88	1,934,641.51	1,000,802.51	POT EX CL IL 25/STEARNS RD



PR CURVE S25A5
 PI STA = 139+48.29
 $\Delta = 16^\circ 49' 38.31''$ (LT)
 R = 1,322.00'
 T = 195.54'
 L = 388.26'
 E = 14.38'
 $e = 3.5\%$ LT
 TR = 88.80'
 SE RUN = 155.40'
 PC STA = 137+52.75
 PT STA = 141+41.01

EX CURVE DUN2
 PI STA. = 273+80.87
 $\Delta = 39^\circ 29' 05''$ (RT)
 D = $3^\circ 41' 22''$
 R = 1,553.00'
 T = 557.35'
 L = 1,070.23'
 E = 96.98'
 P.C. STA. = 268+23.52
 P.T. STA. = 278+93.75



FILE NAME =	DESIGNED - AAF	REVISED -
... \0163598-sht-ATB-04.dgn	DRAWN - TMB	REVISED -
USER NAME = tblank	CHECKED - JMM	REVISED -
PLOT DATE = 1/17/2013	DATE - 01/18/2013	REVISED -

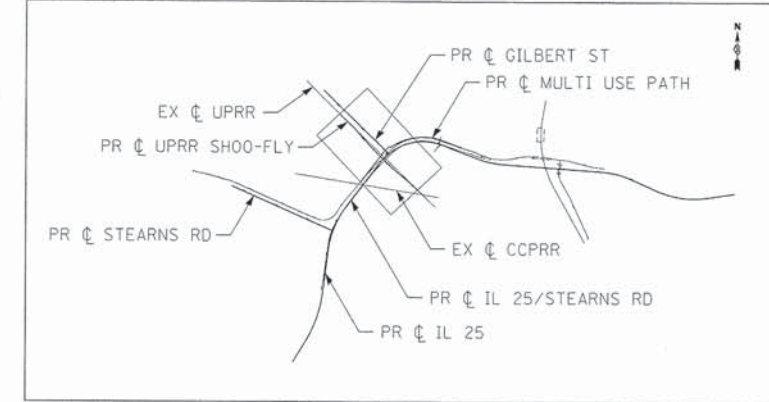
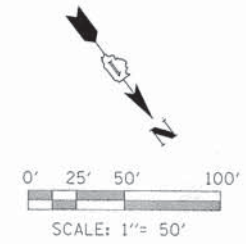
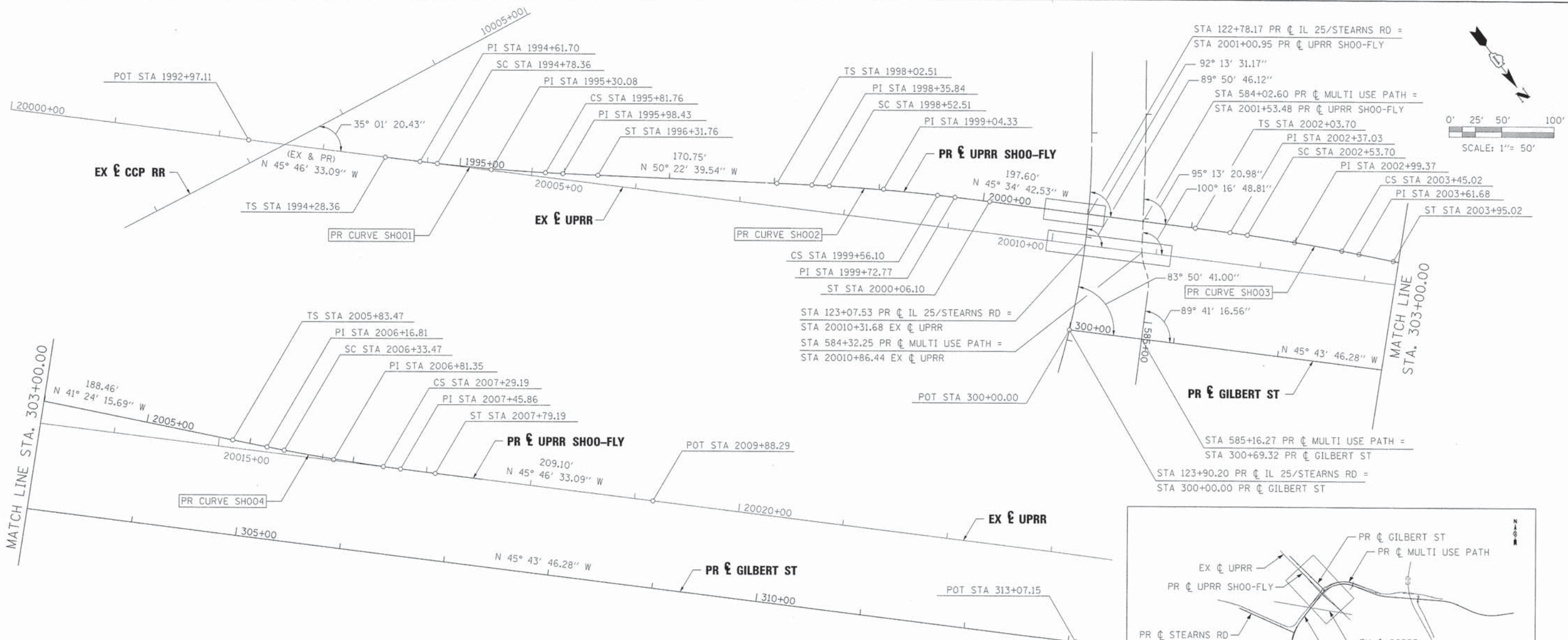


**STATE OF ILLINOIS
 DIVISION OF TRANSPORTATION**

ALIGNMENT, TIES & BENCHMARKS

SCALE: 1"=50' SHEET NO. 4 OF 6 SHEETS STA. 137+00.00 TO STA. 146+93.87

F.A.P. RTE.	SECTION	COUNTY	TOTAL SHEETS	SHEET NO.
361	06-00214-18-RP	KANE	451	46
CONTRACT NO. 63598				
[ILLINOIS] FED. AID PROJECT				



COORDINATE DATA			
STATION	NORTHING	EASTING	REMARKS
300+00.00	1,934,697.33	999,451.45	POT PR CL GILBERT RD
313+07.15	1,935,609.78	998,515.46	POT PR CL GILBERT RD
1992+97.11	1,934,081.35	999,966.54	POT PR CL UPRR STA 20002+28.37 EX UPRR
1994+28.36	1,934,172.90	999,872.48	TS PR CURVE SH001
1994+61.70	1,934,196.15	999,848.59	PI PR CURVE SH001
1994+78.36	1,934,207.61	999,836.50	SC PR CURVE SH001
1995+30.08	1,934,243.20	999,798.97	PI PR CURVE SH001
1995+81.76	1,934,276.70	999,759.56	CS PR CURVE SH001
1995+98.43	1,934,287.49	999,746.87	PI PR CURVE SH001
1996+31.76	1,934,308.75	999,721.19	ST PR CURVE SH001
1998+02.51	1,934,417.64	999,589.67	TS PR CURVE SH002
1998+35.84	1,934,438.90	999,563.99	PI PR CURVE SH002
1998+52.51	1,934,449.69	999,551.30	SC PR CURVE SH002
1999+04.33	1,934,483.26	999,511.82	PI PR CURVE SH002
1999+56.10	1,934,518.91	999,474.22	CS PR CURVE SH002
1999+72.77	1,934,530.38	999,462.13	PI PR CURVE SH002
2000+06.10	1,934,553.63	999,438.24	ST PR CURVE SH002

COORDINATE DATA			
STATION	NORTHING	EASTING	REMARKS
2002+03.70	1,934,691.94	999,297.12	TS PR CURVE SH003
2002+37.03	1,934,715.24	999,273.28	PI PR CURVE SH003
2002+53.70	1,934,727.05	999,261.52	SC PR CURVE SH003
2002+99.37	1,934,759.40	999,229.29	PI PR CURVE SH003
2003+45.02	1,934,793.26	999,198.64	CS PR CURVE SH003
2003+61.68	1,934,805.62	999,187.45	PI PR CURVE SH003
2003+95.02	1,934,830.62	999,165.40	ST PR CURVE SH003
2005+83.47	1,934,971.97	999,040.76	TS PR CURVE SH004
2006+16.81	1,934,996.97	999,018.72	PI PR CURVE SH004
2006+33.47	1,935,009.33	999,007.53	SC PR CURVE SH004
2006+81.35	1,935,044.82	998,975.40	PI PR CURVE SH004
2007+29.19	1,935,078.66	998,941.53	CS PR CURVE SH004
2007+45.86	1,935,090.44	998,929.74	PI PR CURVE SH004
2007+79.19	1,935,113.69	998,905.85	ST PR CURVE SH004
2009+88.29	1,935,259.53	998,756.01	POT PR CURVE SH004 (STA 20019+17.59 EX UPRR)

PR SPIRAL IN SH001
 $\Delta = 0^\circ 44' 59.69''$ (LT)
 LS = 50.00'
 R = 1910.08'
 YS = 0.22'
 XS = 50.00'
 P = 0.05'
 K = 25.00'
 LT = 33.33'
 ST = 16.67'

PR CURVE SH001
 PI STA = 1995+30.08
 D = 3° 00' 00.00" (CHORD)
 $\Delta = 3^\circ 06' 07.07''$ (LT)
 R = 1,910.08'
 T = 51.72'
 L = 103.40'
 E = 0.70'
 SE = 1'
 SC STA = 1994+78.36
 CS STA = 1995+81.76

PR SPIRAL OUT SH001
 $\Delta = 0^\circ 44' 59.69''$ (LT)
 LS = 50.00'
 R = 1910.08'
 YS = 0.22'
 XS = 50.00'
 P = 0.05'
 K = 25.00'
 LT = 33.33'
 ST = 16.67'

PR SPIRAL IN SH002
 $\Delta = 0^\circ 44' 59.69''$ (RT)
 LS = 50.00'
 R = 1910.08'
 YS = 0.22'
 XS = 50.00'
 P = 0.05'
 K = 25.00'
 LT = 33.33'
 ST = 16.67'

PR CURVE SH002
 PI STA = 1999+04.33
 D = 3° 00' 00.00" (CHORD)
 $\Delta = 3^\circ 06' 28.14''$ (RT)
 R = 1,910.08'
 T = 51.82'
 L = 103.59'
 E = 0.70'
 SE = 1'
 SC STA = 1998+52.51
 CS STA = 1999+56.10

PR SPIRAL OUT SH002
 $\Delta = 0^\circ 44' 59.69''$ (RT)
 LS = 50.00'
 R = 1910.08'
 YS = 0.22'
 XS = 50.00'
 P = 0.05'
 K = 25.00'
 LT = 33.33'
 ST = 16.67'

PR SPIRAL IN SH003
 $\Delta = 0^\circ 44' 59.69''$ (RT)
 LS = 50.00'
 R = 1910.08'
 YS = 0.22'
 XS = 50.00'
 P = 0.05'
 K = 25.00'
 LT = 33.33'
 ST = 16.67'

PR CURVE SH003
 PI STA = 2002+99.37
 D = 3° 00' 00.00" (CHORD)
 $\Delta = 2^\circ 44' 21.97''$ (RT)
 R = 1,910.08'
 T = 45.67'
 L = 91.31'
 E = 0.55'
 SE = 1'
 SC STA = 2002+53.70
 CS STA = 2003+45.02

PR SPIRAL OUT SH003
 $\Delta = 0^\circ 44' 59.69''$ (RT)
 LS = 50.00'
 R = 1910.08'
 YS = 0.22'
 XS = 50.00'
 P = 0.05'
 K = 25.00'
 LT = 33.33'
 ST = 16.67'

PR SPIRAL IN SH004
 $\Delta = 0^\circ 44' 59.69''$ (LT)
 LS = 50.00'
 R = 1910.08'
 YS = 0.22'
 XS = 50.00'
 P = 0.05'
 K = 25.00'
 LT = 33.33'
 ST = 16.67'

PR CURVE SH004
 PI STA = 2006+81.35
 D = 3° 00' 00.00" (CHORD)
 $\Delta = 2^\circ 52' 18.02''$ (LT)
 R = 1,910.08'
 T = 47.88'
 L = 95.72'
 E = 0.60'
 SE = 1'
 SC STA = 2006+33.47
 CS STA = 2007+29.19

PR SPIRAL OUT SH004
 $\Delta = 0^\circ 44' 59.69''$ (LT)
 LS = 50.00'
 R = 1910.08'
 YS = 0.22'
 XS = 50.00'
 P = 0.05'
 K = 25.00'
 LT = 33.33'
 ST = 16.67'

FILE NAME =	DESIGNED - AAF	REVISED -
...ND163598-shc-A18-05.dgn	DRAWN - TMB	REVISED -
USER NAME = tblank	CHECKED - JMM	REVISED -
PLDT DATE = 1/17/2013	DATE - 01/18/2013	REVISED -

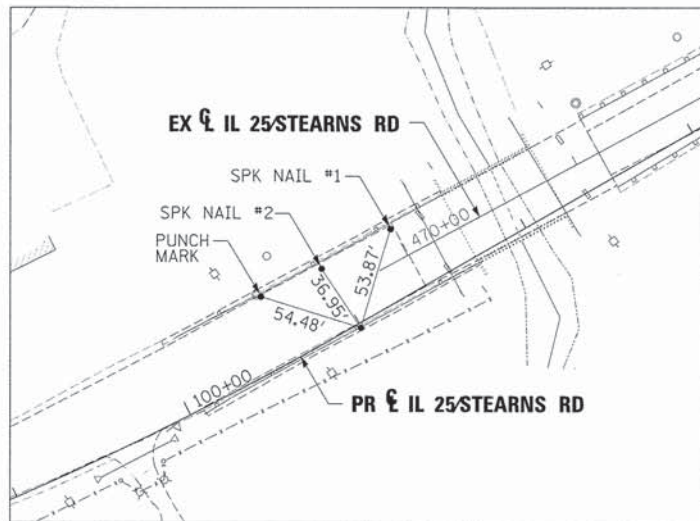
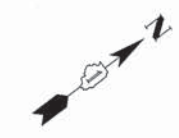


STATE OF ILLINOIS
 DIVISION OF TRANSPORTATION

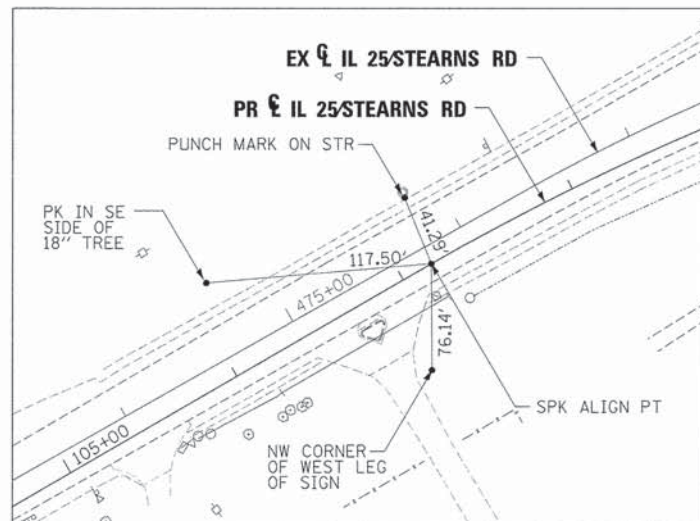
ALIGNMENT, TIES & BENCHMARKS

SCALE: 1"=50' SHEET NO. 5 OF 6 SHEETS STA. TO STA.

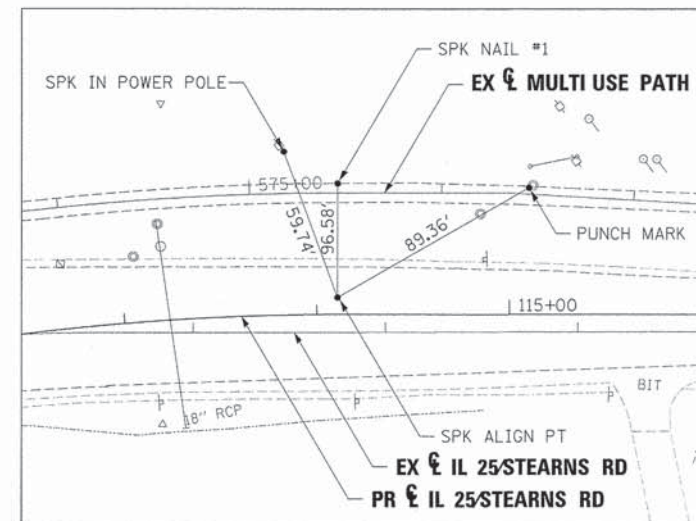
F.A.P. RTE.	SECTION	COUNTY	TOTAL SHEETS	SHEET NO.
361	06-00214-18-RP	KANE	451	47
CONTRACT NO. 63598				
ILLINOIS FED. AID PROJECT				



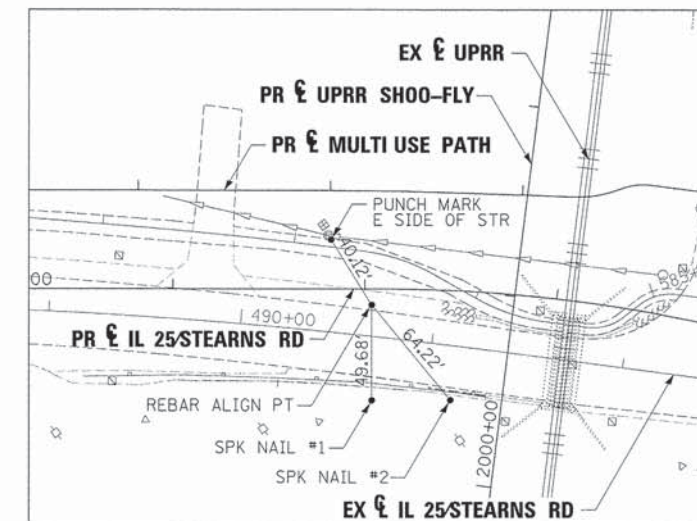
PT STA 101+00.15



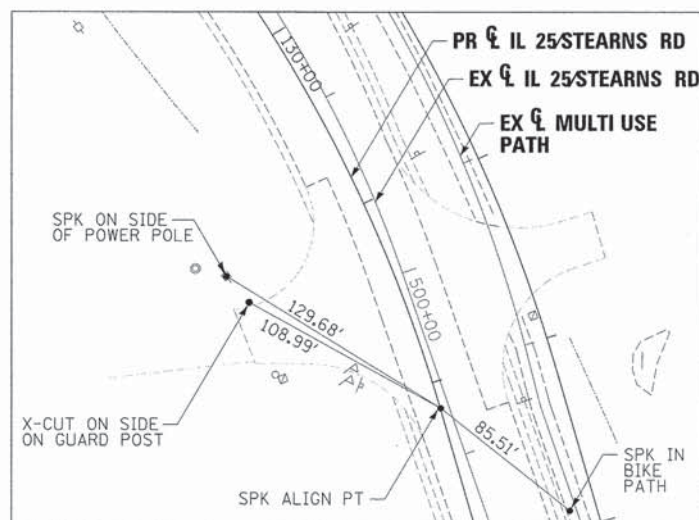
PC STA 107+16.82



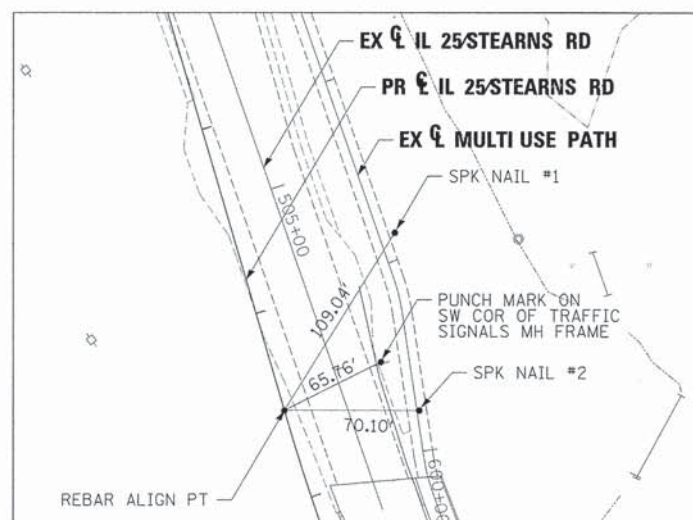
PT STA 114+11.86



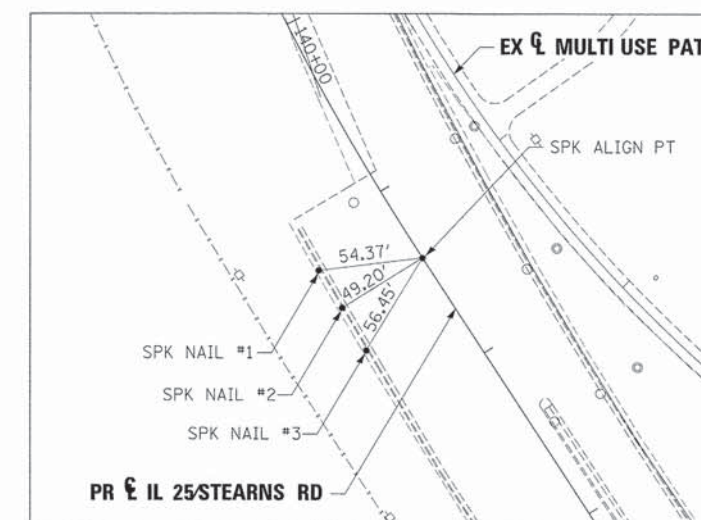
PC STA 122+11.16



PT STA 132+13.95



PC STA 137+52.75



PT STA 141+41.01

FILE NAME =	DESIGNED - AAF	REVISED -
... \D163598-sht-A7B-06.dgn	DRAWN - TMB	REVISED -
USER NAME = tblank	CHECKED - JMM	REVISED -
PLOT DATE = 1/17/2013	DATE - 01/18/2013	REVISED -

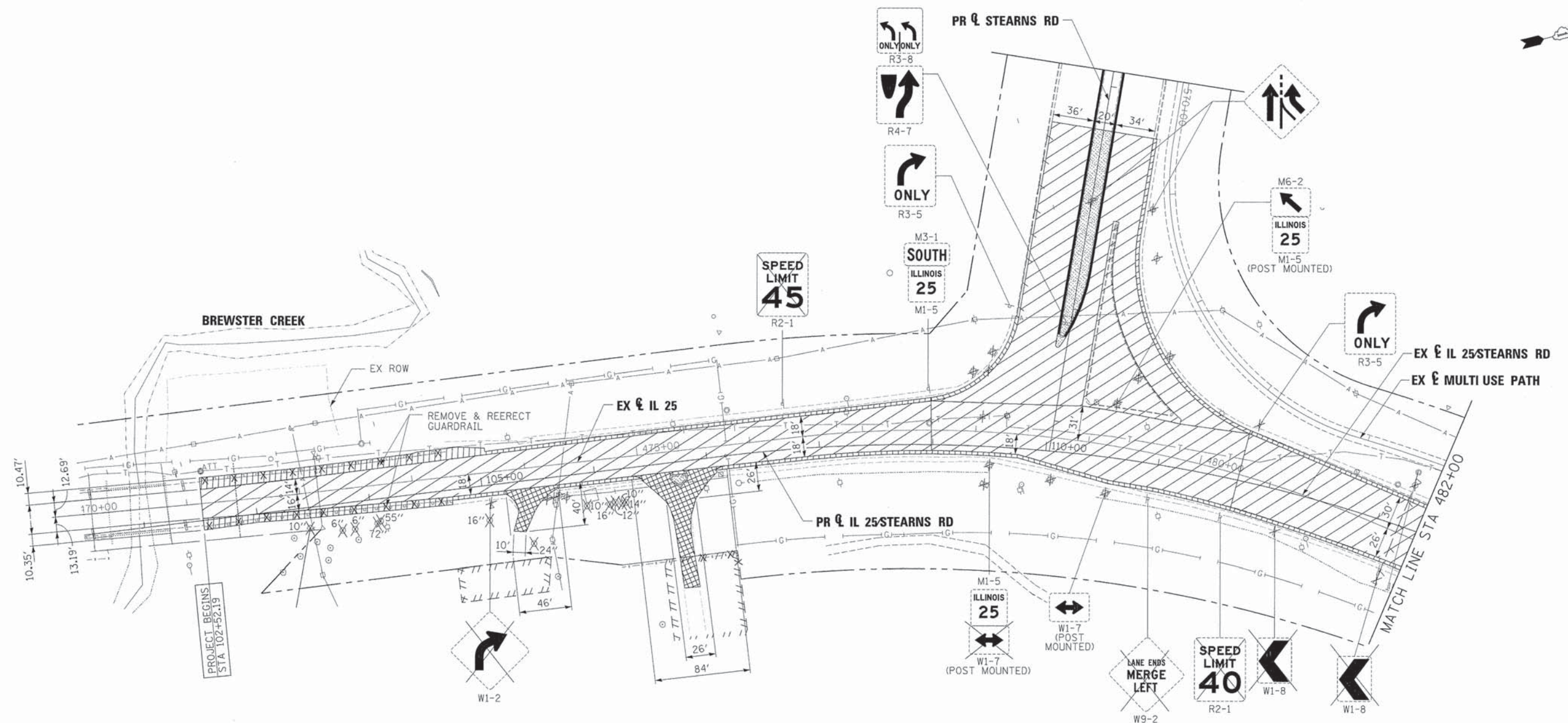


**STATE OF ILLINOIS
DIVISION OF TRANSPORTATION**

ALIGNMENT, TIES & BENCHMARKS

SCALE: 1"=50' SHEET NO. 6 OF 6 SHEETS STA. TO STA.

F.A.P. RTE.	SECTION	COUNTY	TOTAL SHEETS	SHEET NO.
361	06-00214-18-RP	KANE	451	48
CONTRACT NO. 63598				
[ILLINOIS] FED. AID PROJECT				



LEGEND:

- PAVEMENT REMOVAL
- PAVED SHOULDER REMOVAL
- DRIVEWAY PAVEMENT REMOVAL
- MEDIAN REMOVAL
- BIKE PATH REMOVAL
- IMPACT ATTENUATOR REMOVAL
- REMOVE AND REERECT STEEL PLATE BEAM GUARDRAIL
- COMBINATION CURB & GUTTER REMOVAL
- TREE REMOVAL
- REMOVE SIGN PANEL
(ALL OTHER SIGNS WILL BE REMOVED AND RELOCATED. REFER TO SIGNING SCHEDULE AND PAVEMENT MARKING AND SIGNING PLANS)
- TRAFFIC SIGNAL REMOVAL
- TRAFFIC SIGNAL CONTROLLER REMOVAL
- REMOVING MANHOLES
- REMOVING CATCH BASINS
- STORM SEWER REMOVAL
- REMOVE EXISTING FLARED END SECTION
- FENCE REMOVAL

FILE NAME =	DESIGNED - AAF	REVISED -
... \D163598-sht-IL25-stn-rem-01.dgn	DRAWN - TMB	REVISED -
USER NAME = tblank	CHECKED - JMM	REVISED -
PLOT DATE = 1/17/2013	DATE - 01/18/2013	REVISED -

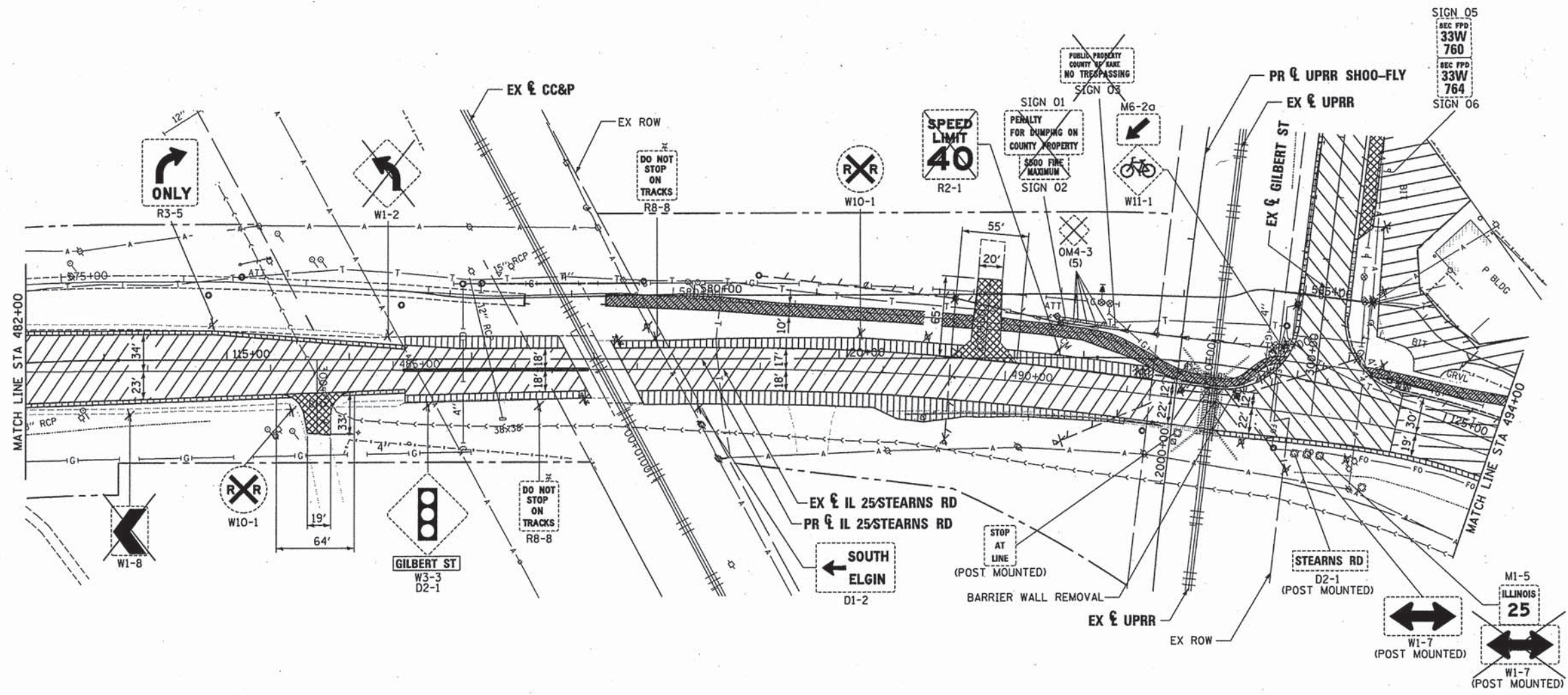


**STATE OF ILLINOIS
DIVISION OF TRANSPORTATION**

**REMOVAL PLAN
IL 25/STEARNS RD**

SCALE: 1"=50' SHEET NO. 1 OF 5 SHEETS STA. 102+52.19 TO STA. 113+50.00

F.A.P. RTE.	SECTION	COUNTY	TOTAL SHEETS	SHEET NO.
361	06-00214-18-RP	KANE	451	49
CONTRACT NO. 63598				
ILLINOIS FED. AID PROJECT				



LEGEND:

- PAVEMENT REMOVAL
- PAVED SHOULDER REMOVAL
- DRIVEWAY PAVEMENT REMOVAL
- MEDIAN REMOVAL
- BIKE PATH REMOVAL
- IMPACT ATTENUATOR REMOVAL
- REMOVE AND REERECT STEEL PLATE BEAM GUARDRAIL
- COMBINATION CURB & GUTTER REMOVAL
- TREE REMOVAL
- REMOVE SIGN PANEL
(ALL OTHER SIGNS WILL BE REMOVED AND RELOCATED, REFER TO SIGNING SCHEDULE AND PAVEMENT MARKING AND SIGNING PLANS)
- TRAFFIC SIGNAL REMOVAL
- TRAFFIC SIGNAL CONTROLLER REMOVAL
- REMOVING MANHOLES
- REMOVING CATCH BASINS
- STORM SEWER REMOVAL
- REMOVE EXISTING FLARED END SECTION
- FENCE REMOVAL

FILE NAME =	DESIGNED - AAF	REVISED -
... \D163598-sht-IL25-str-rem-02.dgn	DRAWN - TMB	REVISED -
USER NAME = tblank	CHECKED - JMM	REVISED -
PLOT DATE = 1/17/2013	DATE - 01/18/2013	REVISED -

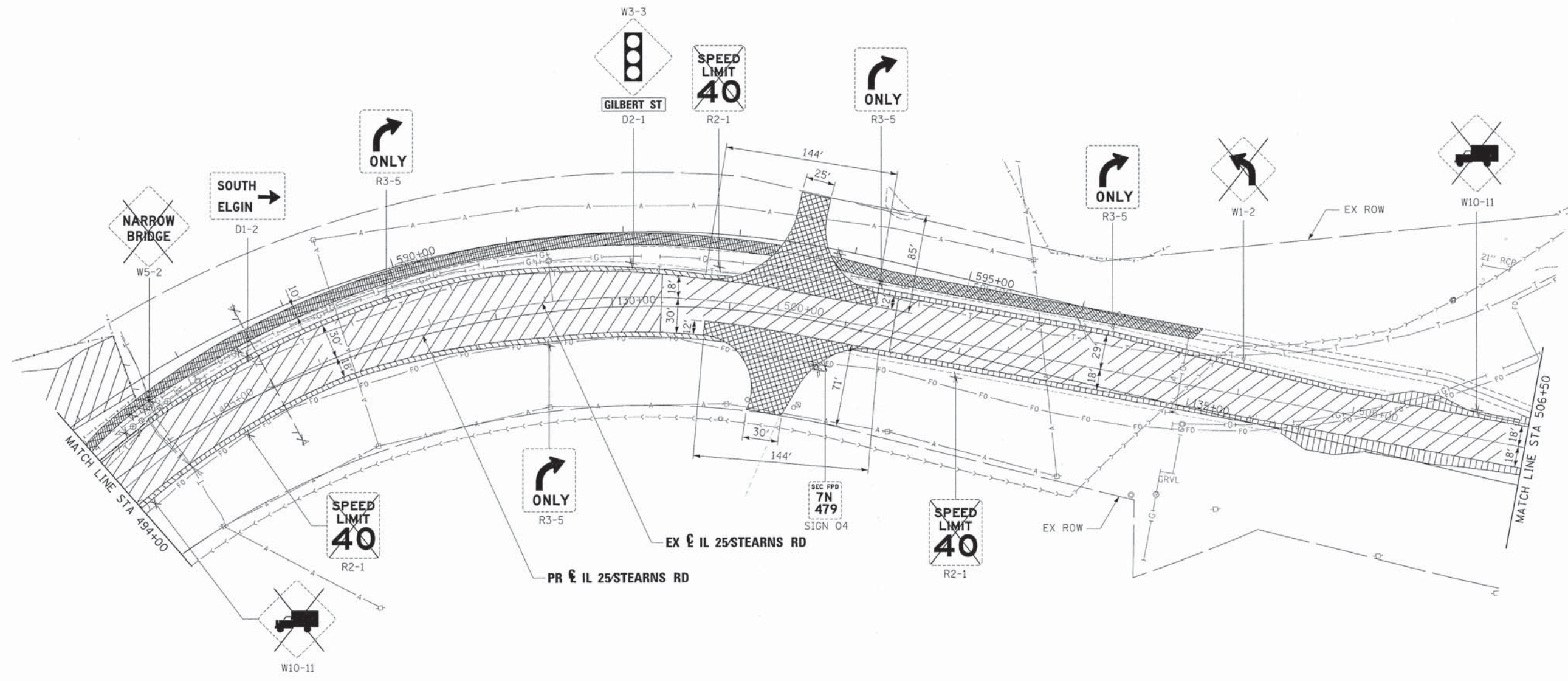


**STATE OF ILLINOIS
DIVISION OF TRANSPORTATION**

**REMOVAL PLAN
IL 25 STEARNS RD**

SCALE: 1"=50' SHEET NO. 2 OF 5 SHEETS STA. 113+50.00 TO STA. 125+50.00

F.A.P. RTE.	SECTION	COUNTY	TOTAL SHEETS	SHEET NO.
361	06-00214-18-RP	KANE	451	50
CONTRACT NO. 63598				
ILLINOIS FED. AID PROJECT				



LEGEND:

- PAVEMENT REMOVAL
- PAVED SHOULDER REMOVAL
- DRIVEWAY PAVEMENT REMOVAL
- MEDIAN REMOVAL
- BIKE PATH REMOVAL
- IMPACT ATTENUATOR REMOVAL
- REMOVE AND REERECT STEEL PLATE BEAM GUARDRAIL
- COMBINATION CURB & GUTTER REMOVAL
- TREE REMOVAL
- REMOVE SIGN PANEL
(ALL OTHER SIGNS WILL BE REMOVED AND RELOCATED. REFER TO SIGNING SCHEDULE AND PAVEMENT MARKING AND SIGNING PLANS)
- TRAFFIC SIGNAL REMOVAL
- TRAFFIC SIGNAL CONTROLLER REMOVAL
- REMOVING MANHOLES
- REMOVING CATCH BASINS
- STORM SEWER REMOVAL
- REMOVE EXISTING FLARED END SECTION
- FENCE REMOVAL

FILE NAME =	DESIGNED - AAF	REVISED -
...ND163598-sht-IL25-stnrem-03.dgn	DRAWN - TMB	REVISED -
USER NAME = tblank	CHECKED - JMM	REVISED -
PLOT DATE = 1/17/2013	DATE - 01/18/2013	REVISED -

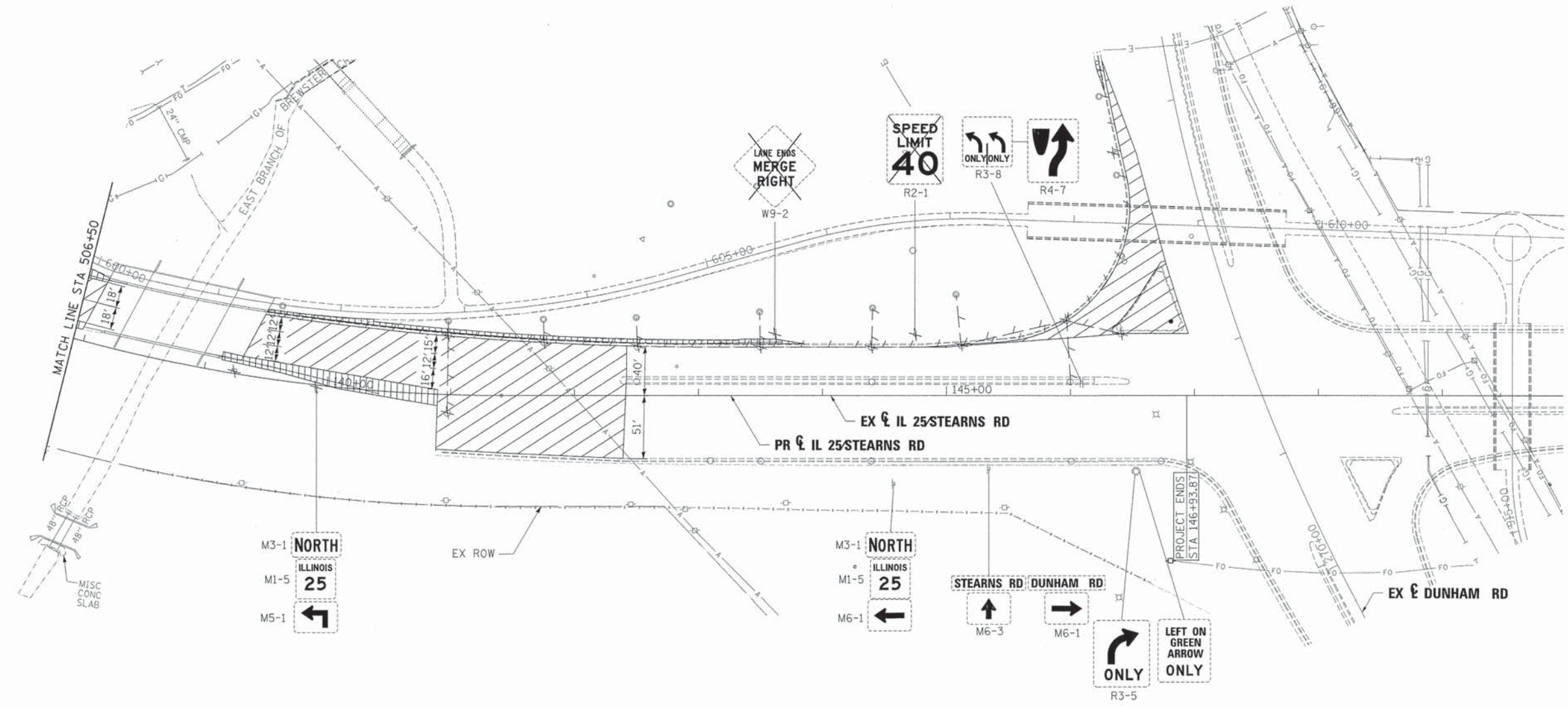


**STATE OF ILLINOIS
DIVISION OF TRANSPORTATION**


















**REMOVAL PLAN
IL 25/STEARNS RD**

SCALE: 1"=50' SHEET NO. 3 OF 5 SHEETS STA. 125+50.00 TO STA. 137+50.00

F.A.P. RTE.	SECTION	COUNTY	TOTAL SHEETS	SHEET NO.
361	06-00214-18-RP	KANE	451	51
CONTRACT NO. 63598				
[ILLINOIS] FED. AID PROJECT				



LEGEND:

-  PAVEMENT REMOVAL
-  PAVED SHOULDER REMOVAL
-  DRIVEWAY PAVEMENT REMOVAL
-  MEDIAN REMOVAL
-  BIKE PATH REMOVAL
-  IMPACT ATTENUATOR REMOVAL
-  REMOVE AND REERECT STEEL PLATE BEAM GUARDRAIL
-  COMBINATION CURB & GUTTER REMOVAL
-  TREE REMOVAL
-  REMOVE SIGN PANEL
(ALL OTHER SIGNS WILL BE REMOVED AND RELOCATED. REFER TO SIGNING SCHEDULE AND PAVEMENT MARKING AND SIGNING PLANS)
-  TRAFFIC SIGNAL REMOVAL
-  TRAFFIC SIGNAL CONTROLLER REMOVAL
-  REMOVING MANHOLES
-  REMOVING CATCH BASINS
-  STORM SEWER REMOVAL
-  REMOVE EXISTING FLARED END SECTION
-  FENCE REMOVAL

FILE NAME =	DESIGNED - AAF	REVISED -
...\\D163598-shr-IL25-stn-ren-04.dgn	DRAWN - TMB	REVISED -
USER NAME = tblank	CHECKED - JMM	REVISED -
PLOT DATE = 1/17/2013	DATE - 01/18/2013	REVISED -

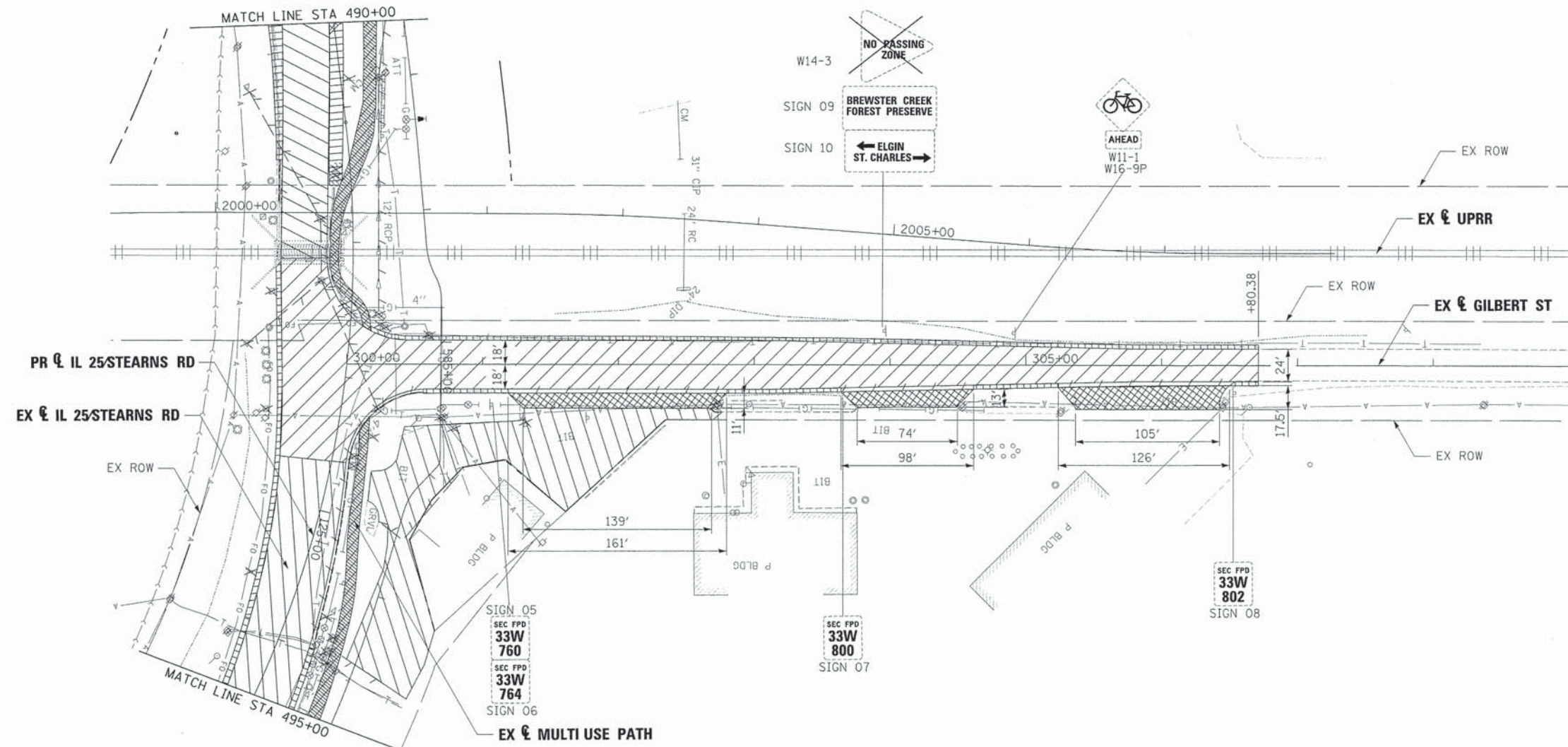


**STATE OF ILLINOIS
DIVISION OF TRANSPORTATION**

**REMOVAL PLAN
IL 25 STEARNS RD**

SCALE: 1"=50' SHEET NO. 4 OF 5 SHEETS STA. 137+50.00 TO STA. 146+93.87

F.A.P. RTE.	SECTION	COUNTY	TOTAL SHEETS	SHEET NO.
361	06-00214-18-RP	KANE	451	52
CONTRACT NO. 63598			ILLINOIS FED. AID PROJECT	



LEGEND:

- PAVEMENT REMOVAL
- PAVED SHOULDER REMOVAL
- DRIVEWAY PAVEMENT REMOVAL
- MEDIAN REMOVAL
- BIKE PATH REMOVAL
- IMPACT ATTENUATOR REMOVAL
- REMOVE AND REERECT STEEL PLATE BEAM GUARDRAIL
- COMBINATION CURB & GUTTER REMOVAL
- TREE REMOVAL
- REMOVE SIGN PANEL
(ALL OTHER SIGNS WILL BE REMOVED AND RELOCATED. REFER TO SIGNING SCHEDULE AND PAVEMENT MARKING AND SIGNING PLANS)
- TRAFFIC SIGNAL REMOVAL
- TRAFFIC SIGNAL CONTROLLER REMOVAL
- REMOVING MANHOLES
- REMOVING CATCH BASINS
- STORM SEWER REMOVAL
- REMOVE EXISTING FLARED END SECTION
- FENCE REMOVAL

FILE NAME =	DESIGNED - AAF	REVISED -
...\\D163598\sh-t-gil-rm-0.dgn	DRAWN - TMB	REVISED -
USER NAME = tblank	CHECKED - JMM	REVISED -
PLOT DATE = 1/17/2013	DATE - 01/18/2013	REVISED -



**STATE OF ILLINOIS
DIVISION OF TRANSPORTATION**

**REMOVAL PLAN
GILBERT ST**

SCALE: 1"=50' SHEET NO. 5 OF 5 SHEETS STA. 300+00.00 TO STA. 307+80.38

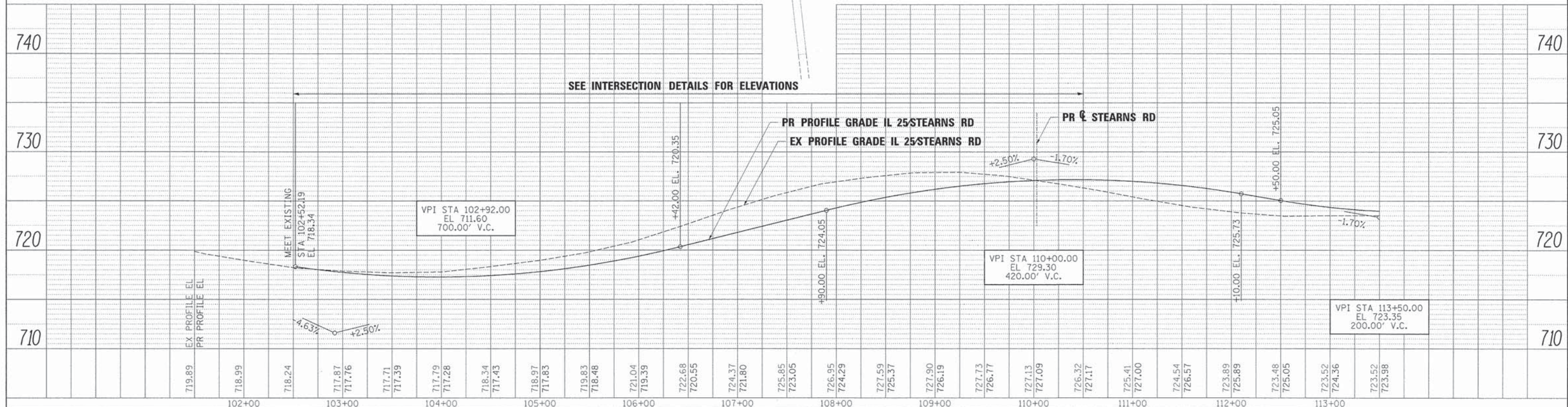
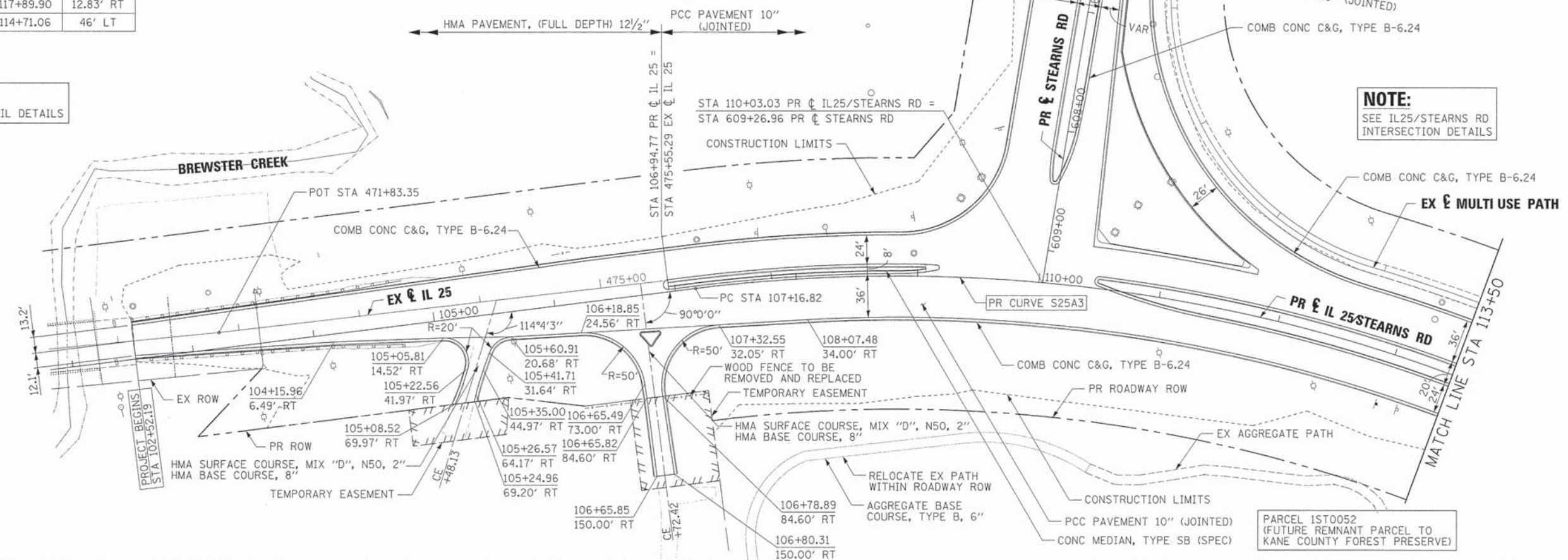
F.A.P. RTE.	SECTION	COUNTY	TOTAL SHEETS	SHEET NO.
361	06-00214-18-RP	KANE	451	53
				CONTRACT NO. 63598
ILLINOIS FED. AID PROJECT				

REVERSE GUTTER LIMITS:

FROM		TO	
STA	OFFSET	STA	OFFSET
106+23.70	33.87' LT	108+86.28	34' LT
106+94.83	2' LT	109+06.97	3.67' LT
110+41.22	34' LT	111+74.77	34' LT
110+48.58	2.13' LT	117+89.90	12.83' RT
111+29.35	97.90' LT	114+71.06	46' LT

NOTE:
SEE GUARDRAIL DETAILS

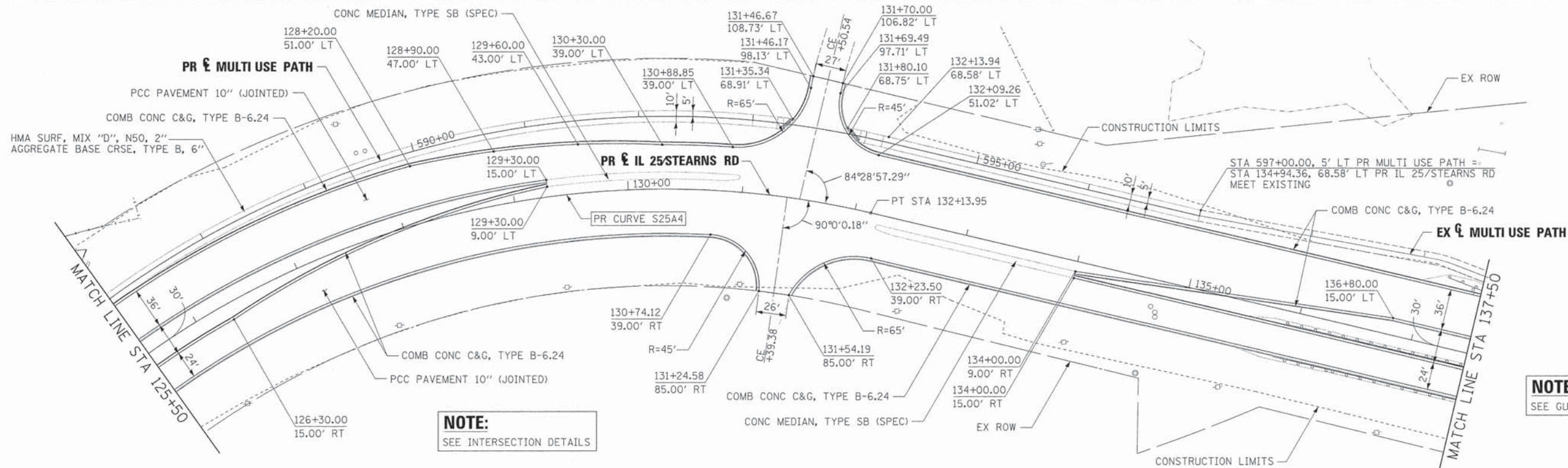
NOTE:
SEE IL25/STEARNS RD
INTERSECTION DETAILS



FILE NAME = ... \D163598-sht-IL25-stn-plnprf-01.dgn	DESIGNED - AAA	REVISED -	<p>STATE OF ILLINOIS DEPARTMENT OF TRANSPORTATION</p>	<p>PLAN AND PROFILE IL 25/STEARNS RD</p>	F.A.P. RTE. 361	SECTION 06-00214-18-RP	COUNTY KANE	TOTAL SHEETS 451	SHEET NO. 54		
USER NAME = tblank	DRAWN - TMB	REVISED -			SCALE: 1"=50'	SHEET NO. 1 OF 9 SHEETS	STA. 102+52.19 TO STA. 113+50.00	CONTRACT NO. 63598			
PLOT DATE = 1/17/2013	CHECKED - JMM	REVISED -			ILLINOIS FED. AID PROJECT						
	DATE - 01/18/2013	REVISED -									

ALIGNMENT CHECKED
 GRADES CHECKED
 PLAN CHECKED
 CAD FILE NAME
 NO.

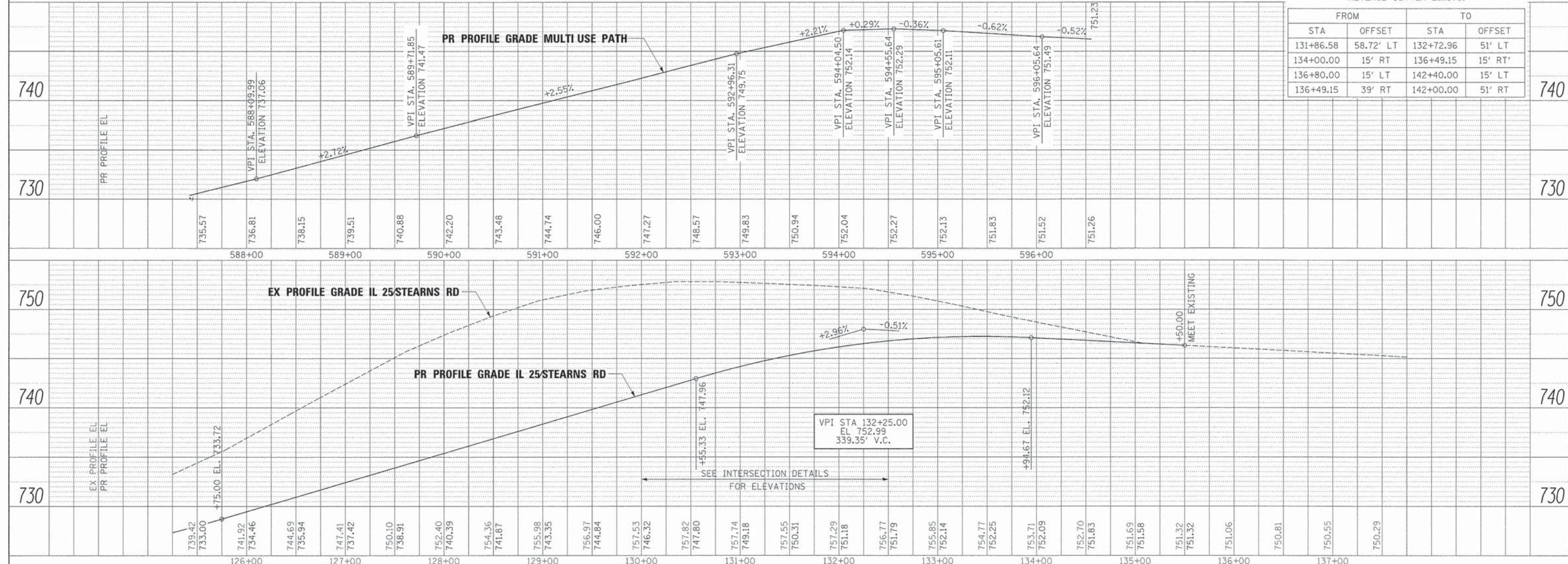
GRADES CHECKED
 PLAN CHECKED
 PROFILE NOTED
 STRUCTURE NOTED
 DATE
 NO.



NOTE:
 SEE GUARDRAIL DETAILS

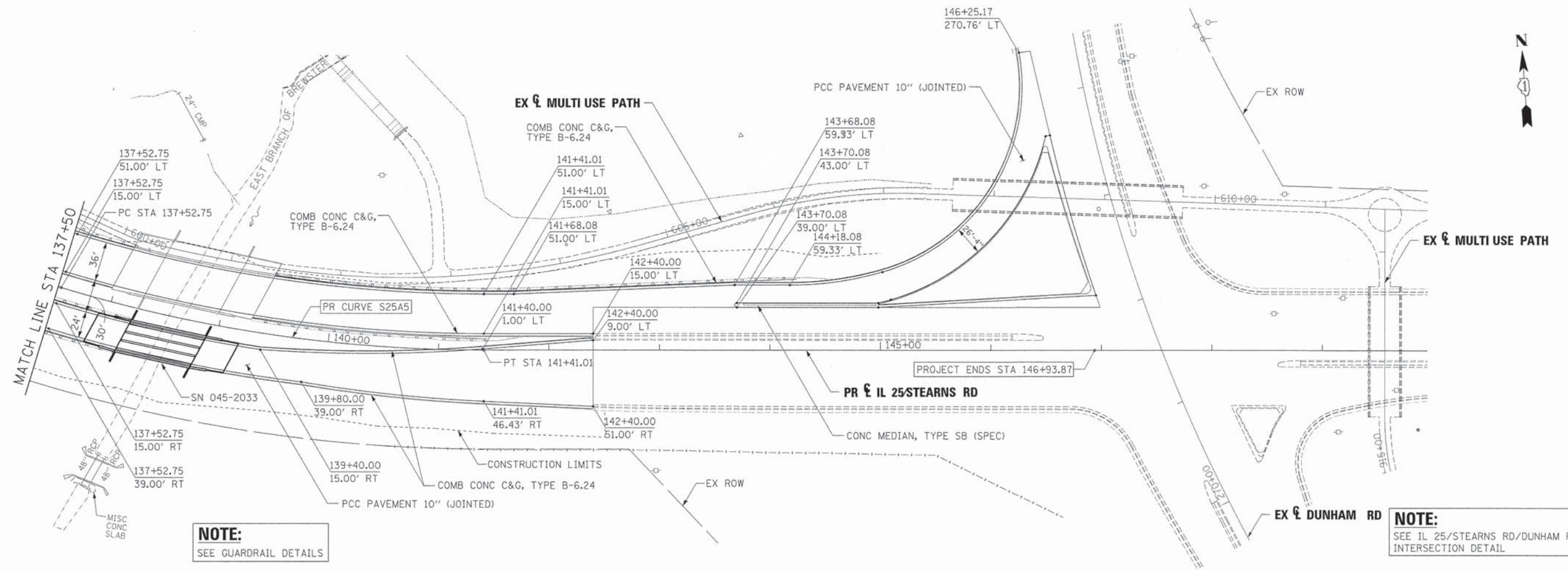
REVERSE GUTTER LIMITS:

FROM		TO	
STA	OFFSET	STA	OFFSET
131+86.58	58.72' LT	132+72.96	51' LT
134+00.00	15' RT	136+49.15	15' RT'
136+80.00	15' LT	142+40.00	15' LT
136+49.15	39' RT	142+00.00	51' RT



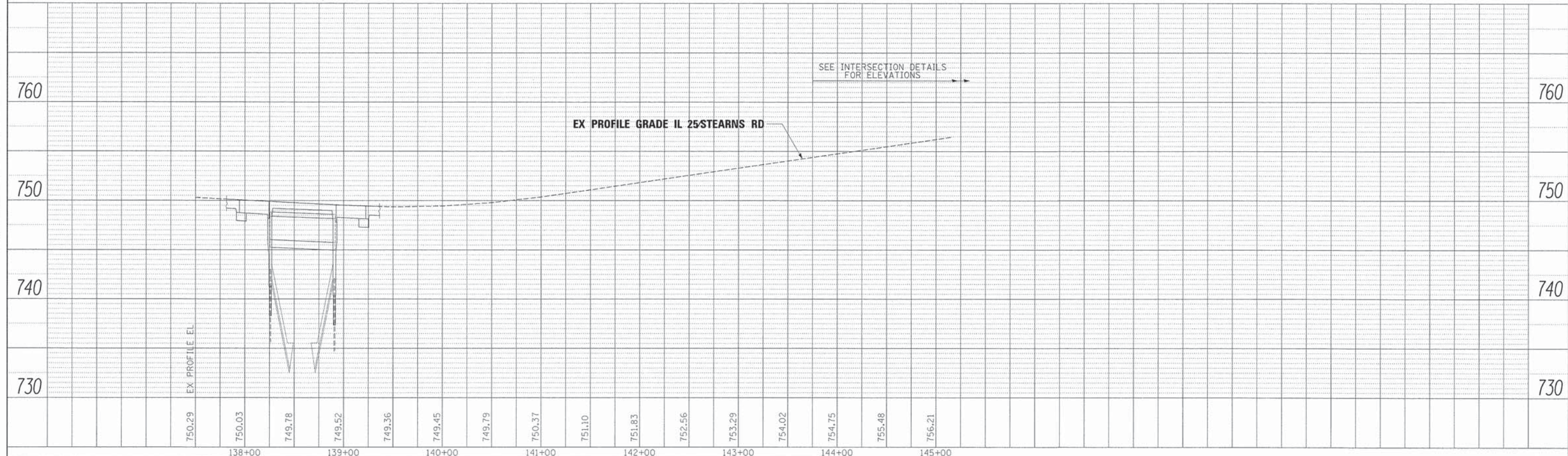
FILE NAME =	DESIGNED - AAA	REVISED -		STATE OF ILLINOIS DEPARTMENT OF TRANSPORTATION	PLAN AND PROFILE IL 25 STEARNS RD	F.A.P. R.T.E. 361	SECTION 06-00214-18-RP	COUNTY KANE	TOTAL SHEETS 451	SHEET NO. 56			
USER NAME = tblank	DRAWN - TMB	REVISED -				SCALE: 1"=50'	SHEET NO. 3 OF 9 SHEETS	STA. 125+50.00 TO STA. 137+50.00	CONTRACT NO. 63598				
PLOT DATE = 1/17/2013	CHECKED - JMM	REVISED -				[ILLINOIS] FED. AID PROJECT							
DATE = 01/18/2013	REVISIONS	REVISED -											


NOTE BOOK NO. _____
 USER'S CHECKED STRUCTURE NOTATIONS OK/KO
 NO. _____



NOTE:
 SEE GUARDRAIL DETAILS

NOTE:
 SEE IL 25/STEARNS RD/DUNHAM RD INTERSECTION DETAIL

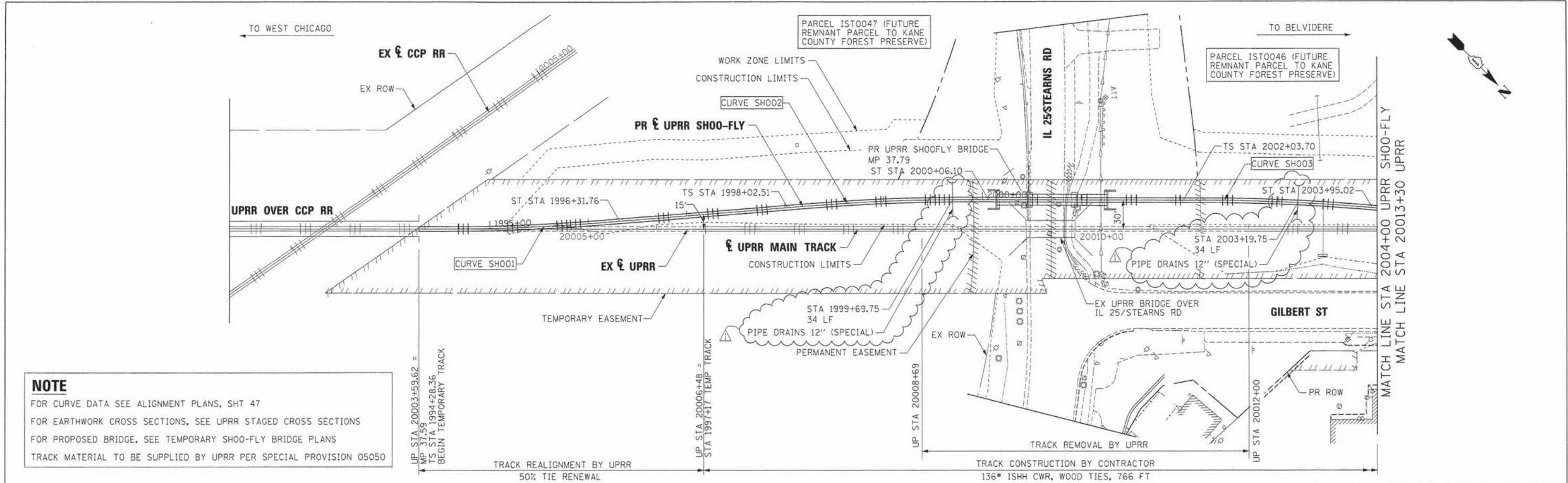


FILE NAME =	DESIGNED - AAA	REVISED -	 STATE OF ILLINOIS DEPARTMENT OF TRANSPORTATION	PLAN AND PROFILE IL 25/STEARNS RD	F.A.P. RTE.	SECTION	COUNTY	TOTAL SHEETS	SHEET NO.	
... \D163598-sht-IL25-stn-plnprf-04.dgn	DRAWN - TMB	REVISED -			361	06-00214-18-RP	KANE	451	57	
USER NAME = tblank	CHECKED - JMM	REVISED -			CONTRACT NO. 63598					
PLOT DATE = 1/17/2013	DATE - 01/18/2013	REVISED -			[ILLINOIS] FED. AID PROJECT					

SCALE: 1"=50' SHEET NO. 4 OF 9 SHEETS STA. 137+50.00 TO STA. 146+93.87

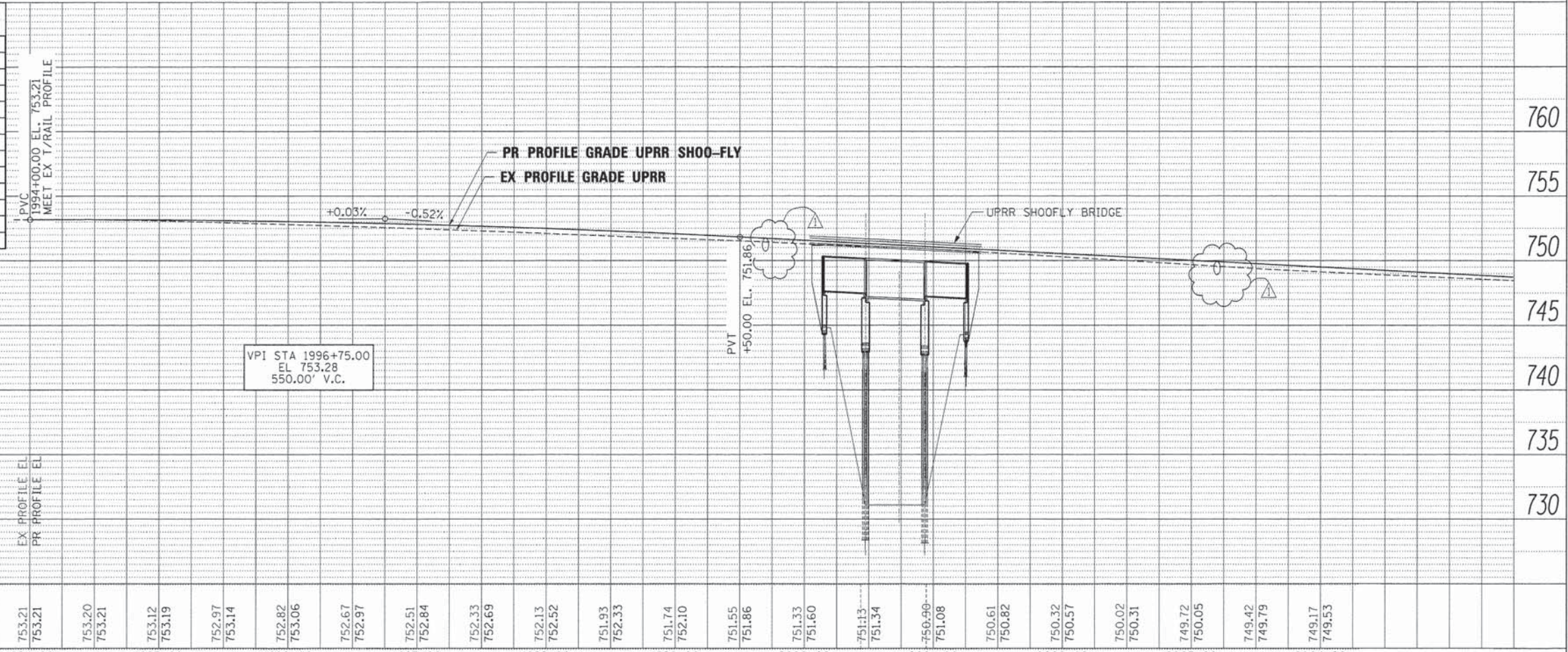
DATE	
BY	
SURVEYED	
ALIGNED	
CHECKED	
RT. OF WAY	
CHECKED	
NO. OF WAY	
CHECKED	
NO.	
PLAN	
NOTE BOOK	
NO.	
NO. OF WAY	
CHECKED	
NO.	
DATE	

DATE	
BY	
SURVEYED	
ALIGNED	
CHECKED	
RT. OF WAY	
CHECKED	
NO. OF WAY	
CHECKED	
NO.	
PROFILE	
NOTE BOOK	
NO.	
NO. OF WAY	
CHECKED	
NO.	
DATE	




NOTE
 FOR CURVE DATA SEE ALIGNMENT PLANS, SHT 47
 FOR EARTHWORK CROSS SECTIONS, SEE UPRR STAGED CROSS SECTIONS
 FOR PROPOSED BRIDGE, SEE TEMPORARY SHOO-FLY BRIDGE PLANS
 TRACK MATERIAL TO BE SUPPLIED BY UPRR PER SPECIAL PROVISION 05050

IL 25 STEARNS ROAD BELVIDERE SUB. MP 37.71			
TRACK CONSTRUCTION QUANTITIES			
STAGE 1 - SHOO-FLY			
	END STA	START STA	QTY (LF)
TRACK CONSTRUCTION BY CONTRACTOR			
136# ISHH CWR, WOOD TIES			
760 SHOO-FLY	20014+14	20006+48	766
TRACK REALIGNMENT BY UPRR - 50% TIE RENEWAL			
REALIGNMENT - EAST END	20006+48	20003+60	288
REALIGNMENT - WEST END	20017+08	20014+14	294
755 TOTAL			582
TRACK REMOVAL BY UPRR			
ACROSS EXISTING BRIDGE	20012+00	20008+69	331
750			
745			
740			
735			
730			



FILE NAME =	DESIGNED - RDC	REVISED - ADDENDUM 1 04/15/2013
... \D163598-sht-shoofly-plnprf-05.dgn	DRAWN - TMB	REVISED -
USER NAME = toddblank	CHECKED - JMM	REVISED -
PLOT DATE = 4/16/2013	DATE - 01/18/2013	REVISED -

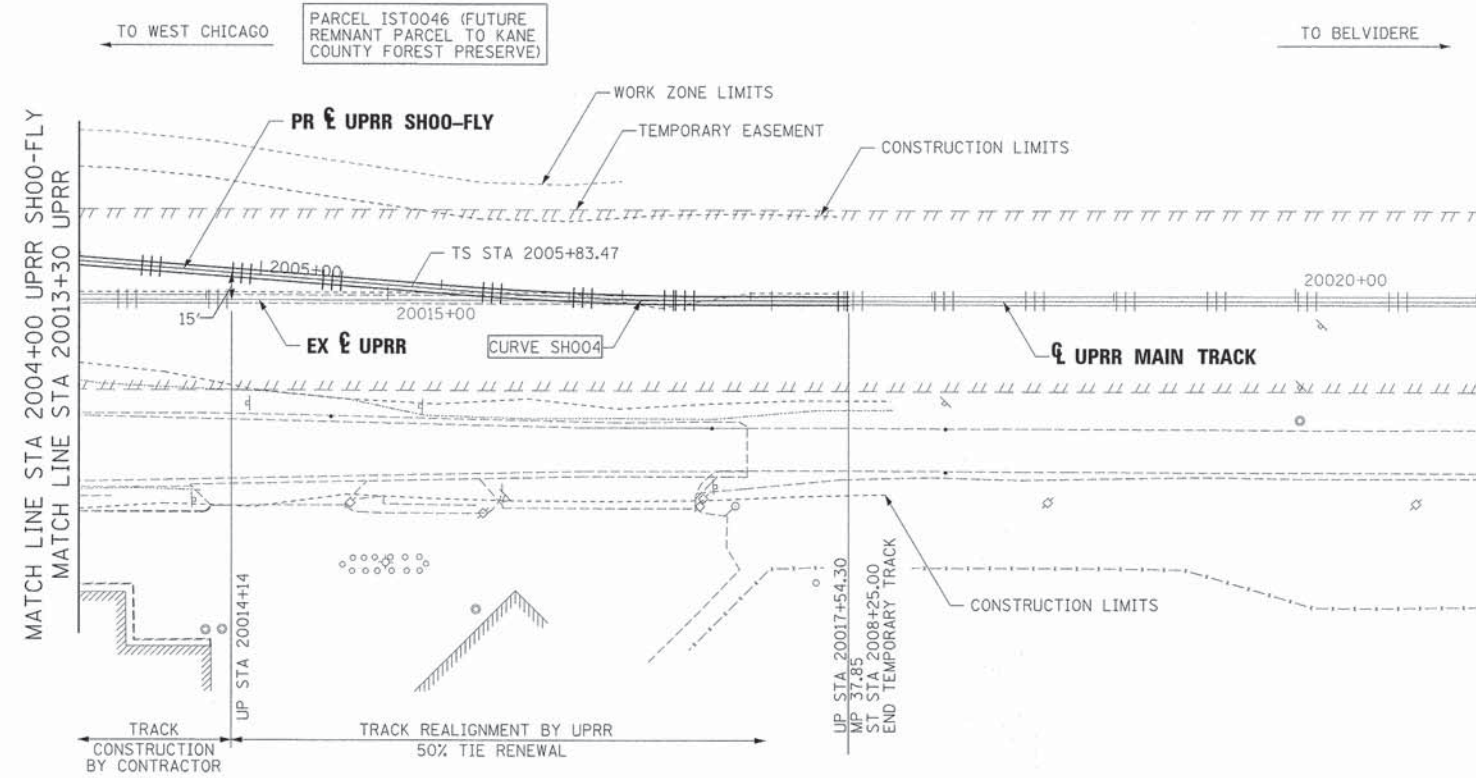

STATE OF ILLINOIS
DEPARTMENT OF TRANSPORTATION

PLAN AND PROFILE - UPRR SHOO-FLY
BELVIDERE SUBDIVISION MP 37.79
 SCALE: 1"=50' SHEET NO. 5 OF 9 SHEETS STA.20002+28.37 TO STA.20013+30.00

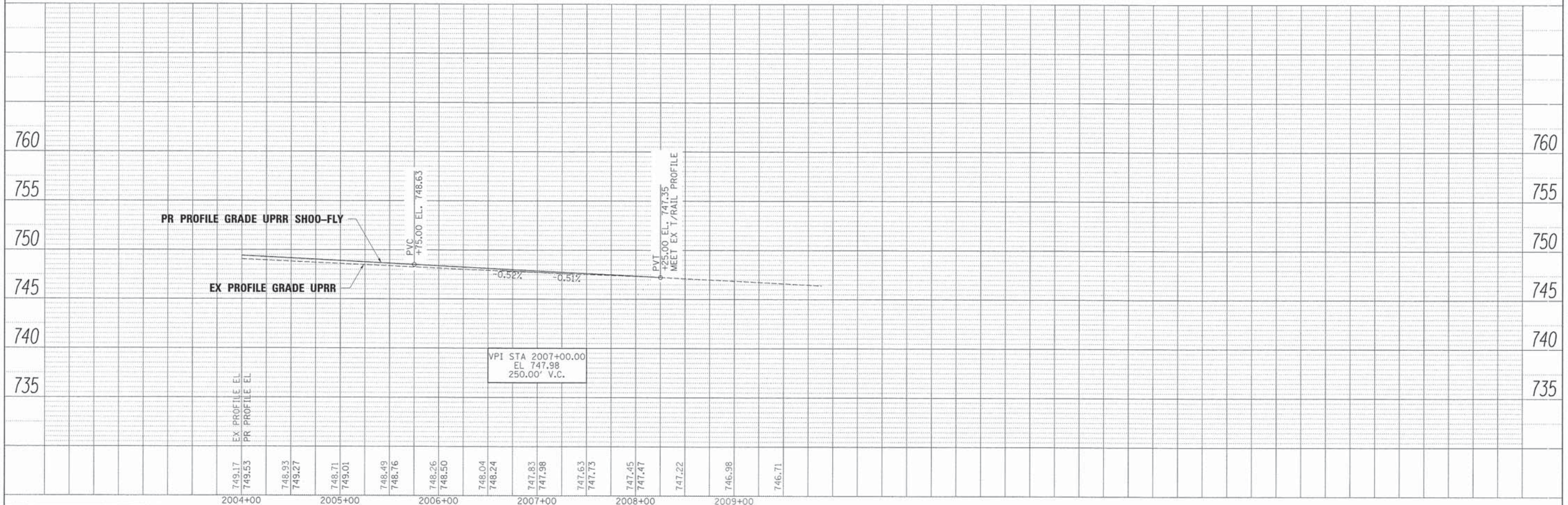
F.A.P. RTE.	SECTION	COUNTY	TOTAL SHEETS	SHEET NO.
361	06-00214-18-RP	KANE	451	58
CONTRACT NO. 63598			ILLINOIS FED. AID PROJECT	

PLAN	SURVEYED	BY	DATE
	ALIGNED		
	GRADES CHECKED		
	STRUCTURE NOTATIONS CHKD		
	NOTE BOOK		
	NO.		
	FILE NAME		

PROFILE	SURVEYED	BY	DATE
	ALIGNED		
	GRADES CHECKED		
	STRUCTURE NOTATIONS CHKD		
	NOTE BOOK		
	NO.		
	FILE NAME		



NOTE
 FOR CURVE DATA SEE ALIGNMENT PLANS, SHT 47
 FOR EARTHWORK CROSS SECTIONS, SEE UPRR STAGED CROSS SECTIONS
 FOR PROPOSED BRIDGE, SEE TEMPORARY SHOO-FLY BRIDGE PLANS
 TRACK MATERIAL TO BE SUPPLIED BY UPRR PER SPECIAL PROVISION 05050



FILE NAME *	DESIGNED -	RDC	REVISED -
...\\D163598-sht-shoo-fly-plnprf-06.dgn	DRAWN -	TMB	REVISED -
USER NAME = tblank	CHECKED -	JMM	REVISED -
PLOT DATE = 2/26/2013	DATE -	01/18/2013	REVISED -



STATE OF ILLINOIS
 DEPARTMENT OF TRANSPORTATION

PLAN AND PROFILE - UPRR SHOO-FLY
 BELVIDERE SUBDIVISION MP 37.79

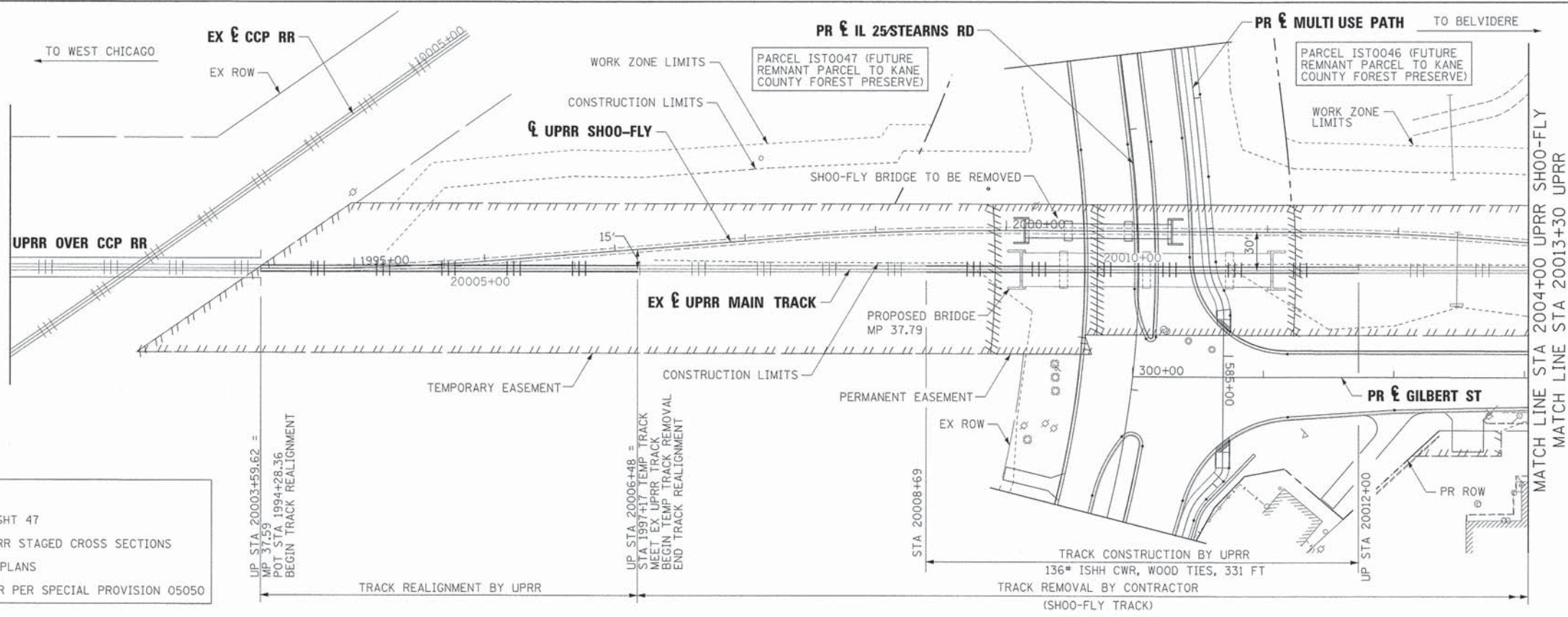
F.A.P. RTE.	SECTION	COUNTY	TOTAL SHEETS	SHEET NO.
361	06-00214-18-RP	KANE	451	59
CONTRACT NO. 63598				

SCALE: 1"=50' SHEET NO. 6 OF 9 SHEETS STA.20013+30.00 TO STA.20019+17.59

ILLINOIS FED. AID PROJECT

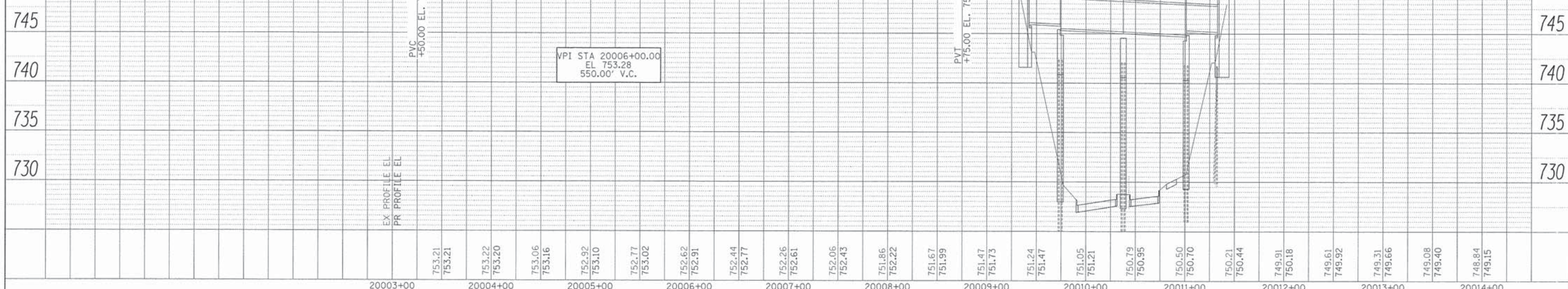
PLAN	SURVEYED	BY	DATE
	DESIGNED		
	CHECKED		
	NOTED		
	DATE		

PROFILE	SURVEYED	BY	DATE
	DESIGNED		
	CHECKED		
	NOTED		
	DATE		



NOTE
 FOR CURVE DATA SEE ALIGNMENT PLANS, SHT 47
 FOR EARTHWORK CROSS SECTIONS, SEE UPRR STAGED CROSS SECTIONS
 FOR PROPOSED BRIDGE, SEE UPRR BRIDGE PLANS
 TRACK MATERIAL TO BE SUPPLIED BY UPRR PER SPECIAL PROVISION 05050

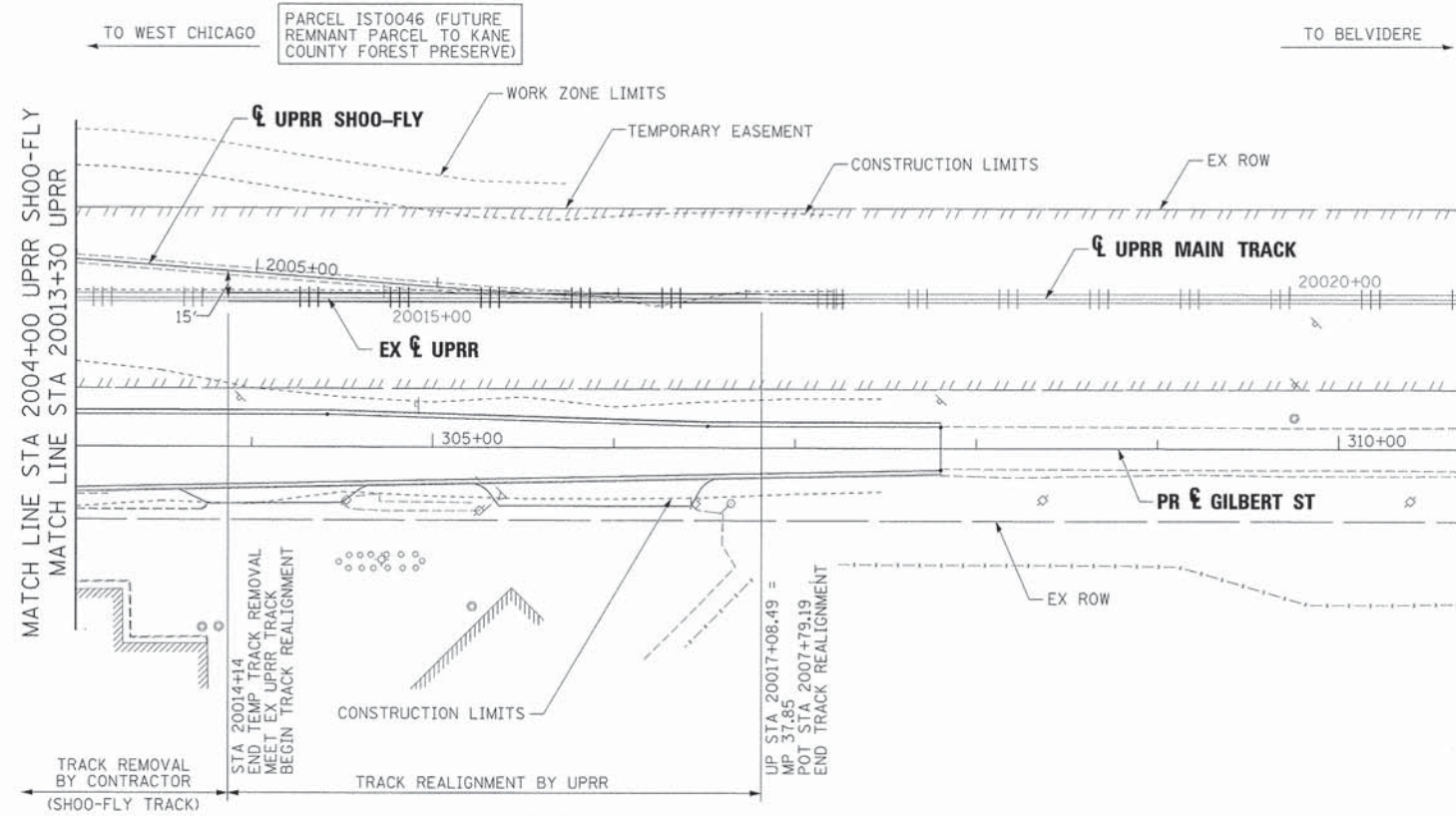
IL 25 STEARNS ROAD BELVIDERE SUB. MP 37.71			
TRACK CONSTRUCTION QUANTITIES			
STAGE 2 - PERMANENT ALIGNMENT			
TRACK REMOVAL BY CONTRACTOR			
SHOO-FLY	20014+14	20006+48	766
TRACK REALIGNMENT BY UPRR			
REALIGNMENT - EAST END	20006+48	20003+60	288
REALIGNMENT - WEST END	20017+08	20014+14	294
TOTAL			582
TRACK CONSTRUCTION BY UPRR			
136# ISHH CWR, WOOD TIES ACROSS SN 045-3168	20012+00	20008+69	331
SUBBALLAST QUANTITY			
REALIGNMENT - EAST END	20015+50	20005+00	1,167



FILE NAME =	DESIGNED - RDC	REVISED -		STATE OF ILLINOIS DEPARTMENT OF TRANSPORTATION	PLAN AND PROFILE - UPRR IN-LINE BELVIDERE SUBDIVISION MP 37.79	F.A.P. RTE.	SECTION	COUNTY	TOTAL SHEETS	SHEET NO.
USER NAME = tblank	DRAWN - TMB	REVISED -				361	06-00214-18-RP	KANE	451	60
PLOT DATE = 2/26/2013	CHECKED - JMM	REVISED -				CONTRACT NO. 63598				
DATE - 01/18/2013	DATE - 01/18/2013	REVISED -				ILLINOIS FED. AID PROJECT				

PLAN	DATE
BY	
DATE	
NO. _____	
DATE	
BY	
DATE	
NO. _____	
DATE	
BY	
DATE	
NO. _____	

PROFILE	DATE
BY	
DATE	
NO. _____	
DATE	
BY	
DATE	
NO. _____	
DATE	
BY	
DATE	
NO. _____	



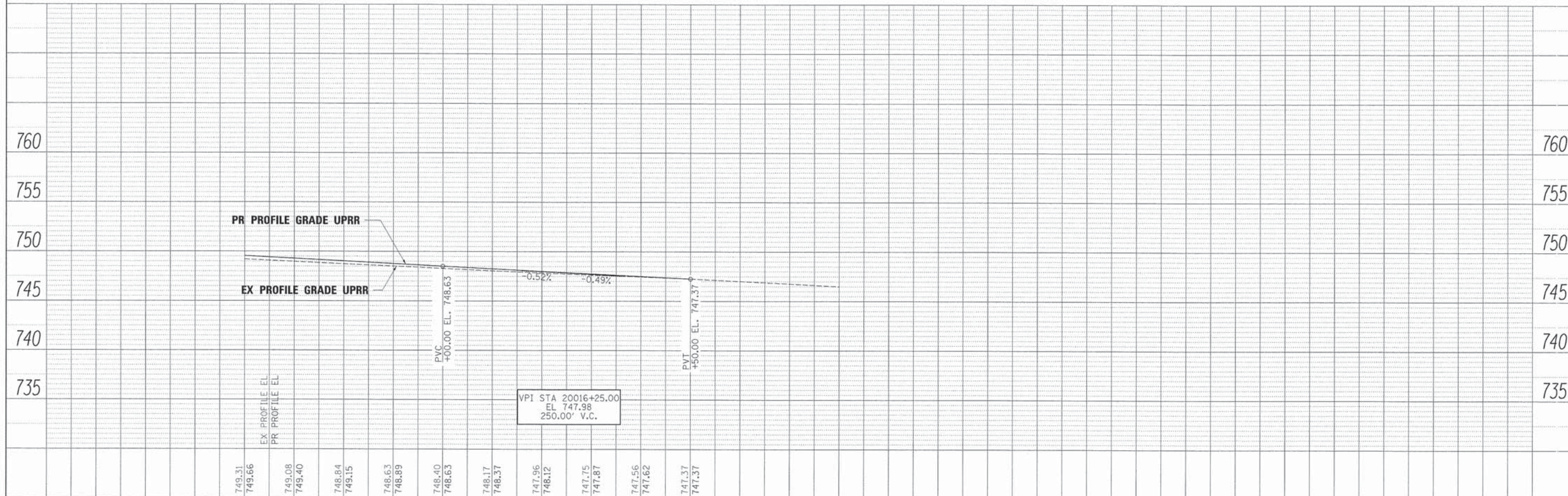
NOTE

FOR CURVE DATA SEE ALIGNMENT PLANS, SHT 47

FOR EARTHWORK CROSS SECTIONS, SEE UPRR STAGED CROSS SECTIONS

FOR PROPOSED BRIDGE, SEE UPRR BRIDGE PLANS

TRACK MATERIAL TO BE SUPPLIED BY UPRR PER SPECIAL REVISION 05050



FILE NAME =	DESIGNED - RDC	REVISED -		STATE OF ILLINOIS DEPARTMENT OF TRANSPORTATION	PLAN AND PROFILE - UPRR IN-LINE BELVIDERE SUBDIVISION MP 37.79	F.A.P. RTE.	SECTION	COUNTY	TOTAL SHEETS	SHEET NO.
...\\D163598-shr-uprr-plnprf-08.dgn	DRAWN - TMB	REVISED -				361	06-00214-18-RP	KANE	451	61
USER NAME = tblank	CHECKED - JMM	REVISED -				CONTRACT NO. 63598				
PLDT DATE = 2/26/2013	DATE - 01/18/2013	REVISED -				ILLINOIS FED. AID PROJECT				
						SCALE: 1"=50' SHEET NO. 8 OF 9 SHEETS STA. 2004+00.00 TO STA. 2009+88.29				

MAINTENANCE OF TRAFFIC GENERAL NOTES

1. THE CONTRACTOR SHALL PROVIDE AND MAINTAIN ONE THROUGH TRAFFIC LANE IN EACH DIRECTION ON ILLINOIS ROUTE 25.
2. THE CONTRACTOR SHALL PROVIDE ALL SIGNS, VERTICAL PANELS, TYPE III BARRICADES, DRUMS, OR TYPE II BARRICADES, ALL TEMPORARY CONCRETE BARRIERS AND PROTECTION NECESSARY FOR THE MAINTENANCE OF TRAFFIC, OR AS DIRECTED BY THE ENGINEER.
3. THE CONTRACTOR SHALL CONTACT THE ARTERIAL TRAFFIC CONTROL SUPERVISOR AT 847-705-4470 A MINIMUM OF 72 HOURS IN ADVANCE OF BEGINNING WORK.
4. THE CONTRACTOR SHALL INSTALL AND MAINTAIN PROPOSED AND TEMPORARY DRAINAGE SYSTEMS, AND EROSION CONTROL THROUGHOUT STAGE CONSTRUCTION DURING THE DURATION OF THE PROJECT.
5. THE CONTRACTOR SHALL PROVIDE AND MAINTAIN ACCESS TO ALL COMMERCIAL AND PRIVATE ENTRANCES. PAY ITEMS ARE INCLUDED IN THE PLANS FOR THIS ITEM. SEE IDOT DISTRICT 1 STANDARD TC-26 FOR TEMPORARY INFORMATION SIGNING REQUIREMENTS AT DRIVEWAYS.
6. THE CONTRACTOR SHALL USE TEMPORARY PAVEMENT MARKING ON SURFACES TO BE REMOVED AND IN AREAS THAT DO NOT CONFLICT WITH OTHER STAGES.
7. THE CONTRACTOR SHALL USE TEMPORARY PAVEMENT MARKING ON EXISTING SURFACES TO REMAIN, AREAS IN CONFLICT WITH OTHER STAGES, AND PERMANENT SURFACES.
8. 4 INCH SOLID WHITE PAVEMENT MARKING LINES SHALL BE USED TO DEFINE EDGE LINE WHERE CURB AND GUTTER DOES NOT EXIST.
9. 4 INCH SOLID DOUBLE YELLOW PAVEMENT MARKING LINES ARE TO BE USED TO SEPARATE OPPOSING TRAFFIC LANES.
10. ALL DOUBLE YELLOW CENTERLINE MARKING LINES SHALL BE SPACED AT 11 INCHES CENTER TO CENTER.
11. 6 INCH SOLID WHITE PAVEMENT MARKING LINES ARE TO BE USED TO DEFINE TURN LANES.
12. 12 INCH SOLID YELLOW PAVEMENT MARKING LINES ARE TO BE USED FOR TEMPORARY MEDIAN DIAGONAL LINES AT LOCATIONS AS SHOWN ON THE PLANS.
13. 24 INCH SOLID WHITE PAVEMENT MARKING LINES ARE TO BE USED FOR STOP BARS.
14. ALL TYPE II BARRICADES, DRUMS, AND VERTICAL PANELS SHALL BE EQUIPPED WITH BI-DIRECTIONAL STEADY BURNING LIGHTS.
15. ALL TYPE II BARRICADES, VERTICAL PANELS, AND DRUMS SHALL BE SPACED AT 50 FEET CENTER TO CENTER THROUGHOUT THE WORK ZONE, EXCEPT IN TAPER AREAS, GORE AREAS, AND ALONG CORNER RADII, WHERE THEY SHALL BE SPACED AT 25 FEET CENTER TO CENTER.
16. TEMPORARY CONCRETE BARRIERS SHALL BE EQUIPPED WITH TYPE "C" REFLECTORS AT 20' CENTERS.
17. ALL CONSTRUCTION WARNING SIGNS SHALL BE BLACK LEGEND ON ORANGE BACKGROUND.
18. ALL CONSTRUCTION WARNING SIGN DIMENSIONS SHALL BE 48" X 48".
19. ALL "ROAD CONSTRUCTION AHEAD" WARNING SIGNS (W20-1) SHALL BE EQUIPPED WITH HIGH INTENSITY FLASHING LIGHTS.
20. THE CONTRACTOR SHALL INSTALL AND COVER ALL TEMPORARY SIGNING BEFORE EXISTING SIGNS ARE REMOVED.
21. THE CONTRACTOR SHALL INSTALL AND COVER ALL PERMANENT SIGNING BEFORE TEMPORARY SIGNS ARE REMOVED.
22. EXISTING TRAFFIC SIGNS IN CONFLICT WITH STAGING SHALL BE REMOVED, RELOCATED OR COVERED AS DIRECTED BY THE ENGINEER.
23. DIRECTION INDICATOR BARRICADES SHALL BE USED AT TAPER LOCATIONS AS DIRECTED BY THE ENGINEER.
25. VERTICAL BARRICADES OR DRUMS SHALL BE INSTALLED AS DIRECTED BY THE ENGINEER, TO DELINEATE THE TRAVEL EDGE OF PAVEMENT AFTER TEMPORARY PAVEMENT HAS BEEN CONSTRUCTED IN PRE-STAGE.
26. THE CONTRACTOR SHALL MAINTAIN DRIVEWAY, FIELD ENTRANCE, AND SIDE ROAD ENTRANCE AT ALL TIMES AT THE LOCATIONS SHOWN ON THE PLANS OR WHERE DIRECTED BY THE ENGINEER. THIS WORK SHALL BE PAID FOR AT THE CONTRACT UNIT PRICE PER EACH FOR TEMPORARY ACCESS (PRIVATE ENTRANCE), TEMPORARY ACCESS (COMMERCIAL ENTRANCE), TEMPORARY ACCESS (FIELD ENTRANCE), AND TEMPORARY ACCESS (ROAD). EACH DRIVEWAY, FIELD ENTRANCE, AND SIDE ROAD SHALL ONLY BE MEASURED FOR PAYMENT ONCE.
27. THE CONTRACTOR SHALL PLACE A TEMPORARY PAVEMENT PATCH WHERE THE PROPOSED STORM SEWER AND WATER MAIN TRENCHES CROSS EXISTING DRIVEWAYS, FIELD ENTRANCES, AND ROADWAYS. THIS WORK SHALL BE PAID FOR AT THE CONTRACT UNIT PRICE FOR CLASS D PATCHES. DEPTH OF PATCHES SHALL BE AS DIRECTED BY THE ENGINEER.
28. THE CONTRACTOR SHALL BE RESPONSIBLE FOR PROVIDING TRAFFIC CONTROL AND PROTECTION FOR THE JACKING PITS REQUIRED FOR THE INSTALLATION OF PROPOSED STORM SEWERS, IN JACKED CASING AND STORM SEWER JACKED IN PLACE (SPECIAL), OF THE SPECIFIED DIAMETER.
29. THE CONTRACTOR SHALL SUBMIT TO THE ENGINEER FOR APPROVAL A MAINTENANCE OF TRAFFIC CONTROL AND PROTECTION PLAN FOR THE CONSTRUCTION STAGING REQUIRED TO THE PROPOSED IMPROVEMENTS ON ALL THE COMMERCIAL ENTRANCES.
30. ANY ADDITIONAL TRAFFIC CONTROL DEVICES SUCH AS BARRICADES, DRUMS, VERTICAL PANELS, SIGNS, ETC. REQUIRED FOR THE MAINTENANCE OF TRAFFIC AT THE SIDE ROADS AND ENTRANCES SHALL BE INCLUDED IN THE LUMP SUM CONTRACT UNIT PRICE FOR TRAFFIC CONTROL AND PROTECTION, (SPECIAL).
31. THE FOLLOWING QUANTITIES HAVE BEEN INCLUDED IN THE CONTRACT TO MAINTAIN THE REQUIRED ACCESS ON ENTRANCES:
4,200 FT. - TEMPORARY PAVEMENT MARKING, TYPE III
32. AT THE END OF EACH WORK DAY, THE CONTRACTOR SHALL BACKFILL OR COVER ALL TRENCHES AND OPEN EXCAVATION HOLES FOR PROPOSED STORM SEWER, DRAINAGE STRUCTURES IN ORDER TO PROVIDE A SAFE CONDITION FOR MOTORISTS AND THE PUBLIC DURING NON-WORKING HOURS. THE COST OF THIS WORK SHALL BE INCLUDED IN THE CONTRACT UNIT PRICE FOR TRAFFIC CONTROL AND PROTECTION (SPECIAL).
33. PEDESTRIAN SIGNALS SHALL REMAIN IN OPERATION AT ALL TIMES WHILE THE TEMPORARY TRAFFIC SIGNALS ARE IN USE. ANY REQUIRED ADJUSTMENT, RELOCATION OR TEMPORARY CABLING REQUIRED TO MAINTAIN PEDESTRIAN SIGNAL OPERATIONS DURING CONSTRUCTION IS INCLUDED IN THE COST OF "TEMPORARY TRAFFIC SIGNAL INSTALLATION". REFER TO TRAFFIC SIGNAL PLANS.
34. TEMPORARY RAISED REFLECTIVE PAVEMENT MARKER REMOVAL IS INCLUDED IN THE CONTRACT UNIT PRICE OF "TEMPORARY RAISED REFLECTIVE PAVEMENT MARKER".

FILE NAME =	DESIGNED - AAA	REVISED -		STATE OF ILLINOIS DIVISION OF TRANSPORTATION	MAINTENANCE OF TRAFFIC NOTES	F.A.P. RTE. =	SECTION	COUNTY	TOTAL SHEETS	SHEET NO.
... \0163998\shl-mot-stagingnotes.dgn	DRAWN - TMB	REVISED -				361	06-00214-18-RP	KANE	451	63
USER NAME = tblank	CHECKED - JMM	REVISED -				CONTRACT NO. 63598				
PLOT DATE = 2/26/2013	DATE - 01/18/2013	REVISED -				ILLINOIS FED. AID PROJECT				
SCALE: NTS						SHEET NO. 1 OF 61 SHEETS		STA. TO STA.		

SUGGESTED CONSTRUCTION SEQUENCING

PRE-STAGE

TRAFFIC:

TRAFFIC CONTROL SHALL BE IN ACCORDANCE WITH HIGHWAY STANDARDS 701001, 701006, 701011, 701306, 701326, AND 701701 AS APPLICABLE

CONSTRUCTION:

CONSTRUCT TEMPORARY PAVEMENT ON IL 25 FROM STA. 105+94 TO STA. 109+11, FROM STA. 121+65 TO STA. 123+36, AND FROM STA. 125+63 TO STA. 130+34, AND REMOVE EXISTING MEDIAN AND CONSTRUCT TEMPORARY PAVEMENT ON STEARNS RD FROM STA. 603+69 TO STA. 607+88 AS SHOWN ON THE PLANS.

INSTALL TEMPORARY CONCRETE BARRIER ON IL 25/STEARNS RD FROM STA. 122+40 TO STA. 123+38 ON THE WEST SIDE AS SHOWN ON THE PLANS.

STAGE 1A

IL 25/STEARNS RD (FROM STA 117+00 TO POE):

TRAFFIC:

PROVIDE ONE THROUGH LANE IN EACH DIRECTION ALONG IL 25/STEARNS RD WORK ZONE WITH LEFT TURN LANES AT GILBERT ST, DRIVEWAYS AT STA. 131+52, AND DUNHAM RD.

TRAFFIC UTILIZES EXISTING AND TEMPORARY PAVEMENTS FROM STA. 117+00 TO STA. 124+00 ON IL 25/STEARNS RD.

TRAFFIC UTILIZES THE SOUTHSIDE OF THE EXISTING PAVEMENT AND TEMPORARY PAVEMENT FROM STA. 124+00 TO STA. 132+15 ON IL 25/STEARNS RD.

TRAFFIC UTILIZES ALL THE EXISTING PAVEMENT FROM STA. 132+15 TO STA. 142+40 ON IL 25/STEARNS RD.

CONSTRUCTION:

INSTALL TEMPORARY CONCRETE BARRIER ON IL 25/STEARNS RD FROM STA. 122+40 TO STA. 123+38 ON THE EAST SIDE AS SHOWN ON THE PLANS.

INSTALL TEMPORARY CONCRETE BARRIER FROM STA. 124+50 TO STA. 132+00 BY THE TEMPORARY RETENTION SYSTEM.

INSTALL TEMPORARY RETENTION SYSTEM FROM STA. 124+50 TO STA. 132+00.

CONSTRUCT THE PROPOSED SOUTHBOUND PAVEMENT FROM STA. 117+00 TO STA. 122+68 AND FROM STA. 124+39 TO STA. 132+14 ON IL 25/STEARNS RD.

CONSTRUCT THE PROPOSED NORTHBOUND PAVEMENT FROM STA. 132+19 TO STA. 142+40 ON IL 25/STEARNS RD.

CONSTRUCT THE TEMPORARY PAVEMENT AS SHOWN ON THE PLANS FROM STA. 118+84 TO STA. 122+68 ON IL 25/STEARNS RD.

CONSTRUCT THE EASTBOUND BRANCH OF BREWSTER CREEK BRIDGE.

MULTI USE PATH:

TRAFFIC:

MULTI USE PATH WILL BE CLOSED BETWEEN CC&P RR AND GILBERT ST FOR ENTIRE CONSTRUCTION DURATION.

UP RAILROAD:

TRAFFIC:

MAINTAIN THE EXISTING TRAIN TRAFFIC CONFIGURATION ON THE EXISTING ALIGNMENT UTILIZING THE EXISTING BRIDGE.

CONSTRUCTION:

CONSTRUCT THE SHOO-FLY BRIDGE AS SHOWN ON THE PLANS.

IL 25/STEARNS RD (FROM POB TO STA 117+00):

IL 25/STEARNS RD AND SOUTH TIE-IN ARE STAGED WITH 2 SUBSTAGES DURING STAGE 1A AND 4 SUBSTAGES DURING STAGE 2.

STAGE 1A-1

TRAFFIC:

PROVIDE ONE THROUGH LANE IN EACH DIRECTION ALONG THE EAST SIDE OF IL 25/STEARNS RD FROM STA. 109+76 TO STA. 117+00 UTILIZING THE EAST SIDE OF EXISTING PAVEMENT, AND ALONG THE WEST SIDE OF IL 25 FROM STA. 102+50 TO STA. 109+76 UTILIZING THE WEST SIDE OF EXISTING PAVEMENT AND TEMPORARY PAVEMENT CONSTRUCTED PREVIOUSLY IN THE PRESTAGE.

PROVIDE ONE LEFT TURN LANE FROM NORTHBOUND IL 25 TO WESTBOUND STEARNS RD UTILIZING EXISTING PAVEMENT.

PROVIDE ONE WESTBOUND LANE AND 2 EASTBOUND LANES UTILIZING EXISTING AND TEMPORARY PAVEMENTS.

CONSTRUCTION:

CONSTRUCT THE PROPOSED NORTHBOUND PAVEMENT ON IL 25/STEARNS RD FROM STA. 106+91 TO STA. 109+00, THE PROPOSED SOUTHBOUND PAVEMENT ON IL 25/STEARNS RD FROM STA. 111+00 TO STA. 117+00, AND THE PROPOSED WESTBOUND PAVEMENT ON STEARNS RD FROM STA. 606+39 TO STA. 608+92 AS SHOWN ON THE PLANS.

INSTALL TEMPORARY CONCRETE BARRIER FROM STA. 106+96 TO STA. 109+00.

CONSTRUCT TEMPORARY PAVEMENT (VARIABLE DEPTH) FROM STA. 110+90 TO STA. 111+00.

STAGE 1A-2

TRAFFIC:

PROVIDE ONE THROUGH LANE IN EACH DIRECTION ALONG THE WEST SIDE OF IL 25/STEARNS RD FROM STA. 102+50 TO STA. 115+00 AND ALONG THE EAST SIDE FROM STA. 115+00 TO STA. 117+00 UTILIZING THE WEST SIDE OF THE NEW PROPOSED PAVEMENT FROM STA. 111+00 TO STA. 115+00, AND ALONG THE WEST SIDE OF IL 25/STEARNS RD FROM STA. 102+50 TO STA. 111+00 UTILIZING THE WEST SIDE OF EXISTING AND TEMPORARY PAVEMENTS.

PROVIDE ONE RIGHT TURN LANE FROM SOUTHBOUND IL-25 TO WESTBOUND STEARNS RD UTILIZING THE NEW PROPOSED PAVEMENT, AND ONE LEFT TURN LANE FROM NORTHBOUND IL-25 TO WESTBOUND STEARNS RD UTILIZING EXISTING PAVEMENT.

SAME AS STAGE 1A-1 ON STEARNS RD.

CONSTRUCTION:

CONSTRUCT THE PROPOSED NORTHBOUND PAVEMENT FROM STA. 109+00 TO STA. 113+00, AND THE PROPOSED SOUTHBOUND PAVEMENT FROM STA. 115+12 TO STA. 117+00 ON IL 25/STEARNS RD AS SHOWN ON THE PLANS

CONSTRUCT TEMPORARY PAVEMENT (VARIABLE DEPTH) FROM STA. 109+13 TO STA. 109+99.

STAGE 1B

IL 25/STEARNS RD (FROM STA 117+00 TO POE):

SAME AS STAGE 1A.

UP RAILROAD:

TRAFFIC:

SWITCH THE TRAIN TRAFFIC TO THE SHOO-FLY TEMPORARY ALIGNMENT UTILIZING THE SHOO-FLY BRIDGE.

CONSTRUCTION:

REMOVE THE EXISTING BRIDGE.

CONSTRUCT THE PROPOSED BRIDGE AS SHOWN ON THE PLANS.

STAGE 1C

IL 25/STEARNS RD (FROM STA 117+00 TO POE):

TRAFFIC:

PROVIDE ONE THROUGH LANE IN EACH DIRECTION ALONG IL 25/STEARNS RD WORK ZONE WITH LEFT TURN LANES AT DRIVEWAYS AT STA. 131+52, AND DUNHAM RD.

TRAFFIC UTILIZES THE EXISTING AND TEMPORARY PAVEMENTS FROM STA. 117+00 TO STA. 124+00 ON IL 25/STEARNS RD.

TRAFFIC UTILIZES THE SOUTHSIDE OF THE EXISTING PAVEMENT AND TEMPORARY PAVEMENT FROM STA. 124+00 TO STA. 132+15.

TRAFFIC UTILIZES THE NEW PROPOSED PAVEMENT FROM STA. 132+15 TO STA. 142+40 ON IL 25/STEARNS RD.

IL 25/STEARNS RD WILL BE DETOURED FOR 2 WEEKS FOR THE CONSTRUCTION OF IL 25/STEARNS RD/CC&P RR CROSSING.

CONSTRUCTION:

CONSTRUCT THE PROPOSED SOUTHBOUND PAVEMENT FROM STA. 122+68 TO STA. 123+55 (AFTER THE REMOVAL OF THE SHOO-FLY BRIDGE) AND FROM STA. 132+14 TO STA. 147+00 ON IL 25/STEARNS RD AS SHOWN ON THE PLANS.

CONSTRUCT THE TEMPORARY PAVEMENT AS SHOWN ON THE PLANS FROM STA. 140+00 TO STA. 142+03 ON IL 25/STEARNS RD.

CONSTRUCT THE TEMPORARY PAVEMENT (VARIABLE DEPTH) FROM STA. 130+77 TO STA. 134+11 ON IL 25/STEARNS RD AS SHOWN ON THE PLANS BEFORE SWITCHING TRAFFIC TO THE STAGE 1C CONFIGURATION.

FILE NAME =	DESIGNED - AAA	REVISED -		STATE OF ILLINOIS DIVISION OF TRANSPORTATION	MAINTENANCE OF TRAFFIC SUGGESTED CONSTRUCTION SEQUENCE	F.A.P. RTE.	SECTION	COUNTY	TOTAL SHEETS	SHEET NO.
...\\016398-shr-mot-sequencing-01.dgn	DRAWN - TMB	REVISED -				361	06-00214-18-RP	KANE	451	64
USER NAME = tblank	CHECKED - JMM	REVISED -				CONTRACT NO. 63598				
PLOT DATE = 2/26/2013	DATE - 01/18/2013	REVISED -				SCALE: NTS	SHEET NO. 2 OF 61 SHEETS	STA. TO STA.	[ILLINOIS] FED. AID PROJECT	

SUGGESTED CONSTRUCTION SEQUENCING

STAGE 1C (Continued)

GILBERT ST:

TRAFFIC:

CLOSED FOR TRAFFIC FOR 6 WEEKS, SEE THE GILBERT ST DETOUR(S).

CONSTRUCTION:

CONSTRUCT GILBERT ST DURING CLOSURE.

UP RAILROAD:

TRAFFIC:

SWITCH THE TRAIN TRAFFIC TO PROPOSED CONFIGURATION UTILIZING THE NEW PROPOSED BRIDGE.

CONSTRUCTION:

REMOVE THE SHOO-FLY BRIDGE.

CC&P CROSSING:

INSTALL THE CC&P CROSSING DURING THE IL 25/STEARNS RD CLOSURE.

STAGE 2

IL-25:

TRAFFIC:

PROVIDE ONE THROUGH LANE IN EACH DIRECTION ALONG IL 25/STEARNS RD WORK ZONE WITH LEFT TURN LANES AT GILBERT ST, DRIVEWAYS AT STA. 131+52, AND DUNHAM RD.

TRAFFIC UTILIZES THE PROPOSED SOUTHBOUND PAVEMENT AND TEMPORARY PAVEMENT FROM STA. 117+00 TO STA. 124+00 ON IL 25/STEARNS RD.

TRAFFIC UTILIZES THE PROPOSED SOUTHBOUND PAVEMENT FROM STA. 124+00 TO STA. 142+40 ON IL 25/STEARNS RD.

CONSTRUCTION:

CONSTRUCT THE PROPOSED NORTHBOUND PAVEMENT FROM STA. 117+00 TO STA. 132+19 ON IL 25/STEARNS RD.

IL 25/STEARNS RD (FROM POB TO STA 117+00);

STAGE 2-1

TRAFFIC:

PROVIDE ONE THROUGH LANE IN EACH DIRECTION ALONG THE WEST SIDE OF IL 25/STEARNS RD FROM STA. 102+50 TO STA. 117+00 UTILIZING THE WEST SIDE OF EXISTING AND TEMPORARY PAVEMENTS FROM STA. 102+50 TO STA. 111+00 AND THE WEST SIDE OF THE NEW PROPOSED PAVEMENT FROM STA. 111+00 TO STA. 117+00.

PROVIDE ONE RIGHT TURN LANE FROM SOUTHBOUND IL 25/STEARNS RD TO WESTBOUND STEARNS RD UTILIZING THE NEW PROPOSED PAVEMENT, AND ONE LEFT TURN LANE FROM NORTHBOUND IL 25 TO WESTBOUND STEARNS RD UTILIZING EXISTING PAVEMENT.

SAME AS STAGE 1A-1 FOR STEARNS RD.

CONSTRUCTION:

CONSTRUCT THE PROPOSED NORTHBOUND PAVEMENT ON IL 25/STEARNS RD FROM STA. 113+00 TO STA. 117+00 AS SHOWN ON THE PLANS.

STAGE 2-2

TRAFFIC:

IL 25 WILL BE CLOSED FROM STA. 102+50 TO STA. 110+00 FOR 2 WEEKS, SEE SOUTH END TIE-IN DETOUR.

PROVIDE ONE LANE FROM STEARNS RD EASTBOUND TO NORTHBOUND ON IL 25/STEARNS RD, AND ONE LANE FROM SOUTHBOUND IL 25/STEARNS RD HEADING WESTBOUND ON STEARNS RD.

CONSTRUCTION:

CONSTRUCT THE PROPOSED FULL SECTION PAVEMENT FROM STA. 102+50 TO STA. 106+91 DURING CLOSURE AS SHOWN ON THE PLANS.

STAGE 2-3

TRAFFIC:

PROVIDE ONE THROUGH LANE IN EACH DIRECTION ALONG THE EAST SIDE OF IL 25/STEARNS RD FROM STA. 102+50 TO STA. 114+00 UTILIZING THE NEW PROPOSED NORTHBOUND PAVEMENT AND THE WEST SIDE OF IL 25/STEARNS RD FROM STA 114+00 TO STA 117+00 UTILIZING THE NEW PROPOSED PAVEMENT.

PROVIDE ONE RIGHT TURN LANE FROM SOUTHBOUND IL 25/STEARNS RD TO WESTBOUND STEARNS RD UTILIZING THE NEW PROPOSED PAVEMENT, AND ONE LEFT TURN LANE FROM NORTHBOUND IL 25 TO WESTBOUND STEARNS RD UTILIZING NEW PROPOSED PAVEMENT.

FOR STEARNS RD PROVIDE ONE WESTBOUND THROUGH LANE AND TWO LANES FOR EASTBOUND.

CONSTRUCTION:

CONSTRUCT THE PROPOSED NORTHWEST CORNER OF IL 25 AND STEARNS RD FROM STA 110+04 TO STA. 111+00 AS SHOWN ON THE PLANS.

STAGE 2-4

TRAFFIC:

PROVIDE ONE THROUGH LANE IN EACH DIRECTION ALONG THE EAST SIDE OF IL 25/STEARNS RD FROM STA. 102+50 TO STA. 114+00 UTILIZING THE NEW PROPOSED NORTHBOUND PAVEMENT AND THE WEST SIDE OF IL-25 FROM STA 114+00 TO STA 117+00 UTILIZING THE NEW PROPOSED PAVEMENT.

PROVIDE ONE RIGHT TURN LANE FROM SOUTHBOUND IL 25/STEARNS RD TO WESTBOUND STEARNS RD UTILIZING THE NEW PROPOSED PAVEMENT.

FOR STEARNS RD PROVIDE ONE WESTBOUND THROUGH LANE AND ONE EASTBOUND LANE FOR IL 25.

CONSTRUCTION:

CONSTRUCT THE PROPOSED SOUTHBOUND PAVEMENT ON IL 25 FROM STA. 106+91 TO STA. 110+03, AND THE PROPOSED EASTBOUND PAVEMENT ON STEARNS RD FROM STA. 606+39 TO STA. 609+27 AS SHOWN ON THE PLANS.

STAGE 3:

TRAFFIC:

PROPOSED CONDITION WITH A LANE BUFFER CLOSURE AROUND THE WORK ZONE AREAS.

CONSTRUCTION:

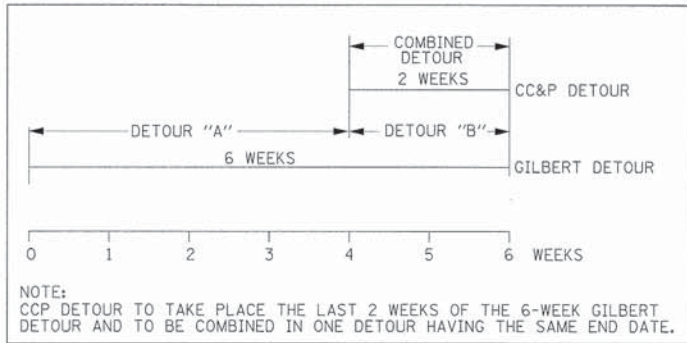
COMPLETE PROPOSED MEDIAN AND LANDSCAPING FROM STA. 110+45 TO STA. 116+00, FROM STA. 124+34 TO STA. 129+30, AND FROM STA. 134+00 TO STA. 142+40 ON IL 25/STEARNS RD.

COMPLETE PROPOSED MEDIAN AND LANDSCAPING FROM STA. 603+70 TO STA. 608+45 ON STEARNS RD.

COMPLETE CURB & GUTTER AND MULTI USE PATH ON WEST SIDE OF IL 25/STEARNS RD FROM STA. 117+86 TO STA. 123+63.

COMPLETE PROPOSED PAVEMENT & MEDIAN FROM STA. 129+30 TO STA. 134+00 ON IL 25/STEARNS RD.

FILE NAME +	DESIGNED - AAA	REVISED -		STATE OF ILLINOIS DIVISION OF TRANSPORTATION	MAINTENANCE OF TRAFFIC SUGGESTED CONSTRUCTION SEQUENCE	F.A.P. RTE.	SECTION	COUNTY	TOTAL SHEETS	SHEET NO.
...\\D163998-shf-mat-sequencing-02.dgn	DRAWN - TMB	REVISED -				361	06-00214-18-RP	KANE	451	65
USER NAME = tbj@rk	CHECKED - JMM	REVISED -				CONTRACT NO. 63598				
PLOT DATE + 2/26/2013	DATE - 01/18/2013	REVISED -				[ILLINOIS] FED. AID PROJECT				
SCALE: NTS						SHEET NO. 3 OF 61 SHEETS		STA. TO STA.		



LEGEND

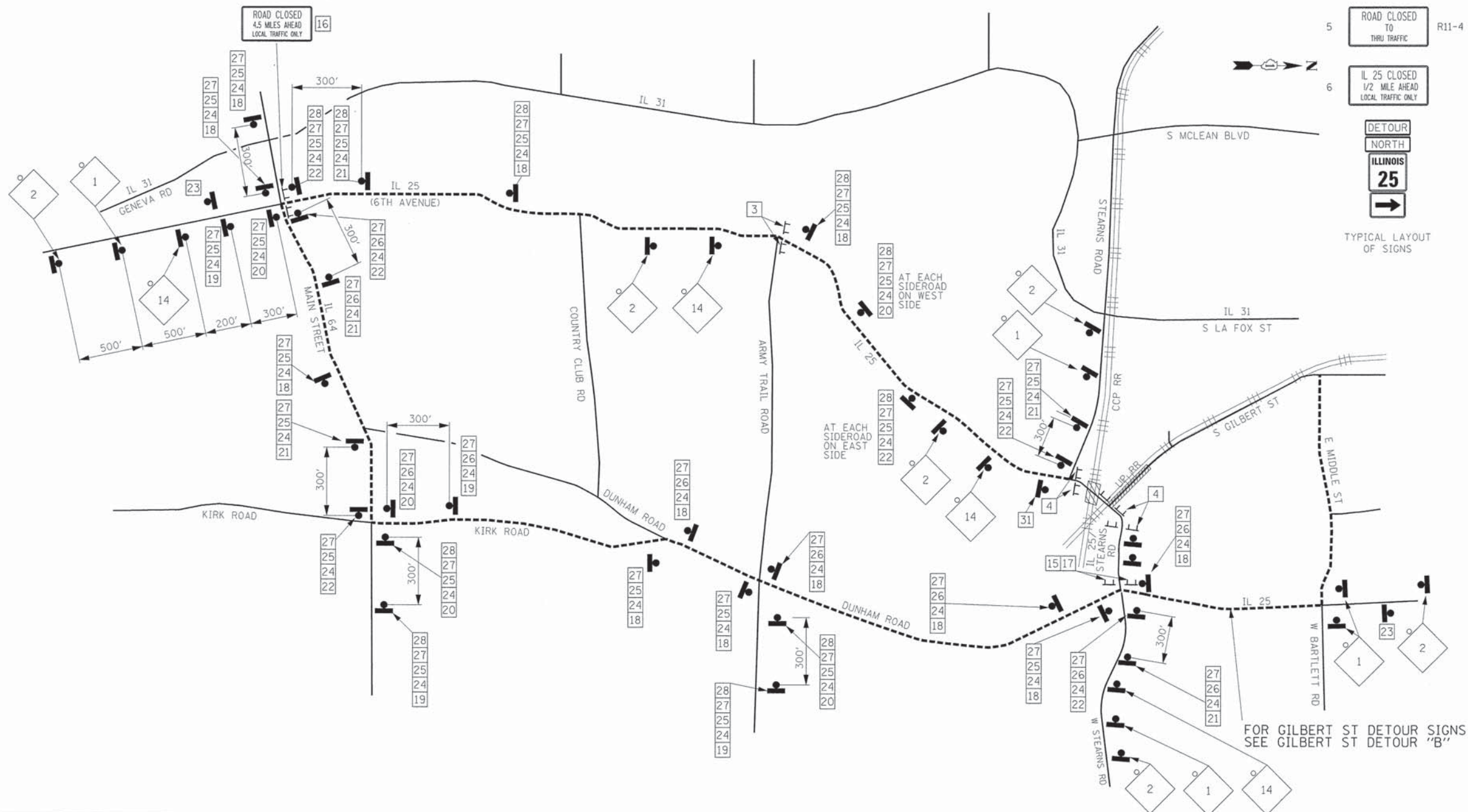
- 48" x 48" (1.2 m x 1.2 m) CONSTRUCTION WARNING SIGN, WITH AMBER FLASHING LIGHT NUMBER DENOTES TYPE
- M4-9 SERIES DETOUR SIGN WITH ROAD NAME AND DIRECTION PLATES, NUMBER DENOTES TYPE
- OTHER DETOUR SIGNS, NUMBER DENOTES TYPE
- TYPE III BARRICADE WITH AMBER FLASHING LIGHTS
- DETOUR ROUTE
- WORK ZONE

DETOUR NOTES

1. THE CONTRACTOR MUST FURNISH, INSTALL, MAINTAIN AND REMOVE ALL TEMPORARY SIGN SUPPORTS. AFTER REMOVING THE SUPPORTS, THE CONTRACTOR MUST FILL HOLES (IF ANY) AND RESTORE THE GROUND TO ITS ORIGINAL CONDITION AND ELEVATION. THE COST OF PLACING GRAVEL, SOD OR SEED MUST BE INCLUDED IN THE UNIT BID PRICE FOR "TRAFFIC CONTROL & PROTECTION (SPECIAL)".
2. ALL SIGNS, SUPPORTS AND POSITIONING MUST BE IN ACCORDANCE WITH THE MANUAL ON UNIFORM TRAFFIC CONTROL DEVICES, LATEST EDITION.
3. SIGNING SHALL BE PLACED AT LOCATION THAT WILL BE COMPATIBLE WITH EXISTING SIGNING.
4. ALL EXISTING SIGNS OR OTHER DETOUR SIGNS THAT CONFLICT WITH THE DETOUR MUST BE COVERED.

SCHEDULE OF QUANTITIES

SIGN NUMBER	SIGN TYPE	SIGN NUMBER	SIGN TYPE
1	DETOUR AHEAD	14	ROAD CLOSED 500 FT
2	ROAD CLOSED AHEAD	15	DETOUR
3	ROAD CLOSED 1/2 MILE AHEAD LOCAL TRAFFIC ONLY	16	DETOUR
4	ROAD CLOSED	17	ROAD CLOSED 1/2 MILE AHEAD LOCAL TRAFFIC ONLY
5	ROAD CLOSED TO THRU TRAFFIC	18	M6-3 2115
6	IL 25 CLOSED 1/2 MILE AHEAD LOCAL TRAFFIC ONLY	19	M5-1R 2115
	DETOUR NORTH	20	M6-1R 2115
	ILLINOIS 25	21	M5-1L 2115
	NORTH	22	M6-1L 2115
	SOUTH	23	END DETOUR
	DETOUR	24	ILLINOIS 25
	TO	25	NORTH
	GILBERT ST	26	SOUTH
		27	DETOUR
		28	TO
		29	GILBERT ST
		30	R3-2 30"x30"
		31	R3-2 30"x30"



LEGEND

- 48" x 48" (1.2 m x 1.2 m) CONSTRUCTION WARNING SIGN, WITH AMBER FLASHING LIGHT NUMBER DENOTES TYPE
- M4-9 SERIES DETOUR SIGN WITH ROAD NAME AND DIRECTION PLATES, NUMBER DENOTES TYPE
- OTHER DETOUR SIGNS, NUMBER DENOTES TYPE
- TYPE III BARRICADE WITH AMBER FLASHING LIGHTS
- DETOUR ROUTE
- WORK ZONE

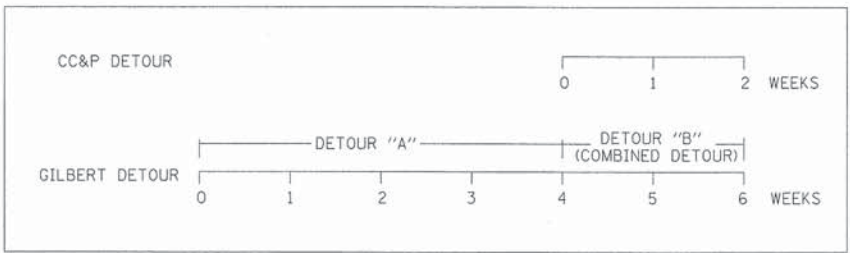
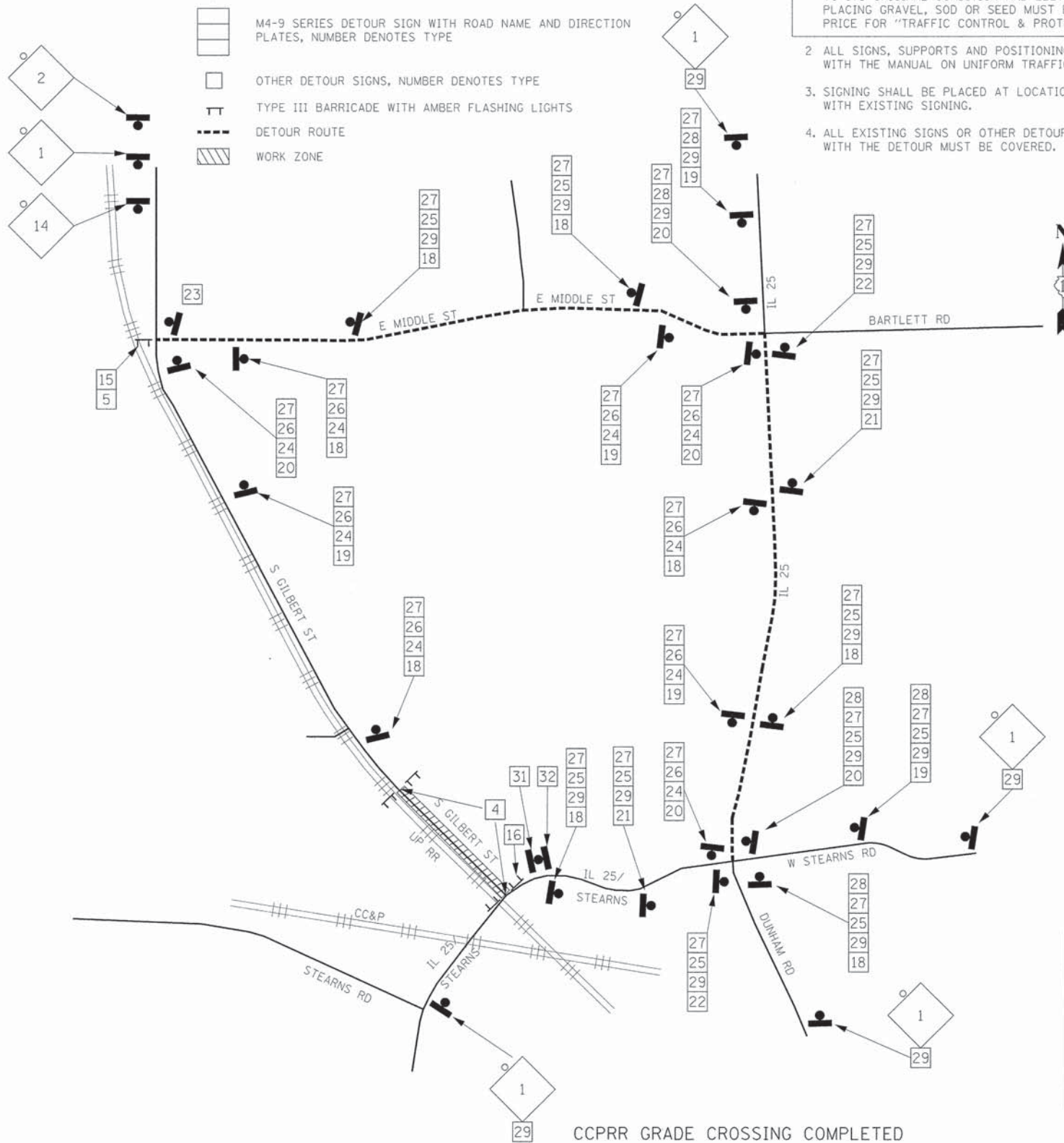
DETOUR NOTES

1. THE CONTRACTOR MUST FURNISH, INSTALL, MAINTAIN AND REMOVE ALL TEMPORARY SIGN SUPPORTS. AFTER REMOVING THE SUPPORTS, THE CONTRACTOR MUST FILL HOLES (IF ANY) AND RESTORE THE GROUND TO ITS ORIGINAL CONDITION AND ELEVATION. THE COST OF PLACING GRAVEL, SOD OR SEED MUST BE INCLUDED IN THE UNIT BID PRICE FOR "TRAFFIC CONTROL & PROTECTION (SPECIAL)".
2. ALL SIGNS, SUPPORTS AND POSITIONING MUST BE IN ACCORDANCE WITH THE MANUAL ON UNIFORM TRAFFIC CONTROL DEVICES, LATEST EDITION.
3. SIGNING SHALL BE PLACED AT LOCATION THAT WILL BE COMPATIBLE WITH EXISTING SIGNING.
4. ALL EXISTING SIGNS OR OTHER DETOUR SIGNS THAT CONFLICT WITH THE DETOUR MUST BE COVERED.

SCHEDULE OF QUANTITIES

SIGN NUMBER	SIGN TYPE	SIGN NUMBER	SIGN TYPE
1	DETOUR AHEAD	14	ROAD CLOSED 500 FT
2	ROAD CLOSED AHEAD	15	DETOUR
3	ROAD CLOSED 1 MILE AHEAD LOCAL TRAFFIC ONLY	16	DETOUR
4	ROAD CLOSED	17	ROAD CLOSED 1/2 MILE AHEAD LOCAL TRAFFIC ONLY
5	ROAD CLOSED TO THRU TRAFFIC	18	UP
6	IL 25 CLOSED 1/2 MILE AHEAD LOCAL TRAFFIC ONLY	19	RIGHT TURN
	DETOUR NORTH	20	RIGHT TURN
	ILLINOIS 25	21	LEFT TURN
	RIGHT TURN	22	LEFT TURN
		23	END DETOUR
		24	ILLINOIS 25
		25	NORTH
		26	SOUTH
		27	DETOUR
		28	TO
		29	GILBERT ST
		30	NO RIGHT TURN
		31	NO LEFT TURN

TYPICAL LAYOUT OF SIGNS



FILE NAME =	DESIGNED - AAA	REVISED -
... \016398-sht-detour-gil-A.dgn	DRAWN - TMB	REVISED -
USER NAME = tblank	CHECKED - JMM	REVISED -
PLOT DATE = 2/26/2013	DATE - 01/18/2013	REVISED -



STATE OF ILLINOIS
DIVISION OF TRANSPORTATION

MAINTENANCE OF TRAFFIC
GILBERT ST DETOUR A

SCALE: NTS SHEET NO. 5 OF 61 SHEETS STA. TO STA.

F.A.P. RTE.	SECTION	COUNTY	TOTAL SHEETS	SHEET NO.
361	06-00214-18-RP	KANE	451	67
CONTRACT NO. 63598			ILLINOIS FED. AID PROJECT	

LEGEND

- 48" x 48" (1.2 m x 1.2 m) CONSTRUCTION WARNING SIGN, WITH AMBER FLASHING LIGHT NUMBER DENOTES TYPE
- M4-9 SERIES DETOUR SIGN WITH ROAD NAME AND DIRECTION PLATES, NUMBER DENOTES TYPE
- OTHER DETOUR SIGNS, NUMBER DENOTES TYPE
- TYPE III BARRICADE WITH AMBER FLASHING LIGHTS
- DETOUR ROUTE
- WORK ZONE

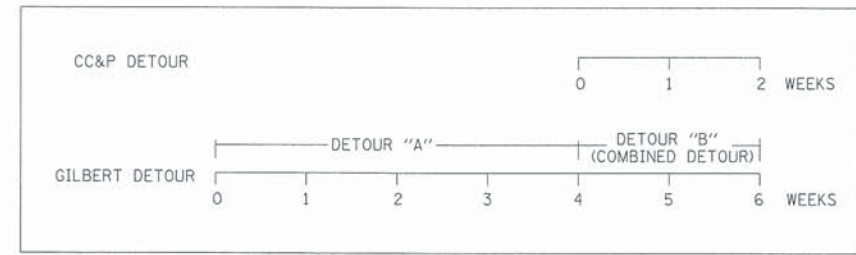
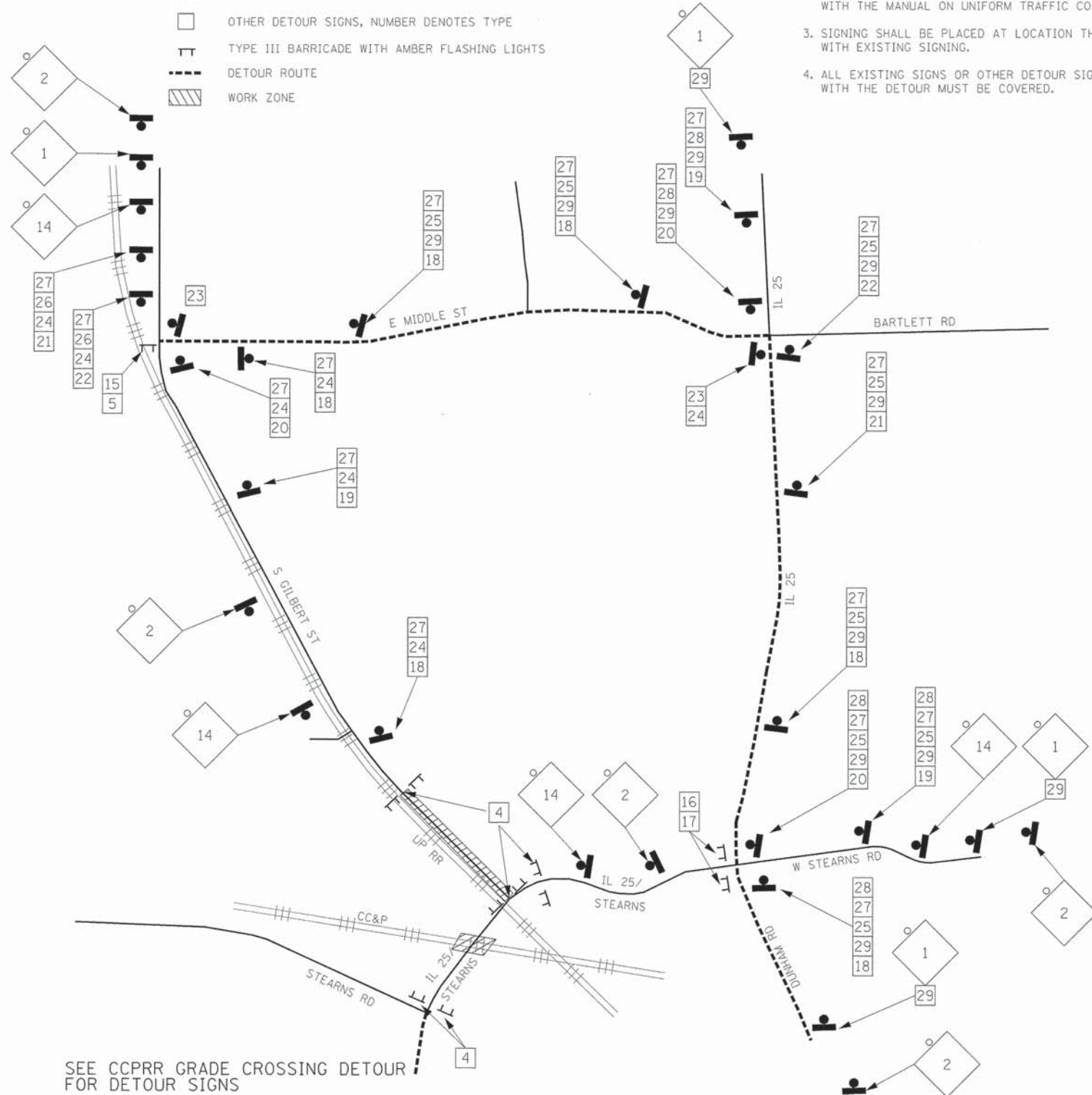
DETOUR NOTES

1. THE CONTRACTOR MUST FURNISH, INSTALL, MAINTAIN AND REMOVE ALL TEMPORARY SIGN SUPPORTS. AFTER REMOVING THE SUPPORTS, THE CONTRACTOR MUST FILL HOLES (IF ANY) AND RESTORE THE GROUND TO ITS ORIGINAL CONDITION AND ELEVATION. THE COST OF PLACING GRAVEL, SOD OR SEED MUST BE INCLUDED IN THE UNIT BID PRICE FOR "TRAFFIC CONTROL & PROTECTION (SPECIAL)".
2. ALL SIGNS, SUPPORTS AND POSITIONING MUST BE IN ACCORDANCE WITH THE MANUAL ON UNIFORM TRAFFIC CONTROL DEVICES, LATEST EDITION.
3. SIGNING SHALL BE PLACED AT LOCATION THAT WILL BE COMPATIBLE WITH EXISTING SIGNING.
4. ALL EXISTING SIGNS OR OTHER DETOUR SIGNS THAT CONFLICT WITH THE DETOUR MUST BE COVERED.

SCHEDULE OF QUANTITIES

SIGN NUMBER	SIGN TYPE	SIGN NUMBER	SIGN TYPE
1	W20-2 (0) 48	14	ROAD CLOSED 500 ft
2	W20-3 (0) 48	15	DETOUR
3	ROAD CLOSED 1/2 MILE AHEAD LOCAL TRAFFIC ONLY R11-3 6030	16	DETOUR
4	ROAD CLOSED R11-4 6030	17	ROAD CLOSED 1/2 MILE AHEAD LOCAL TRAFFIC ONLY R11-3 6030
5	ROAD CLOSED TO THRU TRAFFIC R11-4	18	M6-3 2115
6	IL 25 CLOSED 1/2 MILE AHEAD LOCAL TRAFFIC ONLY	19	M5-1R 2115
	DETOUR NORTH	20	M6-1R 2115
	ILLINOIS 25	21	M5-1L 2115
	DETOUR SOUTH	22	M6-1L 2115
	NORTH	23	END DETOUR M4-8a (0) 2418
	SOUTH	24	ILLINOIS 25 M1-I100 (0) 2424
	DETOUR	25	NORTH M3-2 (0) 2412
	TO	26	SOUTH M3-4 (0) 2412
	GILBERT ST	27	DETOUR M1-7 2412
	R3-2 30"x30"	28	TO M4-5
	R3-2 30"x30"	29	GILBERT ST M1-I100 (0) 2412
		30	R3-2 30"x30"
		31	R3-2 30"x30"

TYPICAL LAYOUT OF SIGNS



SEE CC&P GRADE CROSSING DETOUR FOR DETOUR SIGNS

FILE NAME =	DESIGNED - AAA	REVISED -
...D163598-shd-detour-gil-B.dgn	DRAWN - TMB	REVISED -
USER NAME = tblank	CHECKED - JMM	REVISED -
PLOT DATE = 2/26/2013	DATE - 01/18/2013	REVISED -









STATE OF ILLINOIS
DIVISION OF TRANSPORTATION

MAINTENANCE OF TRAFFIC
GILBERT ST DETOUR B

SCALE: NTS SHEET NO. 6 OF 61 SHEETS STA. TO STA.

F.A.P. RTE.	SECTION	COUNTY	TOTAL SHEETS	SHEET NO.
361	06-00214-18-RP	KANE	451	63
CONTRACT NO. 63598				
ILLINOIS FED. AID PROJECT				

LEGEND

-  48" x 48" (1.2 m x 1.2 m) CONSTRUCTION WARNING SIGN, WITH AMBER FLASHING LIGHT NUMBER DENOTES TYPE
-  M4-9 SERIES DETOUR SIGN WITH ROAD NAME AND DIRECTION PLATES, NUMBER DENOTES TYPE
-  OTHER DETOUR SIGNS, NUMBER DENOTES TYPE
-  TYPE III BARRICADE WITH AMBER FLASHING LIGHTS
-  DETOUR ROUTE
-  WORK ZONE

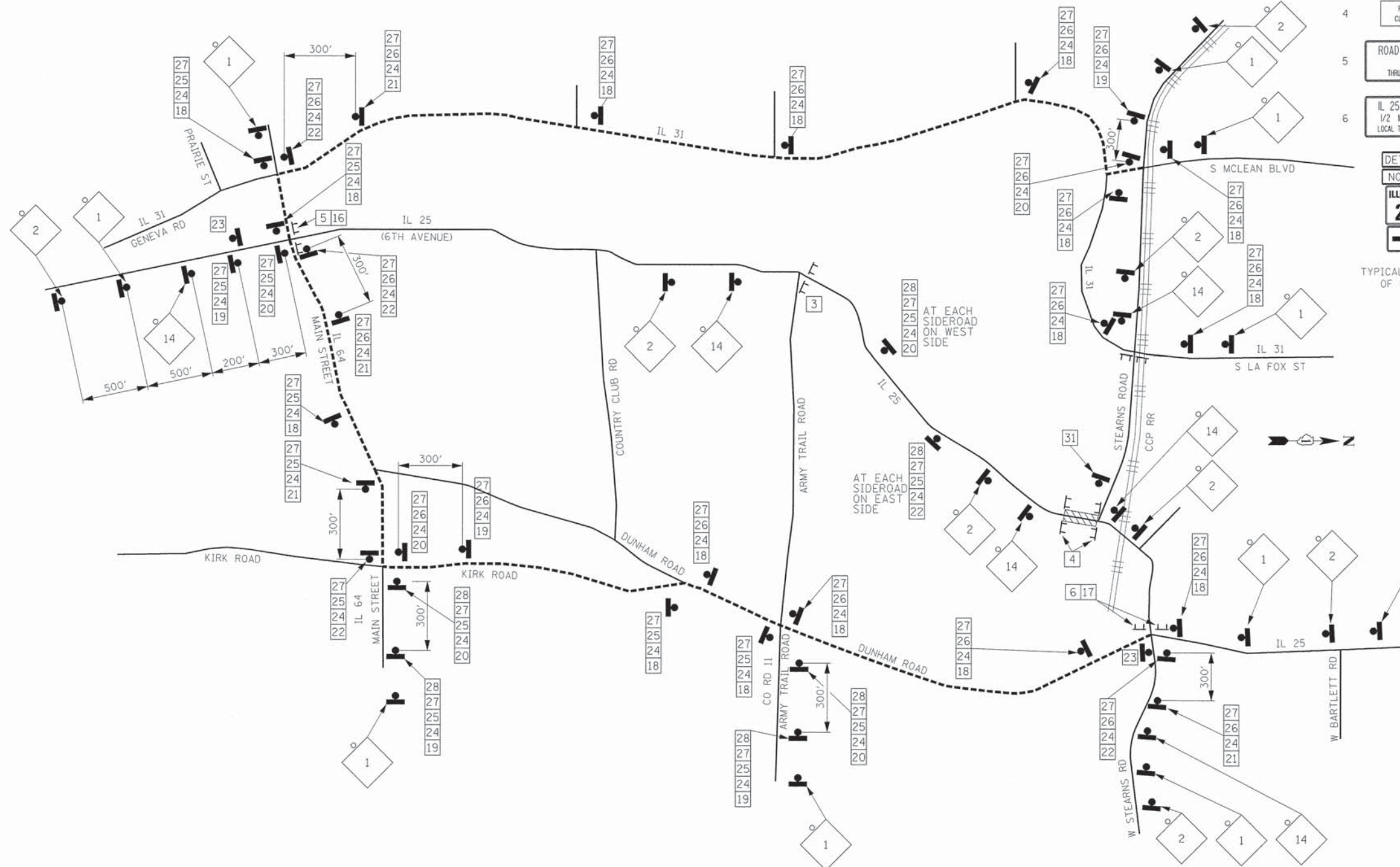
DETOUR NOTES

1. THE CONTRACTOR MUST FURNISH, INSTALL, MAINTAIN AND REMOVE ALL TEMPORARY SIGN SUPPORTS. AFTER REMOVING THE SUPPORTS, THE CONTRACTOR MUST FILL HOLES (IF ANY) AND RESTORE THE GROUND TO ITS ORIGINAL CONDITION AND ELEVATION. THE COST OF PLACING GRAVEL, SOD OR SEED MUST BE INCLUDED IN THE UNIT BID PRICE FOR "TRAFFIC CONTROL & PROTECTION (SPECIAL)".
2. ALL SIGNS, SUPPORTS AND POSITIONING MUST BE IN ACCORDANCE WITH THE MANUAL ON UNIFORM TRAFFIC CONTROL DEVICES, LATEST EDITION.
3. SIGNING SHALL BE PLACED AT LOCATION THAT WILL BE COMPATIBLE WITH EXISTING SIGNING.
4. ALL EXISTING SIGNS OR OTHER DETOUR SIGNS THAT CONFLICT WITH THE DETOUR MUST BE COVERED.

SCHEDULE OF QUANTITIES

SIGN NUMBER	SIGN TYPE	SIGN NUMBER	SIGN TYPE
1	DETOUR AHEAD W20-2 (0) 48	14	ROAD CLOSED 500 FT
2	ROAD CLOSED AHEAD W20-3 (0) 48	15	DETOUR
3	ROAD CLOSED 1/2 MILE AHEAD LOCAL TRAFFIC ONLY R11-3 6030	16	DETOUR
4	ROAD CLOSED R11-4 6030	17	ROAD CLOSED 1/2 MILE AHEAD LOCAL TRAFFIC ONLY R11-3 6030
5	ROAD CLOSED TO THRU TRAFFIC R11-4	18	UP ARROW M6-3 2115
6	IL 25 CLOSED 1/2 MILE AHEAD LOCAL TRAFFIC ONLY	19	RIGHT TURN ARROW M5-1R 2115
		20	RIGHT TURN ARROW M6-1R 2115
		21	LEFT TURN ARROW M5-1L 2115
		22	LEFT TURN ARROW M6-1L 2115
		23	END DETOUR M4-8a (0) 2418
		24	ILLINOIS 25 M1-I100 (0) 2424
		25	NORTH M3-2 (0) 2412
		26	SOUTH M3-4 (0) 2412
		27	DETOUR M1-7 2412
		28	TO M4-5
		29	GILBERT ST M1-I100 (0) 2412
		30	NO LEFT TURN R3-2 30"x30"
		31	NO RIGHT TURN R3-2 30"x30"

TYPICAL LAYOUT OF SIGNS



FILE NAME =	DESIGNED - AAA	REVISED -
... \0163598-shi-detour-southand.dgn	DRAWN - TMB	REVISED -
USER NAME = tblank	CHECKED - JMM	REVISED -
PLOT DATE = 2/26/2013	DATE - 01/18/2013	REVISED -

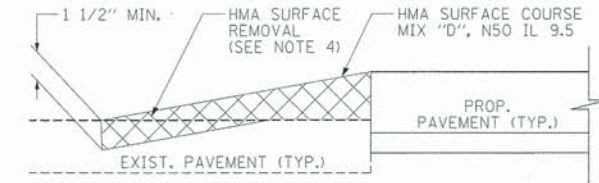
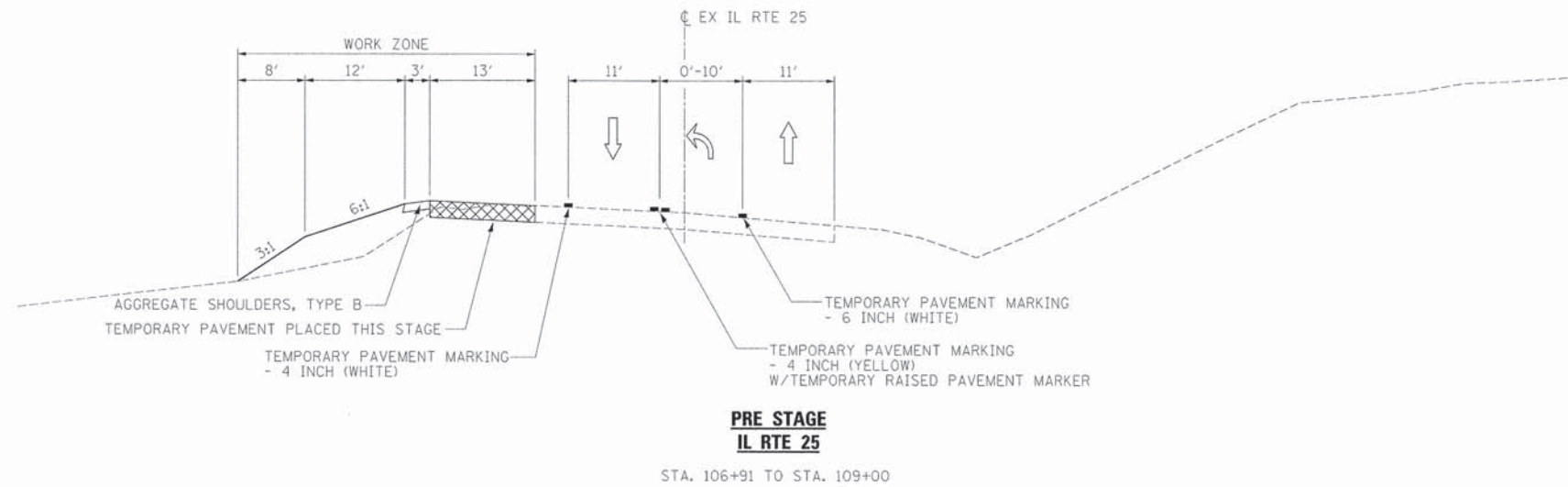


STATE OF ILLINOIS
DIVISION OF TRANSPORTATION

MAINTENANCE OF TRAFFIC
IL 25 SOUTH TIE-IN DETOUR

SCALE: NTS SHEET NO. 7 OF 61 SHEETS STA. TO STA.

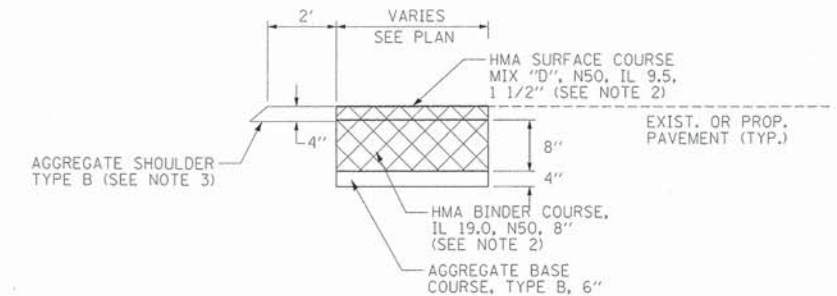
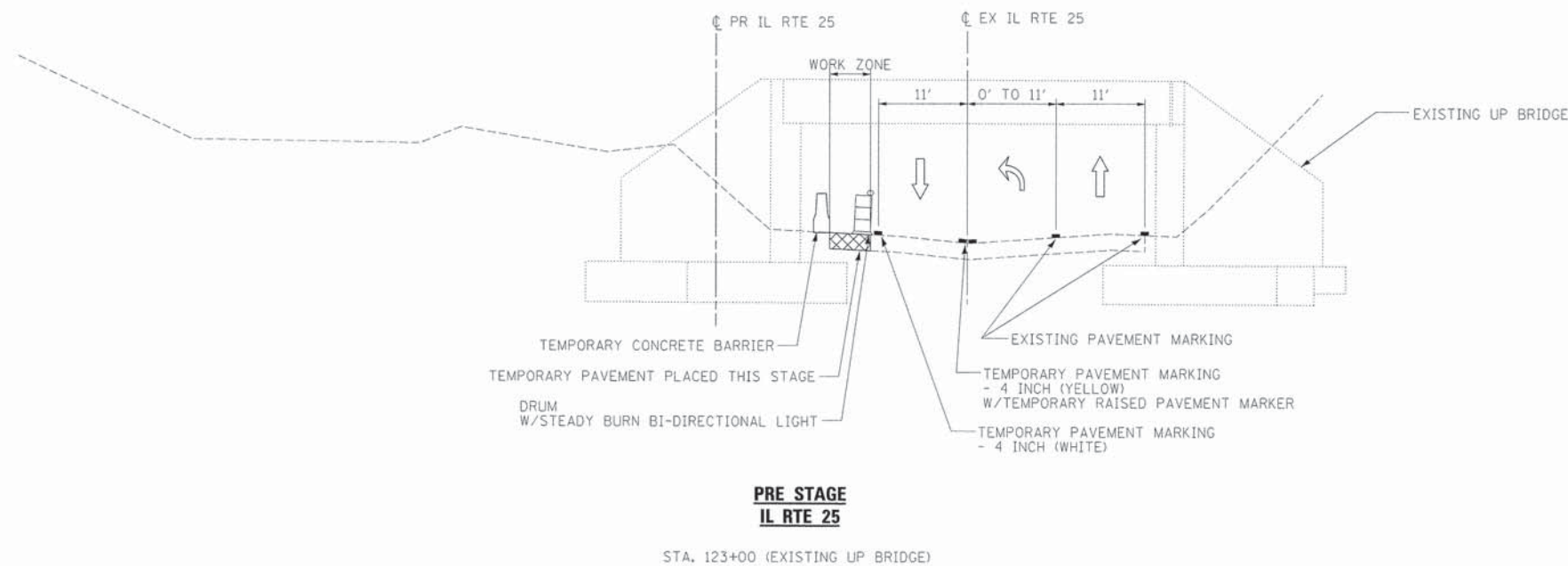
F.A.P. RTE.	SECTION	COUNTY	TOTAL SHEETS	SHEET NO.
361	06-00214-18-RP	KANE	451	69
CONTRACT NO. 63598				ILLINOIS FED. AID PROJECT



TEMPORARY PAVEMENT VARIABLE DEPTH DETAIL
N.T.S

TEMPORARY PAVEMENT VARIABLE DEPTH DETAIL NOTES:

- CROSS SLOPE OF TEMPORARY PAVEMENT SHALL BE DETERMINED IN FIELD TO PROVIDE A REASONABLE TRANSITION BETWEEN THE EXISTING AND PROPOSED PAVEMENT ELEVATIONS
- THE LONGITUDINAL SLOPE OF THE TEMPORARY PAVEMENT MAY ALSO REQUIRE TRANSITIONING TO PROVIDE A MAXIMUM SLOPE OF 5% TRANSITION BETWEEN PAVEMENTS
- THE COST OF HMA SURFACE COURSE, MIX "D", N50, IL 9.5 SHALL BE PAID AT THE CONTRACT UNIT PRICE OF "TEMPORARY PAVEMENT VARIABLE DEPTH"
- HMA SURFACE REMOVAL VARIABLE DEPTH SHALL BE PERFORMED AT THE EDGE OF THE TEMPORARY PAVEMENT VARIABLE DEPTH AS DIRECTED BY ENGINEER. THE COST OF THE HMA SURFACE REMOVAL WILL NOT BE PAID FOR SEPARATELY BUT THE COST WILL BE INCLUDED IN THE UNIT PRICE OF "TEMPORARY PAVEMENT VARIABLE DEPTH"
- ALTERNATE HMA MIXES MAY BE UTILIZED FOR TEMPORARY PAVEMENT VARIABLE DEPTH WITH THE APPROVAL OF THE ENGINEER
- THE COST OF REMOVING TEMPORARY PAVEMENT VARIABLE DEPTH WILL BE PAID FOR AT THE CONTRACT UNIT PRICE OF "PAVEMENT REMOVAL"



TEMPORARY PAVEMENT DETAIL
N.T.S

TEMPORARY PAVEMENT DETAIL NOTES:

- CROSS SLOPE OF TEMPORARY PAVEMENT SHALL MATCH THE CROSS SLOPE OF EXISTING OR PROPOSED PAVEMENT UNLESS OTHERWISE DIRECTED BY THE ENGINEER
- THE COST OF HMA SURFACE COURSE, MIX "D", N50, IL 9.5 AND HMA BINDER COURSE IL 19.0 SHALL BE PAID FOR AT THE CONTRACT UNIT PRICE OF "TEMPORARY PAVEMENT". AGGREGATE BASE COURSE, TYPE B, 6" SHALL BE FOR AT THE CONTRACT UNIT PRICE OF "AGGREGATE BASE COURSE, TYPE B, 6"."
- AGGREGATE SHOULDER TYPE B WILL BE PAID FOR SEPARATELY BUT SHALL BE INCLUDED IN THE COST OF "TEMPORARY PAVEMENT".
- PORTLAND CEMENT CONCRETE BASE COURSE OF A THICKNESS OF 9" MAY BE USED AS A SUBSTITUTE FOR TEMPORARY HMA PAVEMENT DETAIL
- THE COST OF REMOVING TEMPORARY PAVEMENT WILL BE PAID FOR AT THE CONTRACT UNIT PRICE OF "PAVEMENT REMOVAL"

LEGEND



FILE NAME =	DESIGNED - AAA	REVISED -
...\\0163598-aht-mot-typr125-01.dgn	DRAWN - TMB	REVISED -
USER NAME = tblank	CHECKED - JMM	REVISED -
PLOT DATE = 2/26/2013	DATE - 01/18/2013	REVISED -

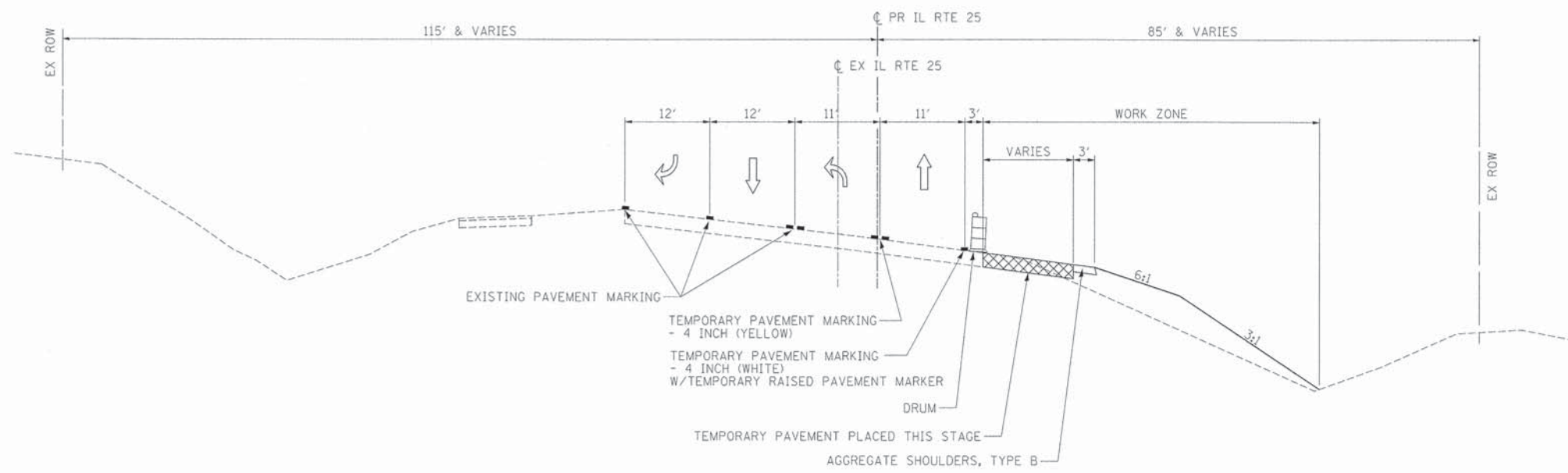


STATE OF ILLINOIS
DIVISION OF TRANSPORTATION

MAINTENANCE OF TRAFFIC
TYPICAL SECTION - PRE STAGE

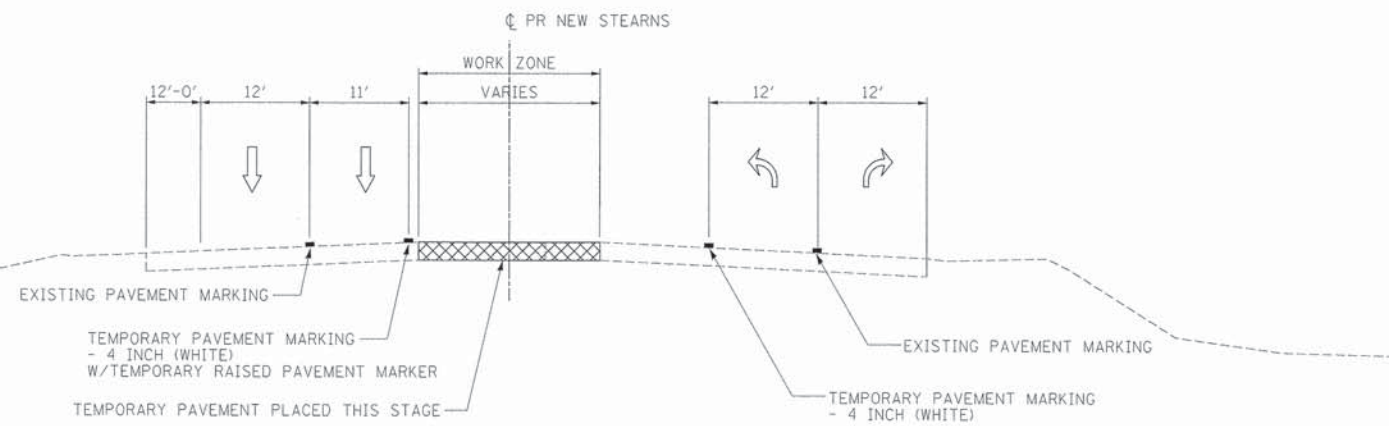
F.A.P. RTE.	SECTION	COUNTY	TOTAL SHEETS	SHEET NO.
361	06-00214-18-RP	KANE	451	70
CONTRACT NO. 63598			ILLINOIS FED. AID PROJECT	

SCALE: NTS SHEET NO. 8 OF 61 SHEETS STA. TO STA.



**PRE STAGE
IL RTE 25**

STA. 125+63 TO STA. 130+34



**PRE STAGE
STEARNS RD**

STA. 603+69 TO STA. 607+88

FILE NAME =	DESIGNED - AAA	REVISED -
...\\016398-ah-mot-typ-125-02.dgn	DRAWN - TMB	REVISED -
USER NAME = tbiark	CHECKED - JMM	REVISED -
PLT DATE = 2/26/2013	DATE - 01/18/2013	REVISED -

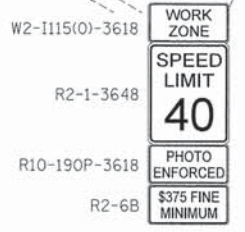
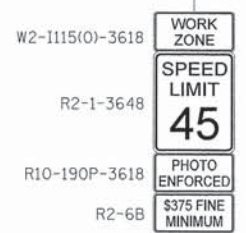
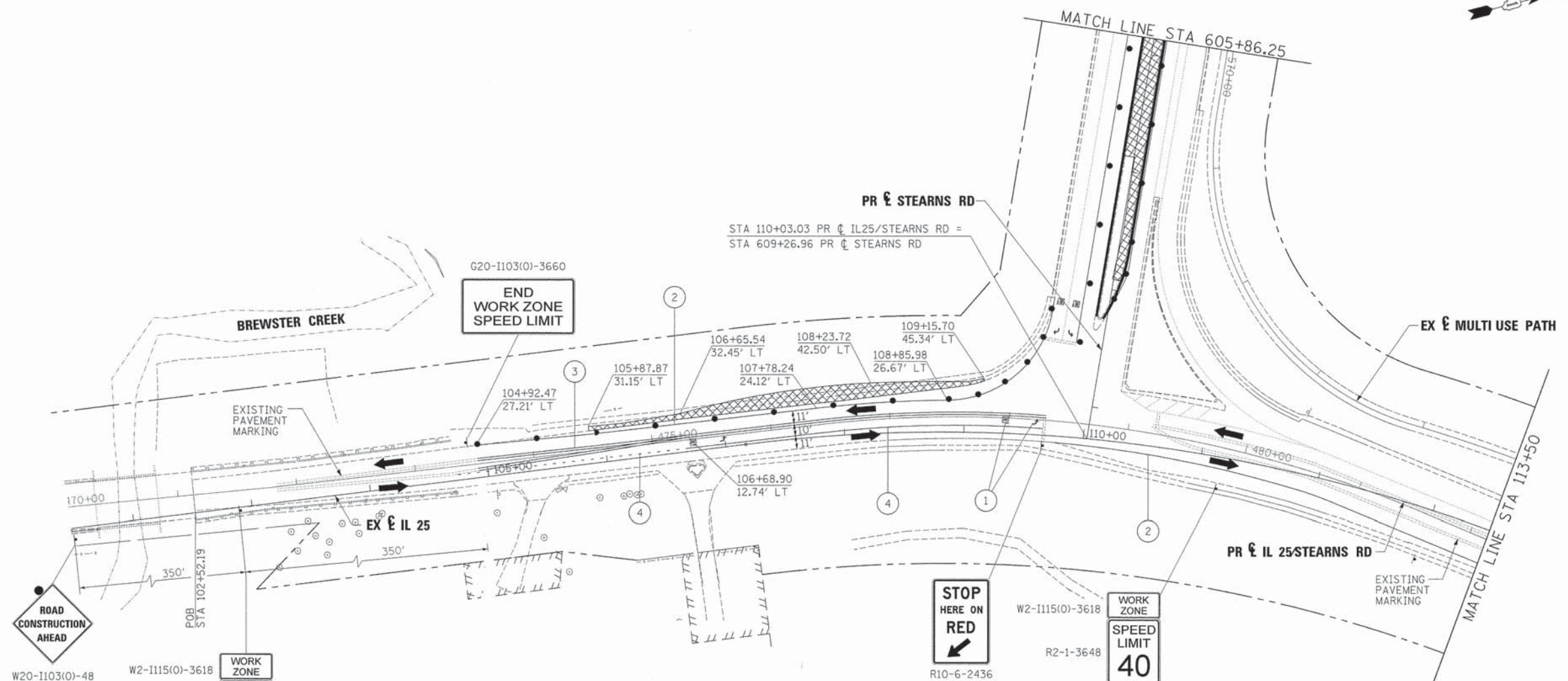


STATE OF ILLINOIS
DIVISION OF TRANSPORTATION

MAINTENANCE OF TRAFFIC
TYPICAL SECTION - PRE STAGE

F.A.P. RTE.	SECTION	COUNTY	TOTAL SHEETS	SHEET NO.
361	06-00214-18-RP	KANE	451	71
CONTRACT NO. 63598				
ILLINOIS FED. AID PROJECT				

SCALE: NTS SHEET NO. 9 OF 61 SHEETS STA. TO STA.



LEGEND

- WORK AREA
 - BRIDGE WORK AREA
 - TEMPORARY PAVEMENT PLACED PREVIOUS STAGE
 - TEMPORARY PAVEMENT PLACED THIS STAGE
 - FLASHING ARROW BOARD
 - TRAFFIC LANE
 - TYPE III BARRICADES
 - TEMPORARY SIGN
 - IMPACT ATTENUATOR
 - DRUMS w/ STEADY BURN BI-DIRECTIONAL LIGHTS @ 50' CENTERS (TYP.)
 - @ 25' CENTERS ON CURVES
 - @ 20' CENTERS ON TAPERS
 - DRUMS w/ STEADY BURN MONO-DIRECTIONAL LIGHTS @ 20' CENTERS ON TAPERS
- ① TEMPORARY PAVEMENT MARKING - LETTERS AND SYMBOLS (WHITE)
 - ② TEMPORARY PAVEMENT MARKING - 4 INCH (WHITE)
 - ③ TEMPORARY PAVEMENT MARKING - 4 INCH (YELLOW) w/ TEMPORARY RAISED REFLECTIVE PAVEMENT MARKER
 - ④ TEMPORARY PAVEMENT MARKING - 6 INCH (WHITE) w/ TEMPORARY RAISED REFLECTIVE PAVEMENT MARKER
 - ⑤ TEMPORARY PAVEMENT MARKING - 12 INCH (WHITE)
 - ⑥ TEMPORARY PAVEMENT MARKING - 12 INCH (YELLOW)
 - ⑦ TEMPORARY PAVEMENT MARKING - 24 INCH (WHITE)
 - ⑧ TEMPORARY PAVEMENT MARKING - 4 INCH (YELLOW)

FILE NAME =	DESIGNED - AAA	REVISED -
...\\0163598-sht-IL25-stn-mot-prestage-01.dgn	DRAWN - TMB	REVISED -
USER NAME = tblank	CHECKED - JMM	REVISED -
PLOT DATE = 2/26/2013	DATE - 01/18/2013	REVISED -



**STATE OF ILLINOIS
DIVISION OF TRANSPORTATION**

**MAINTENANCE OF TRAFFIC
IL 25/STEARNS RD PRESTAGE**

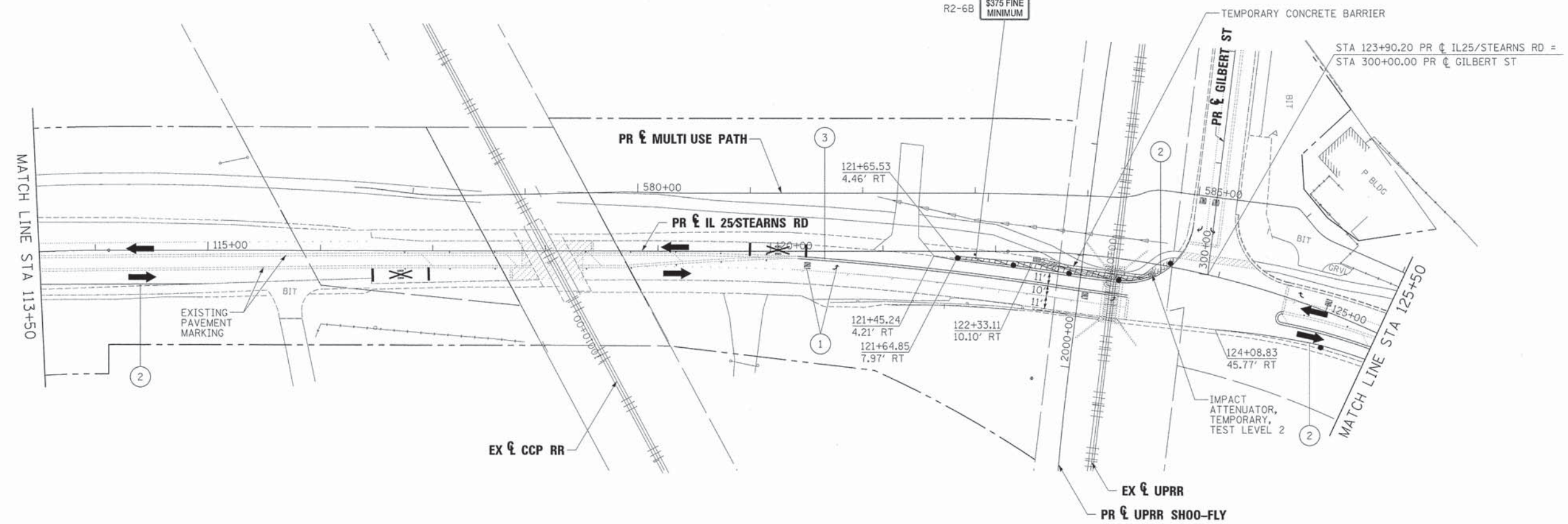
SCALE: 1"=50' SHEET NO. 10 OF 61 SHEETS STA. TO STA.

F.A.P. RTE.	SECTION	COUNTY	TOTAL SHEETS	SHEET NO.
361	06-00214-18-RP	KANE	451	72
CONTRACT NO. 63598				
ILLINOIS FED. AID PROJECT				



W2-1115(0)-3618
R2-1-3648
R10-190P-3618
R2-6B

WORK ZONE
SPEED LIMIT 40
PHOTO ENFORCED
\$375 FINE MINIMUM



- LEGEND**
- | | | | |
|--|--|---|---|
| | WORK AREA | ① | TEMPORARY PAVEMENT MARKING - LETTERS AND SYMBOLS (WHITE) |
| | BRIDGE WORK AREA | ② | TEMPORARY PAVEMENT MARKING - 4 INCH (WHITE) |
| | TEMPORARY PAVEMENT PLACED PREVIOUS STAGE | ③ | TEMPORARY PAVEMENT MARKING - 4 INCH (YELLOW) w/ TEMPORARY RAISED REFLECTIVE PAVEMENT MARKER |
| | TEMPORARY PAVEMENT PLACED THIS STAGE | ④ | TEMPORARY PAVEMENT MARKING - 6 INCH (WHITE) w/ TEMPORARY RAISED REFLECTIVE PAVEMENT MARKER |
| | FLASHING ARROW BOARD | ⑤ | TEMPORARY PAVEMENT MARKING - 12 INCH (WHITE) |
| | TRAFFIC LANE | ⑥ | TEMPORARY PAVEMENT MARKING - 12 INCH (YELLOW) |
| | TYPE III BARRICADES | ⑦ | TEMPORARY PAVEMENT MARKING - 24 INCH (WHITE) |
| | TEMPORARY SIGN | ⑧ | TEMPORARY PAVEMENT MARKING - 4 INCH (YELLOW) |
| | IMPACT ATTENUATOR | | |
| | DRUMS w/ STEADY BURN BI-DIRECTIONAL LIGHTS
⊙ 50' CENTERS (TYP.)
⊙ 25' CENTERS ON CURVES
⊙ 20' CENTERS ON TAPERS | | |
| | DRUMS w/ STEADY BURN MONO-DIRECTIONAL LIGHTS
⊙ 20' CENTERS ON TAPERS | | |

FILE NAME =	DESIGNED - AAA	REVISED -
...\\D163598-sht-IL25-stn-mot-prestage-02.dgn	DRAWN - TMB	REVISED -
USER NAME = tblank	CHECKED - JMM	REVISED -
PLDT DATE = 2/26/2013	DATE - 01/18/2013	REVISED -

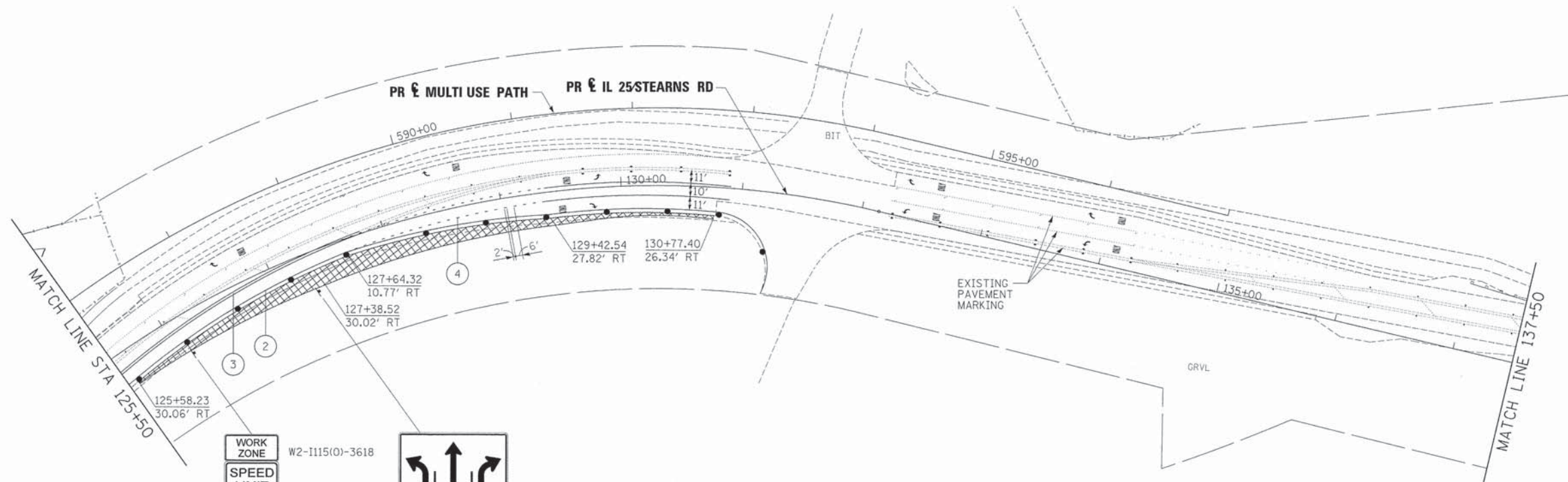


STATE OF ILLINOIS
DIVISION OF TRANSPORTATION

MAINTENANCE OF TRAFFIC
IL 25/STEARNS RD PRESTAGE

SCALE: 1"=50' SHEET NO. 11 OF 61 SHEETS STA. TO STA.

F.A.P. RTE.	SECTION	COUNTY	TOTAL SHEETS	SHEET NO.
361	06-00214-18-RP	KANE	451	73
CONTRACT NO. 63598				
ILLINOIS FED. AID PROJECT				



WORK ZONE	W2-II15(O)-3618
SPEED LIMIT	R2-1-3648
40	
PHOTO ENFORCED	R10-190P-3618
\$375 FINE MINIMUM	R2-6B

	R3-8B-3048
ONLY ONLY ONLY	

LEGEND

- | | | | |
|--|--|---|---|
| | WORK AREA | ① | TEMPORARY PAVEMENT MARKING - LETTERS AND SYMBOLS (WHITE) |
| | BRIDGE WORK AREA | ② | TEMPORARY PAVEMENT MARKING - 4 INCH (WHITE) |
| | TEMPORARY PAVEMENT PLACED PREVIOUS STAGE | ③ | TEMPORARY PAVEMENT MARKING - 4 INCH (YELLOW) w/ TEMPORARY RAISED REFLECTIVE PAVEMENT MARKER |
| | TEMPORARY PAVEMENT PLACED THIS STAGE | ④ | TEMPORARY PAVEMENT MARKING - 6 INCH (WHITE) w/ TEMPORARY RAISED REFLECTIVE PAVEMENT MARKER |
| | FLASHING ARROW BOARD | ⑤ | TEMPORARY PAVEMENT MARKING - 12 INCH (WHITE) |
| | TRAFFIC LANE | ⑥ | TEMPORARY PAVEMENT MARKING - 12 INCH (YELLOW) |
| | TYPE III BARRICADES | ⑦ | TEMPORARY PAVEMENT MARKING - 24 INCH (WHITE) |
| | TEMPORARY SIGN | ⑧ | TEMPORARY PAVEMENT MARKING - 4 INCH (YELLOW) |
| | IMPACT ATTENUATOR | | |
| | DRUMS w/ STEADY BURN BI-DIRECTIONAL LIGHTS
⊙ 50' CENTERS (TYP.)
⊙ 25' CENTERS ON CURVES
⊙ 20' CENTERS ON TAPERS | | |
| | DRUMS w/ STEADY BURN MONO-DIRECTIONAL LIGHTS
⊙ 20' CENTERS ON TAPERS | | |

FILE NAME =	DESIGNED - AAA	REVISED -
...\\D163598-shit-IL25-stn-mot-prestage-03.dgn	DRAWN - TMB	REVISED -
USER NAME = tblank	CHECKED - JMM	REVISED -
PLOT DATE = 2/26/2013	DATE - 01/18/2013	REVISED -

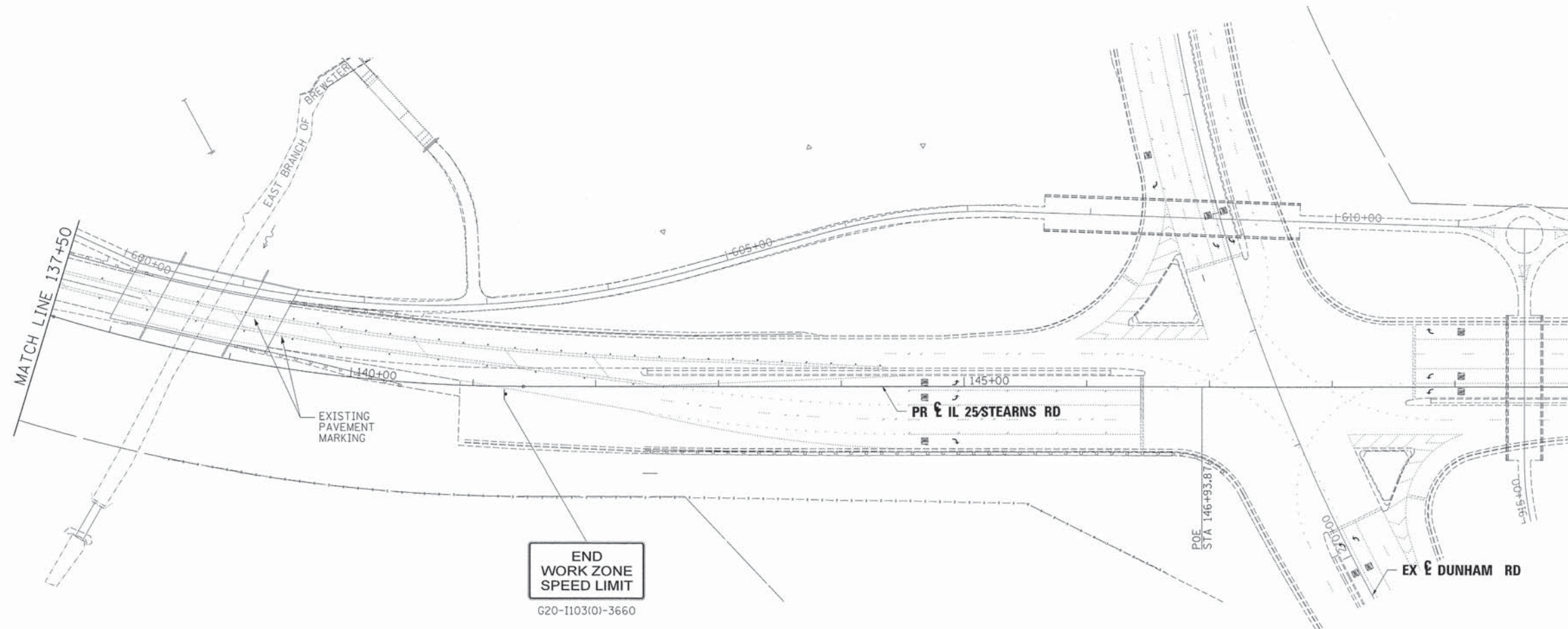


**STATE OF ILLINOIS
DIVISION OF TRANSPORTATION**

**MAINTENANCE OF TRAFFIC
IL 25/STEARNS RD PRESTAGE**

SCALE: 1"=50' SHEET NO. 12 OF 61 SHEETS STA. TO STA.

F.A.P. RTE.	SECTION	COUNTY	TOTAL SHEETS	SHEET NO.
361	06-00214-18-RP	KANE	451	74
CONTRACT NO. 63598			ILLINOIS FED. AID PROJECT	



**END
WORK ZONE
SPEED LIMIT**
620-1103(0)-3660

LEGEND

- | | | | |
|--|--|---|---|
| | WORK AREA | ① | TEMPORARY PAVEMENT MARKING - LETTERS AND SYMBOLS (WHITE) |
| | BRIDGE WORK AREA | ② | TEMPORARY PAVEMENT MARKING - 4 INCH (WHITE) |
| | TEMPORARY PAVEMENT PLACED PREVIOUS STAGE | ③ | TEMPORARY PAVEMENT MARKING - 4 INCH (YELLOW) w/ TEMPORARY RAISED REFLECTIVE PAVEMENT MARKER |
| | TEMPORARY PAVEMENT PLACED THIS STAGE | ④ | TEMPORARY PAVEMENT MARKING - 6 INCH (WHITE) w/ TEMPORARY RAISED REFLECTIVE PAVEMENT MARKER |
| | FLASHING ARROW BOARD | ⑤ | TEMPORARY PAVEMENT MARKING - 12 INCH (WHITE) |
| | TRAFFIC LANE | ⑥ | TEMPORARY PAVEMENT MARKING - 12 INCH (YELLOW) |
| | TYPE III BARRICADES | ⑦ | TEMPORARY PAVEMENT MARKING - 24 INCH (WHITE) |
| | TEMPORARY SIGN | ⑧ | TEMPORARY PAVEMENT MARKING - 4 INCH (YELLOW) |
| | IMPACT ATTENUATOR | | |
| | DRUMS w/ STEADY BURN BI-DIRECTIONAL LIGHTS
⊙ 50' CENTERS (TYP.)
⊙ 25' CENTERS ON CURVES
⊙ 20' CENTERS ON TAPERS | | |
| | DRUMS w/ STEADY BURN MONO-DIRECTIONAL LIGHTS
⊙ 20' CENTERS ON TAPERS | | |

FILE NAME =	DESIGNED - AAA	REVISED -
...\\D163598-sh-IL25-atr-mot-prestage-04.dgn	DRAWN - TMB	REVISED -
USER NAME = tblank	CHECKED - JMM	REVISED -
PLOT DATE = 2/26/2013	DATE - 01/18/2013	REVISED -

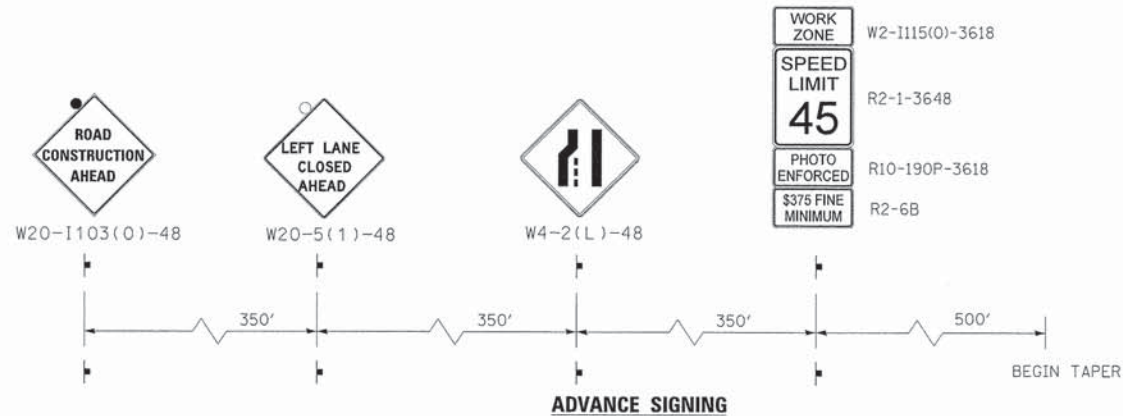
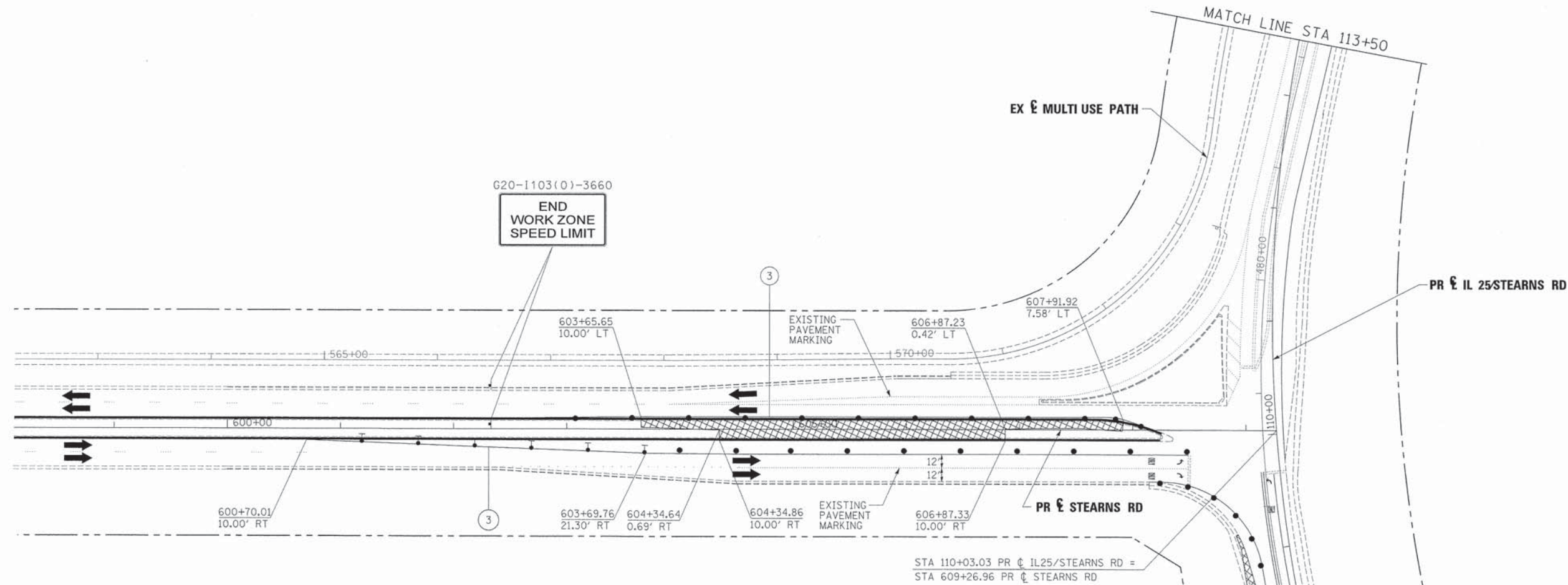


**STATE OF ILLINOIS
DIVISION OF TRANSPORTATION**

**MAINTENANCE OF TRAFFIC
IL 25 STEARNS RD PRESTAGE**

SCALE: 1"=50' SHEET NO. 13 OF 61 SHEETS STA. TO STA.

F.A.P. RTE.	SECTION	COUNTY	TOTAL SHEETS	SHEET NO.
361	06-00214-18-RP	KANE	451	75
CONTRACT NO. 63598				
[ILLINOIS] FED. AID PROJECT				



LEGEND

- WORK AREA
- BRIDGE WORK AREA
- TEMPORARY PAVEMENT PLACED PREVIOUS STAGE
- TEMPORARY PAVEMENT PLACED THIS STAGE
- FLASHING ARROW BOARD
- TRAFFIC LANE
- TYPE III BARRICADES
- TEMPORARY SIGN
- IMPACT ATTENUATOR
- DRUMS w/ STEADY BURN BI-DIRECTIONAL LIGHTS
 @ 50' CENTERS (TYP.)
 @ 25' CENTERS ON CURVES
 @ 20' CENTERS ON TAPERS
- DRUMS w/ STEADY BURN MONO-DIRECTIONAL LIGHTS
 @ 20' CENTERS ON TAPERS

- ① TEMPORARY PAVEMENT MARKING - LETTERS AND SYMBOLS (WHITE)
- ② TEMPORARY PAVEMENT MARKING - 4 INCH (WHITE)
- ③ TEMPORARY PAVEMENT MARKING - 4 INCH (YELLOW) w/ TEMPORARY RAISED REFLECTIVE PAVEMENT MARKER
- ④ TEMPORARY PAVEMENT MARKING - 6 INCH (WHITE) w/ TEMPORARY RAISED REFLECTIVE PAVEMENT MARKER
- ⑤ TEMPORARY PAVEMENT MARKING - 12 INCH (WHITE)
- ⑥ TEMPORARY PAVEMENT MARKING - 12 INCH (YELLOW)
- ⑦ TEMPORARY PAVEMENT MARKING - 24 INCH (WHITE)
- ⑧ TEMPORARY PAVEMENT MARKING - 4 INCH (YELLOW)

FILE NAME =	DESIGNED - AAA	REVISED -
... \0163998-shr-IL25-stn-mat-prestage-18.dgn	DRAWN - TMB	REVISED -
USER NAME = tblank	CHECKED - JMM	REVISED -
PLOT DATE = 2/26/2013	DATE - 01/18/2013	REVISED -

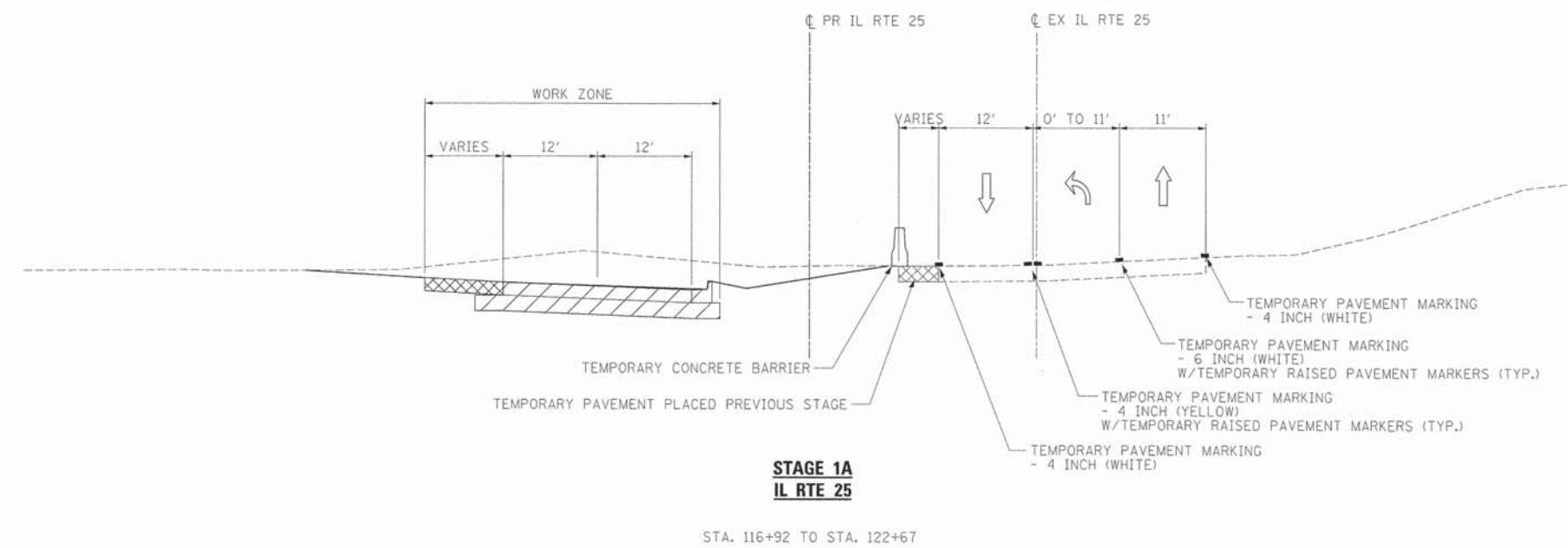
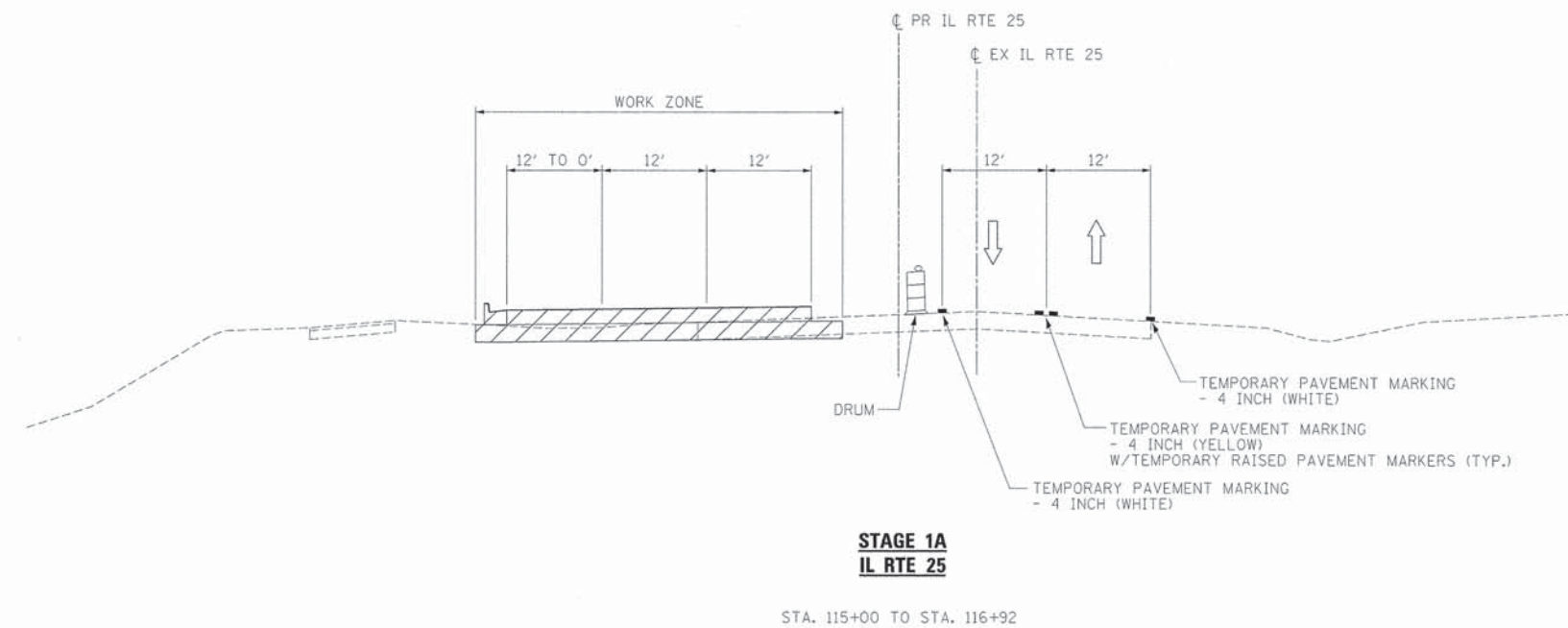


**STATE OF ILLINOIS
DIVISION OF TRANSPORTATION**

**MAINTENANCE OF TRAFFIC
IL 25/STEARNS RD PRESTAGE**

SCALE: 1"=50' SHEET NO. 14 OF 61 SHEETS STA. TO STA.

F.A.P. RTE.	SECTION	COUNTY	TOTAL SHEETS	SHEET NO.
361	06-00214-18-RP	KANE	451	76
				CONTRACT NO. 63598
ILLINOIS FED. AID PROJECT				



FILE NAME =	DESIGNED - AAA	REVISED -
...\\D163998-shh-mo-typ-1125-03.dgn	DRAWN - TMB	REVISED -
USER NAME = tblank	CHECKED - JMM	REVISED -
PLOT DATE = 2/26/2013	DATE - 01/18/2013	REVISED -

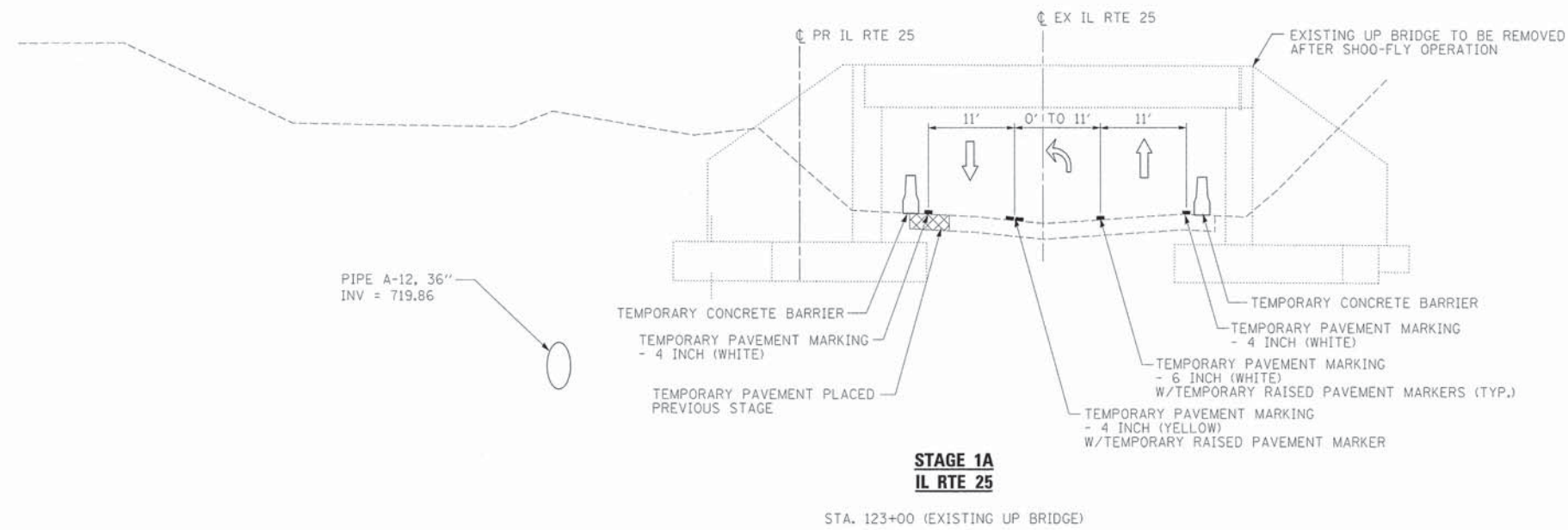
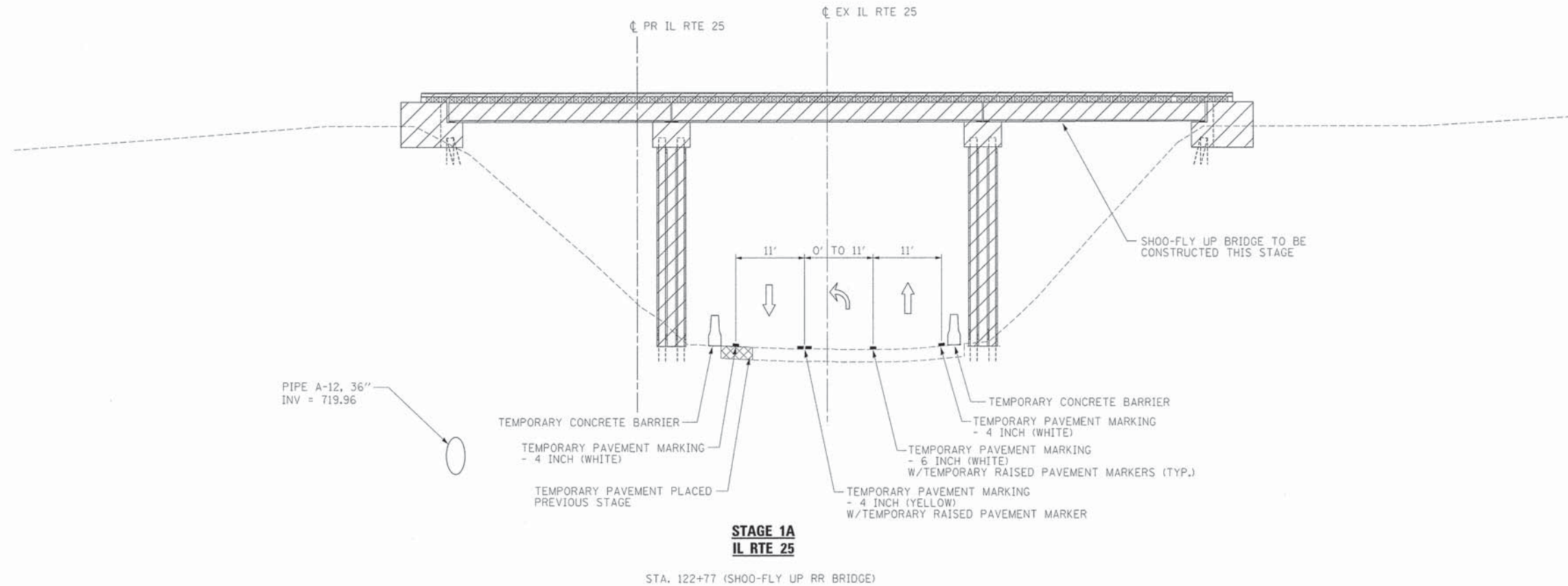


**STATE OF ILLINOIS
DIVISION OF TRANSPORTATION**

**MAINTENANCE OF TRAFFIC
TYPICAL SECTION - STAGE 1A**

SCALE: NTS SHEET NO. 15 OF 61 SHEETS STA. TO STA.

F.A.P. RTE.	SECTION	COUNTY	TOTAL SHEETS	SHEET NO.
361	06-00214-18-RP	KANE	451	77
CONTRACT NO. 63598				
ILLINOIS FED. AID PROJECT				



FILE NAME =	DESIGNED - AAA	REVISED -
...\\D163598-shh-mot-tyr-125-84.dgn	DRAWN - TMB	REVISED -
USER NAME = sb1ank	CHECKED - JMM	REVISED -
PLOT DATE = 2/26/2013	DATE - 01/18/2013	REVISED -

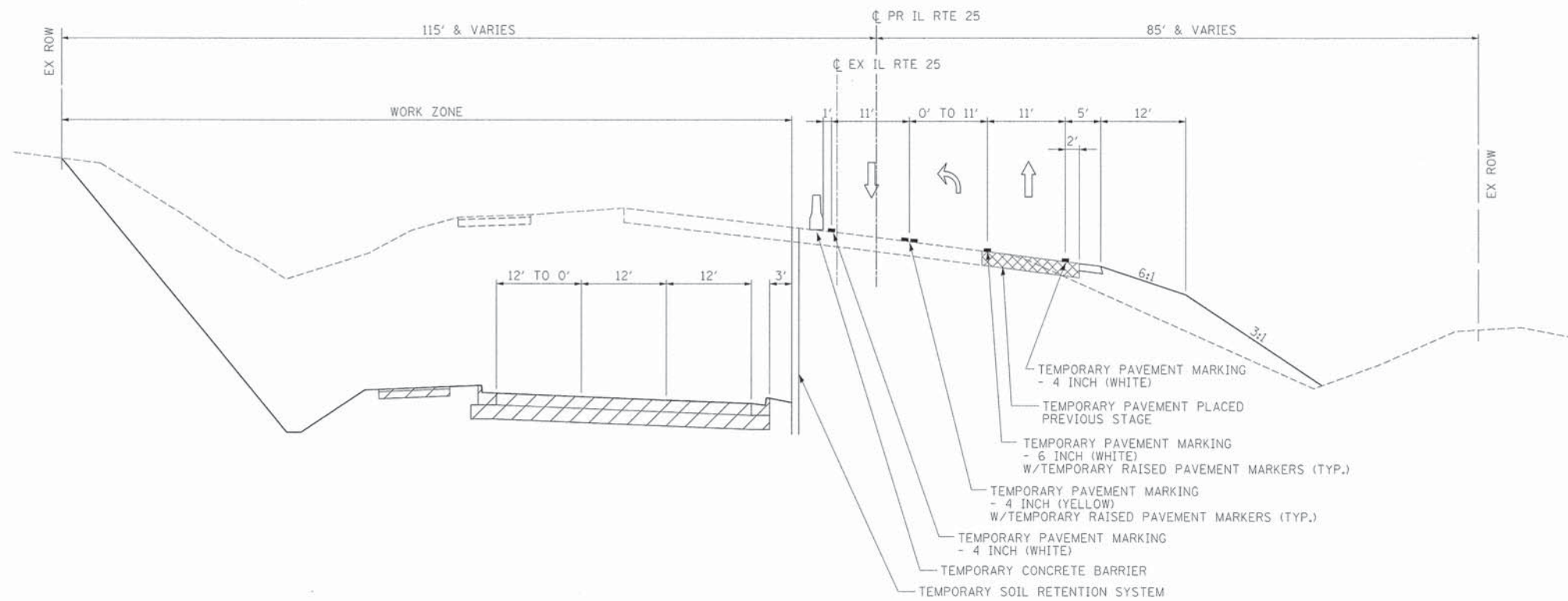


**STATE OF ILLINOIS
DIVISION OF TRANSPORTATION**

**MAINTENANCE OF TRAFFIC
TYPICAL SECTION - STAGE 1A**

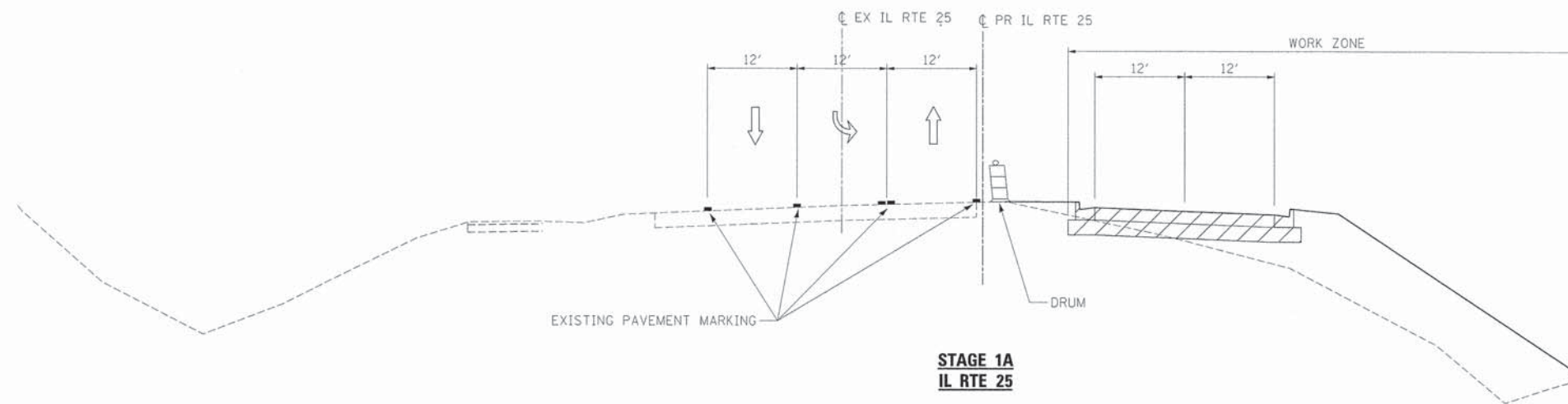
SCALE: NTS SHEET NO. 16 OF 61 SHEETS STA. TO STA.

F.A.P. RTE.	SECTION	COUNTY	TOTAL SHEETS	SHEET NO.
361	06-00214-18-RP	KANE	451	78
CONTRACT NO. 63598				
ILLINOIS FED. AID PROJECT				



**STAGE 1A
IL RTE 25**

STA. 125+63 TO STA. 130+34



**STAGE 1A
IL RTE 25**

STA. 132+19 TO STA. 142+40

FILE NAME =	DESIGNED - AAA	REVISED -
...\\0163998-sht-mot-typ-125-05.dgn	DRAWN - TMB	REVISED -
USER NAME = tblank	CHECKED - JMM	REVISED -
PLOT DATE = 2/26/2013	DATE - 01/18/2013	REVISED -

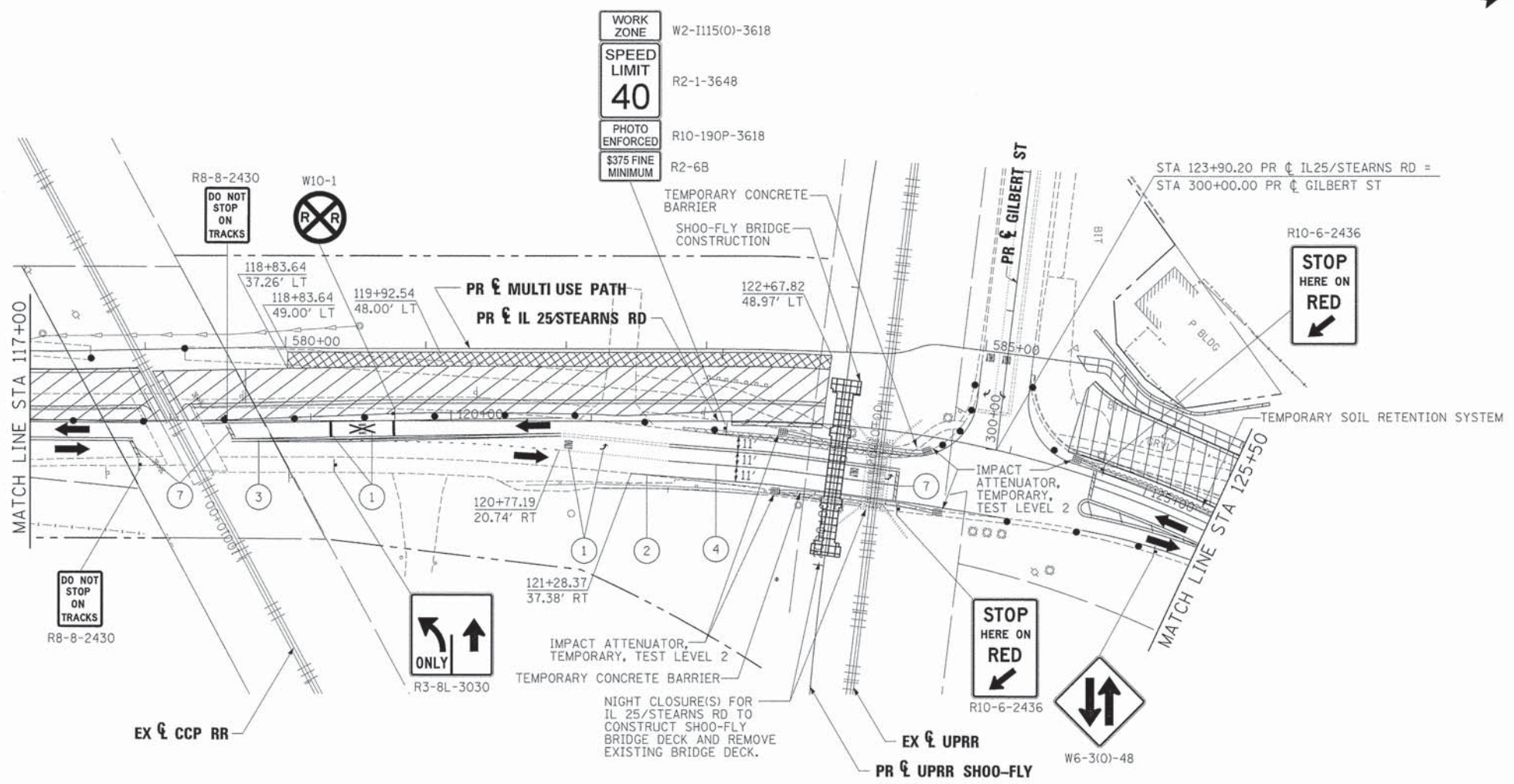


STATE OF ILLINOIS
DIVISION OF TRANSPORTATION

MAINTENANCE OF TRAFFIC
TYPICAL SECTION - STAGE 1A

SCALE: NTS SHEET NO. 17 OF 61 SHEETS STA. TO STA.

F.A.P. RTE.	SECTION	COUNTY	TOTAL SHEETS	SHEET NO.
361	06-00214-18-RP	KANE	451	79
CONTRACT NO. 63598				
ILLINOIS FED. AID PROJECT				



LEGEND

- | | | | |
|--|--|---|---|
| | WORK AREA | ① | TEMPORARY PAVEMENT MARKING - LETTERS AND SYMBOLS (WHITE) |
| | BRIDGE WORK AREA | ② | TEMPORARY PAVEMENT MARKING - 4 INCH (WHITE) |
| | TEMPORARY PAVEMENT PLACED PREVIOUS STAGE | ③ | TEMPORARY PAVEMENT MARKING - 4 INCH (YELLOW) w/ TEMPORARY RAISED REFLECTIVE PAVEMENT MARKER |
| | TEMPORARY PAVEMENT PLACED THIS STAGE | ④ | TEMPORARY PAVEMENT MARKING - 6 INCH (WHITE) w/ TEMPORARY RAISED REFLECTIVE PAVEMENT MARKER |
| | FLASHING ARROW BOARD | ⑤ | TEMPORARY PAVEMENT MARKING - 12 INCH (WHITE) |
| | TRAFFIC LANE | ⑥ | TEMPORARY PAVEMENT MARKING - 12 INCH (YELLOW) |
| | TYPE III BARRICADES | ⑦ | TEMPORARY PAVEMENT MARKING - 24 INCH (WHITE) |
| | TEMPORARY SIGN | ⑧ | TEMPORARY PAVEMENT MARKING - 4 INCH (YELLOW) |
| | IMPACT ATTENUATOR | | |
| | DRUMS w/ STEADY BURN BI-DIRECTIONAL LIGHTS
⊙ 50' CENTERS (TYP.)
⊙ 25' CENTERS ON CURVES
⊙ 20' CENTERS ON TAPERS | | |
| | DRUMS w/ STEADY BURN MONO-DIRECTIONAL LIGHTS
⊙ 20' CENTERS ON TAPERS | | |

FILE NAME =	DESIGNED - AAA	REVISED -
...\\D163598-shr-IL25-stn-mot-stg1a-02.dgn	DRAWN - TMB	REVISED -
USER NAME = db1ank	CHECKED - JMM	REVISED -
PLOT DATE = 2/26/2013	DATE - 01/18/2013	REVISED -

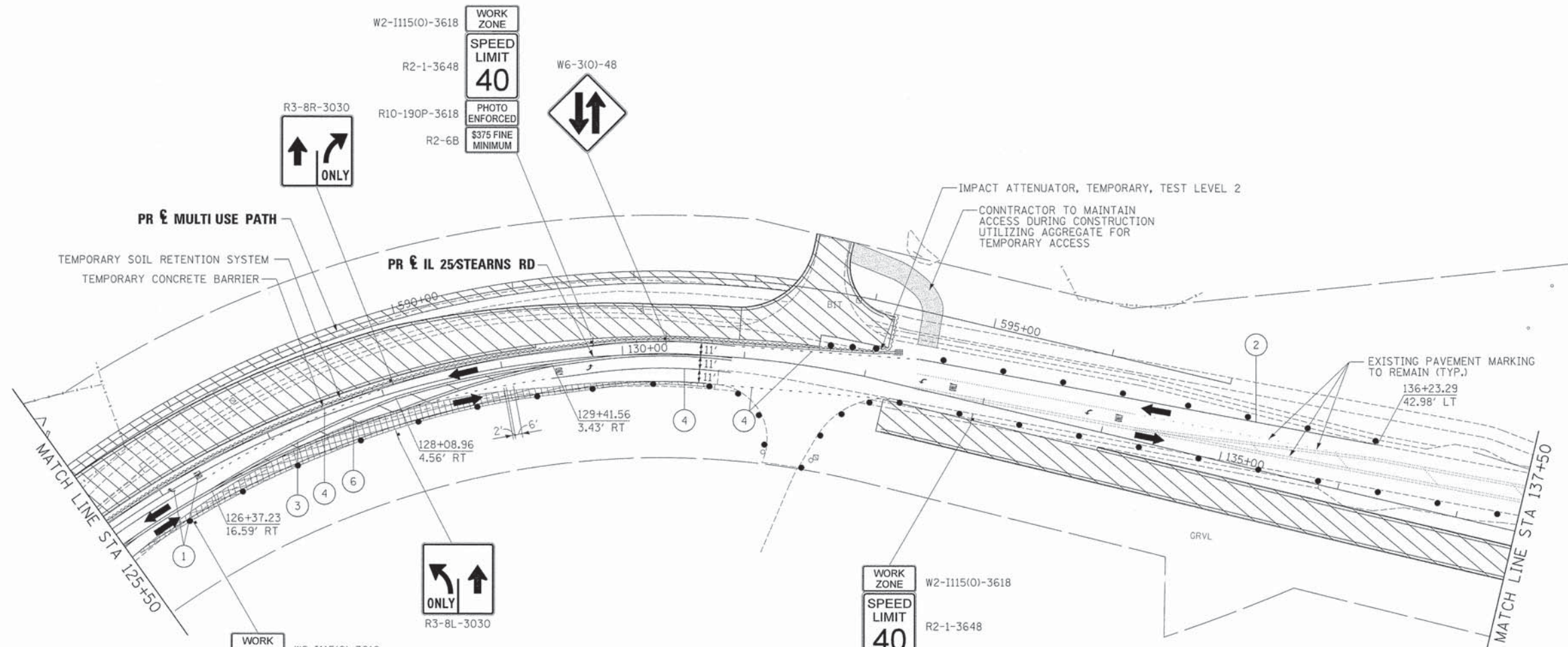


**STATE OF ILLINOIS
DIVISION OF TRANSPORTATION**

**MAINTENANCE OF TRAFFIC
IL 25/STEARNS RD STAGE 1A**

SCALE: 1"=50' SHEET NO. 18 OF 61 SHEETS STA. TO STA.

F.A.P. RTE.	SECTION	COUNTY	TOTAL SHEETS	SHEET NO.
361	06-00214-18-RP	KANE	451	80
CONTRACT NO. 63598				
ILLINOIS FED. AID PROJECT				



W2-1115(O)-3618
 R2-1-3648
 R10-190P-3618
 R2-6B

WORK ZONE
 SPEED LIMIT 40
 PHOTO ENFORCED
 \$375 FINE MINIMUM

R3-8R-3030

ONLY



PR & MULTI USE PATH

TEMPORARY SOIL RETENTION SYSTEM
 TEMPORARY CONCRETE BARRIER

PR & IL 25 STEARNS RD

IMPACT ATTENUATOR, TEMPORARY, TEST LEVEL 2

CONTRACTOR TO MAINTAIN ACCESS DURING CONSTRUCTION UTILIZING AGGREGATE FOR TEMPORARY ACCESS

EXISTING PAVEMENT MARKING TO REMAIN (TYP.)
 136+23.29
 42.98' LT

MATCH LINE STA 125+50

MATCH LINE STA 137+50

WORK ZONE W2-1115(O)-3618
 SPEED LIMIT 40
 PHOTO ENFORCED R10-190P-3618
 \$375 FINE MINIMUM R2-6B

R3-8L-3030

ONLY

WORK ZONE W2-1115(O)-3618
 SPEED LIMIT 40
 PHOTO ENFORCED R10-190P-3618
 \$375 FINE MINIMUM R2-6B

LEGEND

- WORK AREA
 - BRIDGE WORK AREA
 - TEMPORARY PAVEMENT PLACED PREVIOUS STAGE
 - TEMPORARY PAVEMENT PLACED THIS STAGE
 - FLASHING ARROW BOARD
 - TRAFFIC LANE
 - TYPE III BARRICADES
 - TEMPORARY SIGN
 - IMPACT ATTENUATOR
 - DRUMS w/ STEADY BURN BI-DIRECTIONAL LIGHTS
 @ 50' CENTERS (TYP.)
 @ 25' CENTERS ON CURVES
 @ 20' CENTERS ON TAPERS
 - DRUMS w/ STEADY BURN MONO-DIRECTIONAL LIGHTS
 @ 20' CENTERS ON TAPERS
- ① TEMPORARY PAVEMENT MARKING - LETTERS AND SYMBOLS (WHITE)
 - ② TEMPORARY PAVEMENT MARKING - 4 INCH (WHITE)
 - ③ TEMPORARY PAVEMENT MARKING - 4 INCH (YELLOW) w/ TEMPORARY RAISED REFLECTIVE PAVEMENT MARKER
 - ④ TEMPORARY PAVEMENT MARKING - 6 INCH (WHITE) w/ TEMPORARY RAISED REFLECTIVE PAVEMENT MARKER
 - ⑤ TEMPORARY PAVEMENT MARKING - 12 INCH (WHITE)
 - ⑥ TEMPORARY PAVEMENT MARKING - 12 INCH (YELLOW)
 - ⑦ TEMPORARY PAVEMENT MARKING - 24 INCH (WHITE)
 - ⑧ TEMPORARY PAVEMENT MARKING - 4 INCH (YELLOW)

FILE NAME : ...\\D163598-aht-il25-stn-mot-stglo-83.dgn	DESIGNED - AAA	REVISED -
USER NAME = sbblank	DRAWN - TMB	REVISED -
PLOT DATE = 2/26/2013	CHECKED - JMM	REVISED -
	DATE - 01/18/2013	REVISED -

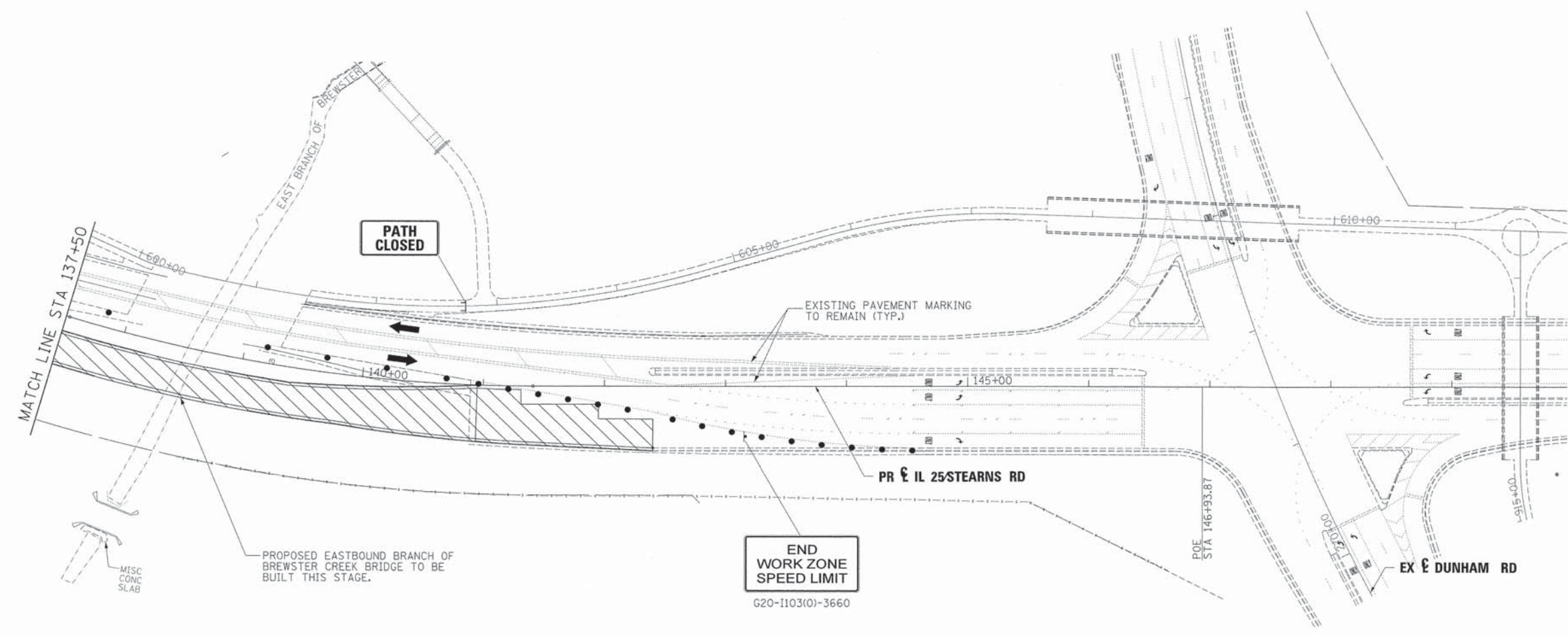


**STATE OF ILLINOIS
 DIVISION OF TRANSPORTATION**

**MAINTENANCE OF TRAFFIC
 IL 25 STEARNS RD STAGE 1A**

SCALE: 1"=50' SHEET NO. 19 OF 61 SHEETS STA. TO STA.

F.A.P. RTE.	SECTION	COUNTY	TOTAL SHEETS	SHEET NO.
361	06-00214-18-RP	KANE	451	81
CONTRACT NO. 63598				
ILLINOIS FED. AID PROJECT				



LEGEND	
	WORK AREA
	BRIDGE WORK AREA
	TEMPORARY PAVEMENT PLACED PREVIOUS STAGE
	TEMPORARY PAVEMENT PLACED THIS STAGE
	FLASHING ARROW BOARD
	TRAFFIC LANE
	TYPE III BARRICADES
	TEMPORARY SIGN
	IMPACT ATTENUATOR
	DRUMS w/ STEADY BURN BI-DIRECTIONAL LIGHTS ø 50' CENTERS (TYP.) ø 25' CENTERS ON CURVES ø 20' CENTERS ON TAPERS
	DRUMS w/ STEADY BURN MONO-DIRECTIONAL LIGHTS ø 20' CENTERS ON TAPERS
①	TEMPORARY PAVEMENT MARKING - LETTERS AND SYMBOLS (WHITE)
②	TEMPORARY PAVEMENT MARKING - 4 INCH (WHITE)
③	TEMPORARY PAVEMENT MARKING - 4 INCH (YELLOW) w/ TEMPORARY RAISED REFLECTIVE PAVEMENT MARKER
④	TEMPORARY PAVEMENT MARKING - 6 INCH (WHITE) w/ TEMPORARY RAISED REFLECTIVE PAVEMENT MARKER
⑤	TEMPORARY PAVEMENT MARKING - 12 INCH (WHITE)
⑥	TEMPORARY PAVEMENT MARKING - 12 INCH (YELLOW)
⑦	TEMPORARY PAVEMENT MARKING - 24 INCH (WHITE)
⑧	TEMPORARY PAVEMENT MARKING - 4 INCH (YELLOW)

FILE NAME = ...\\0163598-shr-IL25-stn-mot-stg1a-04.dgn	DESIGNED - AAA	REVISED -
USER NAME = tblank	DRAWN - TMB	REVISED -
PLOT DATE = 2/26/2013	CHECKED - JMM	REVISED -
	DATE - 01/18/2013	REVISED -

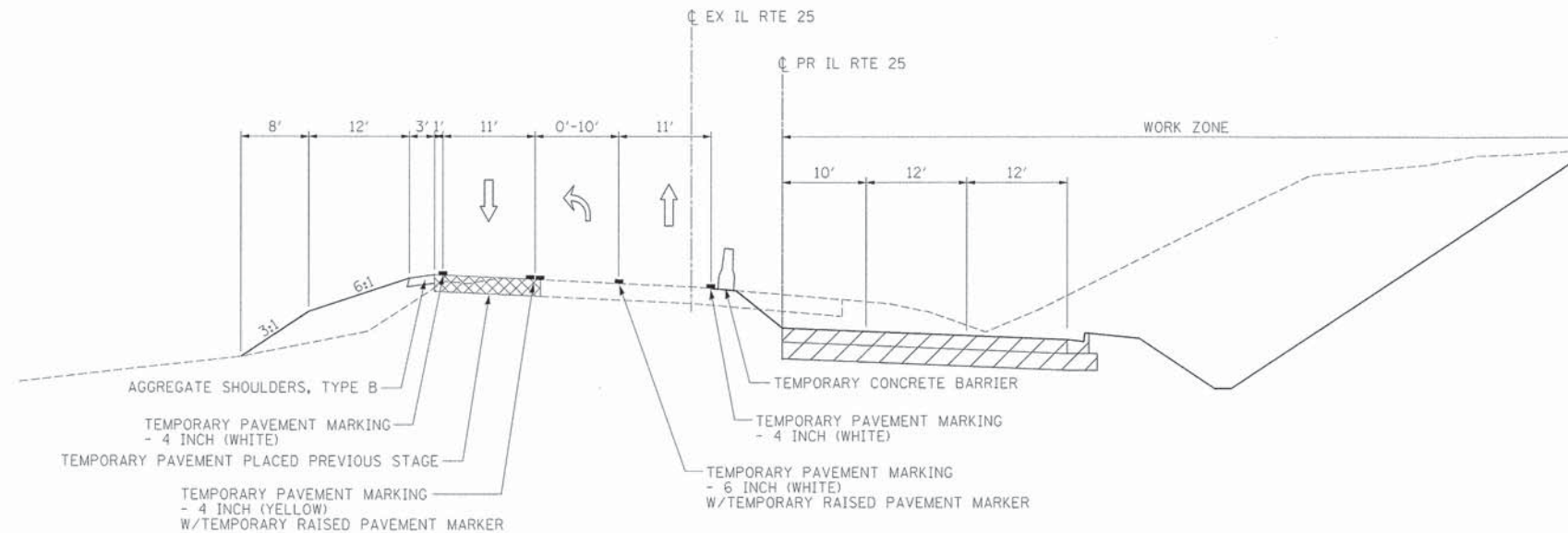


**STATE OF ILLINOIS
DIVISION OF TRANSPORTATION**

**MAINTENANCE OF TRAFFIC
IL 25 STEARNS RD STAGE 1A**

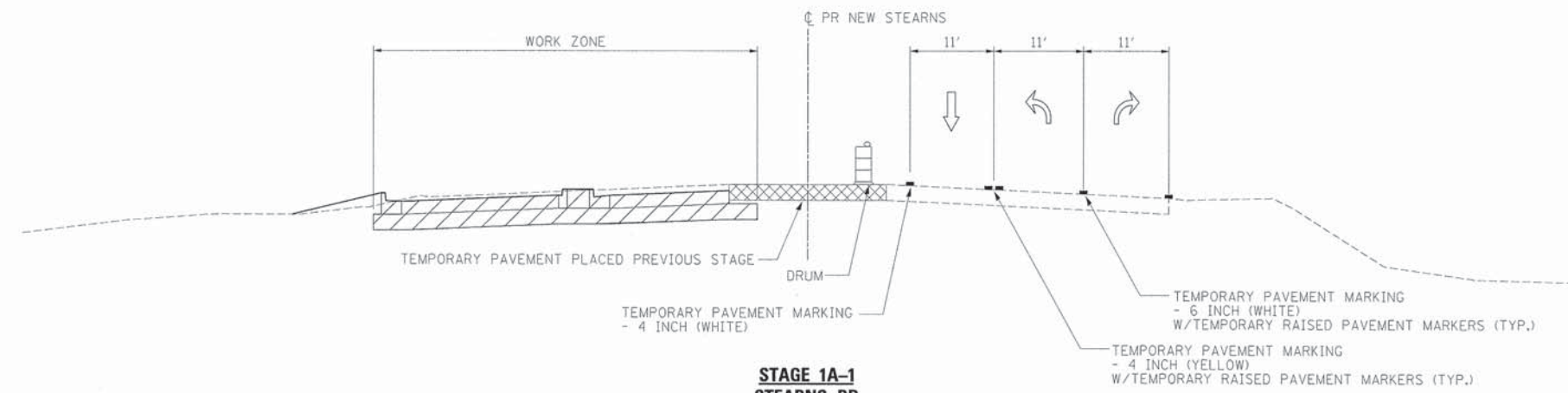
SCALE: 1"=50' SHEET NO. 20 OF 61 SHEETS STA. TO STA.

F.A.P. R.T.L.	SECTION	COUNTY	TOTAL SHEETS	SHEET NO.
361	06-00214-18-RP	KANE	451	82
CONTRACT NO. 63598				
ILLINOIS FED. AID PROJECT				



**STAGE 1A-1
IL RTE 25**

STA. 106+91 TO STA. 109+00



**STAGE 1A-1
STEARNS RD**

STA. 606+39 TO STA. 609+00

FILE NAME =	DESIGNED - AAA	REVISED -
...\\D163598-sht-not-typ-125-southend-01.dgn	DRAWN - TMB	REVISED -
USER NAME = tblank	CHECKED - JMM	REVISED -
PLOT DATE = 2/26/2013	DATE - 01/18/2013	REVISED -

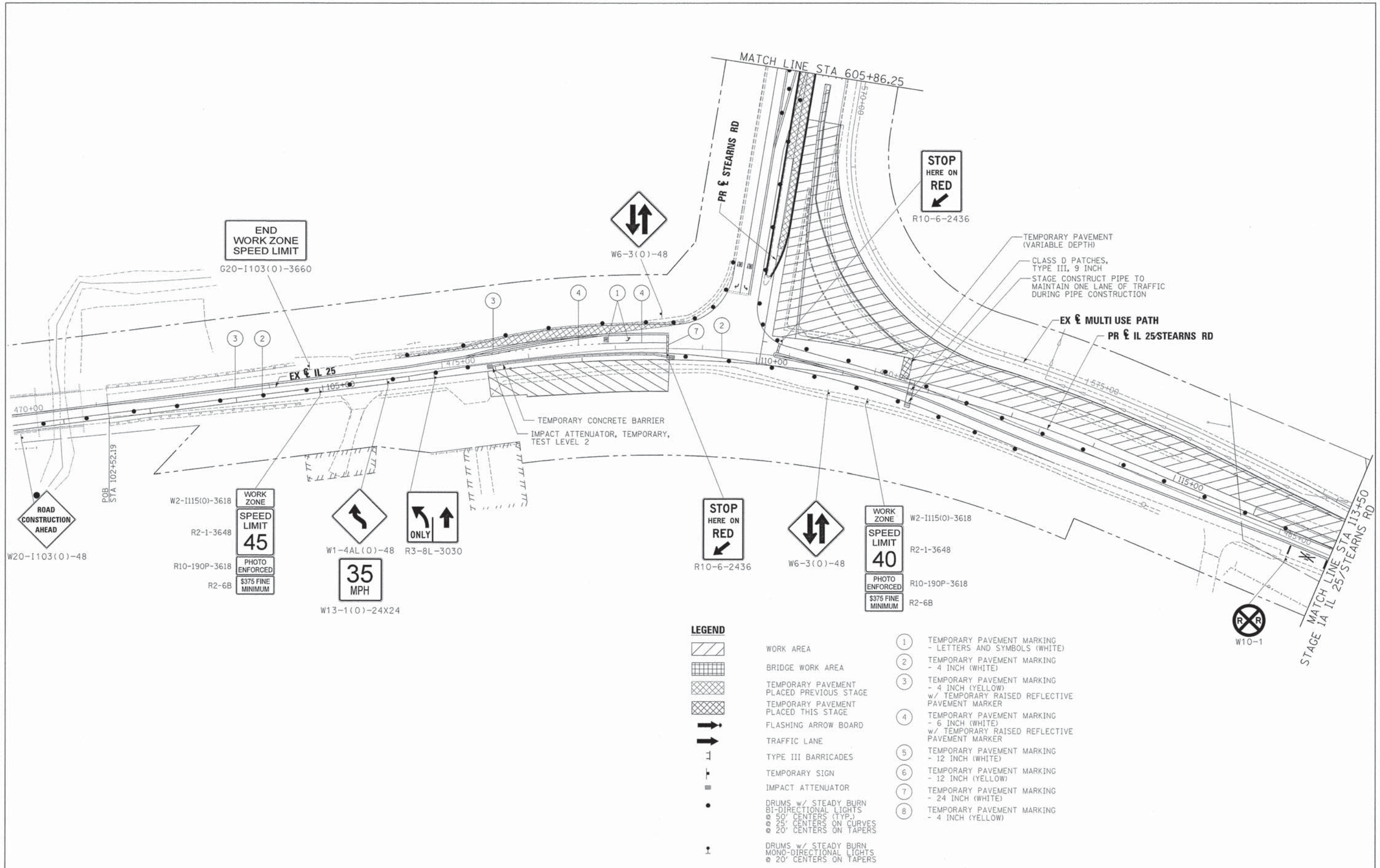


STATE OF ILLINOIS
DIVISION OF TRANSPORTATION

MAINTENANCE OF TRAFFIC
TYPICAL SECTION - STAGE 1A-1

SCALE: NTS SHEET NO. 21 OF 61 SHEETS STA. TO STA.

F.A.P. RTE.	SECTION	COUNTY	TOTAL SHEETS	SHEET NO.
361	06-00214-18-RP	KANE	451	83
				CONTRACT NO. 63598
ILLINOIS FED. AID PROJECT				



LEGEND

- WORK AREA
 - BRIDGE WORK AREA
 - TEMPORARY PAVEMENT PLACED PREVIOUS STAGE
 - TEMPORARY PAVEMENT PLACED THIS STAGE
 - FLASHING ARROW BOARD
 - TRAFFIC LANE
 - TYPE III BARRICADES
 - TEMPORARY SIGN
 - IMPACT ATTENUATOR
 - DRUMS w/ STEADY BURN BI-DIRECTIONAL LIGHTS
 @ 50' CENTERS (TYP.)
 @ 25' CENTERS ON CURVES
 @ 20' CENTERS ON TAPERS
 - DRUMS w/ STEADY BURN MONO-DIRECTIONAL LIGHTS
 @ 20' CENTERS ON TAPERS
- 1 TEMPORARY PAVEMENT MARKING - LETTERS AND SYMBOLS (WHITE)
 - 2 TEMPORARY PAVEMENT MARKING - 4 INCH (WHITE)
 - 3 TEMPORARY PAVEMENT MARKING - 4 INCH (YELLOW) w/ TEMPORARY RAISED REFLECTIVE PAVEMENT MARKER
 - 4 TEMPORARY PAVEMENT MARKING - 6 INCH (WHITE) w/ TEMPORARY RAISED REFLECTIVE PAVEMENT MARKER
 - 5 TEMPORARY PAVEMENT MARKING - 12 INCH (WHITE)
 - 6 TEMPORARY PAVEMENT MARKING - 12 INCH (YELLOW)
 - 7 TEMPORARY PAVEMENT MARKING - 24 INCH (WHITE)
 - 8 TEMPORARY PAVEMENT MARKING - 4 INCH (YELLOW)

FILE NAME =	DESIGNED - AAA	REVISED -
...ND163598-sht-southend-il.25-stn-mot-stgla-	DRAWN - TMB	REVISED -
USER NAME = tblank	CHECKED - JMM	REVISED -
PLOT DATE = 2/26/2013	DATE - 01/18/2013	REVISED -

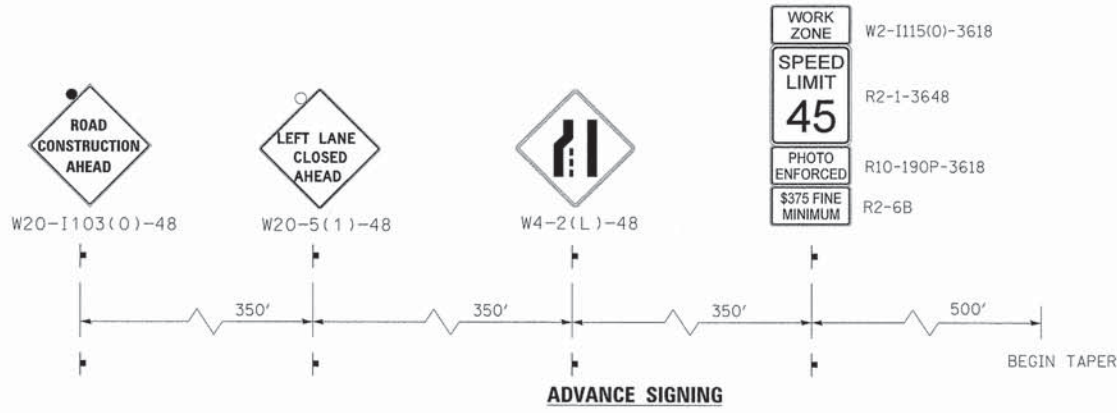
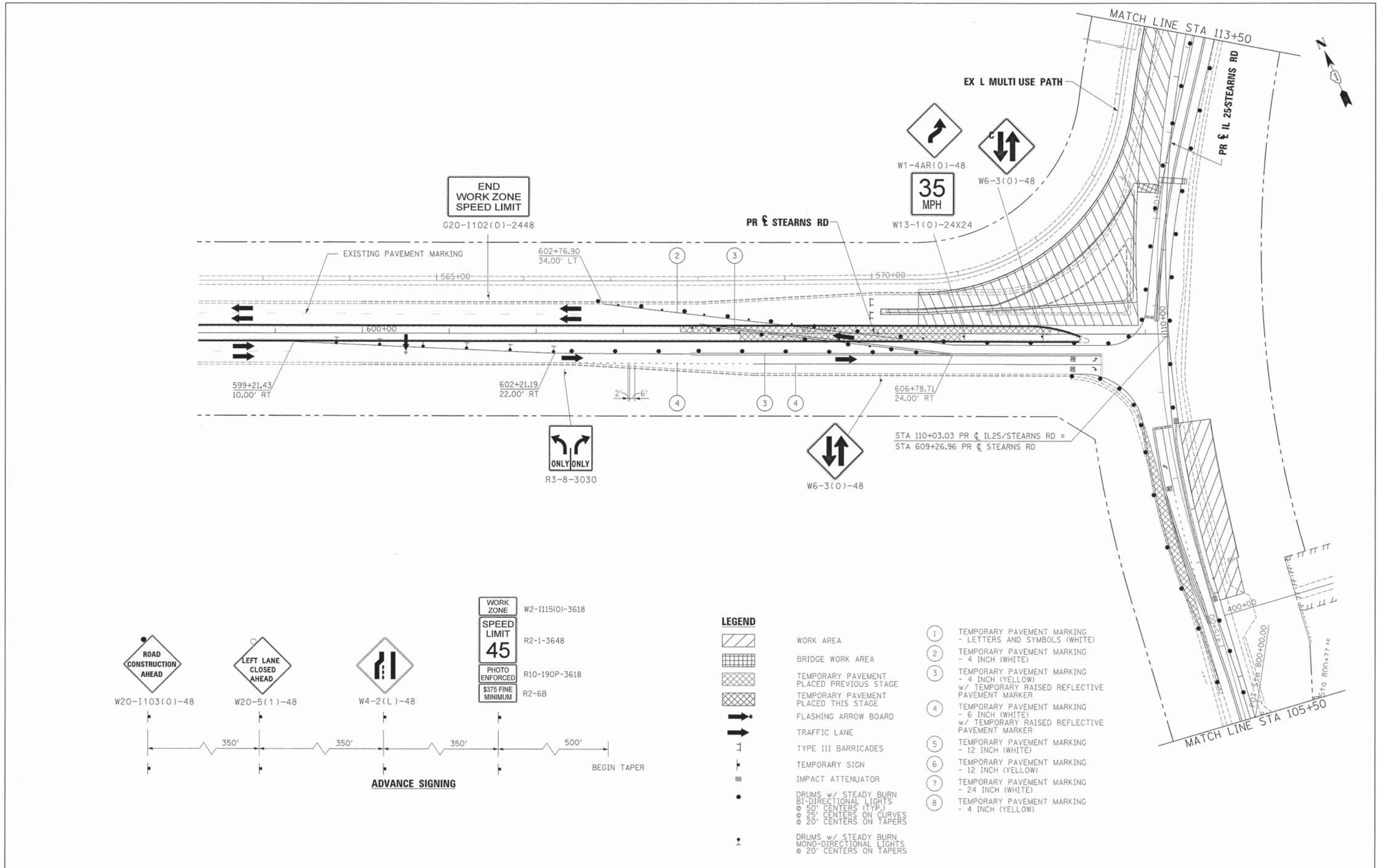


**STATE OF ILLINOIS
DIVISION OF TRANSPORTATION**

**MAINTENANCE OF TRAFFIC
IL 25/STEARNS RD INTERSECTION STAGE 1A-1**

SCALE: 1"=50' SHEET NO. 22 OF 61 SHEETS STA. TO STA.

F.A.P. RTE.	SECTION	COUNTY	TOTAL SHEETS	SHEET NO.
361	06-00214-18-RP	KANE	451	84
CONTRACT NO. 63598				
ILLINOIS FED. AID PROJECT				



LEGEND

- WORK AREA
- BRIDGE WORK AREA
- TEMPORARY PAVEMENT PLACED PREVIOUS STAGE
- TEMPORARY PAVEMENT PLACED THIS STAGE
- FLASHING ARROW BOARD
- TRAFFIC LANE
- TYPE III BARRICADES
- TEMPORARY SIGN
- IMPACT ATTENUATOR
- DRUMS w/ STEADY BURN BI-DIRECTIONAL LIGHTS @ 50' CENTERS (TYP.) @ 25' CENTERS ON CURVES @ 20' CENTERS ON TAPERS
- DRUMS w/ STEADY BURN MONO-DIRECTIONAL LIGHTS @ 20' CENTERS ON TAPERS

- ① TEMPORARY PAVEMENT MARKING - LETTERS AND SYMBOLS (WHITE)
- ② TEMPORARY PAVEMENT MARKING - 4 INCH (WHITE)
- ③ TEMPORARY PAVEMENT MARKING - 4 INCH (YELLOW) w/ TEMPORARY RAISED REFLECTIVE PAVEMENT MARKER
- ④ TEMPORARY PAVEMENT MARKING - 6 INCH (WHITE) w/ TEMPORARY RAISED REFLECTIVE PAVEMENT MARKER
- ⑤ TEMPORARY PAVEMENT MARKING - 12 INCH (WHITE)
- ⑥ TEMPORARY PAVEMENT MARKING - 12 INCH (YELLOW)
- ⑦ TEMPORARY PAVEMENT MARKING - 24 INCH (WHITE)
- ⑧ TEMPORARY PAVEMENT MARKING - 4 INCH (YELLOW)

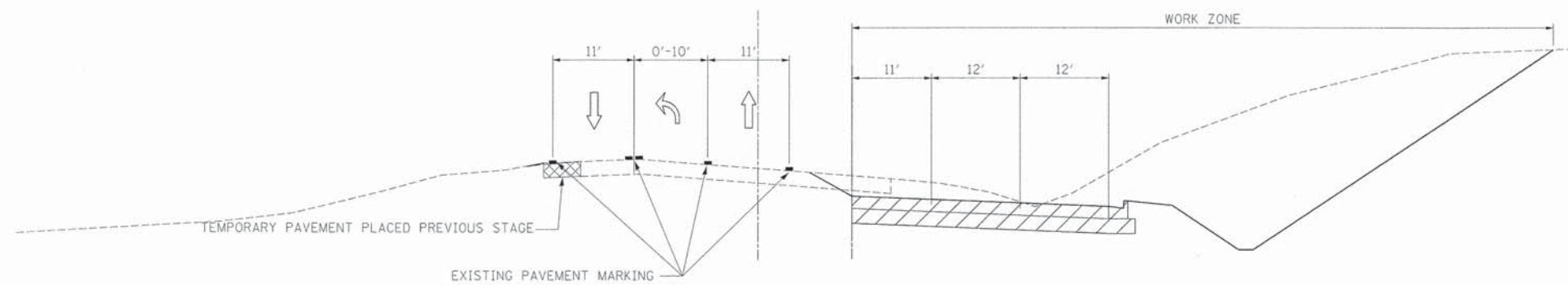
FILE NAME +	DESIGNED - AAA	REVISED -
...ND163598-sht-southand-IL25-stn-mot-stg1a-	DRAWN - TMB	REVISED -
USER NAME + tblank	CHECKED - JMM	REVISED -
PLDT DATE + 2/26/2013	DATE - 01/18/2013	REVISED -



STATE OF ILLINOIS
DIVISION OF TRANSPORTATION

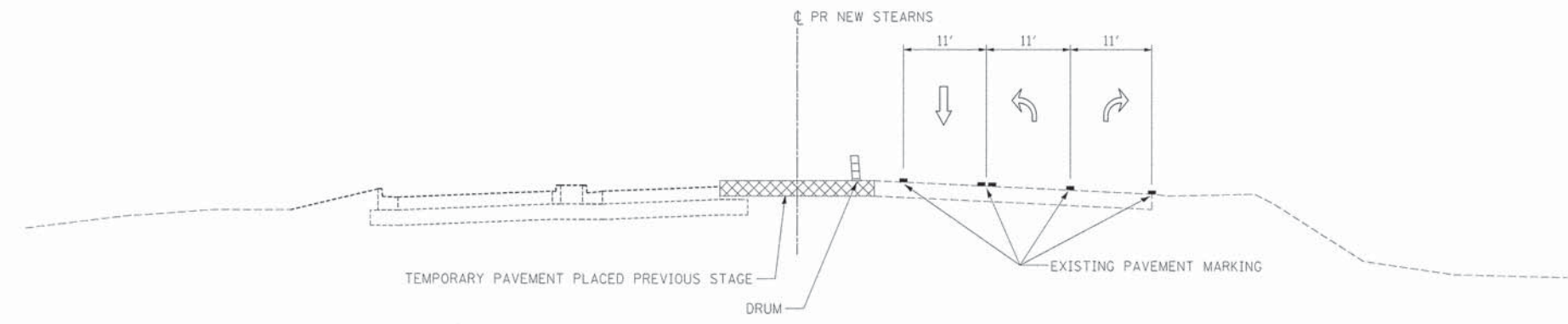
MAINTENANCE OF TRAFFIC
IL 25/STEARNS RD INTERSECTION STAGE 1A-1
SCALE: 1"=50' SHEET NO. 23 OF 61 SHEETS STA. TO STA.

F.A.P. RTE.	SECTION	COUNTY	TOTAL SHEETS	SHEET NO.
361	06-00214-18-RP	KANE	451	85
CONTRACT NO. 63598			ILLINOIS FED. AID PROJECT	



**STAGE 1A-2
IL RTE 25**

STA. 109+00 TO STA. 113+00



**STAGE 1A-2
STEARNS RD**

STA. 606+39 TO STA. 608+92

FILE NAME =	DESIGNED - AAA	REVISED -
...\\0163598-sht-aot-typr125-southend-02.dgn	DRAWN - TMB	REVISED -
USER NAME = tblank	CHECKED - JMM	REVISED -
PLOT DATE = 2/26/2013	DATE - 01/18/2013	REVISED -

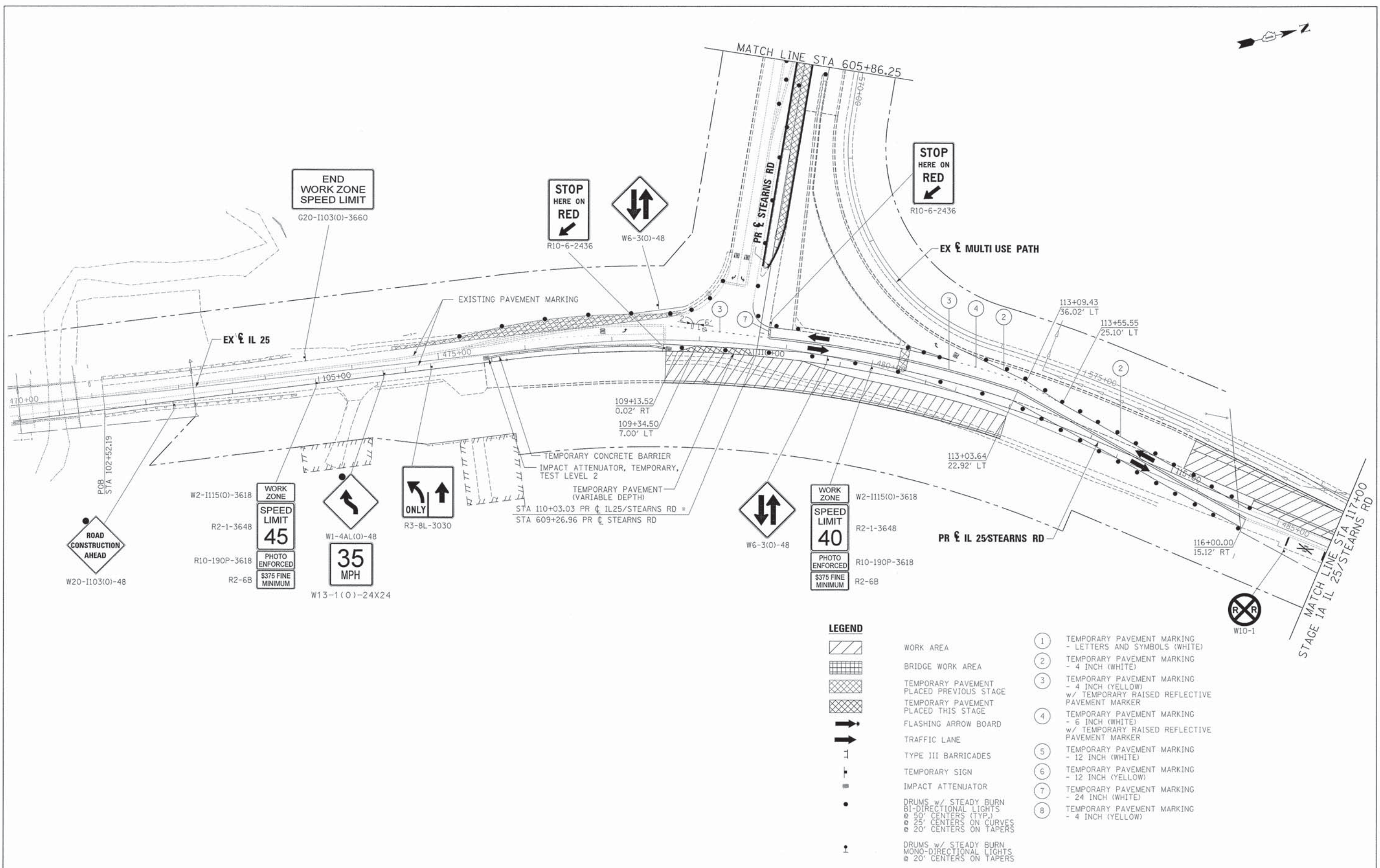


**STATE OF ILLINOIS
DIVISION OF TRANSPORTATION**

**MAINTENANCE OF TRAFFIC
TYPICAL SECTION - STAGE 1A-2**

SCALE: NTS SHEET NO. 24 OF 61 SHEETS STA. TO STA.

F.A.P. RTE.	SECTION	COUNTY	TOTAL SHEETS	SHEET NO.
361	06-00214-18-RP	KANE	451	86
CONTRACT NO. 63598			ILLINOIS FED. AID PROJECT	



- LEGEND**
- WORK AREA
 - BRIDGE WORK AREA
 - TEMPORARY PAVEMENT PLACED PREVIOUS STAGE
 - TEMPORARY PAVEMENT PLACED THIS STAGE
 - FLASHING ARROW BOARD
 - TRAFFIC LANE
 - TYPE III BARRICADES
 - TEMPORARY SIGN
 - IMPACT ATTENUATOR
 - DRUMS w/ STEADY BURN BI-DIRECTIONAL LIGHTS
 - ⊙ 50' CENTERS (TYP.)
 - ⊙ 25' CENTERS ON CURVES
 - ⊙ 20' CENTERS ON TAPERS
 - DRUMS w/ STEADY BURN MONO-DIRECTIONAL LIGHTS
 - ⊙ 20' CENTERS ON TAPERS
- ① TEMPORARY PAVEMENT MARKING - LETTERS AND SYMBOLS (WHITE)
 - ② TEMPORARY PAVEMENT MARKING - 4 INCH (WHITE)
 - ③ TEMPORARY PAVEMENT MARKING - 4 INCH (YELLOW) w/ TEMPORARY RAISED REFLECTIVE PAVEMENT MARKER
 - ④ TEMPORARY PAVEMENT MARKING - 6 INCH (WHITE) w/ TEMPORARY RAISED REFLECTIVE PAVEMENT MARKER
 - ⑤ TEMPORARY PAVEMENT MARKING - 12 INCH (WHITE)
 - ⑥ TEMPORARY PAVEMENT MARKING - 12 INCH (YELLOW)
 - ⑦ TEMPORARY PAVEMENT MARKING - 24 INCH (WHITE)
 - ⑧ TEMPORARY PAVEMENT MARKING - 4 INCH (YELLOW)

FILE NAME =	DESIGNED - AAA	REVISED -
...\\D163598-sht-southend-IL25-stn-mot-stage-2	DRAWN - TMB	REVISED -
USER NAME = tblank	CHECKED - JMM	REVISED -
PLOT DATE = 2/26/2013	DATE - 01/18/2013	REVISED -

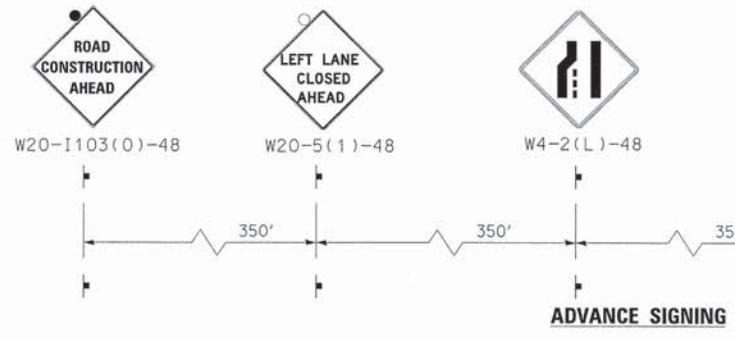
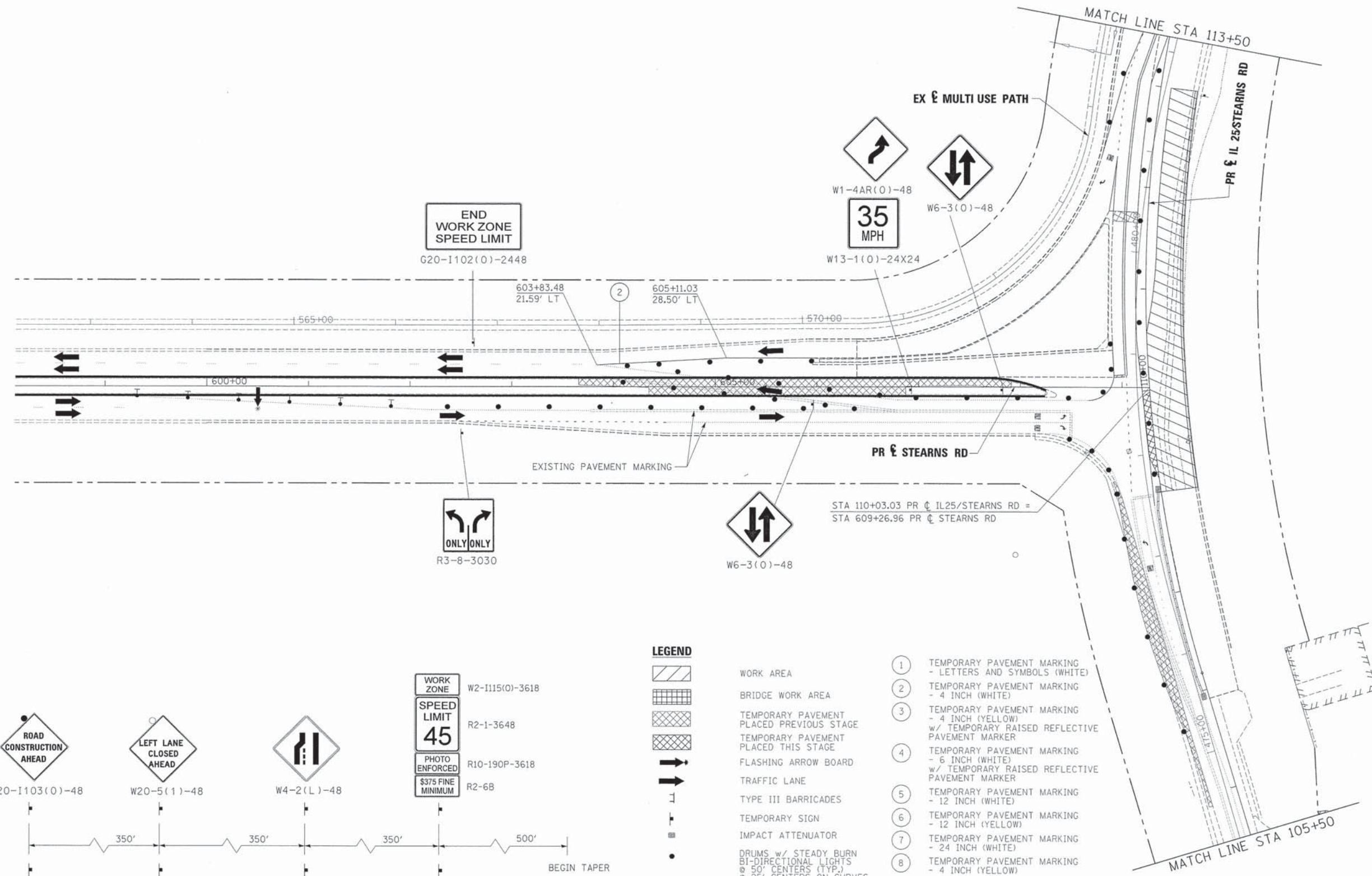


**STATE OF ILLINOIS
DIVISION OF TRANSPORTATION**

**MAINTENANCE OF TRAFFIC
IL 25/STEARNS RD INTERSECTION STAGE 1A-2**

SCALE: 1"=50' SHEET NO. 25 OF 61 SHEETS STA. TO STA.

F.A.P. RTE.	SECTION	COUNTY	TOTAL SHEETS	SHEET NO.
361	06-00214-18-RP	KANE	451	87
CONTRACT NO. 63598				
[ILLINOIS] FED. AID PROJECT				



- WORK ZONE W2-1115(0)-3618
- SPEED LIMIT 45 R2-1-3648
- PHOTO ENFORCED \$375 FINE MINIMUM R10-190P-3618
- R2-6B

LEGEND

- WORK AREA
- BRIDGE WORK AREA
- TEMPORARY PAVEMENT PLACED PREVIOUS STAGE
- TEMPORARY PAVEMENT PLACED THIS STAGE
- FLASHING ARROW BOARD
- TRAFFIC LANE
- TYPE III BARRICADES
- TEMPORARY SIGN
- IMPACT ATTENUATOR
- DRUMS w/ STEADY BURN BI-DIRECTIONAL LIGHTS @ 50' CENTERS (TYP.) @ 25' CENTERS ON CURVES @ 20' CENTERS ON TAPERS
- DRUMS w/ STEADY BURN MONO-DIRECTIONAL LIGHTS @ 20' CENTERS ON TAPERS

- 1 TEMPORARY PAVEMENT MARKING - LETTERS AND SYMBOLS (WHITE)
- 2 TEMPORARY PAVEMENT MARKING - 4 INCH (WHITE)
- 3 TEMPORARY PAVEMENT MARKING - 4 INCH (YELLOW) w/ TEMPORARY RAISED REFLECTIVE PAVEMENT MARKER
- 4 TEMPORARY PAVEMENT MARKING - 6 INCH (WHITE) w/ TEMPORARY RAISED REFLECTIVE PAVEMENT MARKER
- 5 TEMPORARY PAVEMENT MARKING - 12 INCH (WHITE)
- 6 TEMPORARY PAVEMENT MARKING - 12 INCH (YELLOW)
- 7 TEMPORARY PAVEMENT MARKING - 24 INCH (WHITE)
- 8 TEMPORARY PAVEMENT MARKING - 4 INCH (YELLOW)

FILE NAME +	DESIGNED - AAA	REVISED -
...\\D163598-sht-southend-IL25-str-mot-stg1a-	DRAWN - TMB	REVISED -
USER NAME + tblank	CHECKED - JMM	REVISED -
PLOT DATE + 2/26/2013	DATE - 01/18/2013	REVISED -

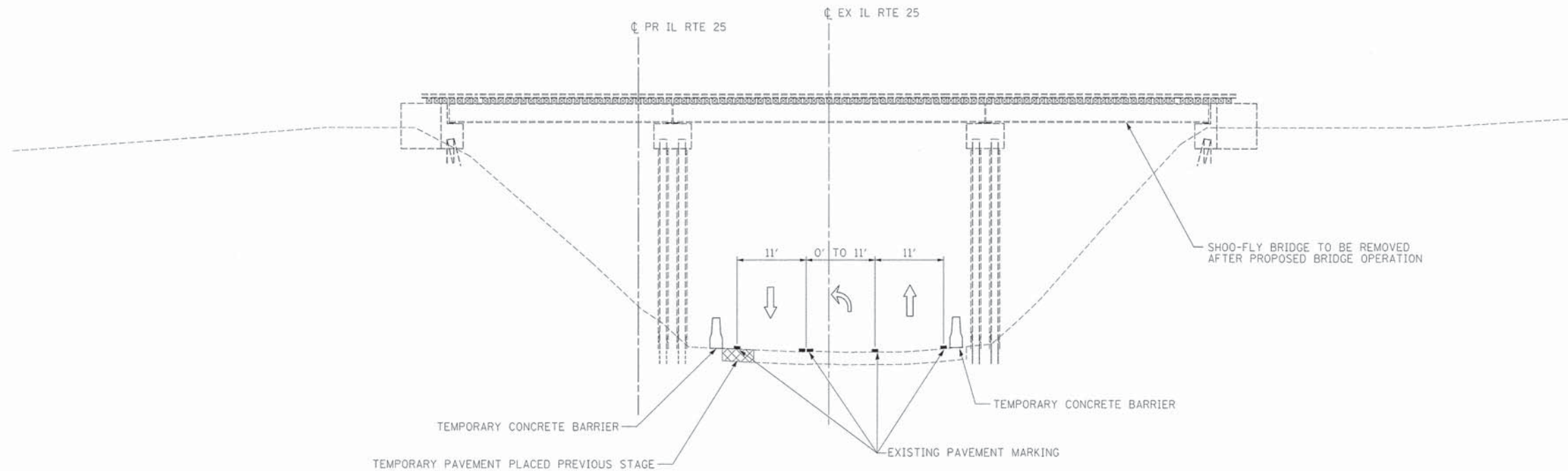


**STATE OF ILLINOIS
DIVISION OF TRANSPORTATION**

**MAINTENANCE OF TRAFFIC
IL 25/STEARNS RD INTERSECTION STAGE 1A-2**

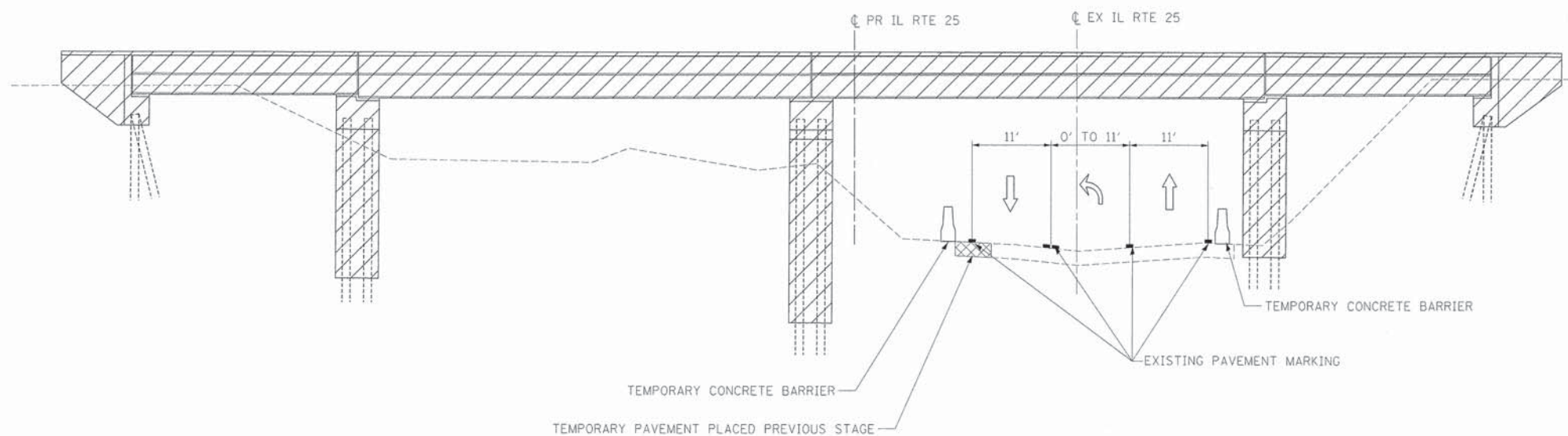
SCALE: 1"=50' SHEET NO. 26 OF 61 SHEETS STA. TO STA.

F.A.P. RTE.	SECTION	COUNTY	TOTAL SHEETS	SHEET NO.
361	06-00214-18-RP	KANE	451	88
CONTRACT NO. 63598				
ILLINOIS FED. AID PROJECT				



STAGE 1B
IL RTE 25

STA. 122+77 (SHOO-FLY UP BRIDGE)



STAGE 1B
IL RTE 25

STA. 123+00 (PROPOSED UP BRIDGE)

FILE NAME =	DESIGNED - AAA	REVISED -
...\\D163598-sht-mot-typr-125-06.dgn	DRAWN - TMB	REVISED -
USER NAME = sb1ank	CHECKED - JMM	REVISED -
PLOT DATE = 2/26/2013	DATE - 01/18/2013	REVISED -

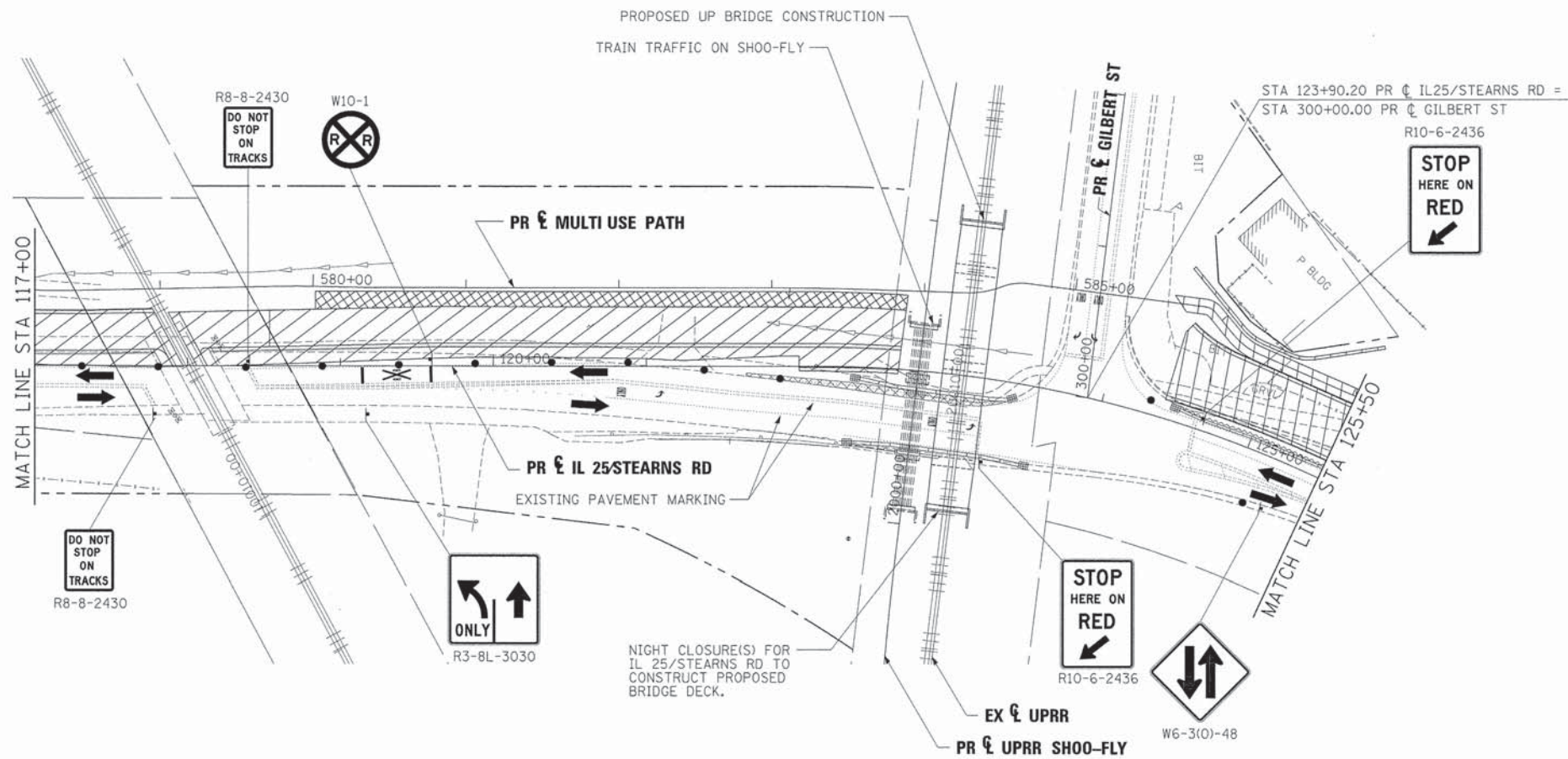
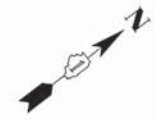


STATE OF ILLINOIS
DIVISION OF TRANSPORTATION

MAINTENANCE OF TRAFFIC
TYPICAL SECTION - STAGE 1B

SCALE: NTS SHEET NO. 27 OF 61 SHEETS STA. TO STA.

F.A.P. RTE.	SECTION	COUNTY	TOTAL SHEETS	SHEET NO.
361	06-00214-18-RP	KANE	451	89
				CONTRACT NO. 63598
ILLINOIS FED. AID PROJECT				



NIGHT CLOSURE(S) FOR IL 25/STEARNS RD TO CONSTRUCT PROPOSED BRIDGE DECK.

LEGEND

- WORK AREA
 - BRIDGE WORK AREA
 - TEMPORARY PAVEMENT PLACED PREVIOUS STAGE
 - TEMPORARY PAVEMENT PLACED THIS STAGE
 - FLASHING ARROW BOARD
 - TRAFFIC LANE
 - TYPE III BARRICADES
 - TEMPORARY SIGN
 - IMPACT ATTENUATOR
 - DRUMS w/ STEADY BURN BI-DIRECTIONAL LIGHTS
 @ 50' CENTERS (TYP.)
 @ 25' CENTERS ON CURVES
 @ 20' CENTERS ON TAPERS
 - DRUMS w/ STEADY BURN MONO-DIRECTIONAL LIGHTS
 @ 20' CENTERS ON TAPERS
- ① TEMPORARY PAVEMENT MARKING - LETTERS AND SYMBOLS (WHITE)
 - ② TEMPORARY PAVEMENT MARKING - 4 INCH (WHITE)
 - ③ TEMPORARY PAVEMENT MARKING - 4 INCH (YELLOW) w/ TEMPORARY RAISED REFLECTIVE PAVEMENT MARKER
 - ④ TEMPORARY PAVEMENT MARKING - 6 INCH (WHITE) w/ TEMPORARY RAISED REFLECTIVE PAVEMENT MARKER
 - ⑤ TEMPORARY PAVEMENT MARKING - 12 INCH (WHITE)
 - ⑥ TEMPORARY PAVEMENT MARKING - 12 INCH (YELLOW)
 - ⑦ TEMPORARY PAVEMENT MARKING - 24 INCH (WHITE)
 - ⑧ TEMPORARY PAVEMENT MARKING - 4 INCH (YELLOW)

FILE NAME =	DESIGNED - AAA	REVISED -
...\\0163598-sht-il25-stn-mot-stg1b-02.dgn	DRAWN - TMB	REVISED -
USER NAME = tblank	CHECKED - JMM	REVISED -
PLOT DATE = 2/26/2013	DATE - 01/18/2013	REVISED -

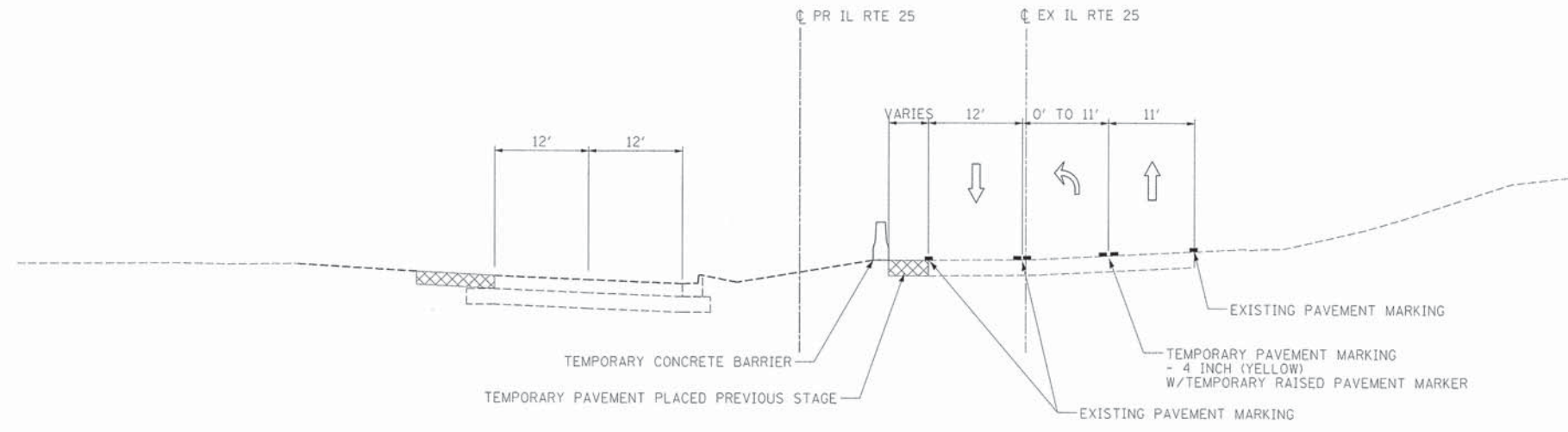


**STATE OF ILLINOIS
DIVISION OF TRANSPORTATION**

**MAINTENANCE OF TRAFFIC
IL 25/STEARNS RD STAGE 1B**

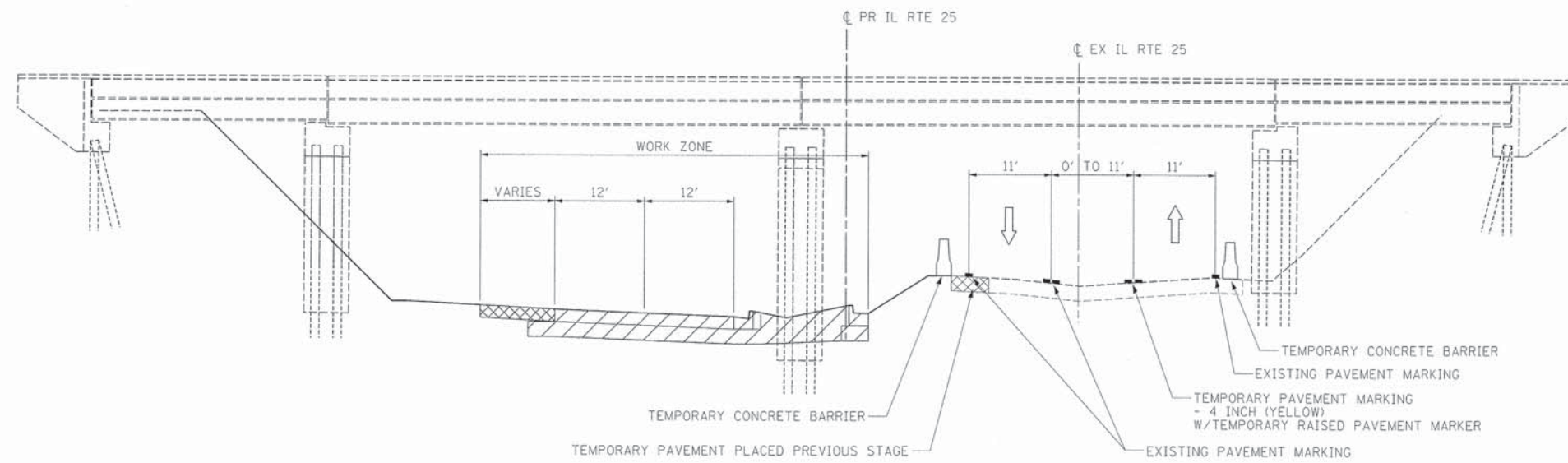
SCALE: 1"=50' SHEET NO. 28 OF 61 SHEETS STA. TO STA.

F.A.P. RTE.	SECTION	COUNTY	TOTAL SHEETS	SHEET NO.
361	06-00214-18-RP	KANE	451	90
CONTRACT NO. 63598				
ILLINOIS FED. AID PROJECT				



**STAGE 1C
IL RTE 25**

STA. 116+92 TO STA. 122+67



**STAGE 1C
IL RTE 25**

STA. 123+00 (PROPOSED UP BRIDGE)

FILE NAME =	DESIGNED - AAA	REVISED -
... \D163598-sht-not-tp-125-07.dgn	DRAWN - TMB	REVISED -
USER NAME = tblank	CHECKED - JMM	REVISED -
PLOT DATE = 2/26/2013	DATE - 01/18/2013	REVISED -

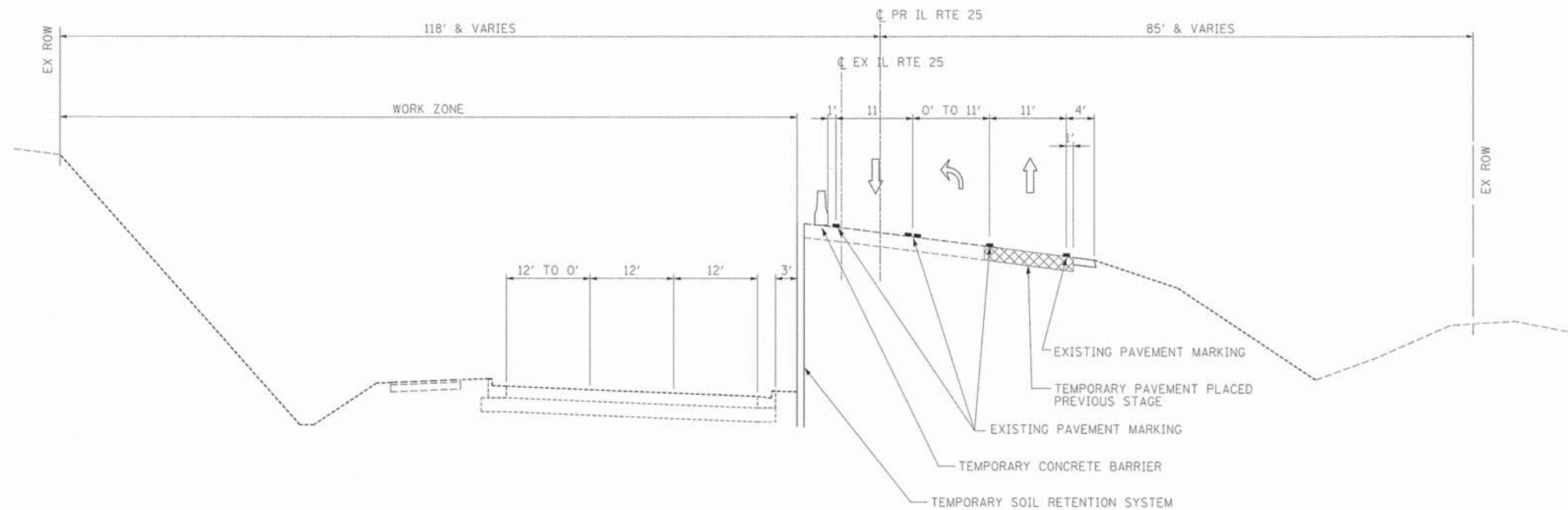


**STATE OF ILLINOIS
DIVISION OF TRANSPORTATION**

**MAINTENANCE OF TRAFFIC
TYPICAL SECTION - STAGE 1C**

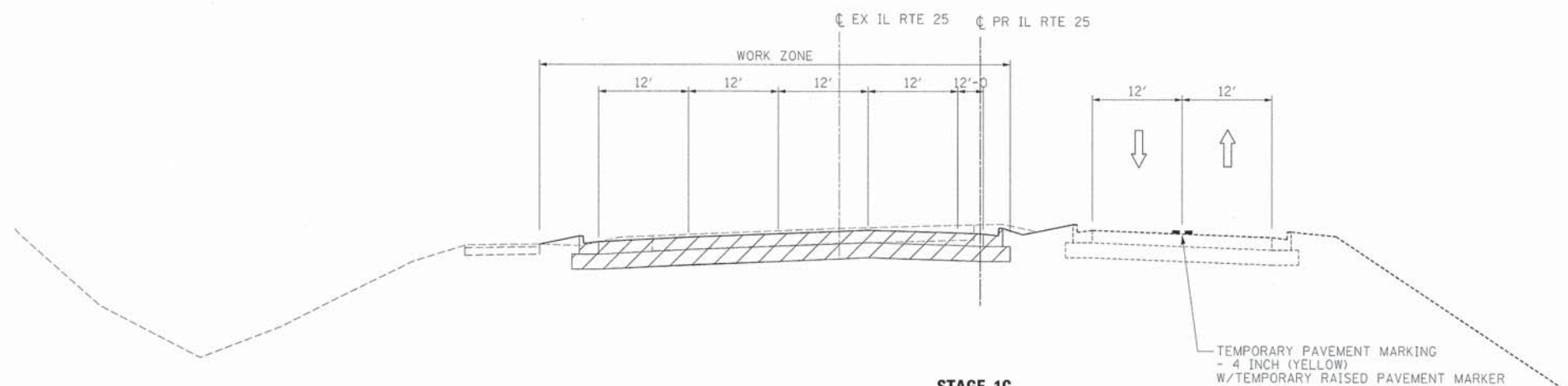
F.A.P. RTE.	SECTION	COUNTY	TOTAL SHEETS	SHEET NO.
361	06-00214-18-RP	KANE	451	91
CONTRACT NO. 63598				
ILLINOIS FED. AID PROJECT				

SCALE: NTS SHEET NO. 29 OF 61 SHEETS STA. TO STA.



**STAGE 1C
IL RTE 25**

STA. 125+63 TO STA. 130+34



**STAGE 1C
IL RTE 25**

STA. 132+19 TO STA. 142+40

FILE NAME =	DESIGNED - AAA	REVISED -
... \0163598-shr-mot-tyr-1125-08.dgn	DRAWN - TMB	REVISED -
USER NAME = tblank	CHECKED - JMM	REVISED -
PLDT DATE = 2/26/2013	DATE - 01/18/2013	REVISED -

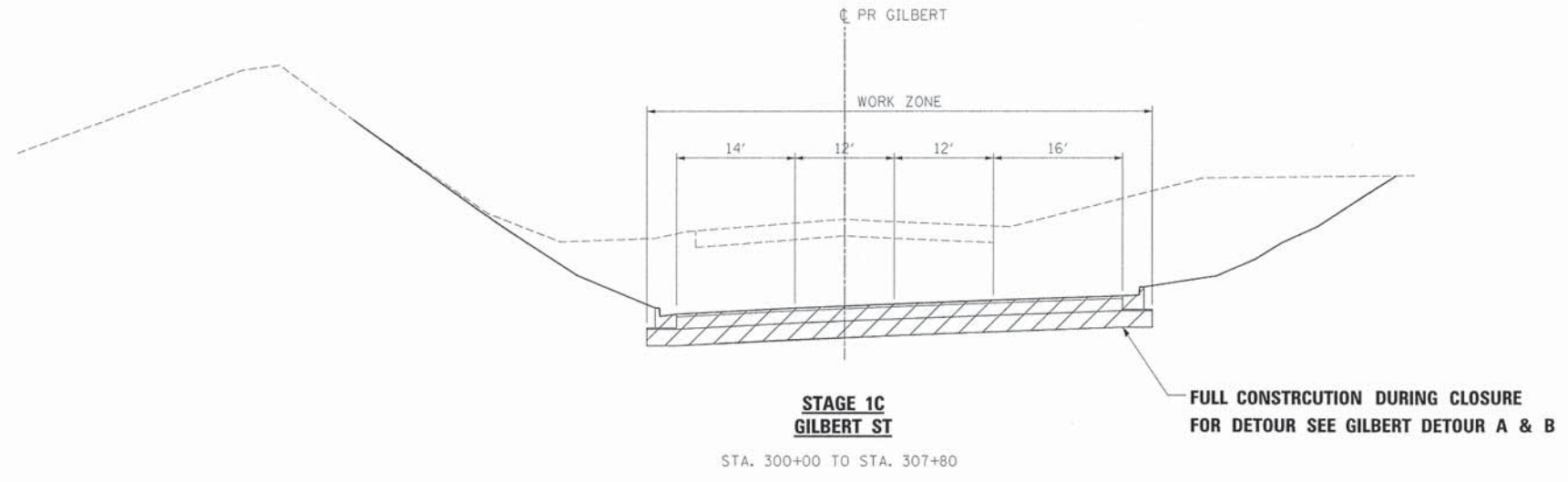


STATE OF ILLINOIS
DIVISION OF TRANSPORTATION

MAINTENANCE OF TRAFFIC
TYPICAL SECTION - STAGE 1C

SCALE: NTS SHEET NO. 30 OF 61 SHEETS STA. TO STA.

F.A.P. RTE.	SECTION	COUNTY	TOTAL SHEETS	SHEET NO.
361	06-00214-18-RP	KANE	451	92
				CONTRACT NO. 63598
ILLINOIS FED. AID PROJECT				



FILE NAME =	DESIGNED - AAA	REVISED -
...\\D163598-sht-mot-tp-gil-01.dgn	DRAWN - TMB	REVISED -
USER NAME = tblank	CHECKED - JMM	REVISED -
PLOT DATE = 2/26/2013	DATE - 01/18/2013	REVISED -

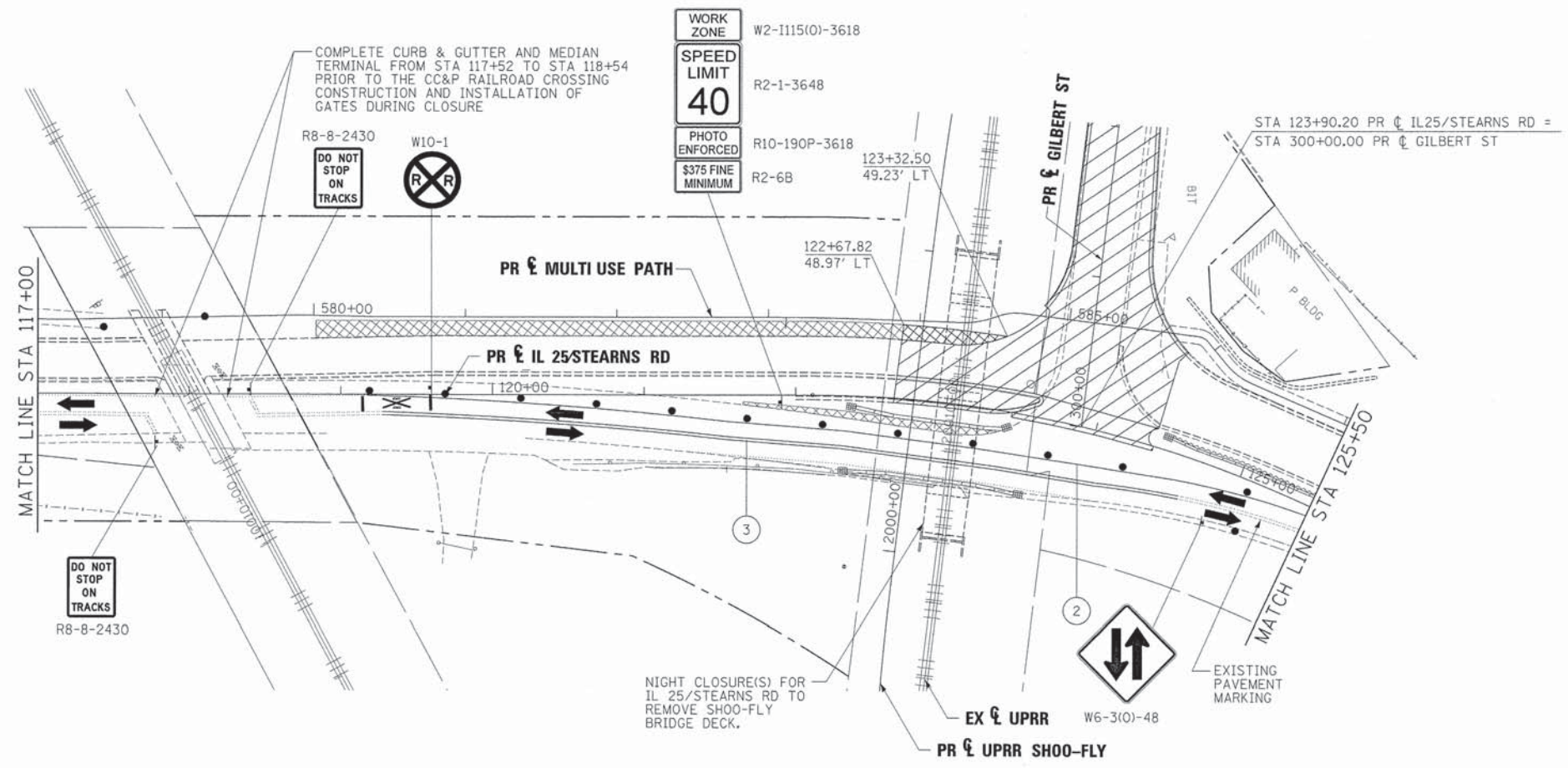
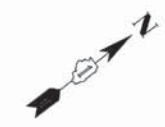


**STATE OF ILLINOIS
DIVISION OF TRANSPORTATION**

**MAINTENANCE OF TRAFFIC
TYPICAL SECTION - STAGE 1C**

SCALE: NTS SHEET NO. 31 OF 61 SHEETS STA. TO STA.

F.A.P. RTE.	SECTION	COUNTY	TOTAL SHEETS	SHEET NO.
361	06-00214-18-RP	KANE	451	93
CONTRACT NO. 63598			ILLINOIS FED. AID PROJECT	



LEGEND

- WORK AREA
 - BRIDGE WORK AREA
 - TEMPORARY PAVEMENT PLACED PREVIOUS STAGE
 - TEMPORARY PAVEMENT PLACED THIS STAGE
 - FLASHING ARROW BOARD
 - TRAFFIC LANE
 - TYPE III BARRICADES
 - TEMPORARY SIGN
 - IMPACT ATTENUATOR
 - DRUMS w/ STEADY BURN BI-DIRECTIONAL LIGHTS @ 50' CENTERS (TYP.) @ 25' CENTERS ON CURVES @ 20' CENTERS ON TAPERS
 - DRUMS w/ STEADY BURN MONO-DIRECTIONAL LIGHTS @ 20' CENTERS ON TAPERS
- ① TEMPORARY PAVEMENT MARKING - LETTERS AND SYMBOLS (WHITE)
 - ② TEMPORARY PAVEMENT MARKING - 4 INCH (WHITE)
 - ③ TEMPORARY PAVEMENT MARKING - 4 INCH (YELLOW) w/ TEMPORARY RAISED REFLECTIVE PAVEMENT MARKER
 - ④ TEMPORARY PAVEMENT MARKING - 6 INCH (WHITE) w/ TEMPORARY RAISED REFLECTIVE PAVEMENT MARKER
 - ⑤ TEMPORARY PAVEMENT MARKING - 12 INCH (WHITE)
 - ⑥ TEMPORARY PAVEMENT MARKING - 12 INCH (YELLOW)
 - ⑦ TEMPORARY PAVEMENT MARKING - 24 INCH (WHITE)
 - ⑧ TEMPORARY PAVEMENT MARKING - 4 INCH (YELLOW)

FILE NAME =	DESIGNED - AAA	REVISED -
... \D163598-shr-IL25-stn-mot-stage-02.dgn	DRAWN - TMB	REVISED -
USER NAME = tblank	CHECKED - JMM	REVISED -
PLOT DATE = 2/26/2013	DATE - 01/18/2013	REVISED -

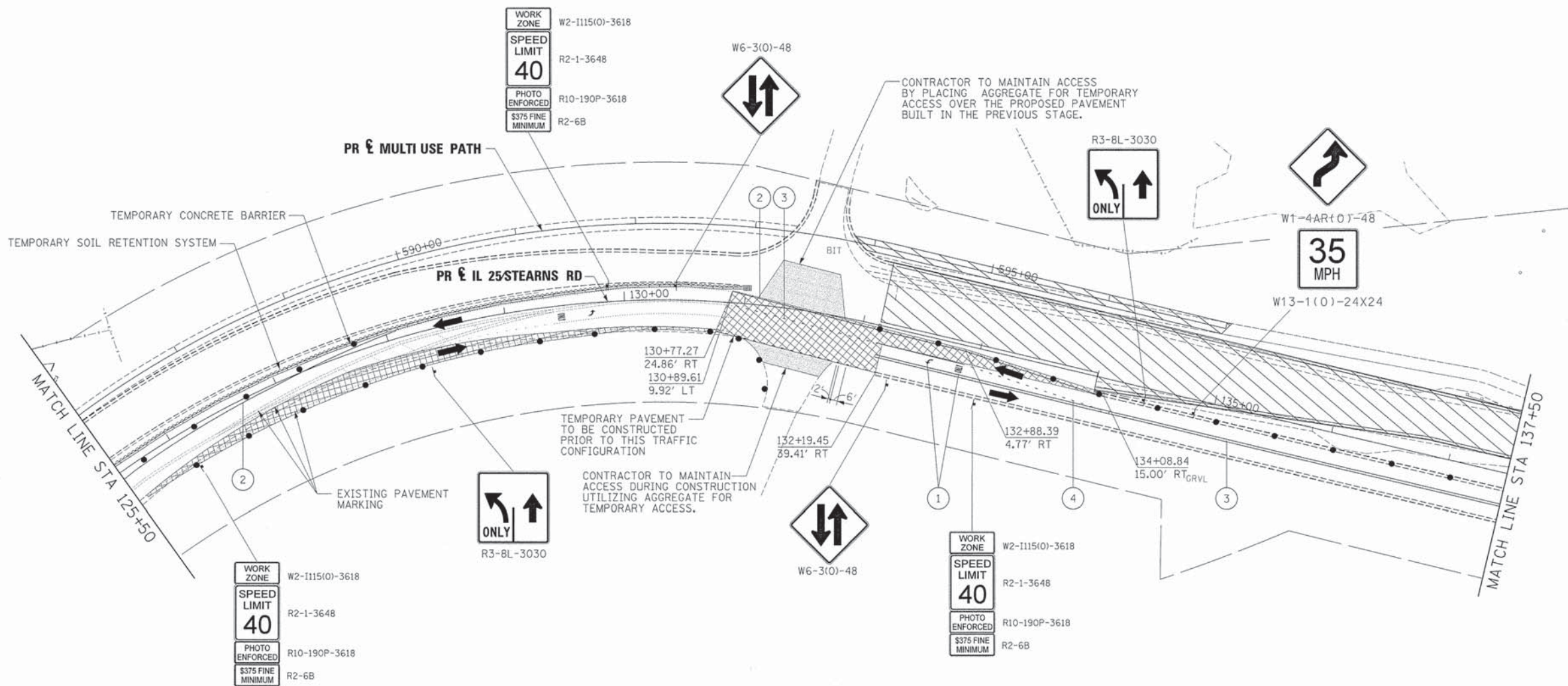


**STATE OF ILLINOIS
DIVISION OF TRANSPORTATION**

**MAINTENANCE OF TRAFFIC
IL 25/STEARNS RD STAGE 1C**

SCALE: 1"=50' SHEET NO. 32 OF 61 SHEETS STA. TO STA.












F.A.P. RTE.	SECTION	COUNTY	TOTAL SHEETS	SHEET NO.
361	06-00214-18-RP	KANE	451	94
CONTRACT NO. 63598				
ILLINOIS FED. AID PROJECT				



WORK ZONE
W2-1115(O)-3618
SPEED LIMIT
40
R2-1-3648
PHOTO ENFORCED
R10-190P-3618
\$375 FINE MINIMUM
R2-6B

WORK ZONE
W2-1115(O)-3618
SPEED LIMIT
40
R2-1-3648
PHOTO ENFORCED
R10-190P-3618
\$375 FINE MINIMUM
R2-6B

LEGEND

-  WORK AREA
 -  BRIDGE WORK AREA
 -  TEMPORARY PAVEMENT PLACED PREVIOUS STAGE
 -  TEMPORARY PAVEMENT PLACED THIS STAGE
 -  FLASHING ARROW BOARD
 -  TRAFFIC LANE
 -  TYPE III BARRICADES
 -  TEMPORARY SIGN
 -  IMPACT ATTENUATOR
 -  DRUMS w/ STEADY BURN BI-DIRECTIONAL LIGHTS
 @ 50' CENTERS (TYP.)
 @ 25' CENTERS ON CURVES
 @ 20' CENTERS ON TAPERS
 -  DRUMS w/ STEADY BURN MONO-DIRECTIONAL LIGHTS
 @ 20' CENTERS ON TAPERS
- ① TEMPORARY PAVEMENT MARKING - LETTERS AND SYMBOLS (WHITE)
 - ② TEMPORARY PAVEMENT MARKING - 4 INCH (WHITE)
 - ③ TEMPORARY PAVEMENT MARKING - 4 INCH (YELLOW) w/ TEMPORARY RAISED REFLECTIVE PAVEMENT MARKER
 - ④ TEMPORARY PAVEMENT MARKING - 6 INCH (WHITE) w/ TEMPORARY RAISED REFLECTIVE PAVEMENT MARKER
 - ⑤ TEMPORARY PAVEMENT MARKING - 12 INCH (WHITE)
 - ⑥ TEMPORARY PAVEMENT MARKING - 12 INCH (YELLOW)
 - ⑦ TEMPORARY PAVEMENT MARKING - 24 INCH (WHITE)
 - ⑧ TEMPORARY PAVEMENT MARKING - 4 INCH (YELLOW)

FILE NAME =	DESIGNED - AAA	REVISED -
...\\0163598-shr-IL25-stn-mot-stg1c-03.dgn	DRAWN - TMB	REVISED -
USER NAME = tblank	CHECKED - JMM	REVISED -
PLOT DATE = 2/26/2013	DATE - 01/18/2013	REVISED -

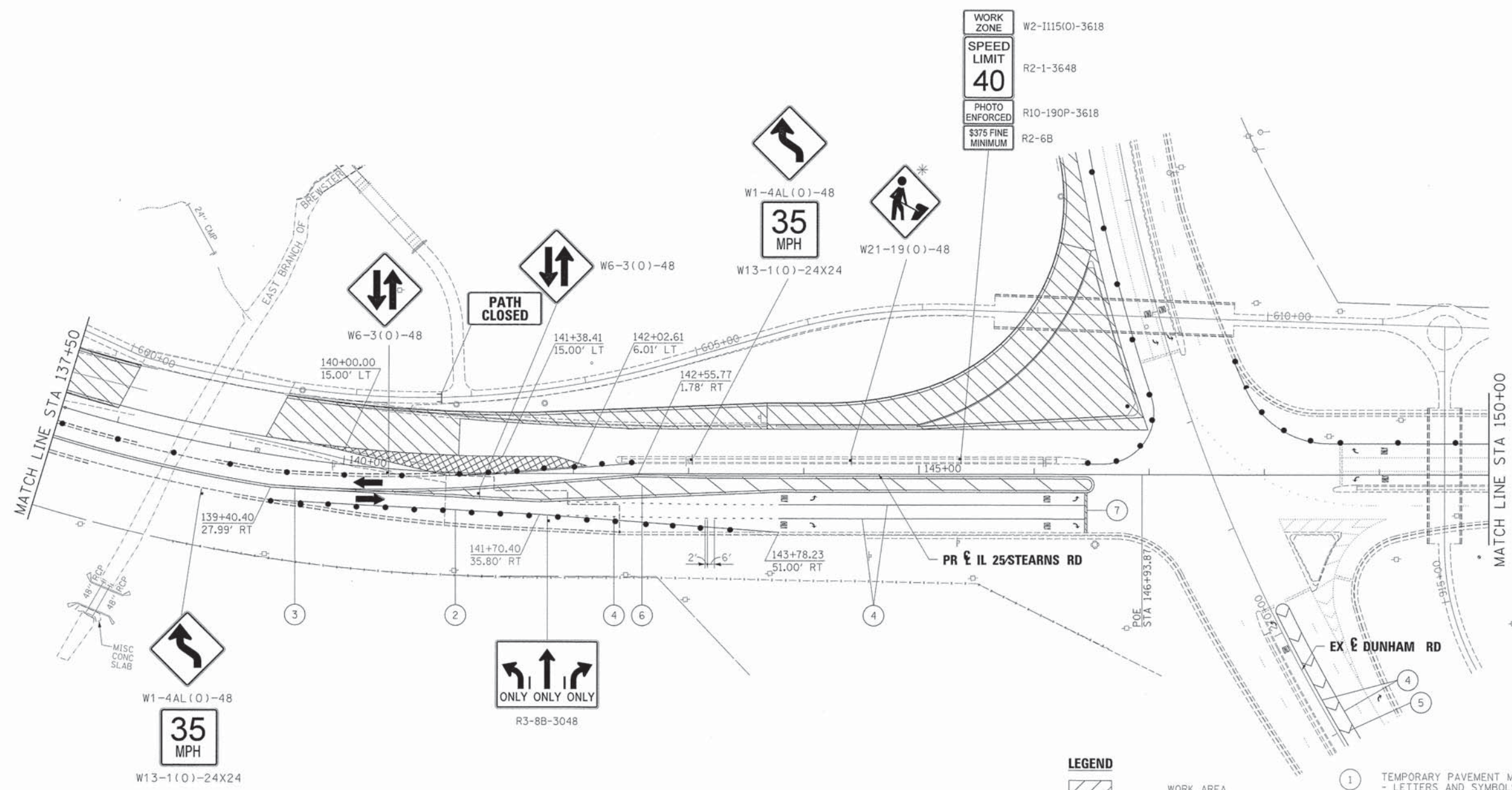


**STATE OF ILLINOIS
DIVISION OF TRANSPORTATION**

**MAINTENANCE OF TRAFFIC
IL 25 STEARNS RD STAGE 1C**

SCALE: 1"=50' SHEET NO. 33 OF 61 SHEETS STA. TO STA.

F.A.P. RTE.	SECTION	COUNTY	TOTAL SHEETS	SHEET NO.
361	06-00214-18-RP	KANE	451	95
CONTRACT NO. 63598				
ILLINOIS FED. AID PROJECT				



WORK ZONE	W2-1115(O)-3618
SPEED LIMIT	R2-1-3648
PHOTO ENFORCED	R10-190P-3618
\$375 FINE MINIMUM	R2-6B

LEGEND

	WORK AREA	①	TEMPORARY PAVEMENT MARKING - LETTERS AND SYMBOLS (WHITE)
	BRIDGE WORK AREA	②	TEMPORARY PAVEMENT MARKING - 4 INCH (WHITE)
	TEMPORARY PAVEMENT PLACED PREVIOUS STAGE	③	TEMPORARY PAVEMENT MARKING - 4 INCH (YELLOW) w/ TEMPORARY RAISED REFLECTIVE PAVEMENT MARKER
	TEMPORARY PAVEMENT PLACED THIS STAGE	④	TEMPORARY PAVEMENT MARKING - 6 INCH (WHITE) w/ TEMPORARY RAISED REFLECTIVE PAVEMENT MARKER
	FLASHING ARROW BOARD	⑤	TEMPORARY PAVEMENT MARKING - 12 INCH (WHITE)
	TRAFFIC LANE	⑥	TEMPORARY PAVEMENT MARKING - 12 INCH (YELLOW)
	TYPE III BARRICADES	⑦	TEMPORARY PAVEMENT MARKING - 24 INCH (WHITE)
	TEMPORARY SIGN	⑧	TEMPORARY PAVEMENT MARKING - 4 INCH (YELLOW)
	IMPACT ATTENUATOR		
	DRUMS w/ STEADY BURN BI-DIRECTIONAL LIGHTS @ 50' CENTERS (TYP.) @ 25' CENTERS ON CURVES @ 20' CENTERS ON TAPERS		
	DRUMS w/ STEADY BURN MONO-DIRECTIONAL LIGHTS @ 20' CENTERS ON TAPERS		

* WHEN WORKERS ARE PRESENT

FILE NAME =	DESIGNED - AAA	REVISED -
...\\D163598-shr-IL25-str-mot-stgic-04.dgn	DRAWN - TMB	REVISED -
USER NAME = tblank	CHECKED - JMM	REVISED -
PLOT DATE = 2/26/2013	DATE - 01/18/2013	REVISED -

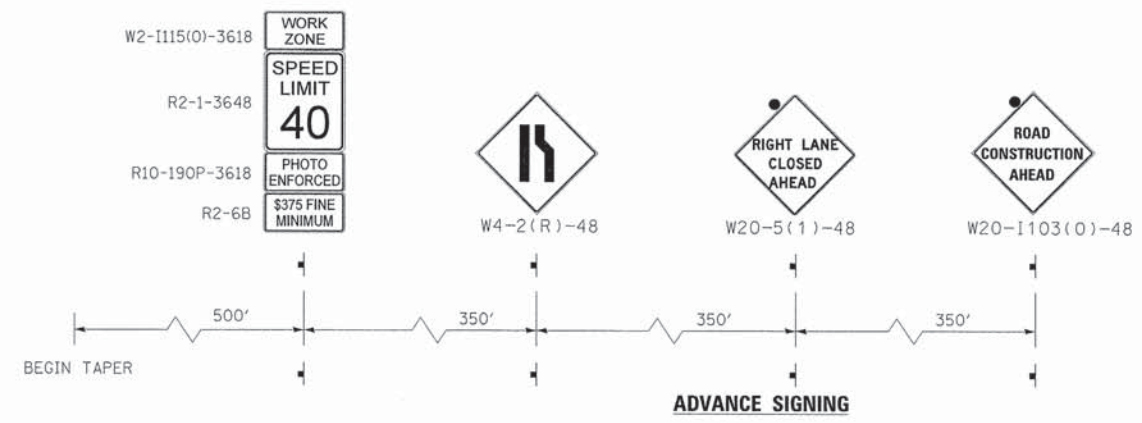
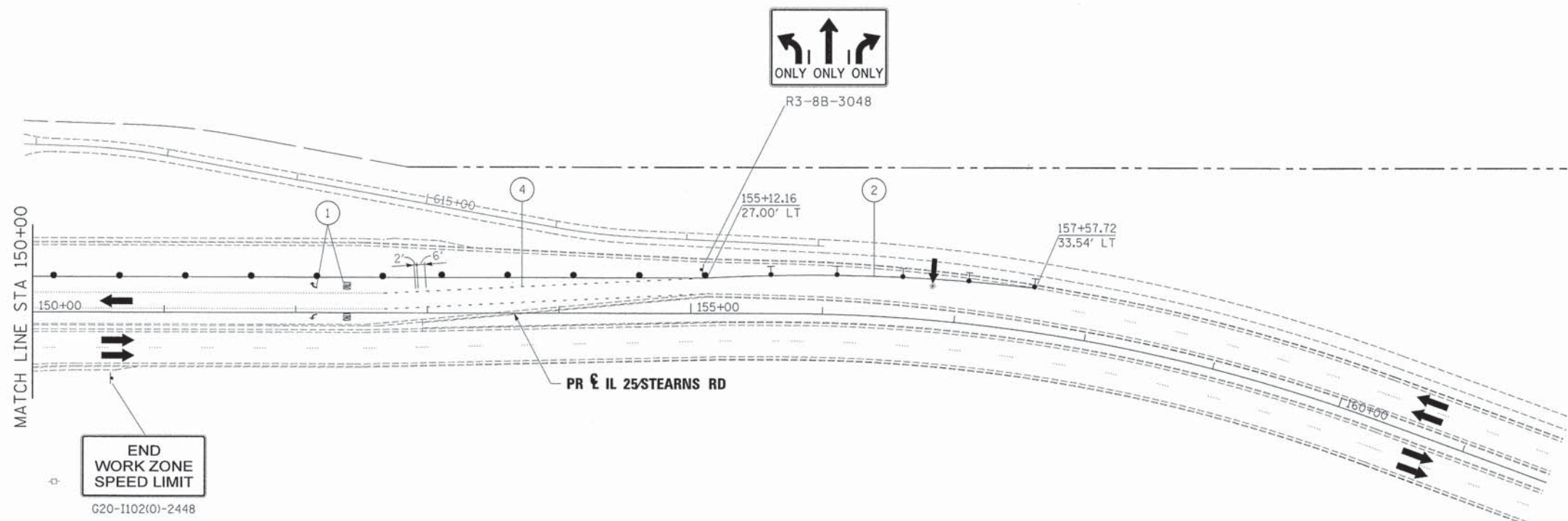


**STATE OF ILLINOIS
DIVISION OF TRANSPORTATION**

**MAINTENANCE OF TRAFFIC
IL 25/STEARNS RD STAGE 1C**

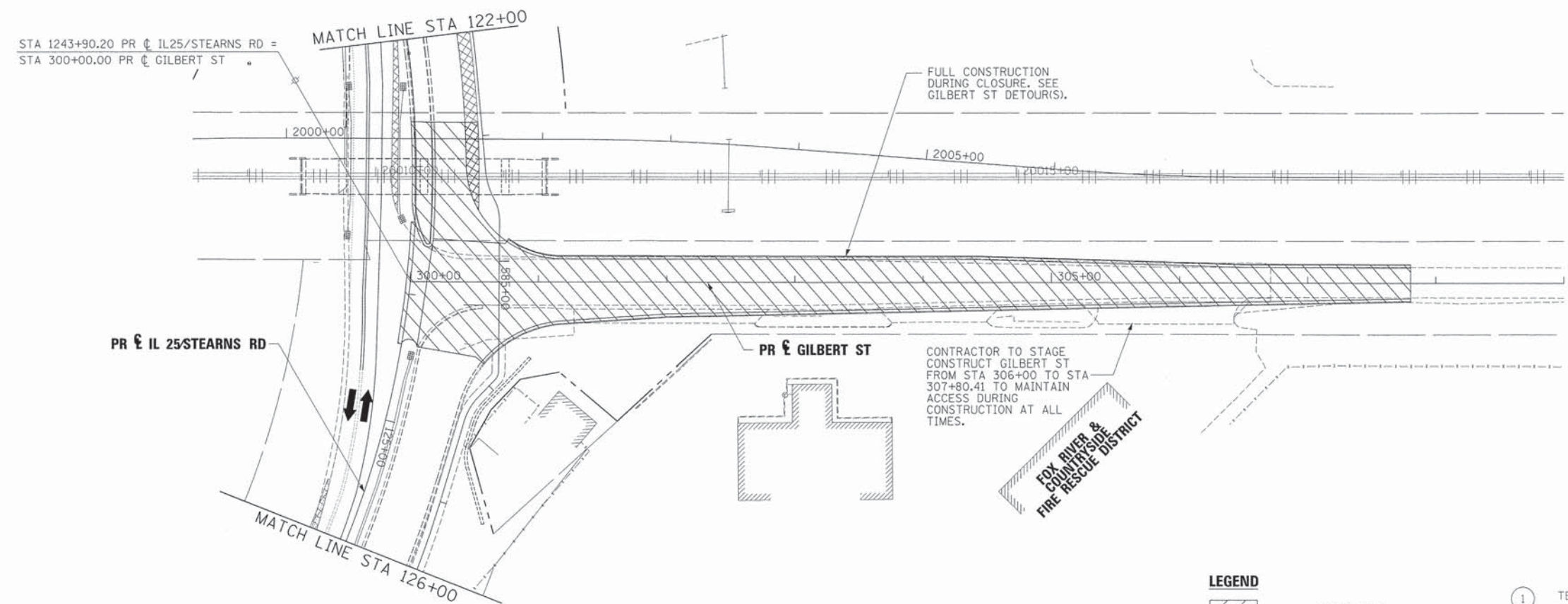
SCALE: 1"=50' SHEET NO. 34 OF 61 SHEETS STA. TO STA.

F.A.P. RTE.	SECTION	COUNTY	TOTAL SHEETS	SHEET NO.
361	06-00214-18-RP	KANE	451	96
CONTRACT NO. 63598				
ILLINOIS FED. AID PROJECT				



LEGEND		
	WORK AREA	① TEMPORARY PAVEMENT MARKING - LETTERS AND SYMBOLS (WHITE)
	BRIDGE WORK AREA	② TEMPORARY PAVEMENT MARKING - 4 INCH (WHITE)
	TEMPORARY PAVEMENT PLACED PREVIOUS STAGE	③ TEMPORARY PAVEMENT MARKING - 4 INCH (YELLOW) w/ TEMPORARY RAISED REFLECTIVE PAVEMENT MARKER
	TEMPORARY PAVEMENT PLACED THIS STAGE	④ TEMPORARY PAVEMENT MARKING - 6 INCH (WHITE) w/ TEMPORARY RAISED REFLECTIVE PAVEMENT MARKER
	FLASHING ARROW BOARD	⑤ TEMPORARY PAVEMENT MARKING - 12 INCH (WHITE)
	TRAFFIC LANE	⑥ TEMPORARY PAVEMENT MARKING - 12 INCH (YELLOW)
	TYPE III BARRICADES	⑦ TEMPORARY PAVEMENT MARKING - 24 INCH (WHITE)
	TEMPORARY SIGN	⑧ TEMPORARY PAVEMENT MARKING - 4 INCH (YELLOW)
	IMPACT ATTENUATOR	
	DRUMS w/ STEADY BURN BI-DIRECTIONAL LIGHTS @ 50' CENTERS (TYP.) @ 25' CENTERS ON CURVES @ 20' CENTERS ON TAPERS	
	DRUMS w/ STEADY BURN MONO-DIRECTIONAL LIGHTS @ 20' CENTERS ON TAPERS	

FILE NAME = ...ND163598-shr-IL25-str-mot-stg1c-05.dgn	DESIGNED - AAA	REVISED -		STATE OF ILLINOIS DIVISION OF TRANSPORTATION	MAINTENANCE OF TRAFFIC IL 25 STEARNS RD STAGE 1C			F.A.P. RTE. 361	SECTION 06-00214-18-RP	COUNTY KANE	TOTAL SHEETS 451	SHEET NO. 97	
USER NAME = tblank	DRAWN - TMB	REVISED -			SCALE: 1"=50'	SHEET NO. 35 OF 61 SHEETS	STA.	TO STA.	ILLINOIS FED. AID PROJECT				
PLOT DATE = 2/26/2013	CHECKED - JMM	REVISED -			CONTRACT NO. 63598								
	DATE - 01/18/2013	REVISED -											



LEGEND		
	WORK AREA	① TEMPORARY PAVEMENT MARKING - LETTERS AND SYMBOLS (WHITE)
	BRIDGE WORK AREA	② TEMPORARY PAVEMENT MARKING - 4 INCH (WHITE)
	TEMPORARY PAVEMENT PLACED PREVIOUS STAGE	③ TEMPORARY PAVEMENT MARKING - 4 INCH (YELLOW) w/ TEMPORARY RAISED REFLECTIVE PAVEMENT MARKER
	TEMPORARY PAVEMENT PLACED THIS STAGE	④ TEMPORARY PAVEMENT MARKING - 6 INCH (WHITE) w/ TEMPORARY RAISED REFLECTIVE PAVEMENT MARKER
	FLASHING ARROW BOARD	⑤ TEMPORARY PAVEMENT MARKING - 12 INCH (WHITE)
	TRAFFIC LANE	⑥ TEMPORARY PAVEMENT MARKING - 12 INCH (YELLOW)
	TYPE III BARRICADES	⑦ TEMPORARY PAVEMENT MARKING - 24 INCH (WHITE)
	TEMPORARY SIGN	⑧ TEMPORARY PAVEMENT MARKING - 4 INCH (YELLOW)
	IMPACT ATTENUATOR	
	DRUMS w/ STEADY BURN BI-DIRECTIONAL LIGHTS @ 50' CENTERS (TYP.) @ 25' CENTERS ON CURVES @ 20' CENTERS ON TAPERS	
	DRUMS w/ STEADY BURN MONO-DIRECTIONAL LIGHTS @ 20' CENTERS ON TAPERS	

FILE NAME +	DESIGNED - AAA	REVISED -
...\\D163598-sht-gil-mot-stage-09.dgn	DRAWN - TMB	REVISED -
USER NAME = thlorik	CHECKED - JMM	REVISED -
PLOT DATE = 2/26/2013	DATE - 01/18/2013	REVISED -

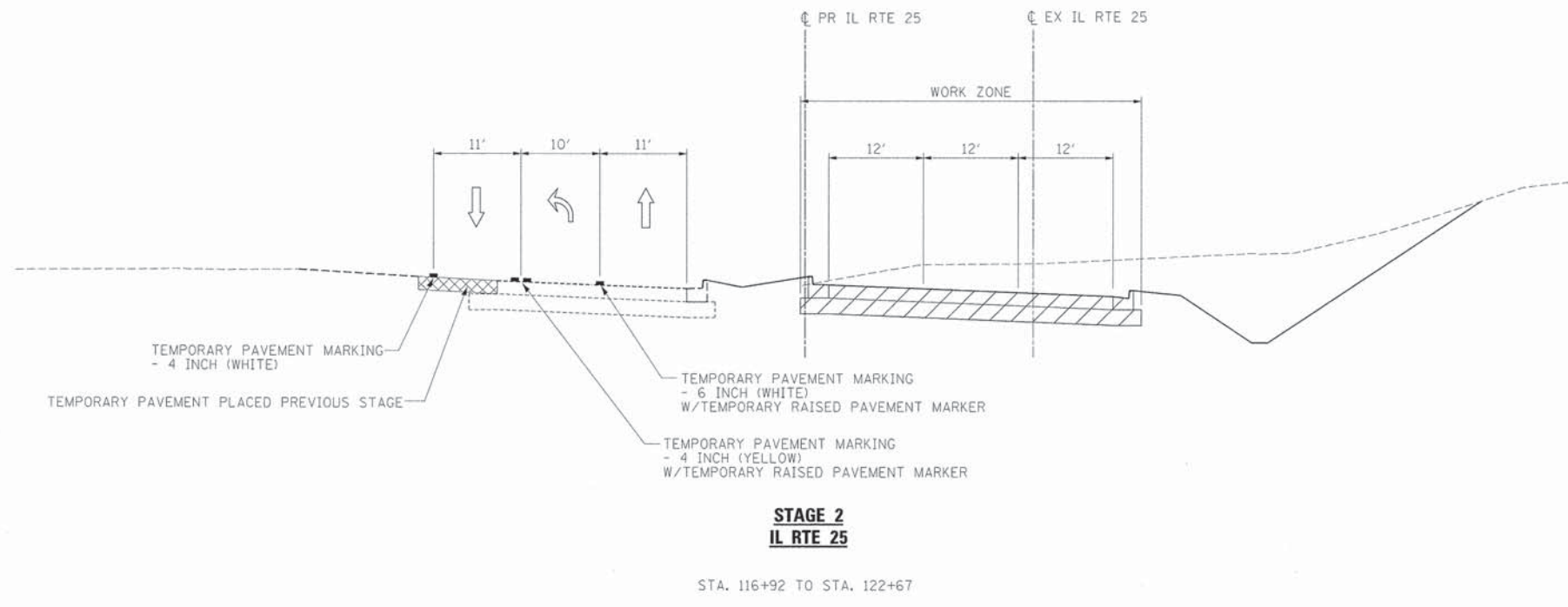
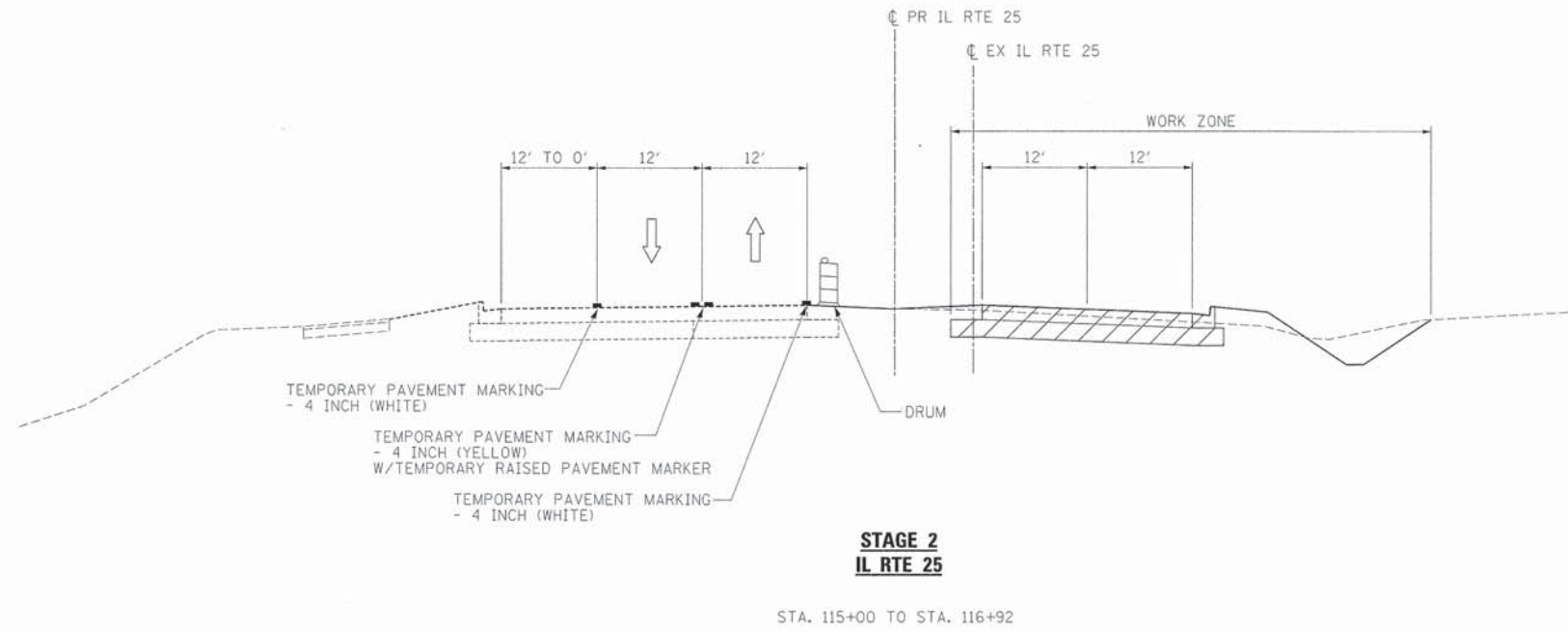


**STATE OF ILLINOIS
DIVISION OF TRANSPORTATION**

**MAINTENANCE OF TRAFFIC
GILBERT ST STAGE 1C**

SCALE: 1"=50' SHEET NO. 36 OF 61 SHEETS STA. TO STA.

F.A.P. RTE.	SECTION	COUNTY	TOTAL SHEETS	SHEET NO.
361	06-00214-18-RP	KANE	451	98
				CONTRACT NO. 63598
ILLINOIS FED. AID PROJECT				



FILE NAME =	DESIGNED - AAA	REVISED -
...VD163598-shr-mot-tp-1125-01.dgn	DRAWN - TMB	REVISED -
USER NAME = tblank	CHECKED - JMM	REVISED -
PLOT DATE = 2/26/2013	DATE - 01/18/2013	REVISED -

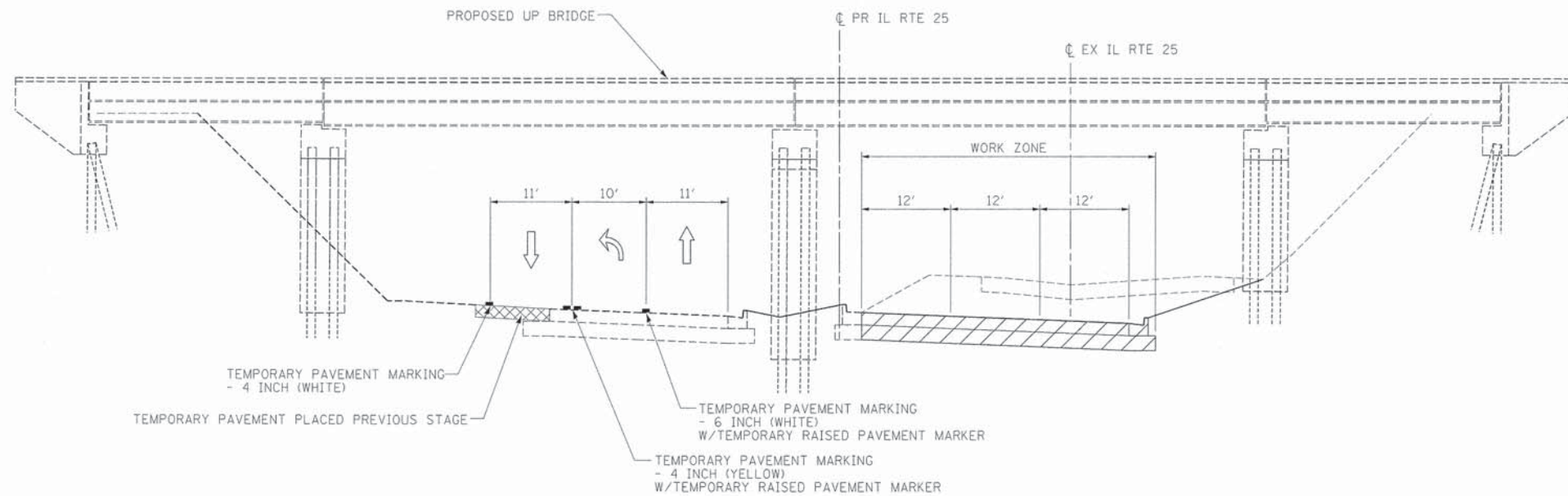


**STATE OF ILLINOIS
DIVISION OF TRANSPORTATION**

**MAINTENANCE OF TRAFFIC
TYPICAL SECTION - STAGE 2**

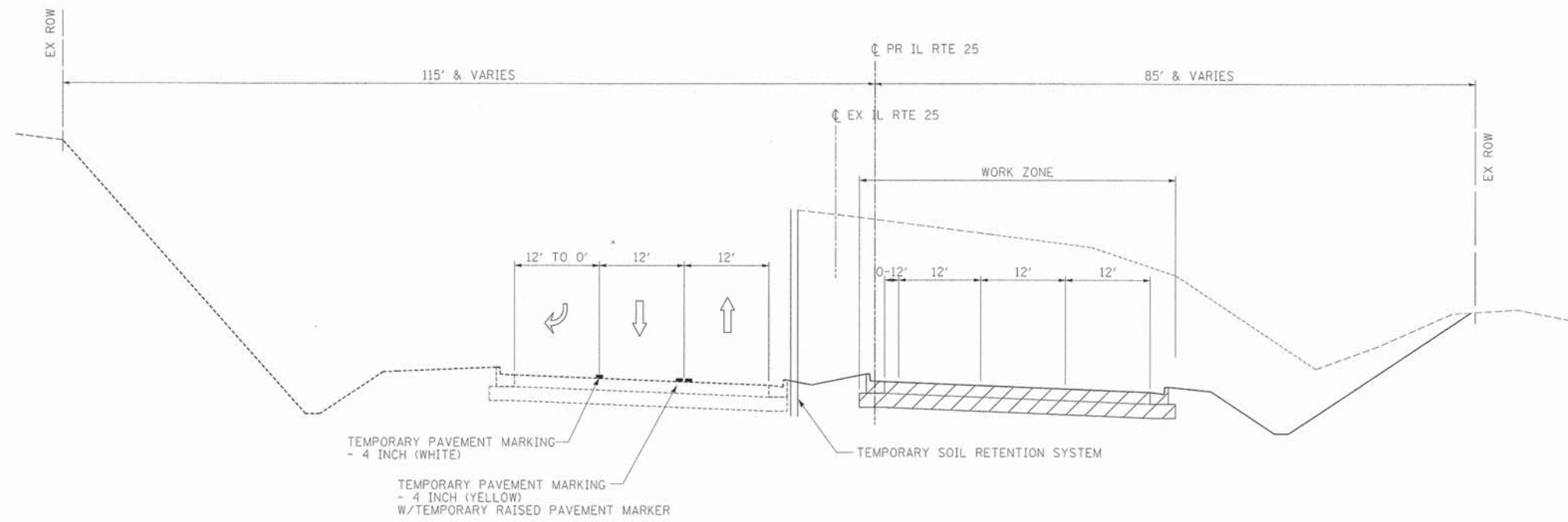
SCALE: NTS SHEET NO. 37 OF 61 SHEETS STA. TO STA.

F.A.P. RTE.	SECTION	COUNTY	TOTAL SHEETS	SHEET NO.
361	06-00214-18-RP	KANE	451	99
CONTRACT NO. 63598				
ILLINOIS FED. AID PROJECT				



**STAGE 2
IL RTE 25**

STA. 123+00 (PROPOSED UP RR BRIDGE)



**STAGE 2
IL RTE 25**

STA. 125+63 TO STA. 130+34

FILE NAME =	DESIGNED - AAA	REVISED -
...\\D163598-shk-mot-typr-125-18.dgn	DRAWN - TMB	REVISED -
USER NAME = tblank	CHECKED - JMM	REVISED -
PLOT DATE = 2/26/2013	DATE - 01/18/2013	REVISED -



**STATE OF ILLINOIS
DIVISION OF TRANSPORTATION**

**MAINTENANCE OF TRAFFIC
TYPICAL SECTION - STAGE 2**

SCALE: NTS SHEET NO. 38 OF 61 SHEETS STA. TO STA.

F.A.P. RTE.	SECTION	COUNTY	TOTAL SHEETS	SHEET NO.
361	06-00214-18-RP	KANE	451	100
CONTRACT NO. 63598			ILLINOIS FED. AID PROJECT	