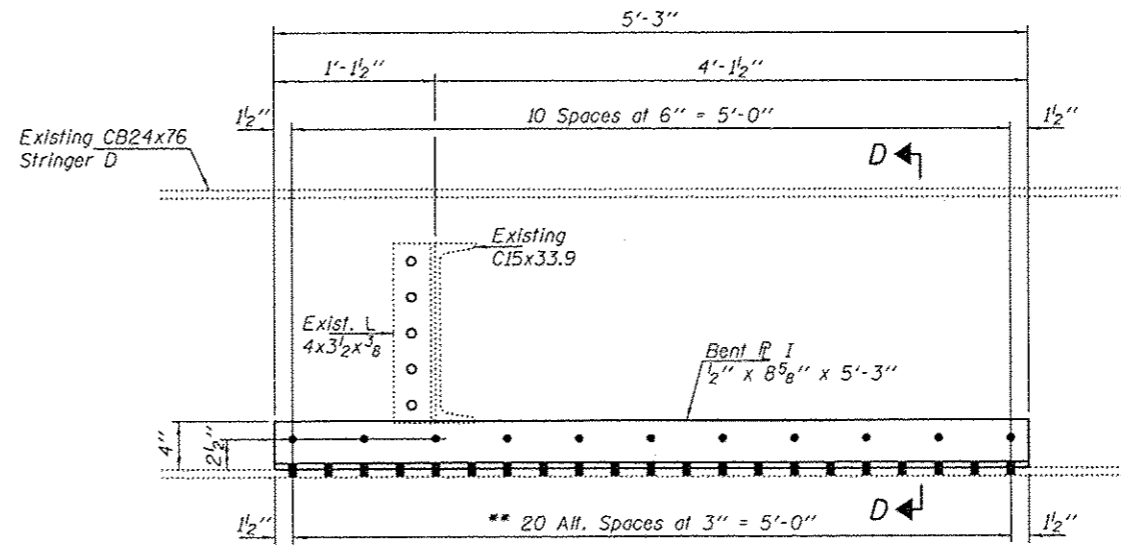
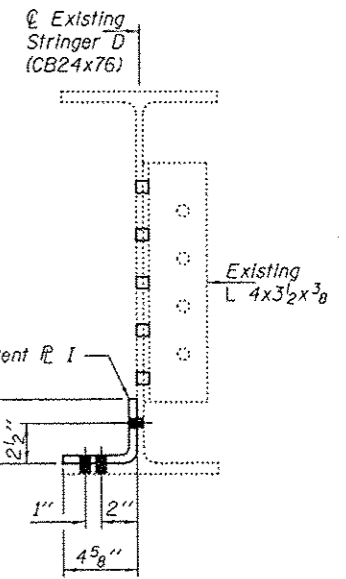


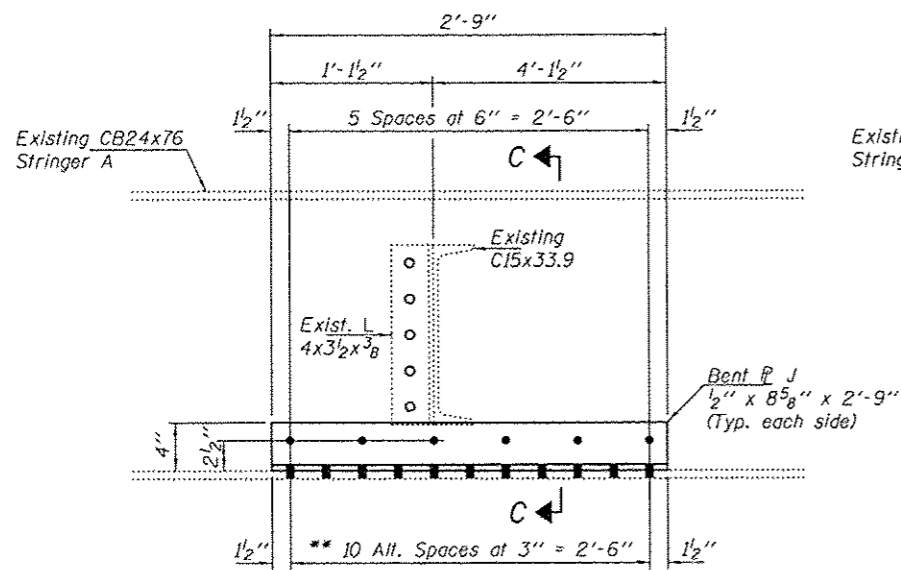
ITEM H REPAIR DETAILS
(Looking West)



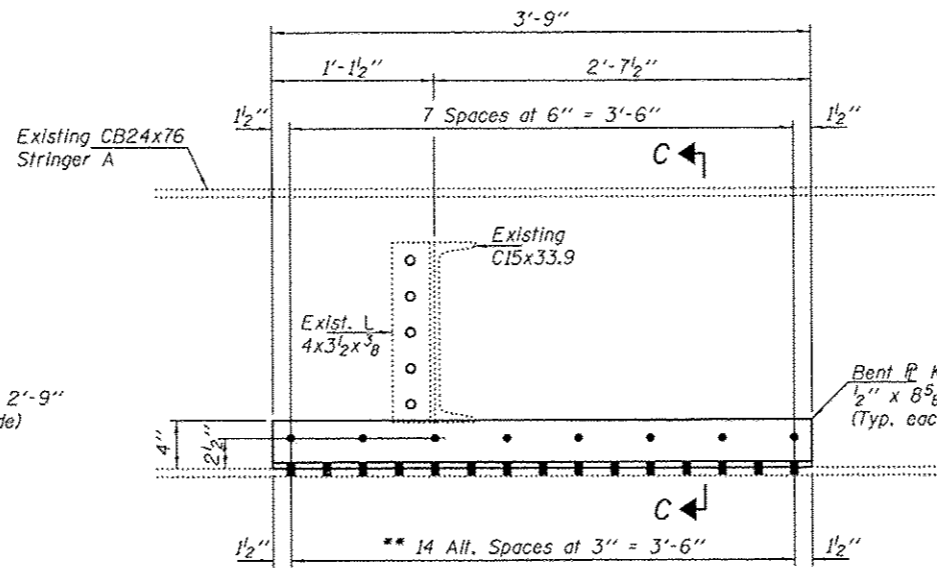
ITEM I REPAIR DETAILS
(Looking West)



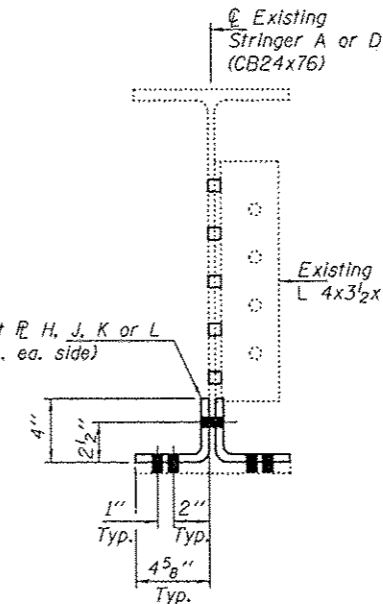
SECTION D-D



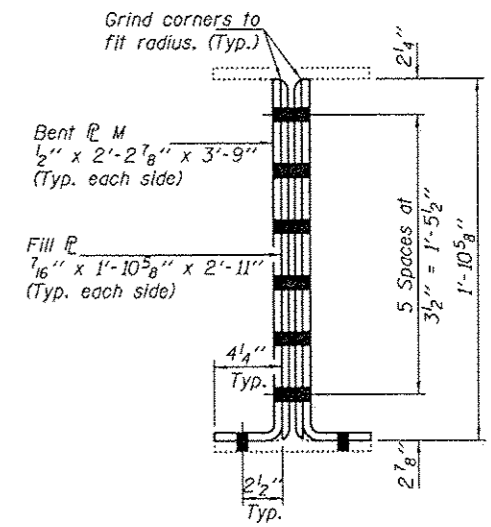
ITEM J REPAIR DETAILS
(Looking West)



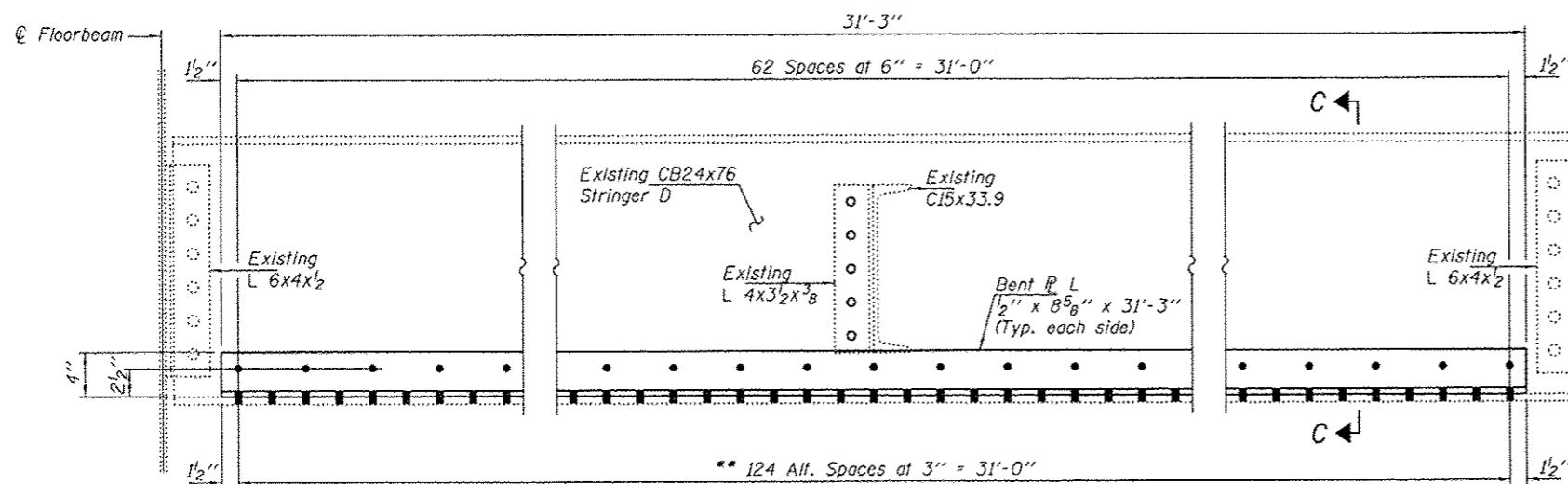
ITEM K REPAIR DETAILS
(Looking West)



SECTION C-C



SECTION E-E



ITEM L REPAIR DETAILS
(Looking West)

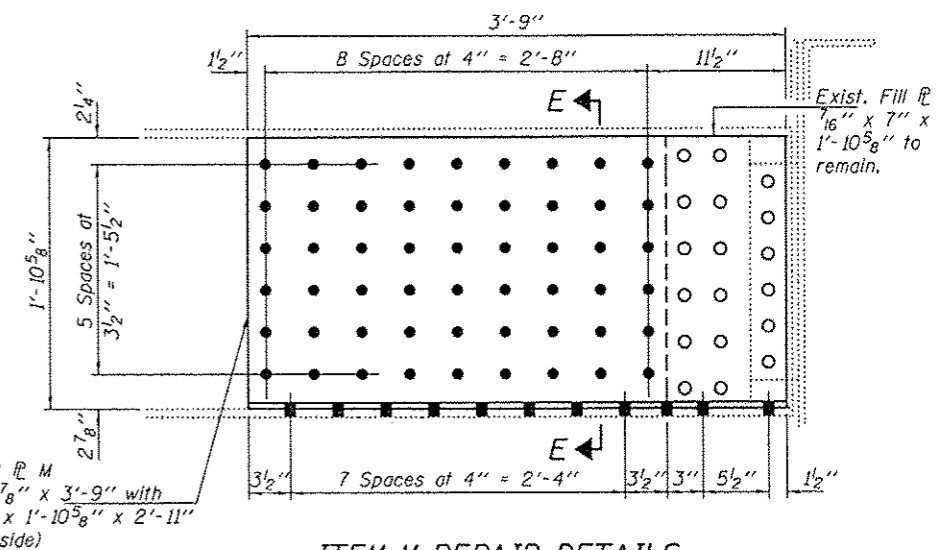
BOLT HOLE LEGEND

- - Holes to be shop drilled
- - Holes to be field drilled

* Remove existing 1/2" x 10" x 1'-10 5/8" Repair R's. Cost included with Structural Steel Repair.

* Install Bent R M 1/2" x 2'-2 7/8" x 3'-9" with Fill R 7/16" x 1'-10 5/8" x 2'-11" (Typ. each side)

** For Plan View of Typical Flange Bolt spacing see sheet 9 of 13.



ITEM M REPAIR DETAILS
(Looking West)

DESIGNED TLC
CHECKED ATH
DRAWN Steffen
CHECKED TLC ATH

EXAMINED
PASSED
Trusty A. ...
ACTING ENGINEER OF STRUCTURAL SERVICES
ACTING ENGINEER OF BRIDGES AND STRUCTURES

DATE AUGUST 1, 2014
REVISED
REVISED

STATE OF ILLINOIS
DEPARTMENT OF TRANSPORTATION

STRINGER REPAIR DETAILS
SN 002-0005

SHEET NO. 10 OF 13 SHEETS

F.A.S. RTE.	SECTION	COUNTY	TOTAL SHEETS	SHEET NO.
944	(L380-BR)-7	ALEXANDER	17	14
CONTRACT NO. 78400				
ILLINOIS FED. AID PROJECT				