

** DIST 8 DEEP WELLS 2015-1
 *** MADISON & ST. CLAIR

INDEX OF SHEETS

- 1 COVER SHEET, STANDARDS, ADT
- 2 GENERAL NOTES
- 3 SUMMARY OF QUANTITIES
- 4 LOCATION NO. 1: SITE PLAN VENICE WELLS (IL ROUTE 3)
- 5 LOCATION NO. 2: SITE PLAN TRI-LEVEL
- 6 LOCATION NO. 3: SITE PLAN MISSOURI AVENUE WELLS
- 7 LOCATION NO. 4: SITE PLAN 25TH STREET
- 8 TYPICAL WELL DETAILS LOCATION 1, 2 & 4
- 9 TYPICAL WELL DETAILS LOCATION 3

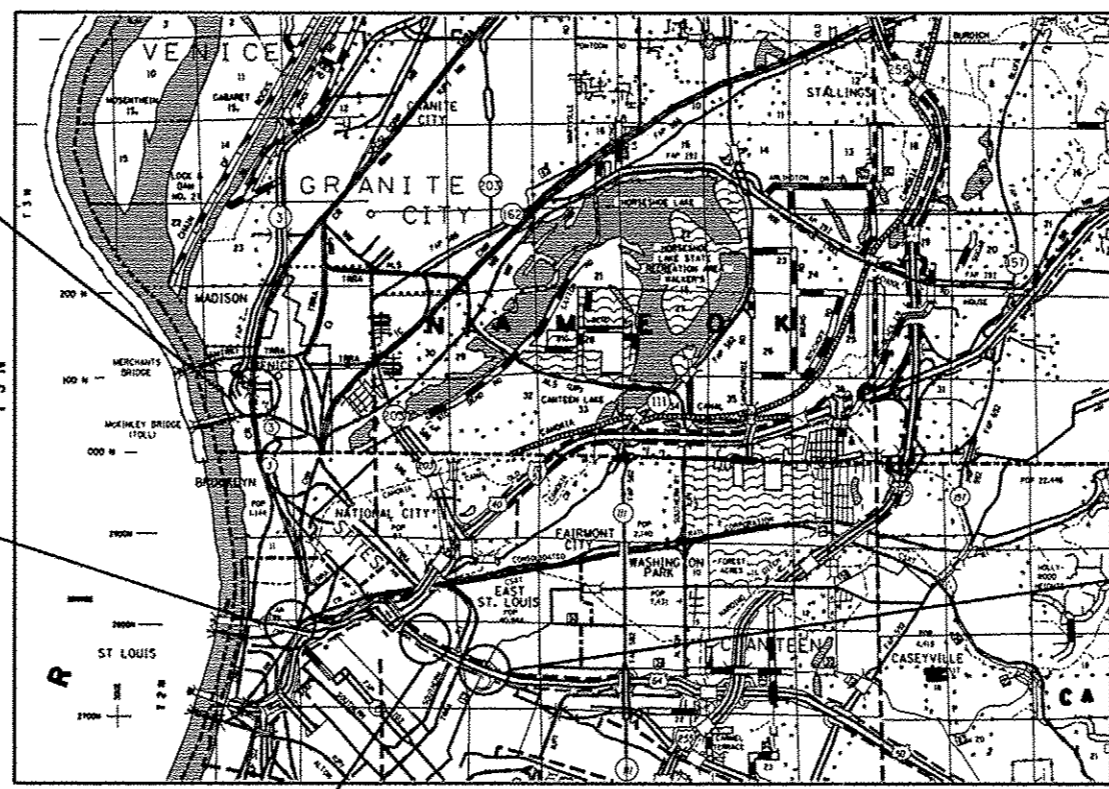
STATE OF ILLINOIS
DEPARTMENT OF TRANSPORTATION
DIVISION OF HIGHWAYS

PROPOSED
HIGHWAY PLANS

VARIOUS ROUTES
SECTION DIST 8 DEEP WELLS 2015-1
MADISON AND ST. CLAIR COUNTIES

C-98-068-14

D-98-066-14

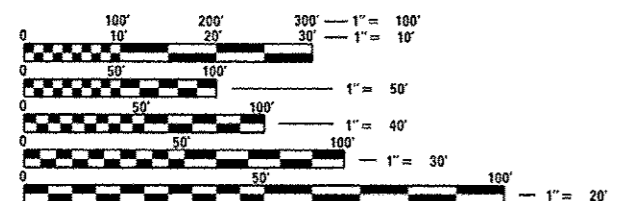


LOCATION 1
 VENICE WELLS (IL RTE 3)
LOCATION 1
 LATITUDE: 38.67174
 LONGITUDE: -90.17479

LOCATION 3
 MISSOURI AVENUE WELLS
LOCATION 3
 WELL 2:
 LATITUDE: 38.62881
 LONGITUDE: -90.16176
 WELL 4:
 LATITUDE: 38.62905
 LONGITUDE: -90.16117
 WELL 5:
 LATITUDE: 38.62855
 LONGITUDE: -90.16222
 WELL 6:
 LATITUDE: 38.78946
 LONGITUDE: -90.16568

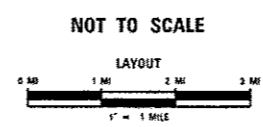
LOCATION 4
 25TH STREET
LOCATION 4
 LATITUDE: 38.627812
 LONGITUDE: -90.138259

LOCATION 2
 TRI-LEVEL
LOCATION 2
 LATITUDE: 38.6335
 LONGITUDE: -90.1451



FULL SIZE PLANS HAVE BEEN PREPARED USING STANDARD ENGINEERING SCALES. REDUCED SIZED PLANS WILL NOT CONFORM TO STANDARD SCALES. IN MAKING MEASUREMENTS ON REDUCED PLANS, THE ABOVE SCALES MAY BE USED.

J.U.L.I.E.
 JOINT UTILITY LOCATION INFORMATION FOR EXCAVATION
 1-800-892-0123
 OR 811



TRAFFIC DATA:
 LOCATION 1: VENICE (IL ROUTE 3) = 6,200 (2009)
 LOCATION 2: TRI-LEVEL = 68,900 (2009)
 ST. CLAIR AVENUE = 4,150 (2009)
 RAMP C = 950 (2009)
 LOCATION 3: MISSOURI AVENUE = 2,900 (2009)
 LOCATION 4: 15TH STREET & 25TH STREET = 68,800 (2009)

PROJECT ENGINEER: MIKE PRITCHETT (618)346-3180
PROJECT MANAGER: GWEN LAGEMANN (618)346-3181

CONTRACT NO. 76H40

STATE OF ILLINOIS
 DEPARTMENT OF TRANSPORTATION
 DIVISION OF HIGHWAYS

SUBMITTED July 11 2014
Jeffrey J. Fenwick
 DEPUTY DIRECTOR OF HIGHWAYS, REGION 5 ENGINEER

Aug 15 2014
John D. Baranzelli, PE
 ENGINEER OF DESIGN AND ENVIRONMENT

Aug 15 2014
Omair Aslam, PE
 DIRECTOR OF HIGHWAYS, CHIEF ENGINEER

**PRINTED BY THE AUTHORITY
 OF THE STATE OF ILLINOIS**

GENERAL NOTES

STANDARDS

701400-07	APPROACH TO LANE CLOSURE, FREEWAY/EXPRESSWAY
701406-08	LANE CLOSURES FREEWAY/EXPRESSWAY, DAY OPERATION ONLY
701428	TRAFFIC CONTROL SETUP AND REMOVAL FREEWAY/EXPRESSWAY
701601-09	URBAN LANE CLOSURE, MULTILANE, 1W OR 2W WITH NONTRAVERSABLE MEDIAN
701901-03	TRAFFIC CONTROL DEVICES

1. THE STANDARDS AND REVISION NUMBERS LISTED SHALL APPLY TO THIS PROJECT.
2. WHERE SECTION OR SUB-SECTION MONUMENTS ARE ENCOUNTERED, THE ENGINEER SHALL BE NOTIFIED BEFORE SUCH MONUMENTS ARE REMOVED. THE CONTRACTOR SHALL PROTECT AND CAREFULLY PRESERVE ALL PROPERTY MARKERS AND MONUMENTS UNTIL THE OWNER, AN AUTHORIZED SURVEYOR OR AGENT HAS WITNESSED OR OTHERWISE REFERENCED THE LOCATION.
3. ILLINOIS STATE LAW REQUIRES A 48-HOUR NOTICE BE GIVEN TO UTILITY BEFORE DIGGING. FIELD MARKING OF FACILITIES MAY BE OBTAINED BY CONTACTING J.U.L.I.E. OR FOR NON-MEMBERS, THE UTILITY COMPANY DIRECTLY. AGENCIES KNOWN TO HAVE FACILITIES IN THE AREA OF THIS PROJECT ARE:

LOCATION 1: (VENICE WELLS)

- * AMEREN IP
- * AMEREN IP (GAS)
- * AT&T CORPORATION
- * AT&T ILLINOIS
- * CENTERPOINT ENERGY
- * CHARTER COMMUNICATIONS, INC.
- * CONSOLIDATED COMMUNICATIONS
- * EXPLORER PIPELINE COMPANY
- * ILLINOIS AMERICAN WATER CO.
- * LEVEL 3 COMMUNICATIONS
- * MCLEOD USE TELECOMMUNICATIONS, INC.
- * NETWORKS, 360
- * QWEST COMMUNICATIONS
- * SPRINT COMMUNICATIONS CO.
- * VERIZON BUSINESS

LOCATION 2: (TRI-LEVEL WELLS)

- * AMEREN IP
- * AMEREN-UE
- * AT&T ILLINOIS
- * CITY OF EAST ST. LOUIS
- * ILLINOIS AMERICAN WATER CO.
- * MCLEOD USA TELECOMMUNICATIONS, INC.
- * QWEST COMMUNICATIONS

LOCATION 3: (MISSOURI AVE WELLS)

- * AMEREN IP
- * AMEREN-UE
- * AT&T ILLINOIS
- * CHARTER COMMUNICATIONS, INC.
- * CITY OF EAST ST. LOUIS
- * ILLINOIS AMERICAN WATER CO.
- * LEVEL 3 COMMUNICATIONS, LLC
- * LIGHTCORE
- * MCLEOD USA TELECOMMUNICATIONS, INC.
- * NETWORKS, 360
- * QWEST COMMUNICATIONS
- * VERIZON BUSINESS

LOCATION 4: (25TH ST. WELLS)

- * AMEREN IP
- * AMEREN-UE
- * AT&T ILLINOIS
- * CITY OF EAST ST. LOUIS
- * ILLINOIS AMERICAN WATER CO.
- * MCLEOD USA TELECOMMUNICATIONS, INC.
- * QWEST COMMUNICATIONS

(MEMBERS OF J.U.L.I.E. (800) 892-0123 ARE INDICATED BY *. NON-J.U.L.I.E. MEMBERS MUST BE NOTIFIED INDIVIDUALLY).

4. ALL WELLS REQUIRE SEALING OF MISCELLANIOUS OPENINGS IN THE WELL HEAD TO PREVENT LEAKAGE DURING TREATMENT OPERATIONS. THIS WORK WILL NOT BE PAID FOR SEPARATELY, BUT WILL BE INCLUDED IN COST OF THE SPECIFIED TREATMENT METHODS.
5. THE DEPARTMENT RESERVES THE RIGHT TO NOTIFY THE CONTRACTOR TO CHANGE THE SEQUENCE OF WELL CLEANING IF NEEDED TO ENSURE PROPER DEWATERING NEEDS FOR THE DEPARTMENT. THE CONTRACTOR SHALL ALLOW 24 HOURS BETWEEN WELL TREATMENTS. THE CONTRACTOR SHALL INSTALL THE TEMPORARY DISCHARGE PIPES BACK INTO THE WELL DISCHARGE PIPES. ALL DISCHARGE WATER SHALL BE DISCHARGED INTO THE WALL FORCE MAINS.
6. THE DEPARTMENT STRONGLY ENCOURAGES THE PRIME CONTRACTOR AND THEIR APPROVED SUB-CONTRACTORS TO HIRE MINORITY, WOMEN AND DISADVANTAGED INDIVIDUALS FROM ITS FEDERALLY FUNDED HIGHWAY CONSTRUCTION CAREERS TRAINING PROGRAM (HCCTP) TO HELP MEET WORKFORCE AND TRAINEE GOALS. THIS PROGRAM IS TRAINING MINORITIES, WOMEN AND DISADVANTAGED INDIVIDUALS IN HIGHWAY CONSTRUCTION-RELATED SKILLS, E.G., MATH FOR THE TRADES, JOB READINESS, TECHNICAL SKILLS COURSEWORK (CARPENTRY, CONCRETE FLATWORK, BLUEPRINT READING, SITE PLANS, SITE WORK, TOOLS USE, ETC.) AND OSHA 10 HOUR CERTIFICATION, TO PREPARE THEM FOR A CAREER IN THE HIGHWAY CONSTRUCTION TRADES. GRADUATES ARE WELL-TRAINED AND READY TO BECOME PRODUCTIVE ENTRY-LEVEL CONSTRUCTION WORKERS. CONTACT THE DISTRICT 8 EEO OFFICE AT 618-346-3360 AND/OR THE HCCTP COORDINATOR AT 618-874-6528 TO LEARN MORE ABOUT THE PROGRAM AND FOR ASSISTANCE IN MEETING WORKFORCE AND TRAINEE GOALS.

** DIST 8 DEEP WELLS 2015-1
 *** MADISON & ST. CLAIR

FILE NAME *	USER NAME * millerra	DESIGNED -	REVISED -	STATE OF ILLINOIS DEPARTMENT OF TRANSPORTATION	GENERAL NOTES				F.A.I. RTE.	SECTION	COUNTY	TOTAL SHEETS	SHEET NO.
et:\pwwork\psidat\millerra\40482903\d87	40482903\plan.dgn	DRAWN -	REVISED -						VAR	**	***	9	2
	PLOT SCALE * 100.0000' / 1" =	CHECKED -	REVISED -		CONTRACT NO. 76H40				FED. ROAD DIST. NO.	ILLINOIS	FED. AID PROJECT		
	PLOT DATE * 7/2/2014	DATE -	REVISED -		SCALE:	SHEET NO.	OF	SHEETS	STA.	TO STA.			

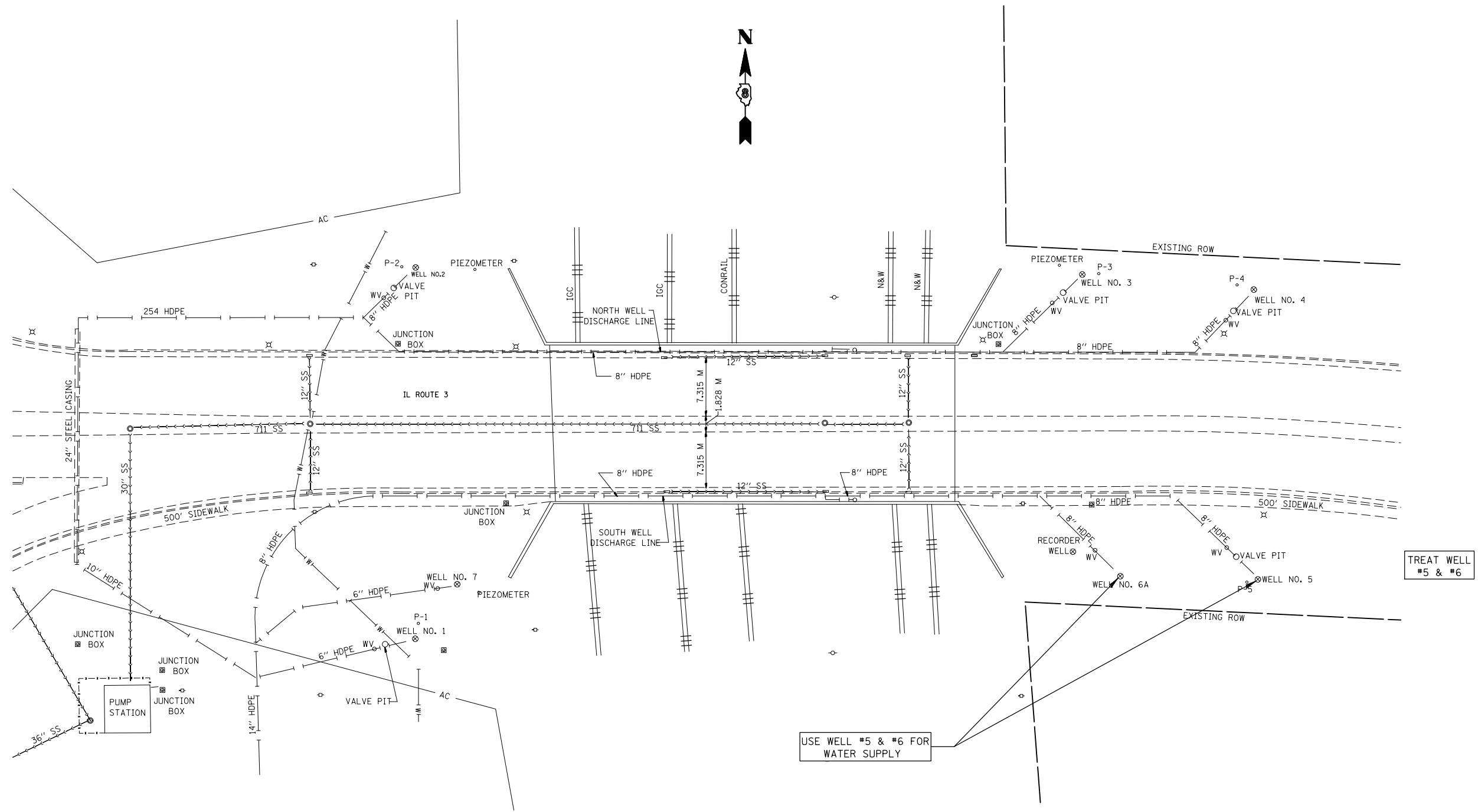
SUMMARY OF QUANTITIES

SUMMARY OF QUANTITIES			TOTAL QUANTITIES	CONSTRUCTION TYPE CODE 0044 100% STATE URBAN			
CODE NO	ITEM	UNIT		LOCATION 1 MADISON	LOCATION 2 ST. CLAIR	LOCATION 3 ST. CLAIR	LOCATION 4 ST. CLAIR
67100100	MOBILIZATION	L SUM	1	0.25	0.25	0.25	0.25
70100700	TRAFFIC CONTROL AND PROTECTION, STANDARD 701406	L SUM	1		0.50	0.50	
70102630	TRAFFIC CONTROL AND PROTECTION, STANDARD 701601	L SUM	1	0.50			0.50
X0300358	ADDITIONAL TREATMENT NO. 1	EACH	10	2	2	5	1
X0300359	ADDITIONAL TREATMENT NO. 2	EACH	10	2	2	5	1
X0325850	SONAR-JET TREATMENT	EACH	2		1	1	
X0943700	WELL CHEMICAL TREATMENT	EACH	7	2	1	3	1
X0943705	WELL CHEMICAL TREATMENT, SPECIAL	EACH	1			1	
X7010410	SPEED DISPLAY TRAILER	CAL MO	7	2	1	3	1
9							

** DIST 8 DEEP WELLS 2015-1
*** MADISON & ST. CLAIR

FILE NAME =	USER NAME = milleraj	DESIGNED -	REVISED -	STATE OF ILLINOIS DEPARTMENT OF TRANSPORTATION	SUMMARY OF QUANTITIES	F.A.I. RTE.	SECTION	COUNTY	TOTAL SHEETS	SHEET NO.	
si:\pe\work\p\rdot\milleraj\d0402903\d076440-eh-plant.dgn	PLOT SCALE = 1/8" = 1'-0"	DRAWN -	REVISED -			VAR	**	...	9	3	
	PLOT DATE = 7/2/2014	CHECKED -	REVISED -			CONTRACT NO. 76H40					
		DATE -	REVISED -			ILLINOIS FED. AID PROJECT					

SCALE: SHEET OF SHEETS STA. TO STA.



LOCATION	ADDITIONAL TREATMENT NO. 1	ADDITIONAL TREATMENT NO. 2	WELL CHEMICAL TREATMENT	WELL CHEMICAL TREATMENT SPECIAL	SONAR JET TREATMENT
WELL #5	X	X	X		
WELL #6	X	X	X		

FILE NAME =	USER NAME = milleraj	DESIGNED -	REVISED -
et:\pw\work\p\dot\milleraj\0402903\0876H40-shr-plan.dgn		DRAWN -	REVISED -
	PLOT SCALE = 100.0000' / 1" =	CHECKED -	REVISED -
	PLOT DATE = 7/2/2014	DATE -	REVISED -

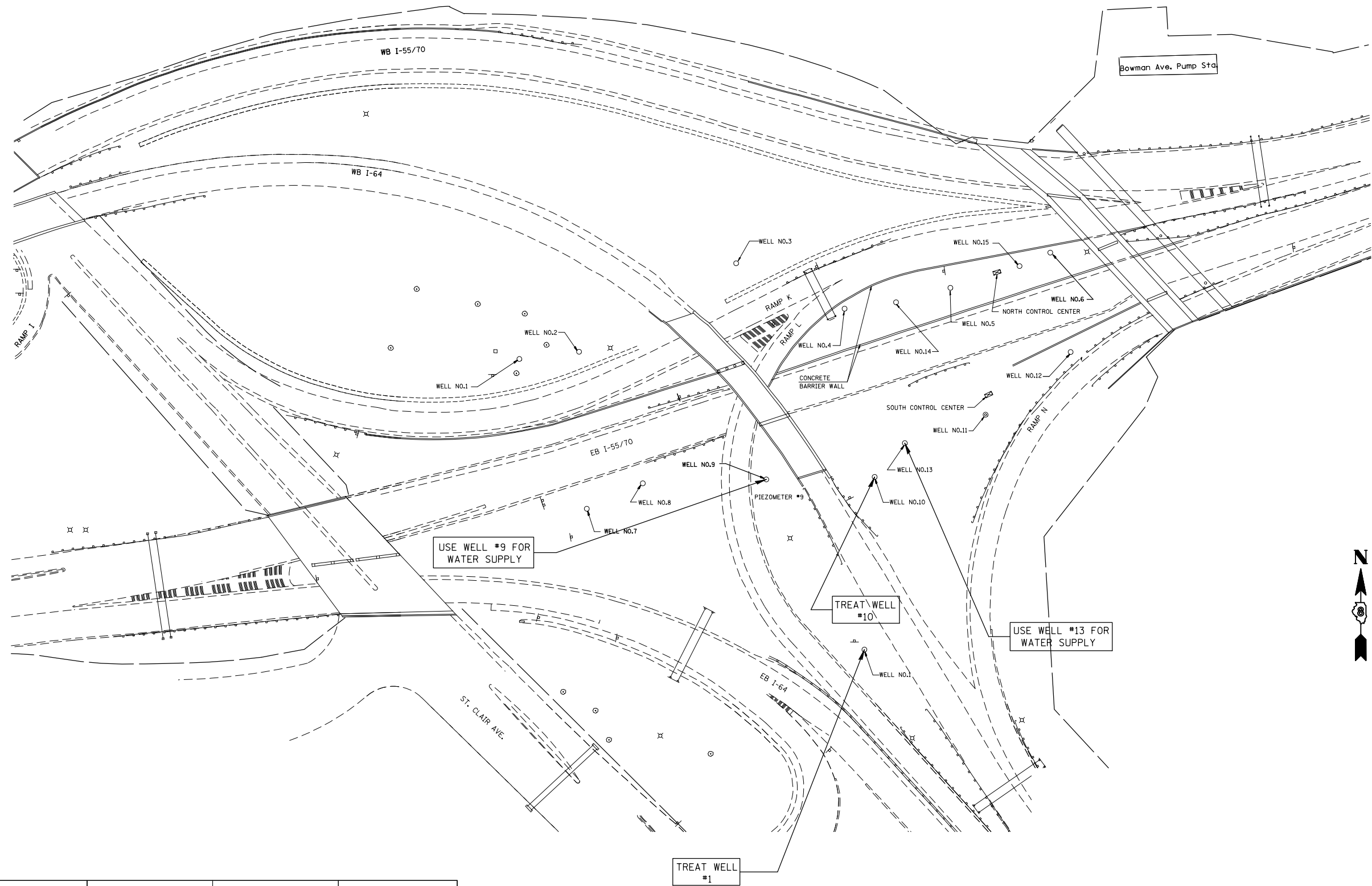
**STATE OF ILLINOIS
DEPARTMENT OF TRANSPORTATION**

LOCATION 1 SITE PLAN VENICE WELLS (IL RTE 3)

SCALE: SHEET NO. OF SHEETS STA. TO STA.

F.A.P. RTE.	SECTION	COUNTY	TOTAL SHEETS	SHEET NO.
VAR	**	***	9	4
CONTRACT NO. 76H40				
FED. ROAD DIST. NO. ILLINOIS FED. AID PROJECT				

** DIST 8 DEEP WELLS 2015-1
*** MADISON & ST. CLAIR



LOCATION	ADDITIONAL TREATMENT NO.1	ADDITIONAL TREATMENT NO. 2	WELL CHEMICAL TREATMENT	WELL CHEMICAL TREATMENT SPECIAL	SONAR JET TREATMENT
WELL #2	X	X	X		
WELL #10	X	X			X

FILE NAME =	USER NAME = milleraj	DESIGNED -	REVISED -
et:\pw\work\p\dot\milleraj\0402903\0876H40-sht-plan.dgn		DRAWN -	REVISED -
	PLOT SCALE = 100.0000' / in.	CHECKED -	REVISED -
	PLOT DATE = 7/2/2014	DATE -	REVISED -

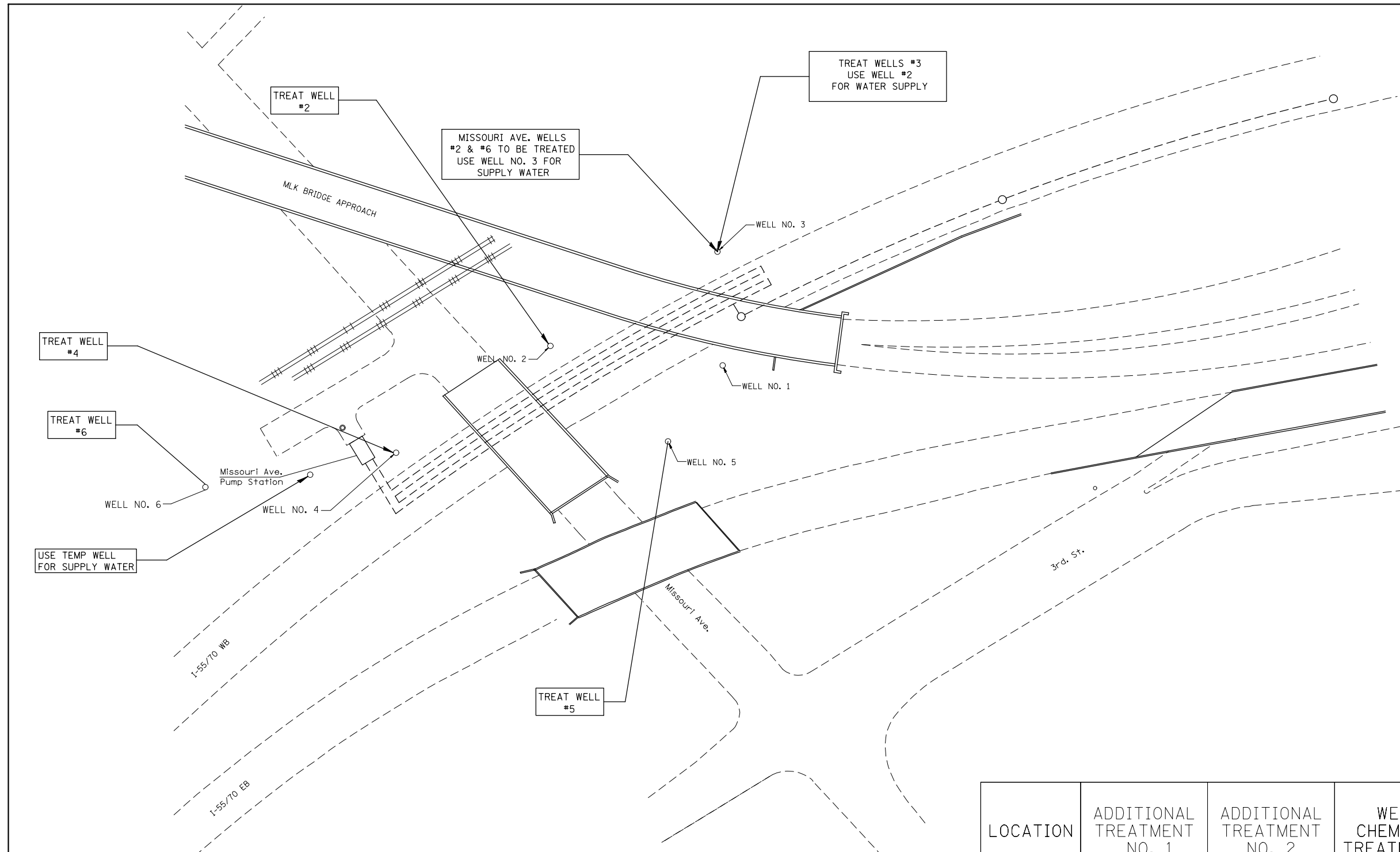
**STATE OF ILLINOIS
DEPARTMENT OF TRANSPORTATION**

LOCATION 2 SITE PLAN TRI-LEVEL WELLS

SCALE: SHEET NO. OF SHEETS STA. TO STA.

F.A.P. RTE.	SECTION	COUNTY	TOTAL SHEETS	SHEET NO.
VAR	9	5
CONTRACT NO. 76H40				
FED. ROAD DIST. NO. ILLINOIS FED. AID PROJECT				

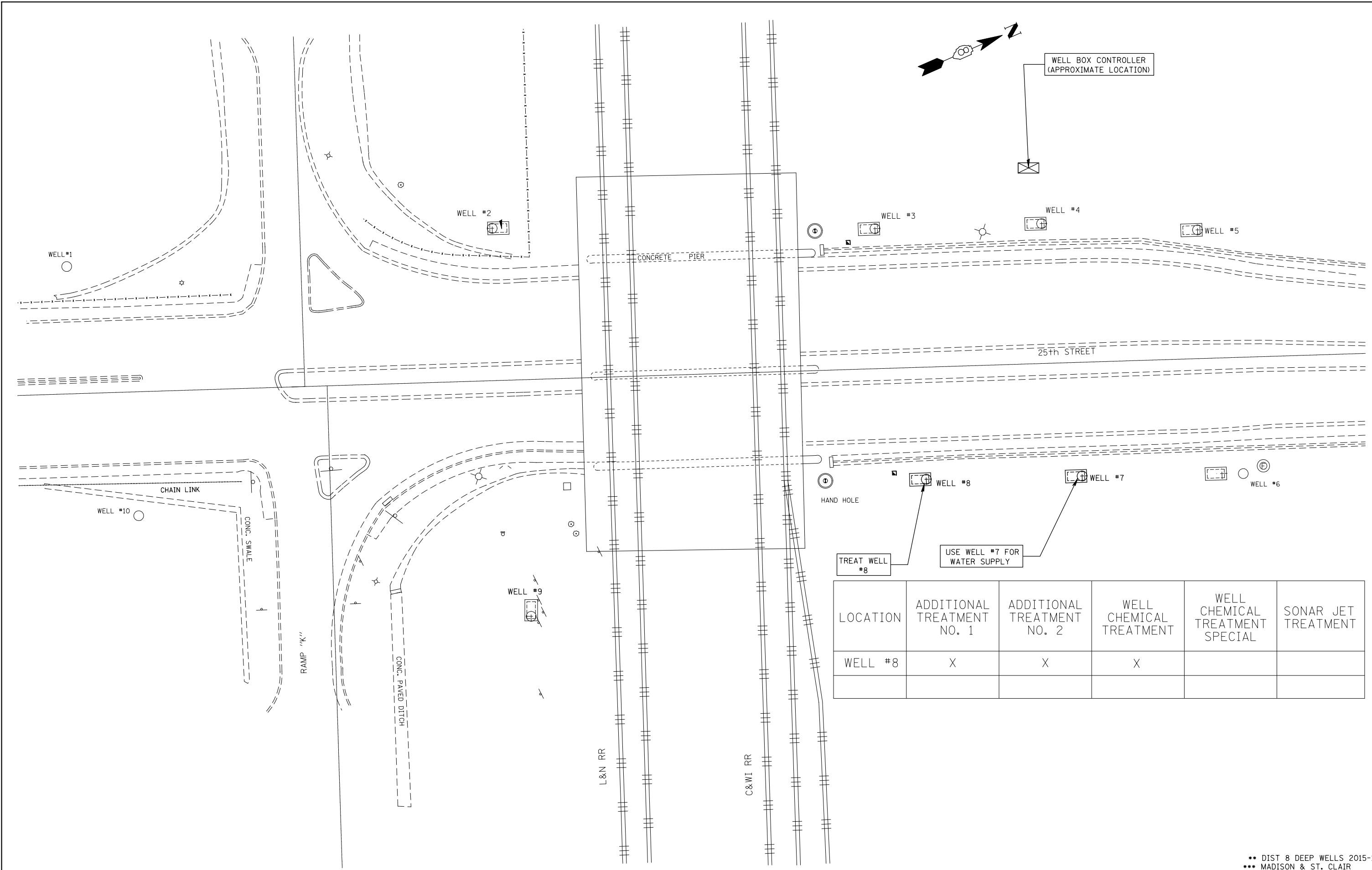
** DIST 8 DEEP WELLS 2015-1
*** MADISON & ST. CLAIR



NOTES: 1. WELL CHEMICAL TREATMENT SPECIAL,
SHALL BE USED AT MISSOURI AVE. WELL NO. 4.

LOCATION	ADDITIONAL TREATMENT NO. 1	ADDITIONAL TREATMENT NO. 2	WELL CHEMICAL TREATMENT	SONAR JET TREATMENT	WELL CHEMICAL TREATMENT SPECIAL
WELL #2	X	X	X		
WELL #3	X	X	X		
WELL #4	X	X			X
WELL #5	X	X		X	
WELL #6	X	X	X		

•• DIST 8 DEEP WELLS 2015-1
••• MADISON & ST. CLAIR



LOCATION	ADDITIONAL TREATMENT NO. 1	ADDITIONAL TREATMENT NO. 2	WELL CHEMICAL TREATMENT	WELL CHEMICAL TREATMENT SPECIAL	SONAR JET TREATMENT
WELL #8	X	X	X		

TREAT WELL #8

USE WELL #7 FOR WATER SUPPLY

FILE NAME =	USER NAME = milleraj	DESIGNED -	REVISED -
et:\pw\work\p\dot\milleraj\0402903\0876H40-shr-plan.dgn		DRAWN -	REVISED -
	PLOT SCALE = 100.0000' / 1in.	CHECKED -	REVISED -
	PLOT DATE = 7/2/2014	DATE -	REVISED -

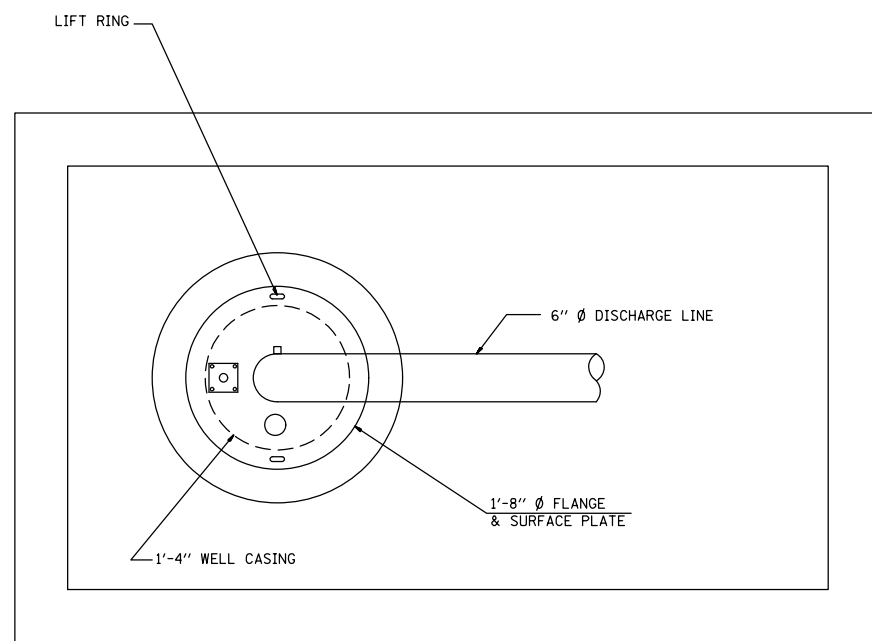
**STATE OF ILLINOIS
DEPARTMENT OF TRANSPORTATION**

LOCATION 4 SITE PLAN 25th STREET WELLS

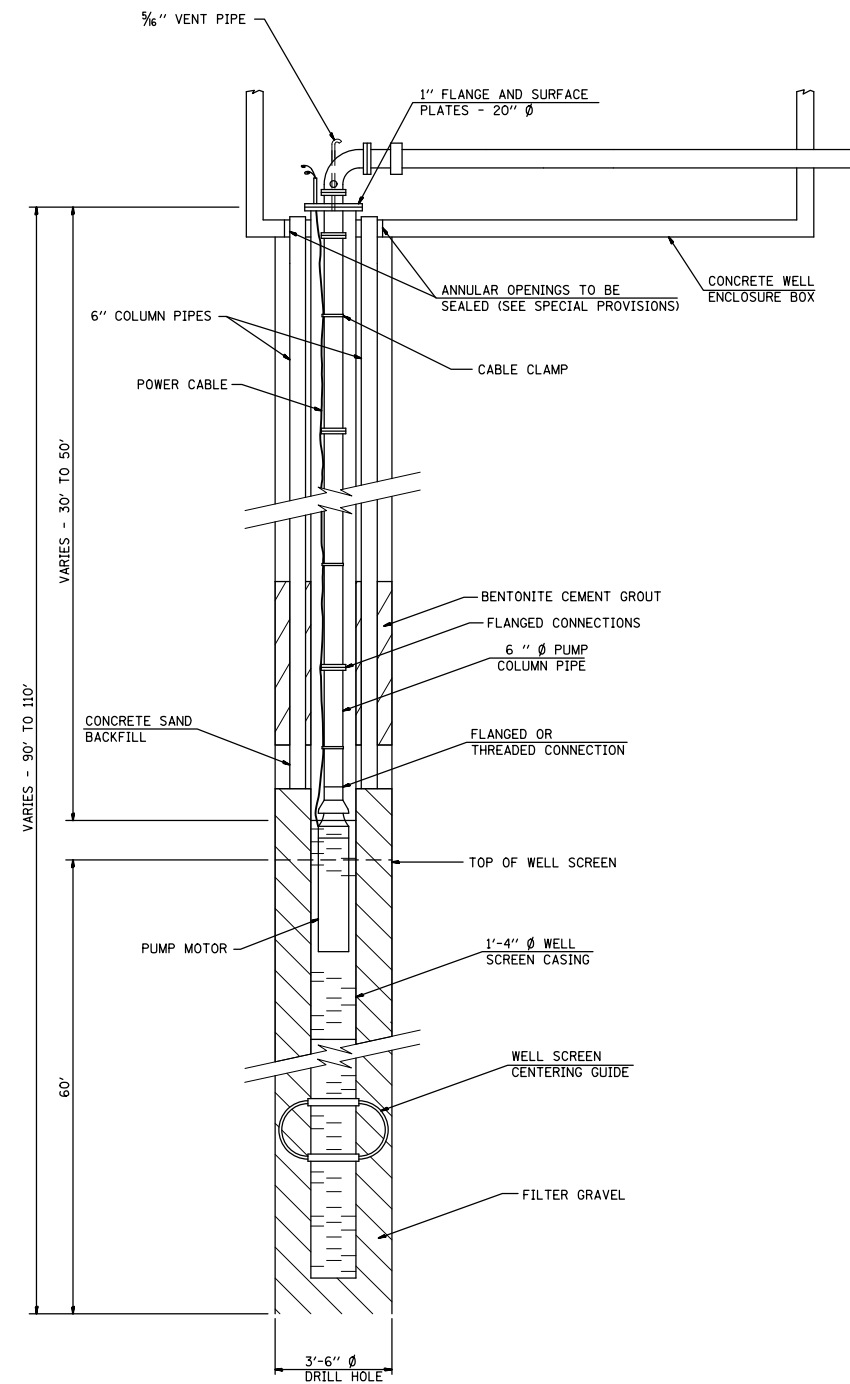
SCALE: SHEET NO. OF SHEETS STA. TO STA.

F.A.P. RTE.	SECTION	COUNTY	TOTAL SHEETS	SHEET NO.
VAR	**	...	9	7
CONTRACT NO. 76H40				
FED. ROAD DIST. NO. ILLINOIS FED. AID PROJECT				

** DIST 8 DEEP WELLS 2015-1
*** MADISON & ST. CLAIR



WELL HEAD DETAIL



EXISTING

NOT TO SCALE

•• DIST 8 DEEP WELLS 2015-1
 ••• MADISON & ST. CLAIR

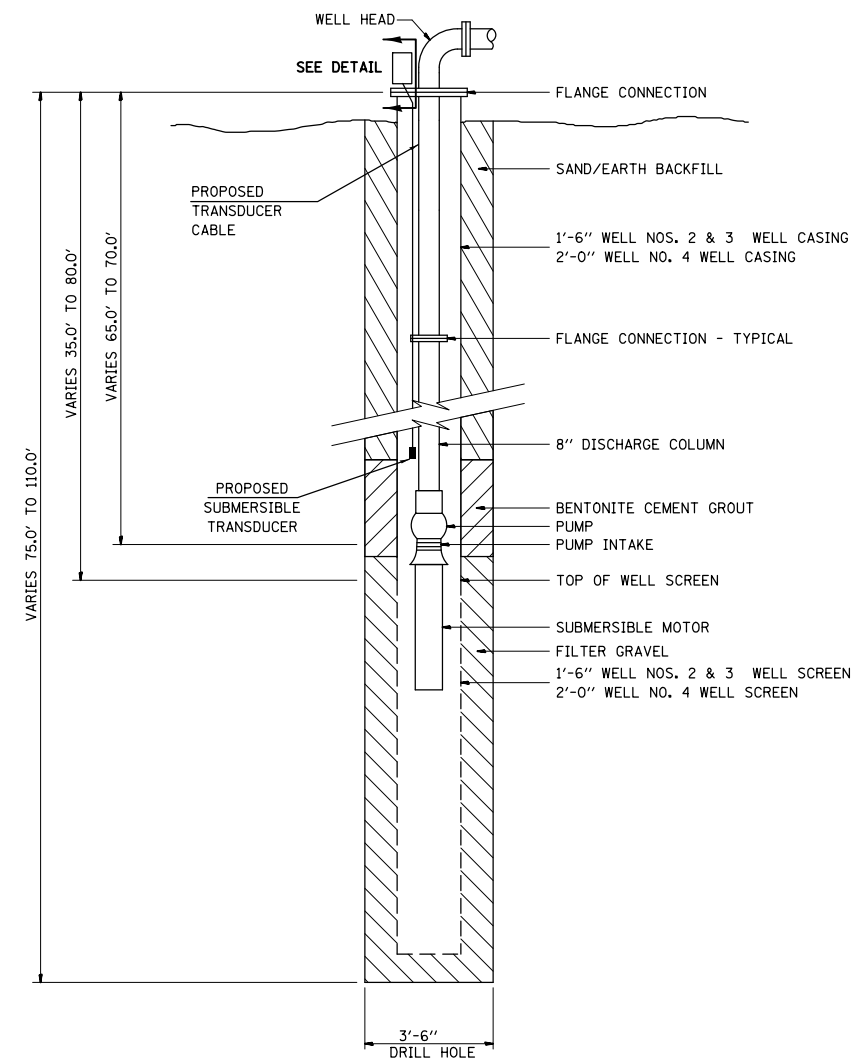
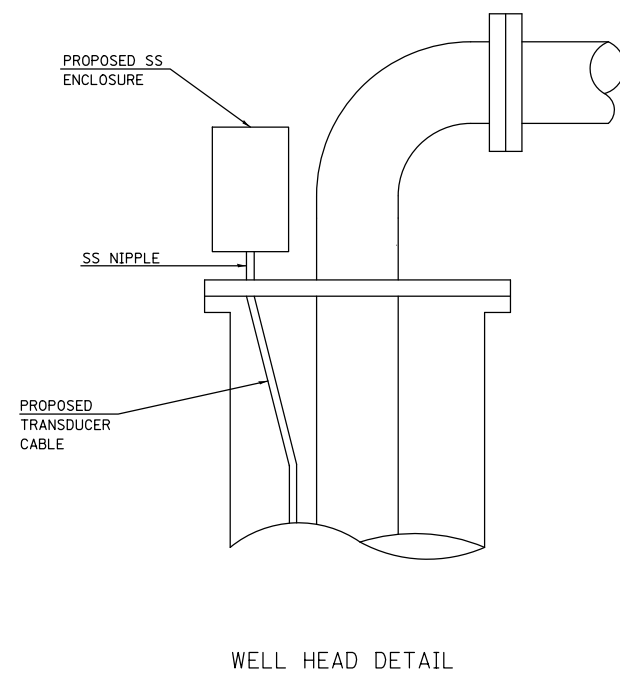
FILE NAME =	et:\pw_work\pwidot\milleraj\d0402903\d876H40-shd-plan.dgn	DESIGNED -	REVIS
USER NAME = milleraj		DRAWN -	REVIS
		CHECKED -	REVIS
		DATE -	REVIS

STATE OF ILLINOIS
 DEPARTMENT OF TRANSPORTATION

TYPICAL WELL DETAILS LOCATION 1, 2 & 4

SCALE: SHEET NO. OF SHEETS STA. TO STA.

F.A.P. RTE.	SECTION	COUNTY	TOTAL SHEETS	SHEET NO.
VAR	••	•••	9	8
FED. ROAD DIST. NO.			ILLINOIS FED. AID PROJECT	
			CONTRACT NO. 76H40	



EXISTING

NOT TO SCALE

•• DIST 8 DEEP WELLS 2015-1
 ••• MADISON & ST. CLAIR

FILE NAME =	USER NAME = milleraj	DESIGNED -	REVISED -
et:\pw\work\p\dot\milleraj\0402903\0876H40-shd-plan.dgn		DRAWN -	REVISED -
	PLOT SCALE = 100.0000' / 1in.	CHECKED -	REVISED -
	PLOT DATE = 7/2/2014	DATE -	REVISED -

STATE OF ILLINOIS
 DEPARTMENT OF TRANSPORTATION

TYPICAL WELL DETAILS LOCATION 3

SCALE: SHEET NO. OF SHEETS STA. TO STA.

F.A.P. RTE.	SECTION	COUNTY	TOTAL SHEETS	SHEET NO.
VAR	••	•••	9	9
FED. ROAD DIST. NO. ILLINOIS FED. AID PROJECT			CONTRACT NO. 76H40	