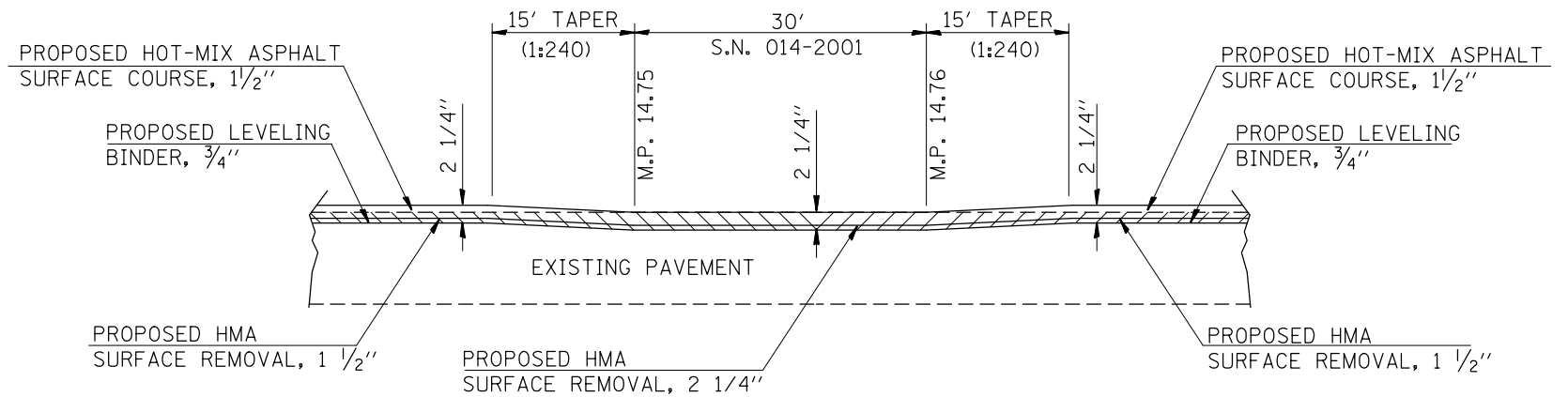
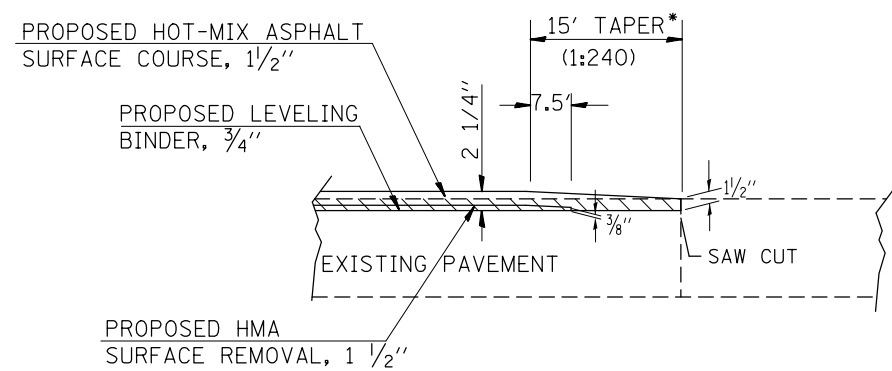


MILLING TRANSITION DETAIL
ELEVATION VIEW
M.P. 0.16

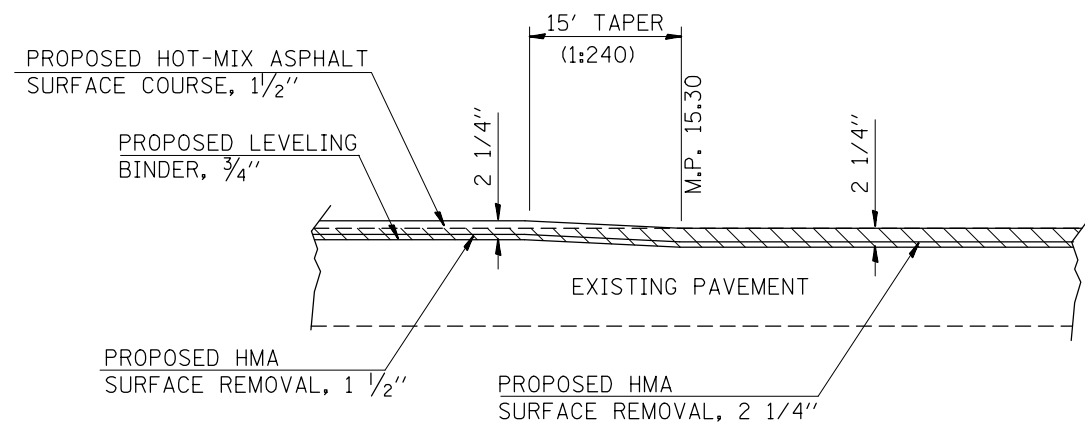


MILLING TRANSITION DETAIL
ELEVATION VIEW
S.N. 014-2001 (M.P. 14.75, M.P. 14.76)



TRANSITION DETAIL
ELEVATION VIEW

S.N. 014-0071 (M.P. 3.47, M.P. 3.65)
IL 127 (M.P. 5.16, M.P. 5.19)
S.N. 014-0024 (M.P. 6.83, M.P. 6.93)
S.N. 014-0025 (M.P. 13.80, M.P. 13.92)
S.N. 014-2001 (M.P. 14.75, M.P. 14.76)
SHATTUC ROAD



MILLING TRANSITION DETAIL
ELEVATION VIEW
M.P. 15.30

NOTE: THE TRANSITIONS FROM 1 1/2" HMA SURFACE REMOVAL TO 2 1/4" WILL BE INCLUDED IN THE PAY ITEM FOR PROPOSED HMA SURFACE REMOVAL, 2 1/4"

| | | | |
|---|------------------------------|------------|-----------|
| FILE NAME = | USER NAME = dntelmenjn | DESIGNED - | REVISED - |
| et:\pw\work\p\dot\dntelmenjn\1\0332010\0876631-shr-plan.dgn | | DRAWN - | REVISED - |
| | PLOT SCALE = 100.0000' / in. | CHECKED - | REVISED - |
| | PLOT DATE = 6/25/2014 | DATE - | REVISED - |

STATE OF ILLINOIS
DEPARTMENT OF TRANSPORTATION

RESURFACING DETAILS

SCALE: SHEET NO. OF SHEETS STA. TO STA.

| | | | | |
|---|-------------------|---------|--------------|-----------|
| F.A.P. RTE. | SECTION | COUNTY | TOTAL SHEETS | SHEET NO. |
| 805 | 3RS-1,(5,7-1)RS-3 | CLINTON | 26 | 22 |
| CONTRACT NO. 76G31 | | | | |
| FED. ROAD DIST. NO. ILLINOIS FED. AID PROJECT | | | | |