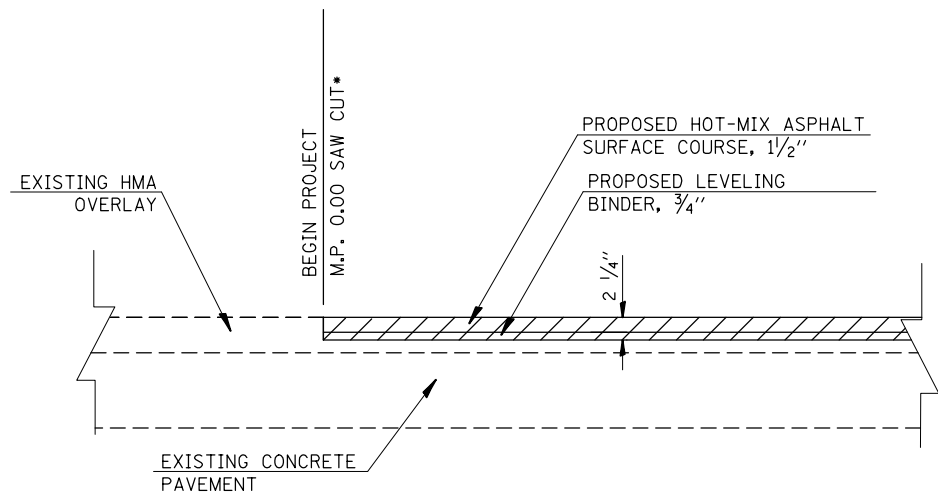
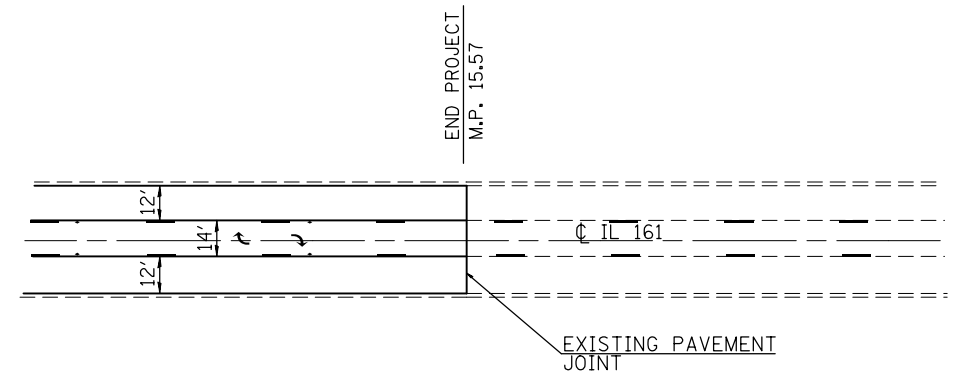


JOINT DETAIL
PLAN VIEW

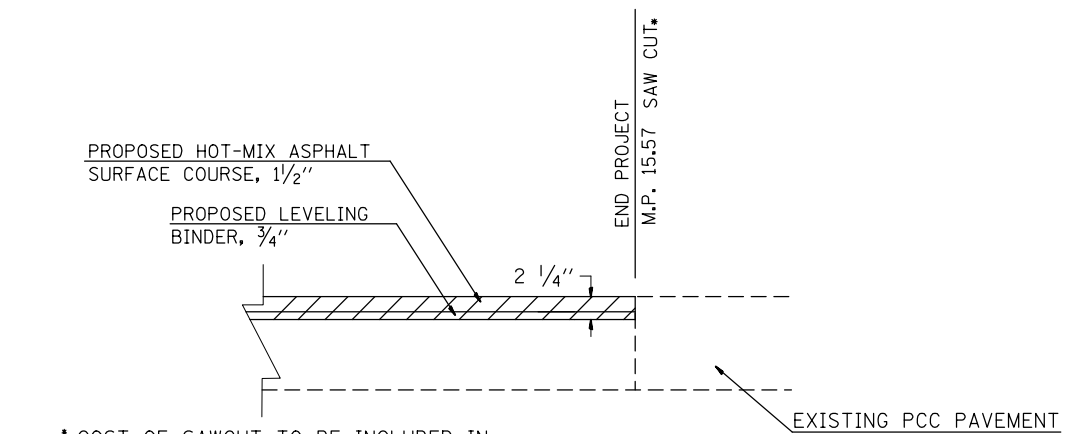


JOINT DETAIL
ELEVATION VIEW

* COST OF SAWCUT TO BE INCLUDED IN HOT-MIX ASPHALT SURFACE REMOVAL, 2 1/4"



JOINT DETAIL
PLAN VIEW



JOINT DETAIL
ELEVATION VIEW

* COST OF SAWCUT TO BE INCLUDED IN HOT-MIX ASPHALT SURFACE REMOVAL, 2 1/4"

FILE NAME =	USER NAME = dntelmenjn	DESIGNED -	REVISED -
et:\pw\work\p\dot\dntelmenjn\1\0332010\0876631-shr-plan.dgn		DRAWN -	REVISED -
	PLOT SCALE = 100.0000' / in.	CHECKED -	REVISED -
	PLOT DATE = 6/25/2014	DATE -	REVISED -

STATE OF ILLINOIS
DEPARTMENT OF TRANSPORTATION

RESURFACING DETAILS			
SCALE:	SHEET NO.	OF SHEETS	STA. TO STA.

F.A.P. RTE.	SECTION	COUNTY	TOTAL SHEETS	SHEET NO.
805	3RS-1,(5,7-1)RS-3	CLINTON	26	21
CONTRACT NO. 76G31				
FED. ROAD DIST. NO. ILLINOIS FED. AID PROJECT				