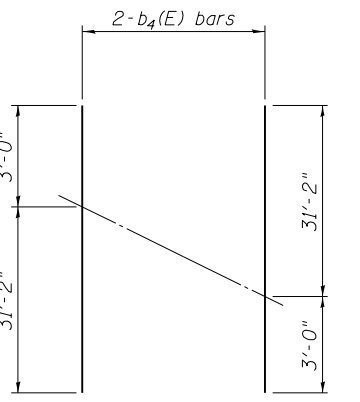
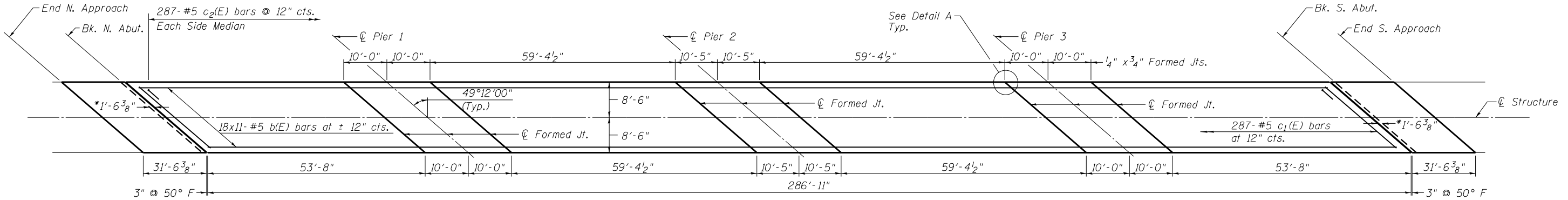


PLAN NORTH APPROACH MEDIAN

PLAN SOUTH APPROACH MEDIAN

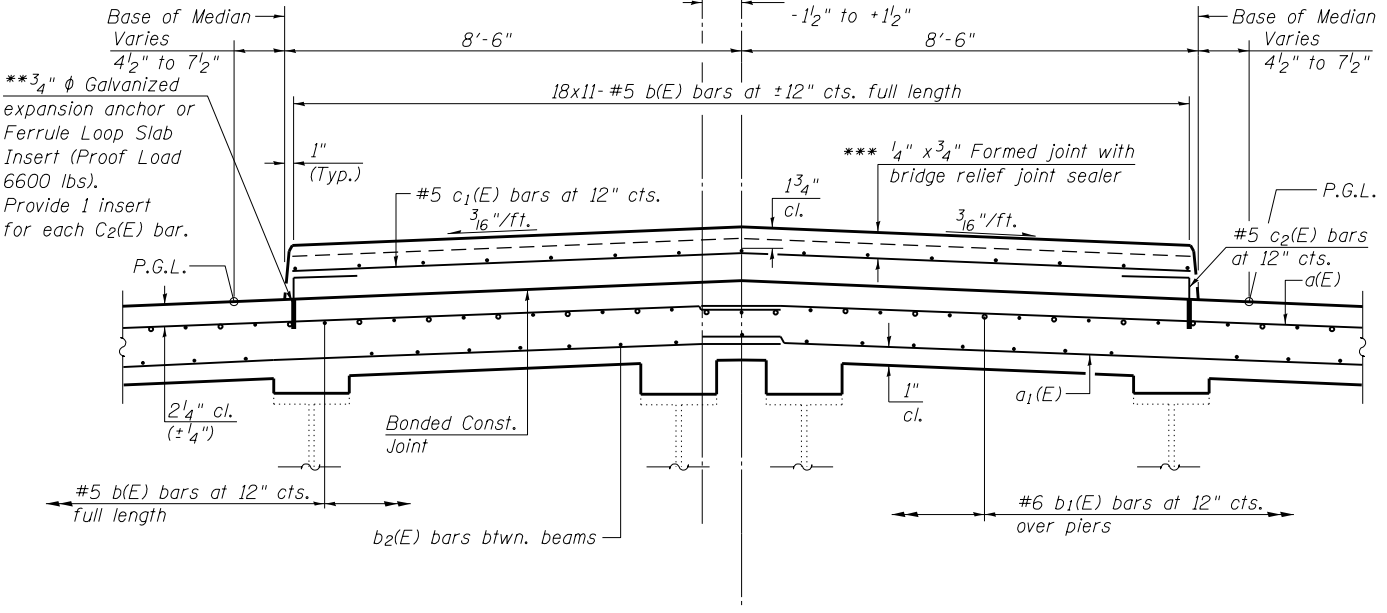


FIELD CUTTING DIAGRAM
Order $b_4(E)$ full length. Cut as shown and use remainder of bars in opposite approach slab.



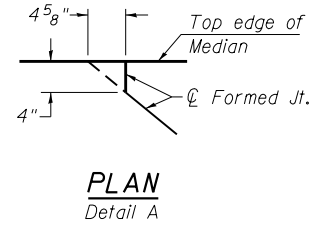
PLAN OF SUPERIMPOSED MEDIAN

**The cost of expansion anchors/inserts is included in the cost of Reinforcement Bars, Epoxy Coated.



CROSS SECTION THRU MEDIAN (Main Spans)

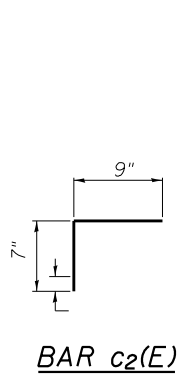
MINIMUM BAR LAP
#5 bar = 2'-7"



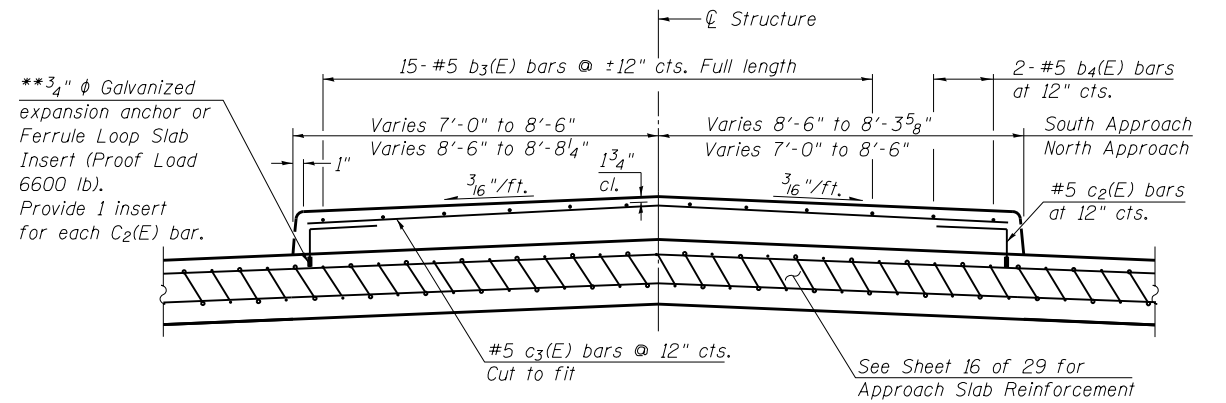
PLAN Detail A

- Notes:**
1. Bars indicated 20x3-#5 etc. indicates 20 lines of bars with 3 lengths per line.
 2. See sheet 11 of 29 for Bill of Material of Superimposed Median in Main Spans.
 3. See sheet 17 of 29 for Bill of Material of Superimposed Median in Approach Slabs.

*Pour Appr. Median over top of Abut. Backfill.



BAR $c_2(E)$



CROSS SECTION THRU MEDIAN

Bridge Approach Slab Looking North
(North Approach Slab Shown - South Approach Slab Similar)

BENTON & ASSOCIATES, INC.
QUIGG ENGINEERING, INC.

FILE NAME 0600104-76G10-012-SuperstructureDetails02.dgn	USER NAME =	DESIGNED - DRB	REVISED	STATE OF ILLINOIS DEPARTMENT OF TRANSPORTATION	SUPERSTRUCTURE DETAILS STRUCTURE NO. 060-0104	F.A.I. R.T.E. =	SECTION	COUNTY	TOTAL SHEETS	SHEET NO.
PLOT SCALE =	CHECKED - MBH	REVISOR	55			60-2HB-2	MADISON	52	30	
PLOT DATE =	DRAWN - TF	REVISOR	CONTRACT NO. 76G10							
	CHECKED - JK	REVISOR	ILLINOIS FED. AID PROJECT							