

**NORTH APPROACH PAVEMENT
EAST CURB LINE**

Location	Station	Offset from ℄ Roadway	Theoretical Grade Elevations
Bk. N. Abut.	51+80.12	30.59'	583.40'
A3	51+90.11	30.63'	583.37'
A4	52+00.11	30.67'	583.33'
End of N. Appr. Pvmt.	52+10.10	30.72'	583.29'

**NORTH APPROACH PAVEMENT
EAST LANE LINE 2**

Location	Station	Offset from ℄ Roadway	Theoretical Grade Elevations
Bk. N. Abut.	51+71.66	23.22'	583.57'
A3	51+82.04	23.59'	583.53'
A4	51+92.42	23.97'	583.49'
End of N. Appr. Pvmt.	52+02.80	24.35'	583.45'

**NORTH APPROACH PAVEMENT
EAST LANE LINE 1**

Location	Station	Offset from ℄ Roadway	Theoretical Grade Elevations
Bk. N. Abut.	51+55.50	9.16'	583.83'
A3	51+65.50	9.19'	583.80'
A4	51+75.50	9.23'	583.78'
End of N. Appr. Pvmt.	51+85.49	9.28'	583.75'

℄ STRUCTURE

Location	Station	Offset from ℄ Roadway	Theoretical Grade Elevations
Bk. N. Abut.	51+45.11	0.12'	583.98'
A3	51+55.11	0.16'	583.96'
A4	51+65.11	0.19'	583.94'
End of N. Appr. Pvmt.	51+75.11	0.23'	583.91'

℄ ROADWAY

Location	Station	Offset from ℄ Roadway	Theoretical Grade Elevations
Bk. N. Abut.	51+44.97	0.00'	583.98'
A3	51+54.93	0.00'	583.96'
A4	51+64.88	0.00'	583.94'
End of N. Appr. Pvmt.	51+74.84	0.00'	583.91'

**NORTH APPROACH PAVEMENT
WEST LANE LINE 1**

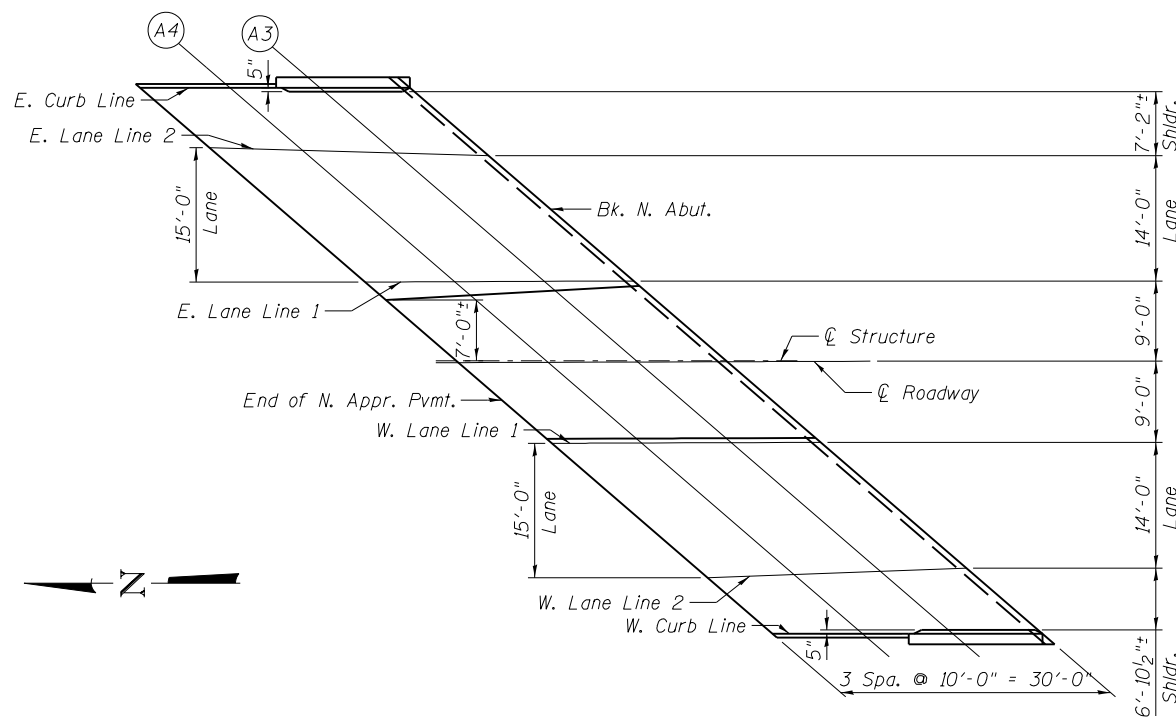
Location	Station	Offset from ℄ Roadway	Theoretical Grade Elevations
Bk. N. Abut.	51+34.71	-8.91'	583.86'
A3	51+44.71	-8.88'	583.85'
A4	51+54.71	-8.85'	583.83'
End of N. Appr. Pvmt.	51+64.71	-8.81'	583.81'

**NORTH APPROACH PAVEMENT
WEST LANE LINE 2**

Location	Station	Offset from ℄ Roadway	Theoretical Grade Elevations
Bk. N. Abut.	51+18.52	-22.96'	583.65'
A3	51+28.14	-23.27'	583.64'
A4	51+37.76	-23.57'	583.63'
End of N. Appr. Pvmt.	51+47.38	-23.87'	583.61'

**NORTH APPROACH PAVEMENT
WEST CURB LINE**

Location	Station	Offset from ℄ Roadway	Theoretical Grade Elevations
Bk. N. Abut.	51+10.05	-30.32'	583.51'
A3	51+20.05	-30.29'	583.51'
A4	51+30.06	-30.26'	583.50'
End of N. Appr. Pvmt.	51+40.06	-30.23'	583.49'



PLAN

SN 060-0104

E-AS 7-1-10
BENTON & ASSOCIATES, INC.
 QUIGG ENGINEERING INC

FILE NAME	USER NAME =	DESIGNED - MBH	REVISED -
0600104-76G10-009-Elev7.dgn		CHECKED - DRB	REVISED -
	PLOT SCALE =	DRAWN - MBH	REVISED -
	PLOT DATE =	CHECKED - RHB	REVISED -

**STATE OF ILLINOIS
DEPARTMENT OF TRANSPORTATION**

**TOP OF NORTH APPROACH SLAB ELEVATIONS
STRUCTURE NO. 060-0104**

SHEET NO. 9 OF 29 SHEETS

F.A.I. RTE.	SECTION	COUNTY	TOTAL SHEETS	SHEET NO.
55	60-2HB-2	MADISON	52	27
CONTRACT NO. 76G10				
FED. ROAD DIST. NO. 8 ILLINOIS FED. AID PROJECT				