

**SOUTH APPROACH PAVEMENT
EAST CURB LINE**

Location	Station	Offset from ☉ Roadway	Theoretical Grade Elevations
End of S. Appr. Pvmt.	48+59.85	30.44'	582.20'
A1	48+69.84	30.41'	582.30'
A2	48+79.83	30.38'	582.40'
Bk. S. Abut.	48+89.82	30.35'	582.50'

**SOUTH APPROACH PAVEMENT
EAST LANE LINE 2**

Location	Station	Offset from ☉ Roadway	Theoretical Grade Elevations
End of S. Appr. Pvmt.	48+52.49	24.13'	582.25'
A1	48+62.10	23.76'	582.36'
A2	48+71.71	23.40'	582.46'
Bk. S. Abut.	48+81.31	23.04'	582.56'

**SOUTH APPROACH PAVEMENT
EAST LANE LINE 1**

Location	Station	Offset from ☉ Roadway	Theoretical Grade Elevations
End of S. Appr. Pvmt.	48+35.07	9.19'	582.29'
A1	48+45.06	9.15'	582.40'
A2	48+55.06	9.12'	582.51'
Bk. S. Abut.	48+65.06	9.09'	582.62'

☉ STRUCTURE

Location	Station	Offset from ☉ Roadway	Theoretical Grade Elevations
End of S. Appr. Pvmt.	48+24.61	0.23'	582.30'
A1	48+34.61	0.19'	582.42'
A2	48+44.61	0.16'	582.53'
Bk. S. Abut.	48+54.61	0.12'	582.64'

☉ ROADWAY

Location	Station	Offset from ☉ Roadway	Theoretical Grade Elevations
End of S. Appr. Pvmt.	48+24.34	0.00'	582.30'
A1	48+34.38	0.00'	582.42'
A2	48+44.43	0.00'	582.53'
Bk. S. Abut.	48+54.47	0.00'	582.64'

**SOUTH APPROACH PAVEMENT
WEST LANE LINE 1**

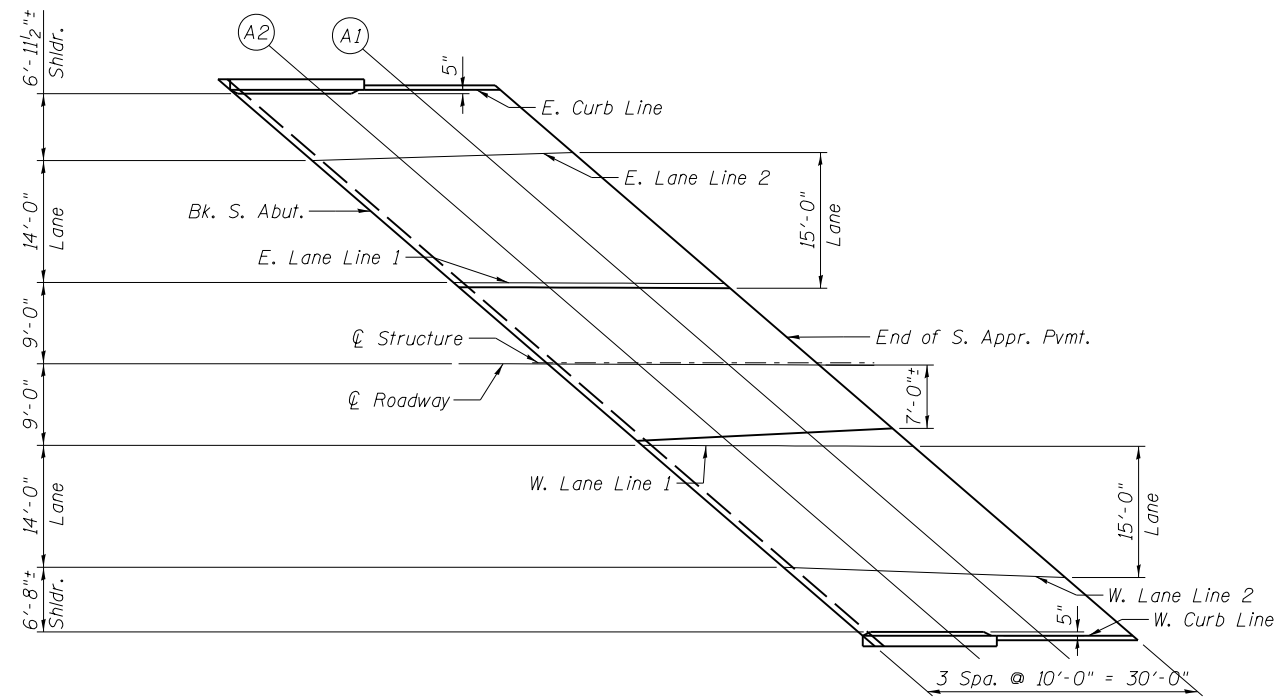
Location	Station	Offset from ☉ Roadway	Theoretical Grade Elevations
End of S. Appr. Pvmt.	48+14.14	-8.72'	582.04'
A1	48+24.14	-8.77'	582.16'
A2	48+34.14	-8.81'	582.28'
Bk. S. Abut.	48+44.15	-8.84'	582.39'

**SOUTH APPROACH PAVEMENT
WEST LANE LINE 2**

Location	Station	Offset from ☉ Roadway	Theoretical Grade Elevations
End of S. Appr. Pvmt.	47+96.69	-23.64'	581.58'
A1	48+07.08	-23.36'	581.72'
A2	48+17.48	-23.07'	581.85'
Bk. S. Abut.	48+28.87	-22.78'	581.99'

**SOUTH APPROACH PAVEMENT
WEST CURB LINE**

Location	Station	Offset from ☉ Roadway	Theoretical Grade Elevations
End of S. Appr. Pvmt.	47+89.32	-29.94'	581.35'
A1	47+99.32	-29.99'	581.49'
A2	48+09.33	-30.04'	581.62'
Bk. S. Abut.	48+19.34	-30.08'	581.74'



PLAN

SN 060-0104

E-AS
BENTON & ASSOCIATES, INC.
QUIGG ENGINEERING INC

7-1-10

FILE NAME	USER NAME =	DESIGNED - MBH	REVISED -
0600104-76G10-008-Elev6.dgn		CHECKED - DRB	REVISED -
	PLOT SCALE =	DRAWN - MBH	REVISED -
	PLOT DATE =	CHECKED - RHB	REVISED -

**STATE OF ILLINOIS
DEPARTMENT OF TRANSPORTATION**

**TOP OF SOUTH APPROACH SLAB ELEVATIONS
STRUCTURE NO. 060-0104**

SHEET NO. 8 OF 29 SHEETS

F.A.I. RTE.	SECTION	COUNTY	TOTAL SHEETS	SHEET NO.
55	60-2HB-2	MADISON	52	26
CONTRACT NO. 76G10				
FED. ROAD DIST. NO. 8 ILLINOIS FED. AID PROJECT				