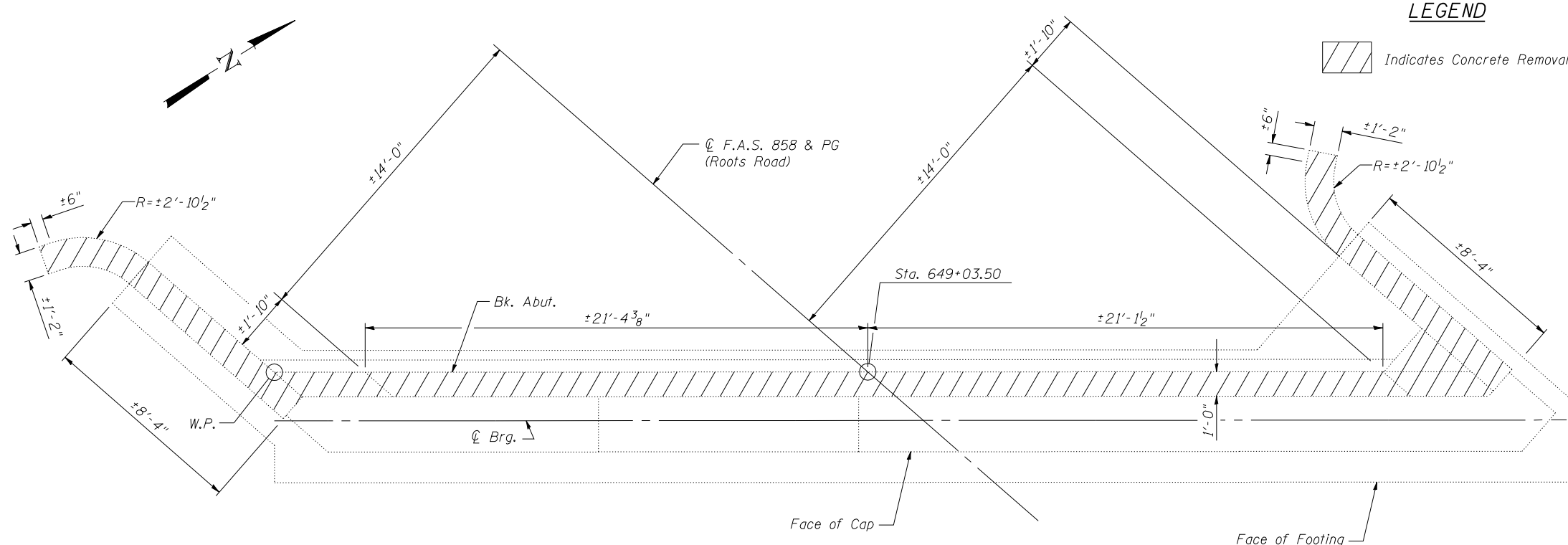
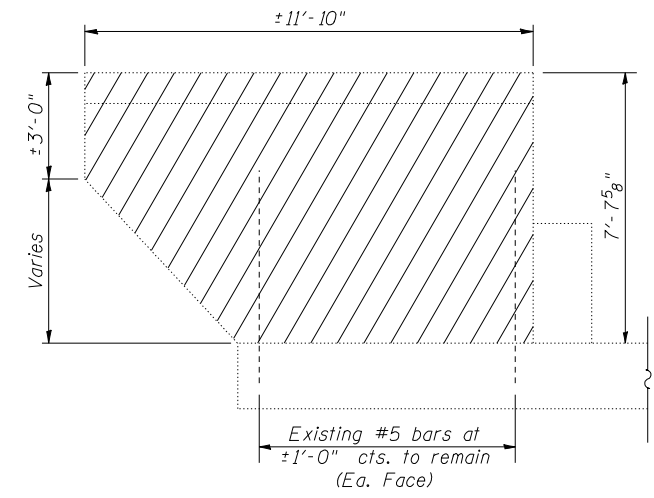


ELEVATION
(W. Abut Looking West)

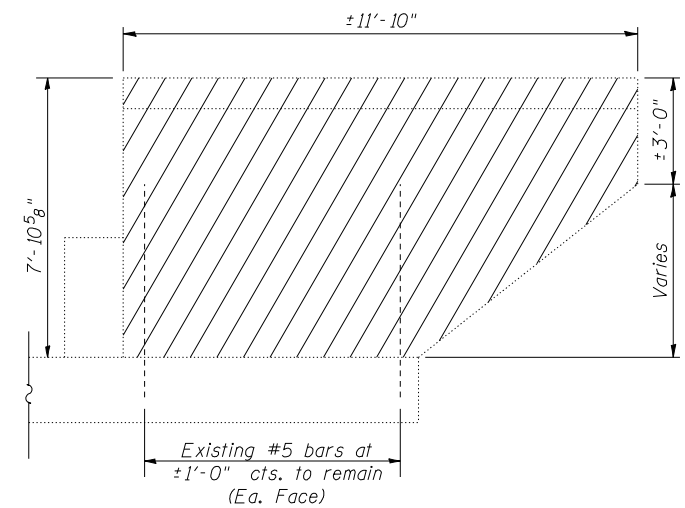


PLAN

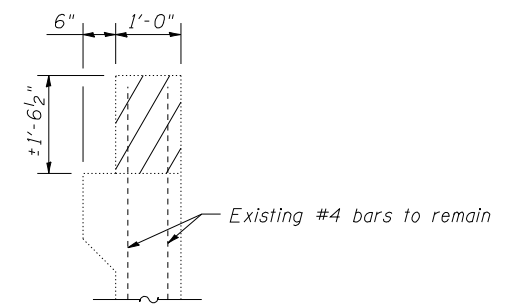
LEGEND
 Indicates Concrete Removal



SOUTH WING WALL



NORTH WING WALL



SECTION A-A

BILL OF MATERIAL

| Item | Unit | Total |
|------------------|---------|-------|
| Concrete Removal | Cu. Yd. | 9.2 |

Notes:
 Existing reinforcement at the abutments shall be cleaned and incorporated into the new construction. Cost included with Concrete Removal.
 Any reinforcement bars that are damaged during concrete removal operations shall be repaired or replaced using an approved bar splicer or anchorage system. Cost included in Concrete Removal.