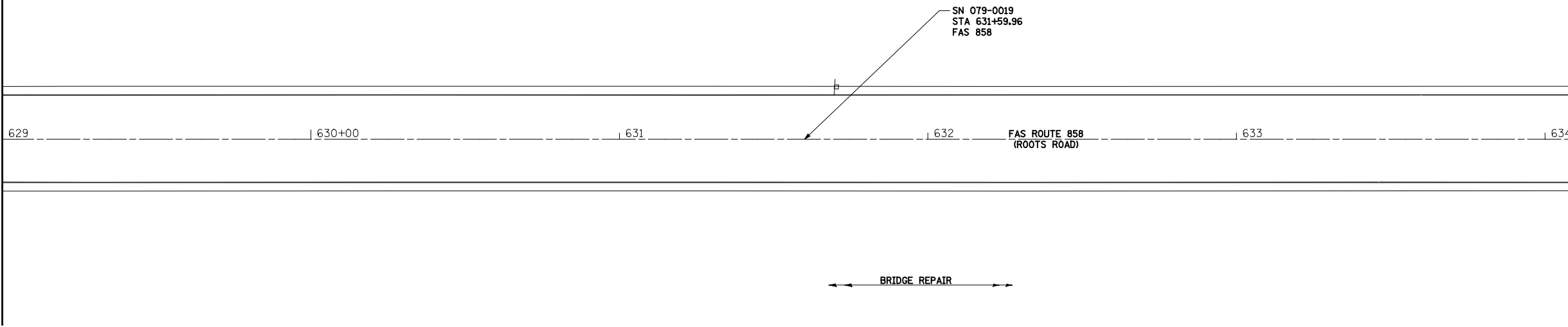




PLAN	SURVEYED EXISTING	BY	DATE
	PLOTTED		
	NOTE BOOK		
	NO.		
	CHECKED		
	AT		
	CADD FILE NAME		

MATCH LINE STA 629+00.00

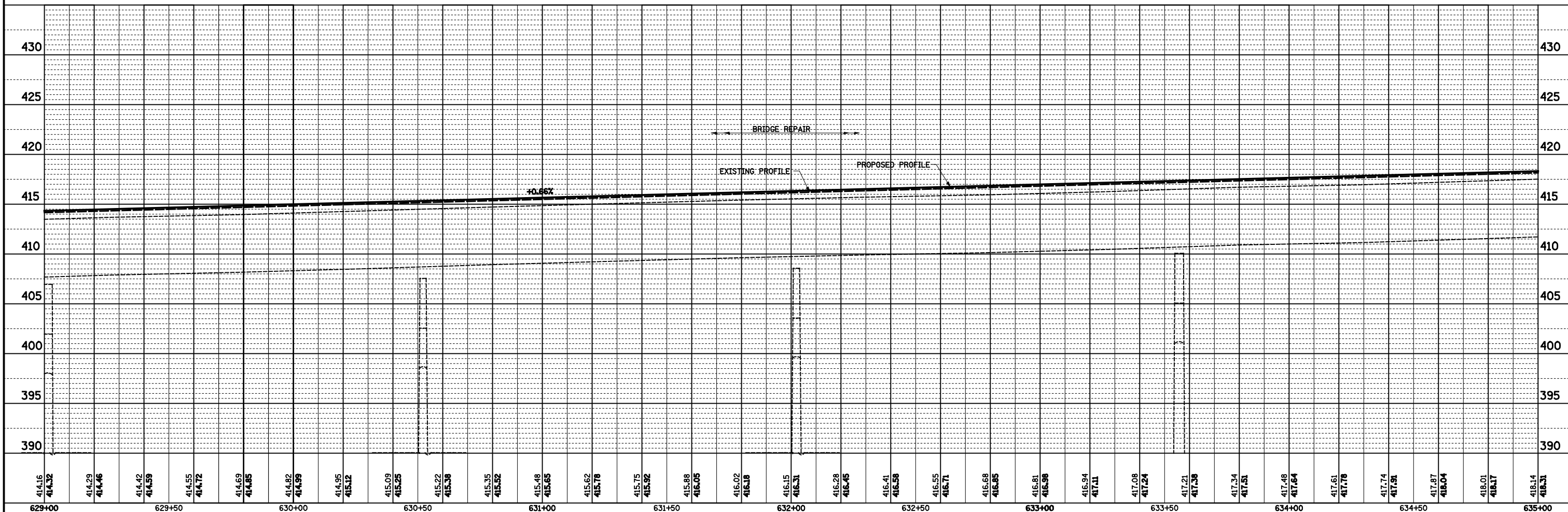
MATCH LINE STA 635+00.00



NOTE:
SEE GUARDRAIL DETAIL SHEETS FOR EXISTING AND PROPOSED GUARDRAIL.
FOR RIGHT OF WAY INFORMATION SEE RIGHT OF WAY PLAN SHEETS



PROFILE	SURVEYED EXISTING	BY	DATE
	PLOTTED		
	GRADES CHECKED		
	NOTE BOOK		
	NO.		
	STRUCTURE		
	NOT AT THIS OFFICE		



FILE NAME =	USER NAME = Paul	DESIGNED - JWS	REVISED -	STATE OF ILLINOIS DEPARTMENT OF TRANSPORTATION	PLAN AND PROFILE	F.A.S. RTE. 858	SECTION 12VB-II	COUNTY RANDOLPH	TOTAL SHEETS 72	SHEET NO. 11		
SA\Projects\409-0028-DHY Route Rd Final\plans\dgn\CADD	Sheet\0876409-shr-plan-profile.dgn	DRAWN - PDB	REVISED -			SCALE: 1"=20'	SHEET NO. 3 OF 6 SHEETS	STA. 629+00.00 TO STA. 635+00.00	CONTRACT NO. 76409			
	PLOT SCALE = 40.0000' / IN.	CHECKED - BRM	REVISED -			FED. ROAD DIST. NO. ILLINOIS FED. AID PROJECT						
	PLOT DATE = 12/20/2011	DATE - 3-23-11	REVISED -									