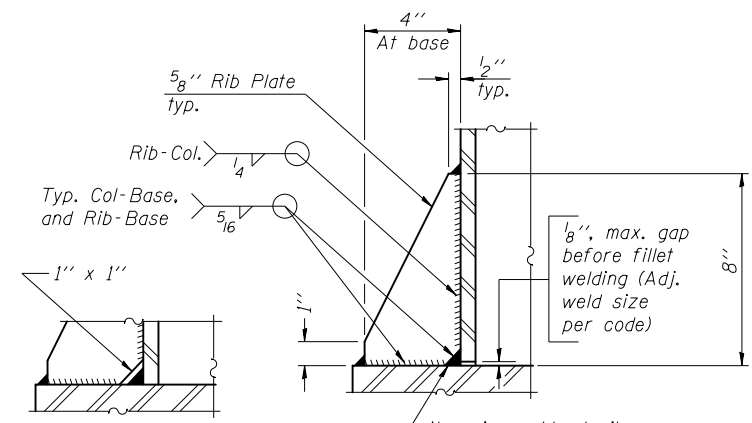
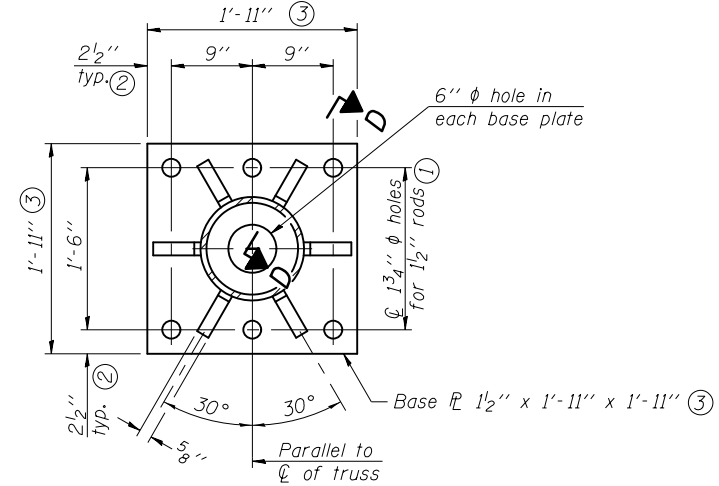
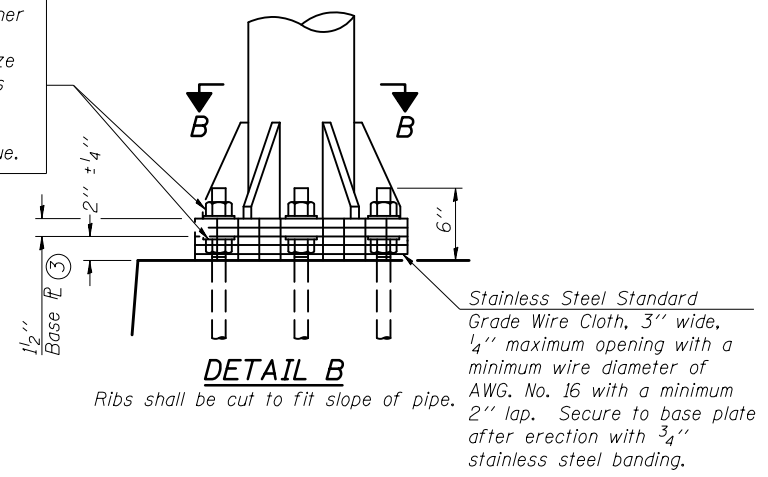
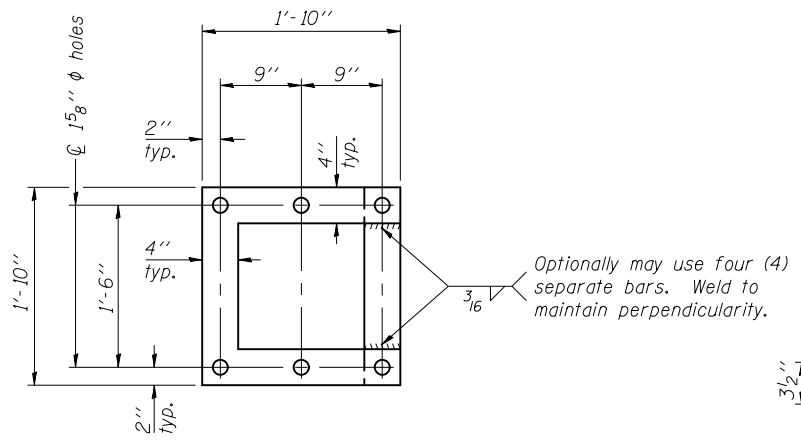


Hexagon locknut and washer (top), leveling nut and washer (bottom). Galvanize per AASHTO M232. Nuts shall each be tightened against base plate with 200 lb.-ft. minimum torque.



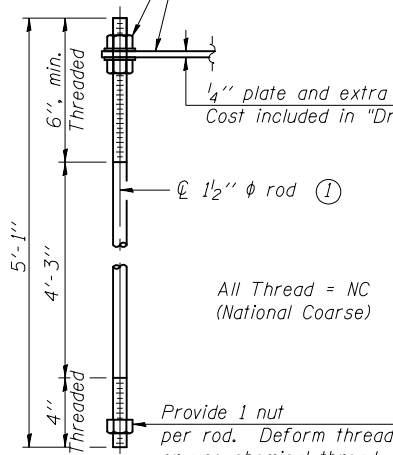
** Alternate detail if welding col. to base plate first, then snip inside corner of ribs. Terminate weld on rib 1/4" from snip.

SECTION D-D



At each location, provide 1/4" thick positioning plate(s) and six (6) additional nuts to be used with leveling nuts to maintain anchor bolts position during concrete placement.

1/4" plate and extra nuts become Contractor's property. Cost included in "Drilled Shaft Concrete Foundation".



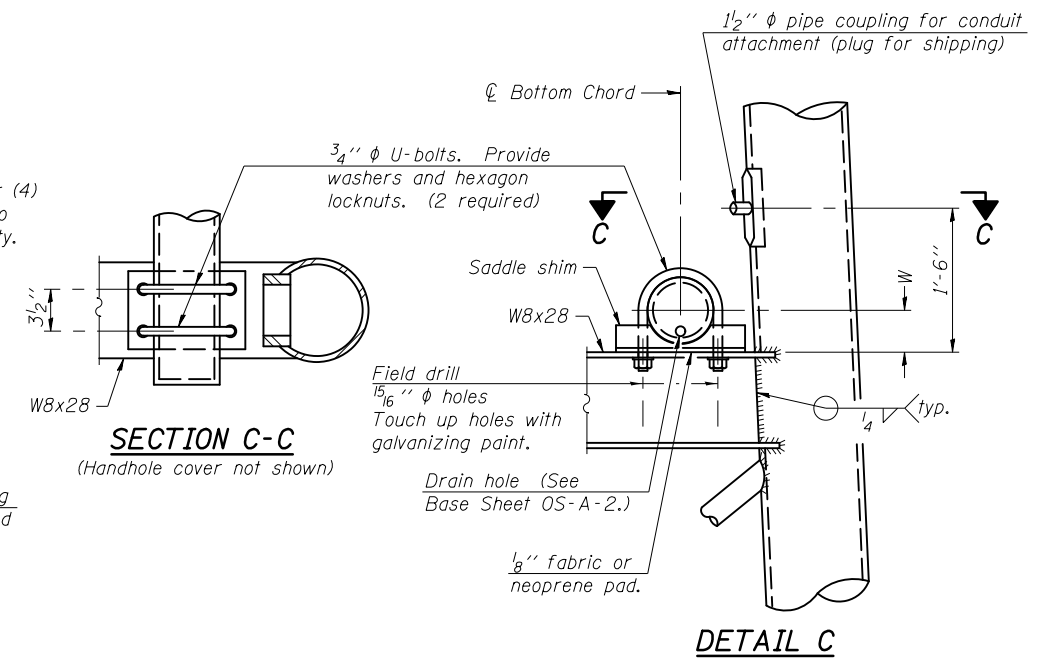
ANCHOR ROD DETAIL

Anchor rods shall conform to ASTM F1554 Grade 105 Galvanize upper 12" minimum per AASHTO M232. No welding shall be permitted on rods.

**TYPE III-A TRUSS
12" ϕ PIPE SUPPORT FRAME DETAILS**

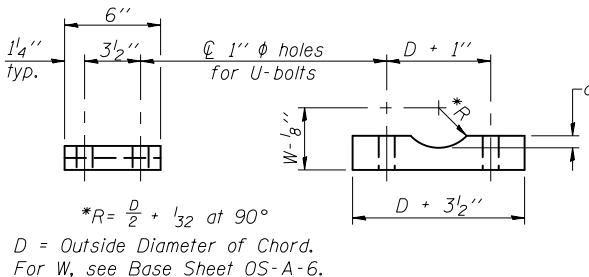
Notes:
For Type III-A Truss spans greater than 150 ft, and up to 160 ft.:

- ① 1 3/4" ϕ rod, 2" ϕ holes
- ② 2 3/4" edge distance
- ③ Base Pl 1 5/8" x 1 11 1/2" x 1 11 1/2"



Truss Chord Nominal Dia.	a
7"	1"
8 1/2"	1 1/4"
9"	1 3/8"

SADDLE SHIM DETAIL
ASTM B26 Alloy 356-F
or
ASTM B209 Alloy 6061-T651
(4 required per sign truss)



OS4-A-8aA

6-1-12

FILE NAME =	USER NAME = ceerlockjd	DESIGNED -	REVISED -
c:\pwwork\pwwork\ceerlockjd\0340463\	Z camera plans.dgn	DRAWN -	REVISED -
	PLOT SCALE = 40.0000' / in.	CHECKED -	REVISED -
MODELNAME	PLOT DATE = 6/26/2014	DATE -	REVISED -

STATE OF ILLINOIS
DEPARTMENT OF TRANSPORTATION

OVERHEAD SIGN STRUCTURES
SUPPORT FRAME FOR TYPE III-A ALUMINUM TRUSS

SCALE: SHEET OF SHEETS STA. TO STA.

F.A.P. RTE.	SECTION	COUNTY	TOTAL SHEETS	SHEET NO.
VAR.	FY2014 ITS-1	CHAMPAIGN	71	27
			CONTRACT NO. 70A26	
ILLINOIS FED. AID PROJECT				