

\* Center of horizontal to center of splice dimension may vary. Verify before drilling holes in mounting tube.

**PLAN DETAIL "A"**  
 ☐ Span between Panel Points

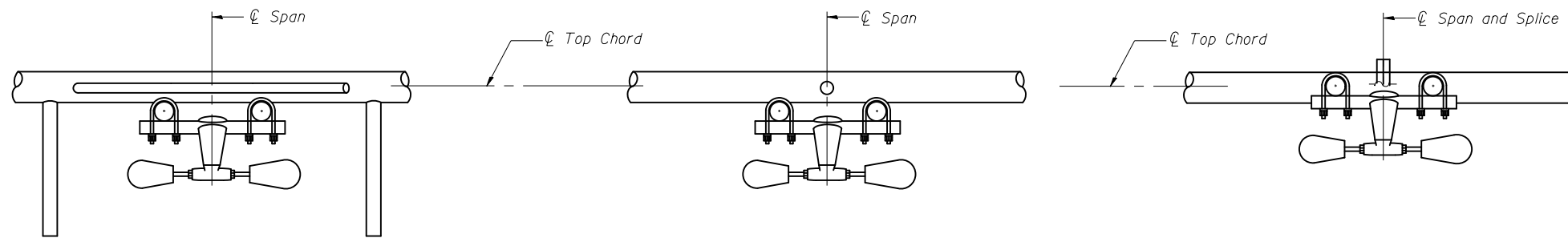
**PLAN DETAIL "B"**  
 ☐ Span at Panel Point

**PLAN DETAIL "C"**  
 ☐ Span at ☐ Chord Splice

**NOTES**

Damper: One damper per truss. (31 lbs. minimum Stockbridge-Type Aluminum - 29" minimum between ends of weights) Cost included in Overhead Sign Structure...

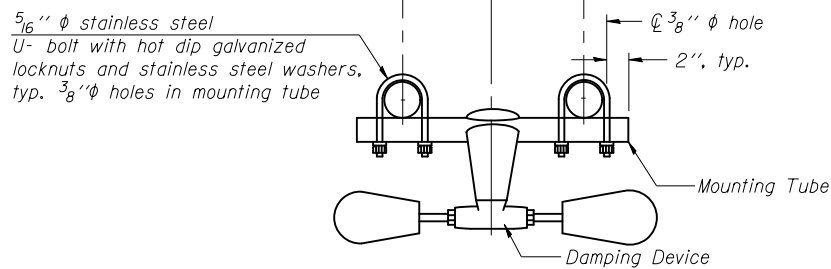
Materials: Materials: Aluminum tubes shall be ASTM B221 alloy 6061 temper T6. Cost included in Overhead Sign Structure...



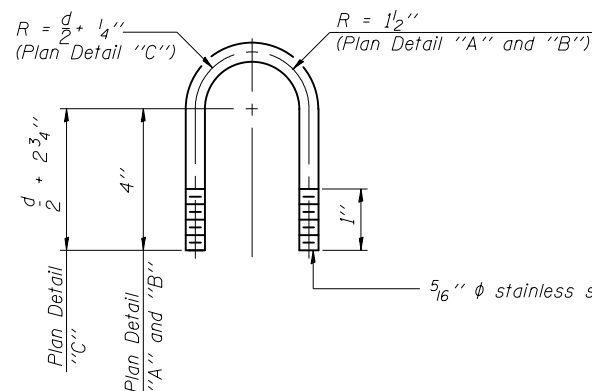
**SECTION A-A**

**SECTION B-B**

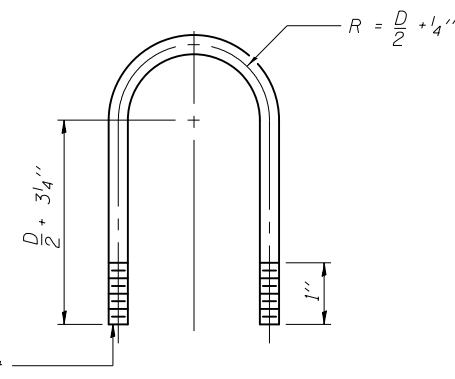
**SECTION C-C**



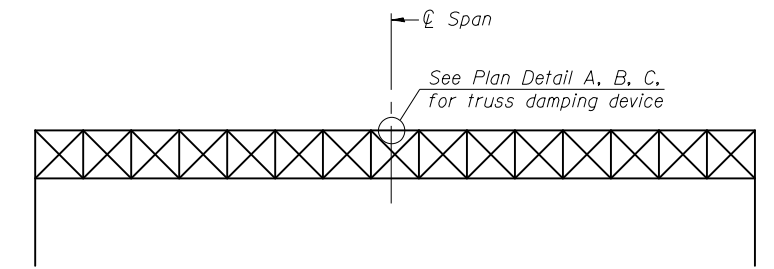
**TRUSS DAMPING DEVICE CONNECTION DETAIL**  
 (Typical)



**DAMPING DEVICE MOUNTING TUBE U-BOLT DETAIL**  
 (Typical)



**TOP CHORD TO CROSS TUBE U-BOLT DETAIL**  
 (Typical - Detail "A" and "B")



**ELEVATION**  
 Aluminum Overhead Sign Truss

OS-A-D

6-1-12

FILE NAME =	USER NAME = cealockjd	DESIGNED -	REVISED -	<b>STATE OF ILLINOIS DEPARTMENT OF TRANSPORTATION</b>	<b>OVERHEAD SIGN STRUCTURE DAMPING DEVICE</b>				F.A.P. RTE.	SECTION	COUNTY	TOTAL SHEETS	SHEET NO.
ei:\pwwork\pwwork\cealockjd\0340463\p	Z camera plans.dgn	DRAWN -	REVISED -						VAR.	FY2014 ITS-1	CHAMPAIGN	71	25
*MODELNAME*	PLOT SCALE = 40.0000' / in.	CHECKED -	REVISED -		SCALE:	SHEET	OF	SHEETS	STA.	TO	STA.	CONTRACT NO. 70A26	
	PLOT DATE = 6/26/2014	DATE -	REVISED -									ILLINOIS FED. AID PROJECT	