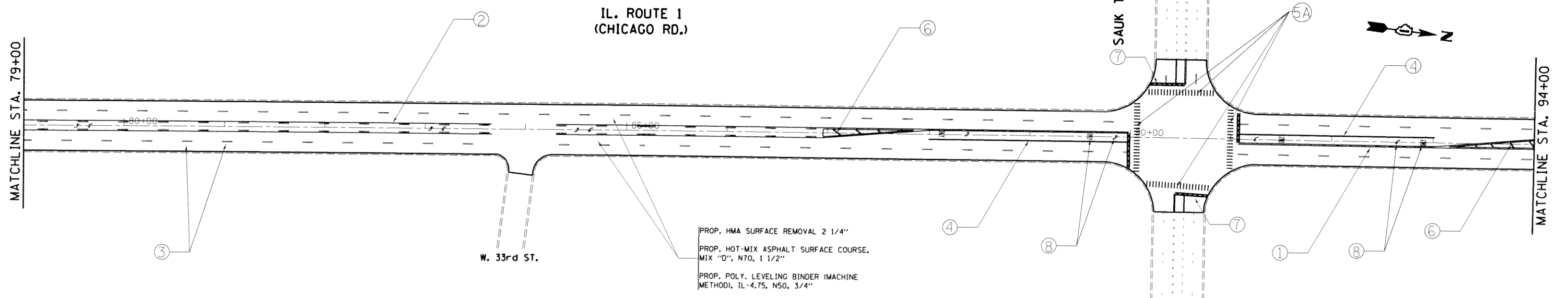


PAVEMENT MARKING LEGEND

- ① THPL PAVT MK, 4" DOUBLE YELLOW LINE, 11" C-C (TYP.)
- ② THPL PAVT MK, 4" YELLOW LINE (TYP.)
- ③ THPL PAVT MK, 4" SKIP DASH LINE (30' SKIP 10' DASH) (TYP.)
- ④ THPL PAVT MK, 6" WHITE LINE (TYP.)
- ④A THPL PAVT MK, 6" DOTTED LINE (TYP.)
- ⑤ THPL PAVT MK, 6" CROSSWALK (TYP.)
- ⑤A THPL PAVT MK, 12" SCHOOL CROSSWALK (TYP.)
- ⑥ THPL PAVT MK, 12" YELLOW DIAGONAL LINE (TYP.)
- ⑦ THPL PAVT MK, 24" WHITE STOP BAR (TYP.)
- ⑧ THPL PAVT MK, LETTERS & SYMBOLS (TYP.)



FILE NAME =	USER NAME = galbanjr	DESIGNED -	REVISED -	STATE OF ILLINOIS DEPARTMENT OF TRANSPORTATION	ROADWAY AND PAVEMENT MARKING PLAN IL. ROUTE 1/CHICAGO RD. (JOE ORR RD. TO UNION AVE.)	F.A.U. RTE. 2860	SECTION (161Y-1&H) RS-4	COUNTY WILL/COOK	TOTAL SHEETS 34	SHEET NO. 9		
CONTRACT NO. 60X03	SCALE: 1"=50'	SHEET	OF			SHEETS	STA.	TO	STA.	ILLINOIS FED. AID PROJECT		
		DATE										