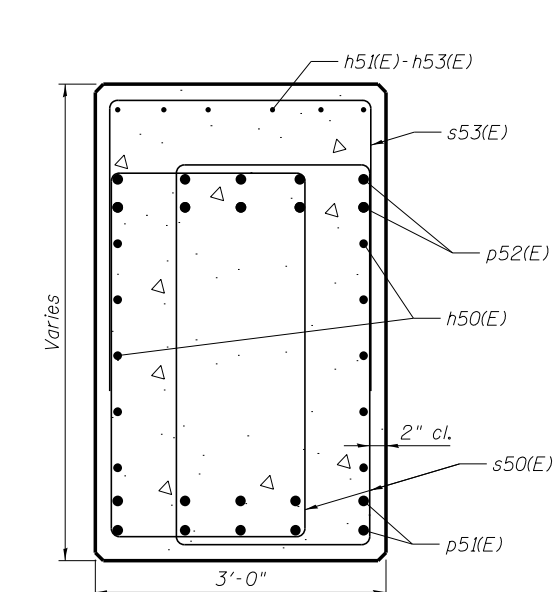
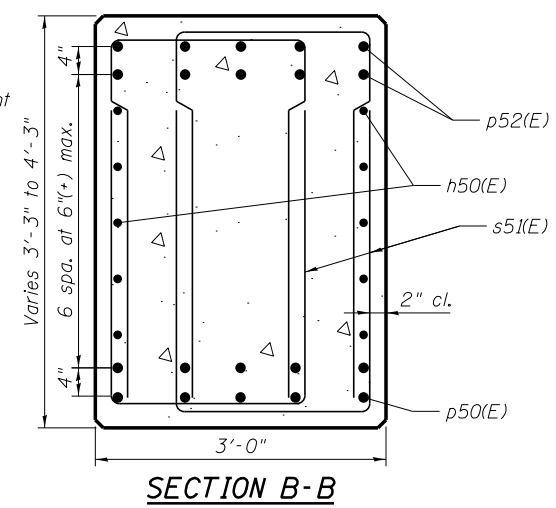
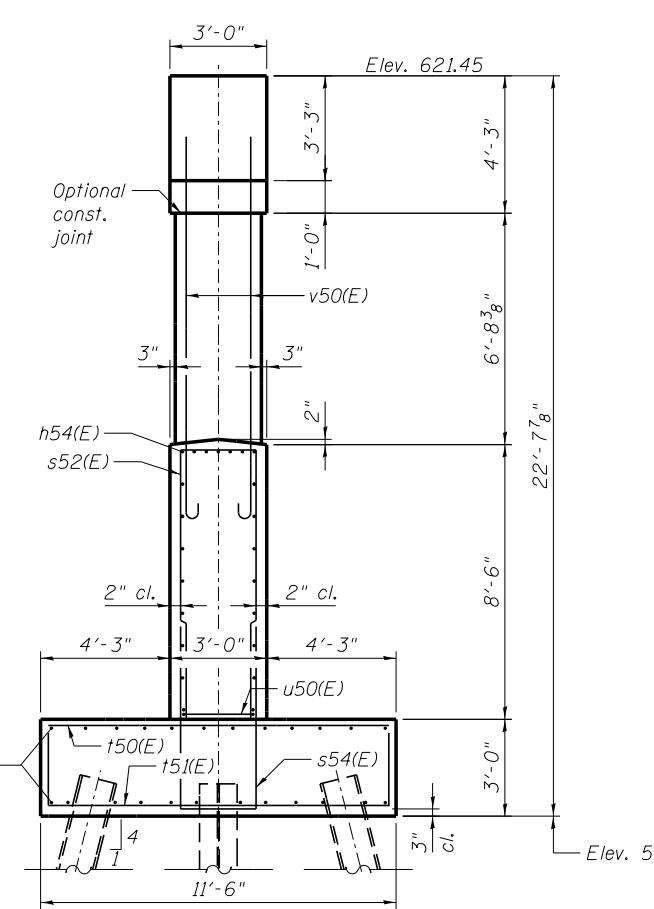
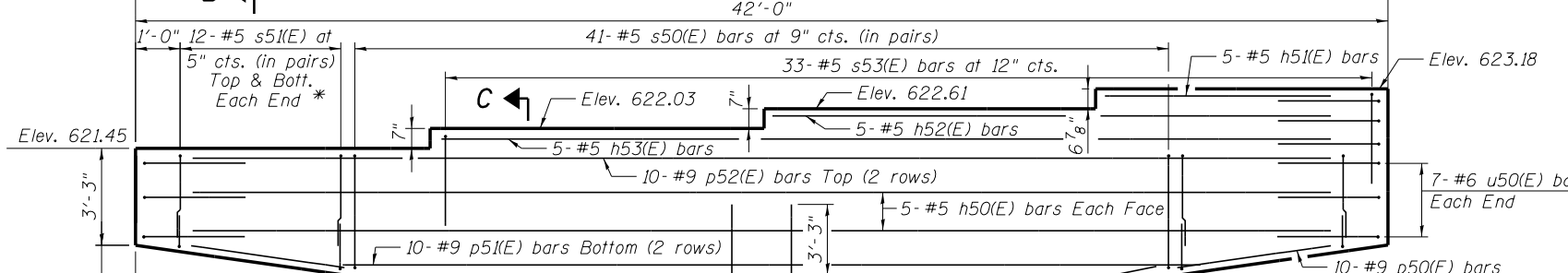
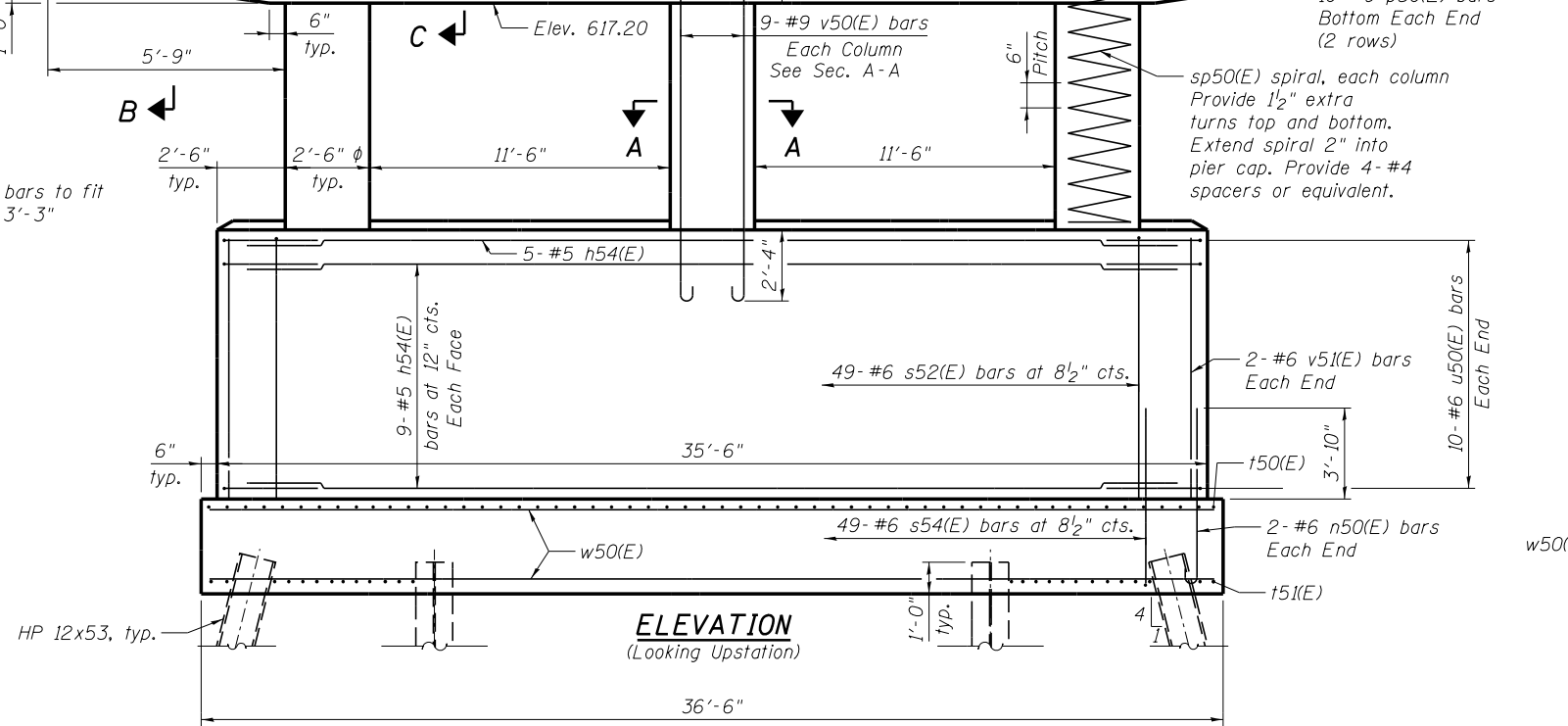


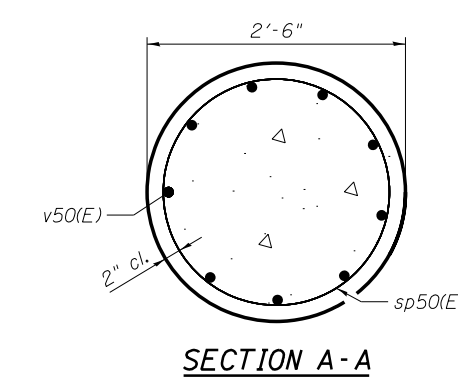
Girder	A	B
1	11 1/2"	2'-1 1/4"
2	11 3/4"	2'-1 3/8"
3	1'-0"	2'-1 3/8"
4	1'-0 1/4"	2'-1 3/8"



* Cut s51(E) bars to fit
Min. lap = 3'-3"



END VIEW



SECTION A-A

PILE DATA

Type: HP 12x53 with pile shoes
Nominal Required Bearing: 418 kips
Factored Resistance Available: 230 kips
Est. Length: 44'
No. Production Piles: 17
No. Test Piles: 1

NOTES:

1. Space reinforcement in cap to miss anchor bolts.
2. Pour steps monolithically with cap.
3. For details of piles, see sheet SB38.
4. See foundation plan, sheet SB3, for pile layout.

benesch
engineers - scientists - planners

Alfred Benesch & Company
205 North Michigan Avenue, Suite 2400
Chicago, Illinois 60601
312-565-0450 Job No. 10093

FILE NAME =	USER NAME = ksnyder	DESIGNED - DMS	REVISED -
0161512.60W77.036_Pier_2_Details.dgn		CHECKED - JHG	REVISED -
		DRAWN - KMS	REVISED -
		CHECKED - JHG	REVISED -

STATE OF ILLINOIS
DEPARTMENT OF TRANSPORTATION

PIER 2 DETAILS
STRUCTURE NO. 016-1512
SHEET NO. SB36 OF SB43 SHEETS

F.A.P. RTE.	SECTION	COUNTY	TOTAL SHEETS	SHEET NO.
373	(0707-608&611)HB-B	COOK	177	152
				CONTRACT NO. 60W77
ILLINOIS FED. AID PROJECT				

X:\100000\S\10093\Eng-Docs-Phase-11\SN-016-1512-SB-1st-Ave-to-NB-155-over-155\Final\0161512.60W77.036_Pier_2_Details.dgn 7:21:12 AM 7/17/2014