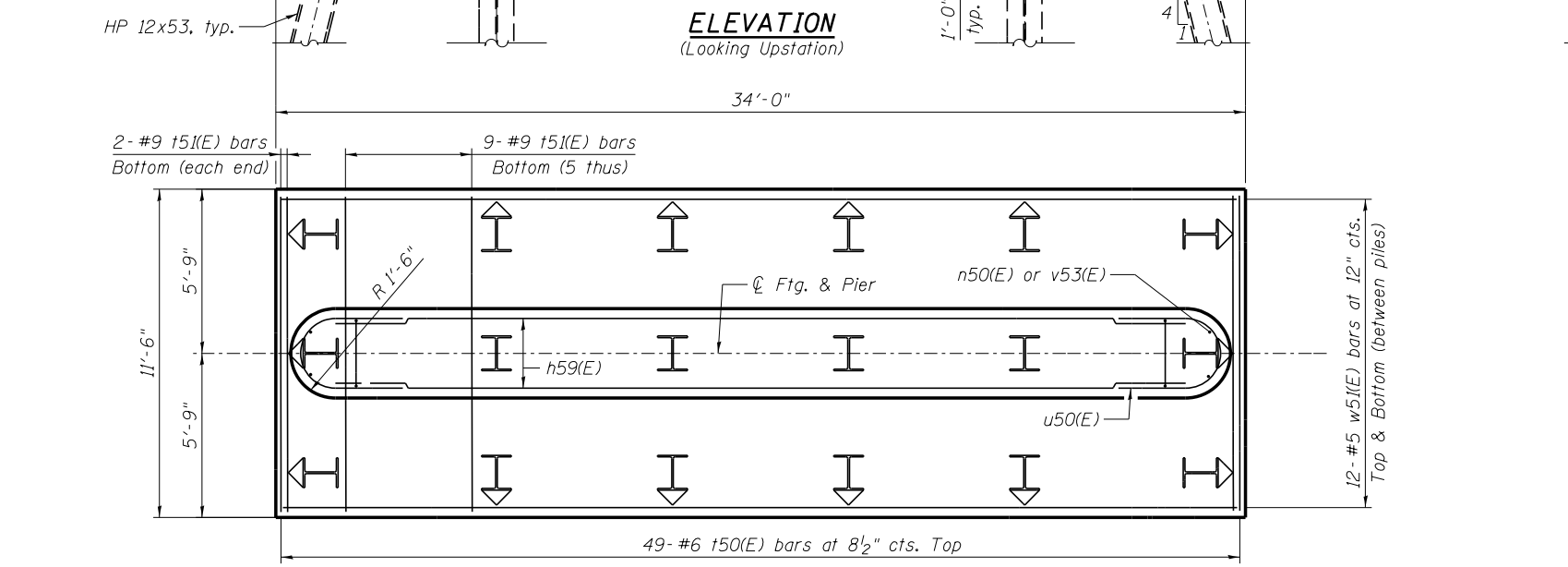
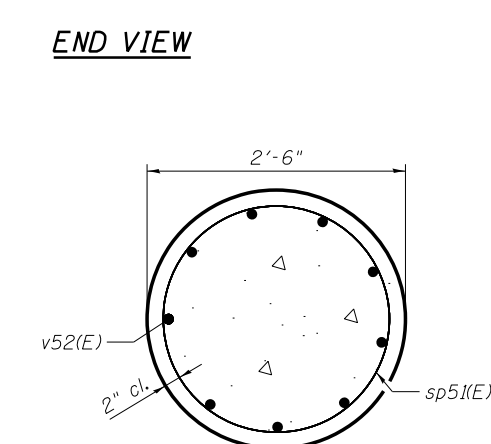
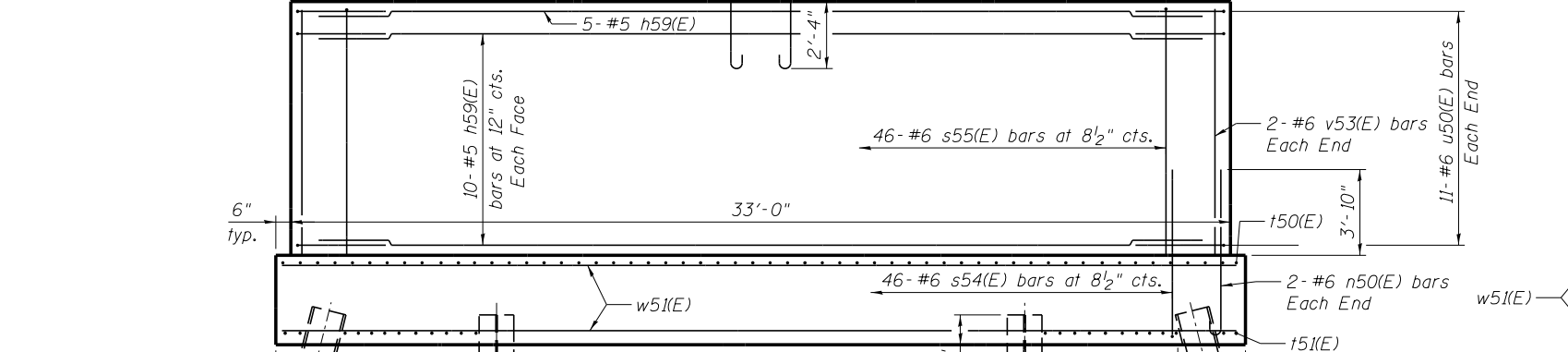
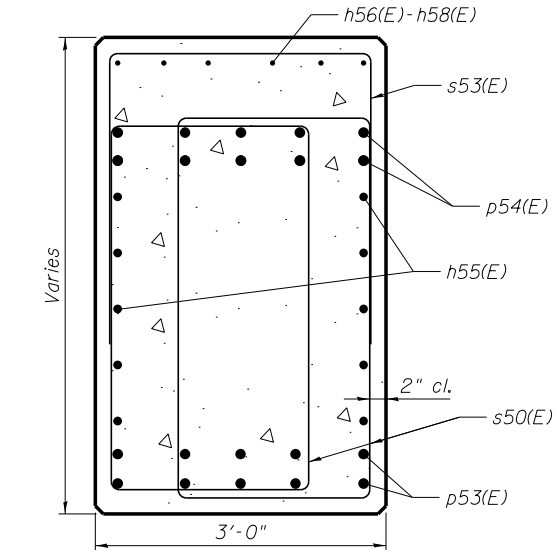
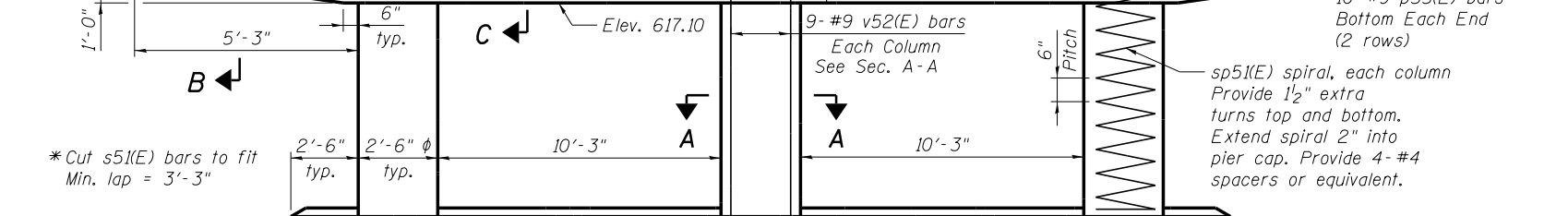
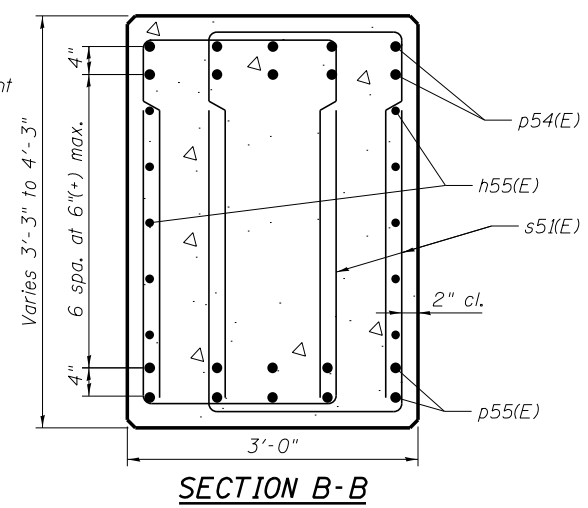
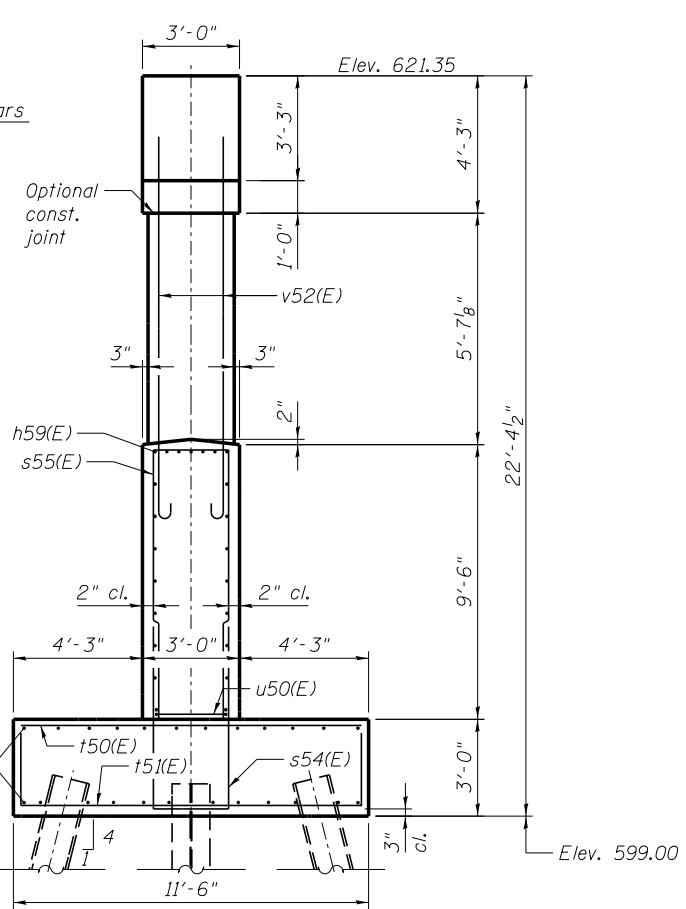
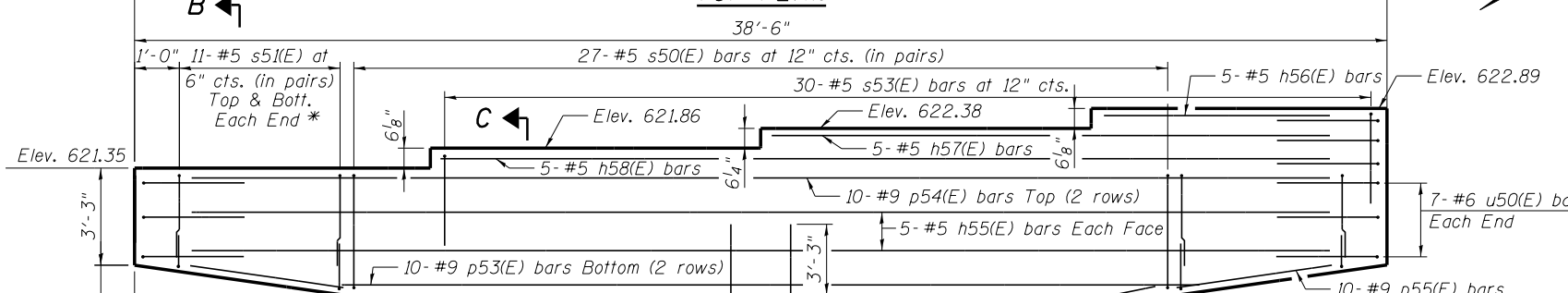


Girder	A	B
1	9 1/2"	1'-5 1/8"
2	9 5/8"	1'-5 5/8"
3	9 5/8"	1'-5 5/8"
4	9 3/4"	1'-5 5/8"



PILE DATA
 Type: HP 12x53 with pile shoes
 Nominal Required Bearing: 418 kips
 Factored Resistance Available: 230 kips
 Est. Length: 44'
 No. Production Piles: 17
 No. Test Piles: 1

- NOTES:**
1. Space reinforcement in cap to miss anchor bolts.
 2. Pour steps monolithically with cap.
 3. For details of piles, see sheet SB38.
 4. See foundation plan, sheet SB3, for pile layout.

benesch
 engineers - scientists - planners
 Alfred Benesch & Company
 205 North Michigan Avenue, Suite 2400
 Chicago, Illinois 60601
 312-565-0450 Job No. 10093

FILE NAME = 0161512.60W77.035_Pier 1.Details.dgn	USER NAME = ksnyder	DESIGNED - DMS	REVISED -
		CHECKED - JHG	REVISED -
		DRAWN - KMS	REVISED -
		CHECKED - JHG	REVISED -
			REVISED -

STATE OF ILLINOIS
DEPARTMENT OF TRANSPORTATION

PIER 1 DETAILS
STRUCTURE NO. 016-1512
 SHEET NO. SB35 OF SB43 SHEETS

F.A.P. RTE.	SECTION	COUNTY	TOTAL SHEETS	SHEET NO.
373	(0707-608&611)HB-B	COOK	177	151
CONTRACT NO. 60W77				
ILLINOIS FED. AID PROJECT				

X:\100000\10093\Eng-Docs-Phase-11\SN-016-1512-SB-1st-Ave-to-NB-155-over-155\Final\0161512.60W77.035_Pier 1-Details.dgn 7:21:03 AM 7/17/2014