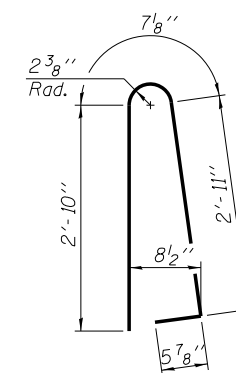
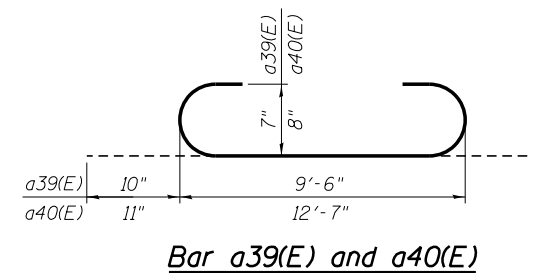
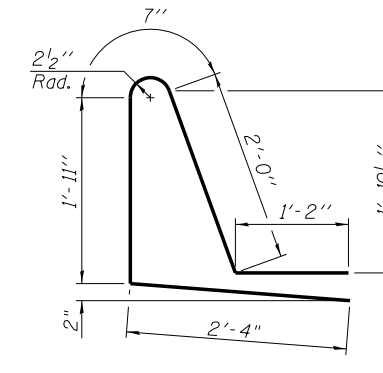


Bar	A	B	C	D
a33(E)	33'-5"	4'-3"	19'-6"	18'-2"
a34(E)	33'-7"	5'-0"	20'-3"	18'-4"
a36(E)	34'-0"	3'-7"	19'-0"	18'-7"
a37(E)	34'-1"	3'-0"	18'-10"	18'-3"

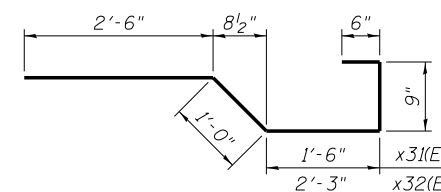
CUTTING DIAGRAM



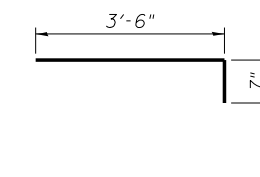
Bar d31(E)



Bar d32(E)



Bar x31(E) and x32(E)



Bar x33(E)

SUPERSTRUCTURE BILL OF MATERIAL

Bar	No.	Size	Length	Shape
a31(E)	4	#8	36'-2"	—
a32(E)	1368	#6	6'-6"	—
a33(E)	12	#5	37'-8"	—
a34(E)	8	#5	38'-7"	—
a35(E)	1060	#5	34'-6"	—
a36(E)	36	#5	37'-7"	—
a37(E)	24	#5	37'-1"	—
a38(E)	10	#8	27'-3"	—
a39(E)	9	#8	11'-2"	U
a40(E)	12	#8	14'-5"	U
a41(E)	2	#8	22'-6"	—
a42(E)	1	#8	29'-0"	—
b31(E)	342	#5	34'-6"	—
b32(E)	390	#5	32'-0"	—
b33(E)	140	#6	36'-3"	—
d31(E)	612	#5	6'-10"	U
d32(E)	612	#5	8'-0"	U
e31(E)	32	#4	9'-8"	—
e32(E)	4	#8	9'-8"	—
e33(E)	32	#4	19'-8"	—
e34(E)	4	#8	19'-8"	—
e35(E)	56	#4	15'-7"	—
e36(E)	4	#4	33'-0"	—
e37(E)	4	#8	34'-7"	—
e38(E)	42	#4	18'-6"	—
e39(E)	4	#4	29'-9"	—
e40(E)	4	#8	31'-5"	—
e41(E)	42	#4	16'-7"	—
e42(E)	3	#4	35'-0"	—
e43(E)	3	#8	37'-1"	—
e44(E)	35	#4	19'-1"	—
e45(E)	3	#4	33'-7"	—
e46(E)	3	#8	35'-8"	—
x31(E)	32	#5	6'-3"	U
x32(E)	32	#5	7'-0"	U
x33(E)	32	#5	4'-1"	U
Concrete Superstructure		Cu. Yd.	339.0	
Reinforcement Bars,		Pound	104,220	
Epoxy Coated				

benesch
engineers · scientists · planners

Alfred Benesch & Company
205 North Michigan Avenue, Suite 2400
Chicago, Illinois 60601
312-565-0450 Job No. 10093

FILE NAME =	USER NAME = ksnider	DESIGNED - JHG	REVISED -
0161512.60W77.014_Sup_Details.dgn		CHECKED - KWS	REVISED -
	PLOT SCALE =	DRAWN - KMS	REVISED -
	PLOT DATE = 6/23/2014	CHECKED - KWS	REVISED -

STATE OF ILLINOIS
DEPARTMENT OF TRANSPORTATION

SUPERSTRUCTURE DETAILS
STRUCTURE NO. 016-1512

SHEET NO. SB14 OF SB43 SHEETS

F.A.P. RTE.	SECTION	COUNTY	TOTAL SHEETS	SHEET NO.
373	(0707-608&611)HB-B	COOK	177	130
CONTRACT NO. 60W77			ILLINOIS FED. AID PROJECT	