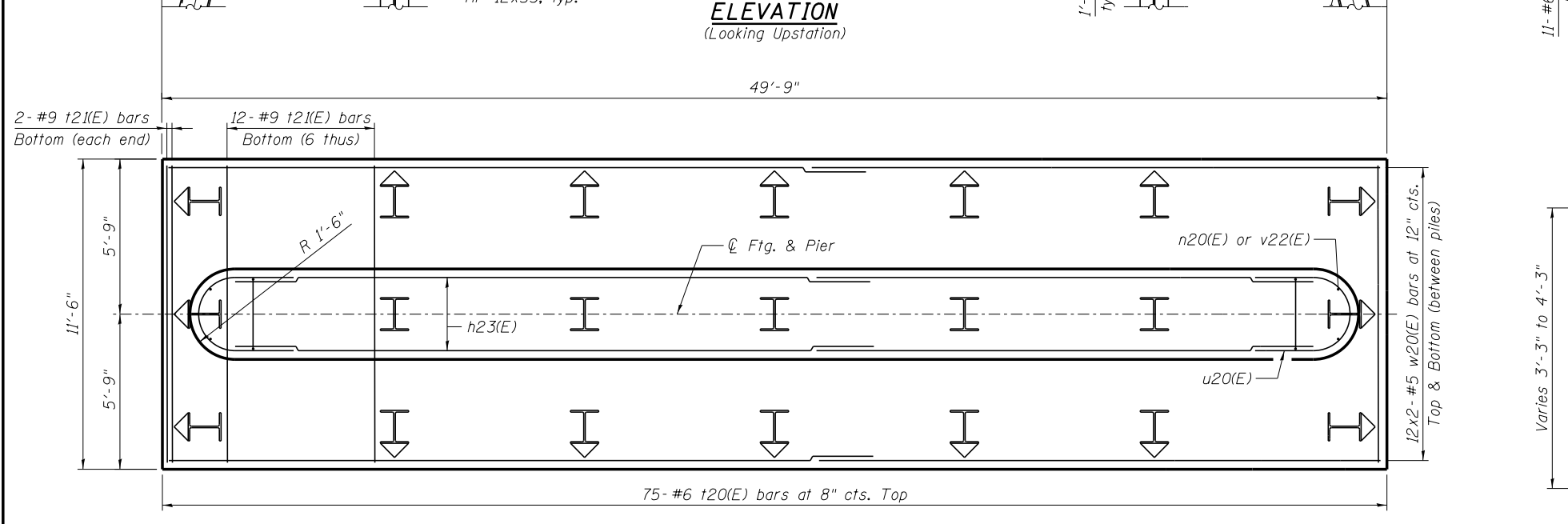
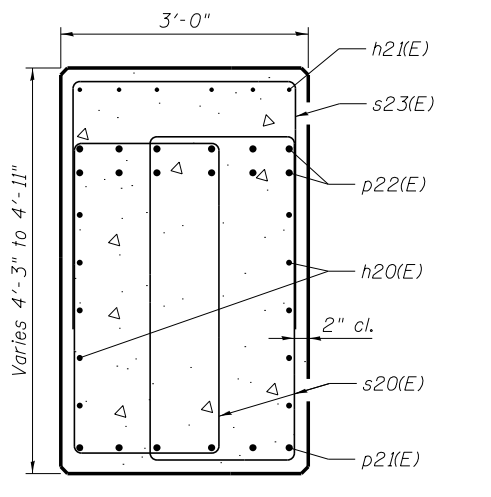
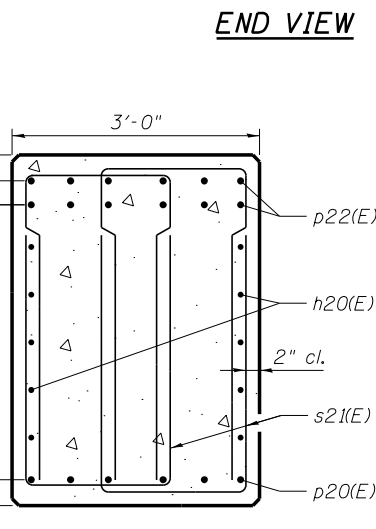
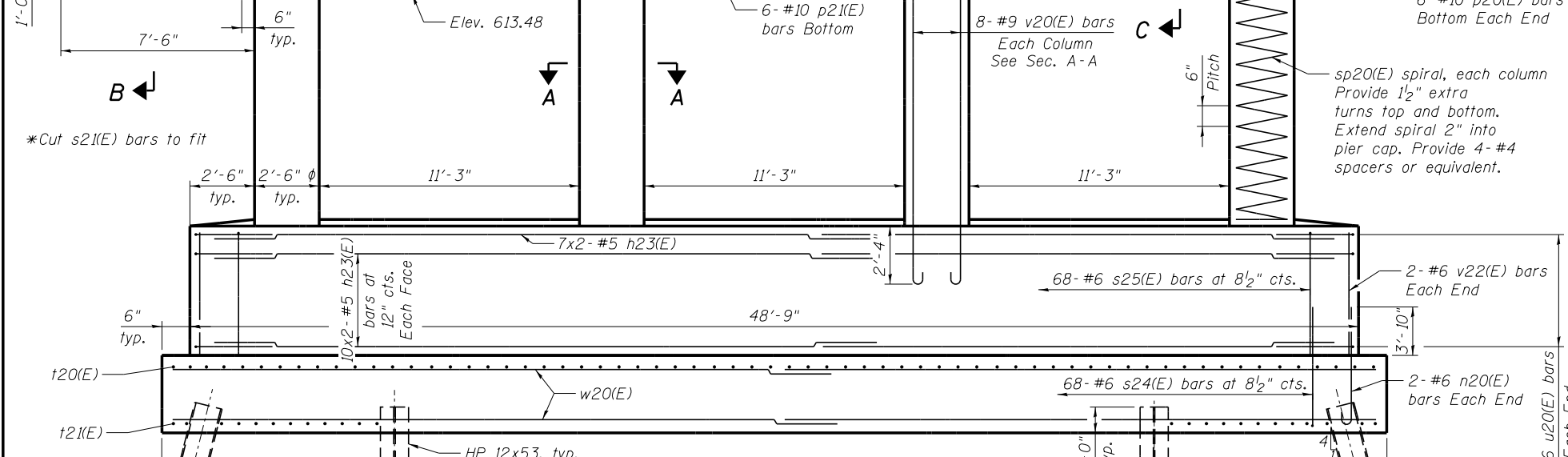
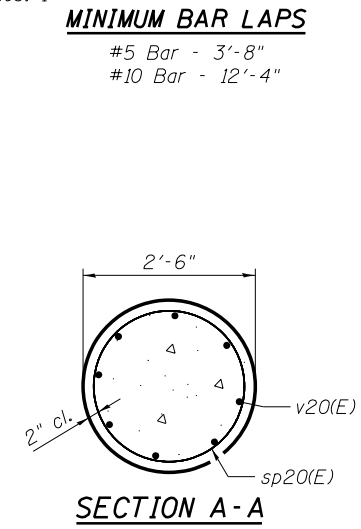
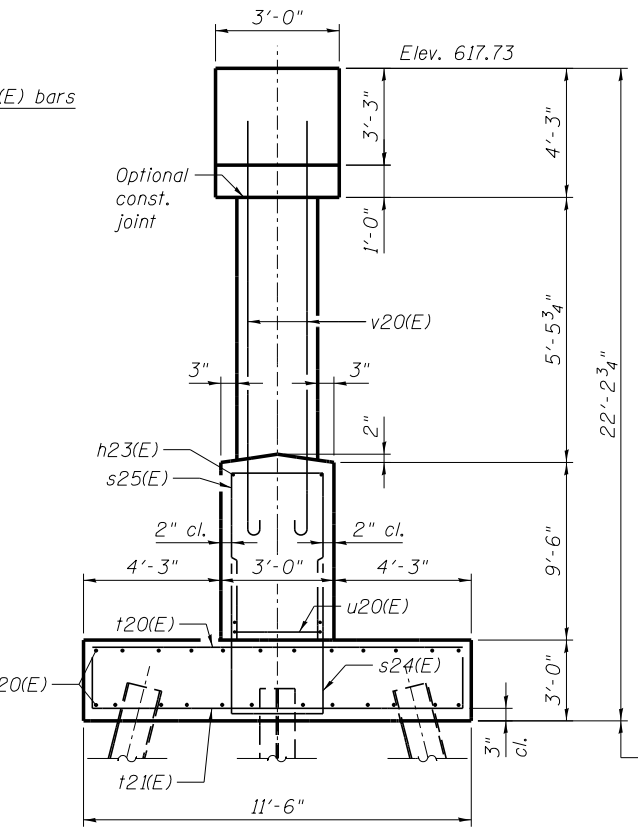
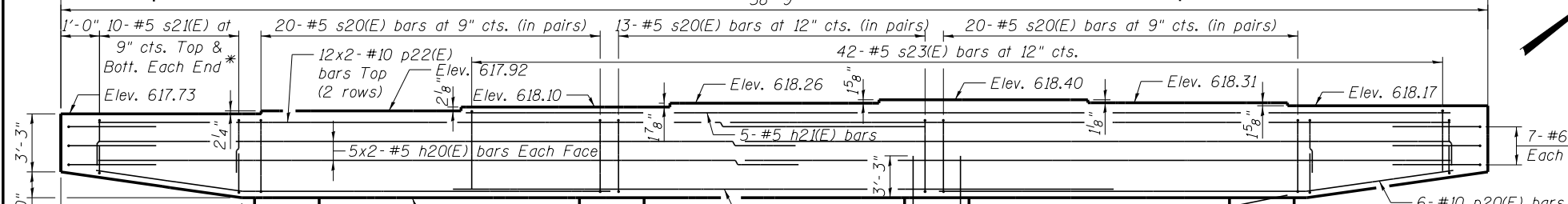


- NOTES:**
1. Space reinforcement in cap to miss anchor bolts.
 2. Pour steps monolithically with cap.
 3. For details of piles, see sheet SA37.
 4. See foundation plan, sheet SA4, for pile layout.
 5. Bars indicated thus 20 x 3-#5 etc. indicates 20 lines of bars with 3 lengths per line.



Alfred Benesch & Company
205 North Michigan Avenue, Suite 2400
Chicago, Illinois 60601
312-565-0450 Job No. 10093

FOOTING PLAN

**STATE OF ILLINOIS
DEPARTMENT OF TRANSPORTATION**

**PIER 2 DETAILS
STRUCTURE NO. 016-1510**

FILE NAME = 0161510.60W77.035_Pier-2.Details.dgn

USER NAME = ksnyder
PLOT SCALE =
PLOT DATE = 7/21/2014

DESIGNED - DMS
CHECKED - JHG
DRAWN - KMS
CHECKED - JHG

REVISED -
REVISED -
REVISED -
REVISED -

SHEET NO. SA35 OF SA43 SHEETS

F.A.P. RTE.	SECTION	COUNTY	TOTAL SHEETS	SHEET NO.
373	(0707-608&611)HB-B	COOK	177	100
CONTRACT NO. 60W77			ILLINOIS FED. AID PROJECT	

X:\100000S\10093\Eng-Docs-Phase-11\SN-016-1510-1511-1st-Ave-cover-155\Final\1510 Final\0161510.60W77.035_Pier-2.Details.dgn 8:21:03 AM 7/21/2014