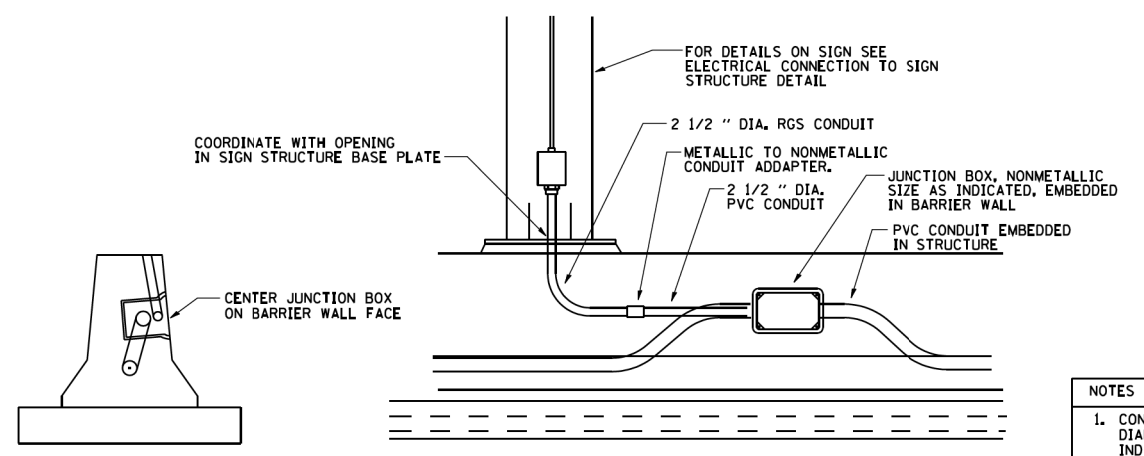


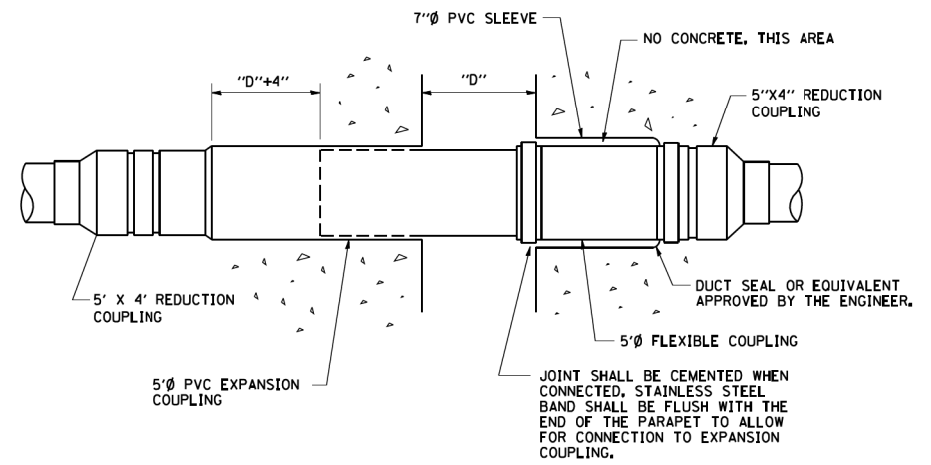
ED - BWD
ELECTRIC CONNECTION TO UNDERPASS LIGHTING

- NOTES
1. CONDUIT SHALL BE 4-INCH DIAMETER UNLESS OTHERWISE INDICATED IN THE PLANS.
 2. JUNCTION BOX SIZE
SINGLE FACE WALL: 21" X 11" X 8"
DOUBLE FACE WALL: 20" X 13" X 12"

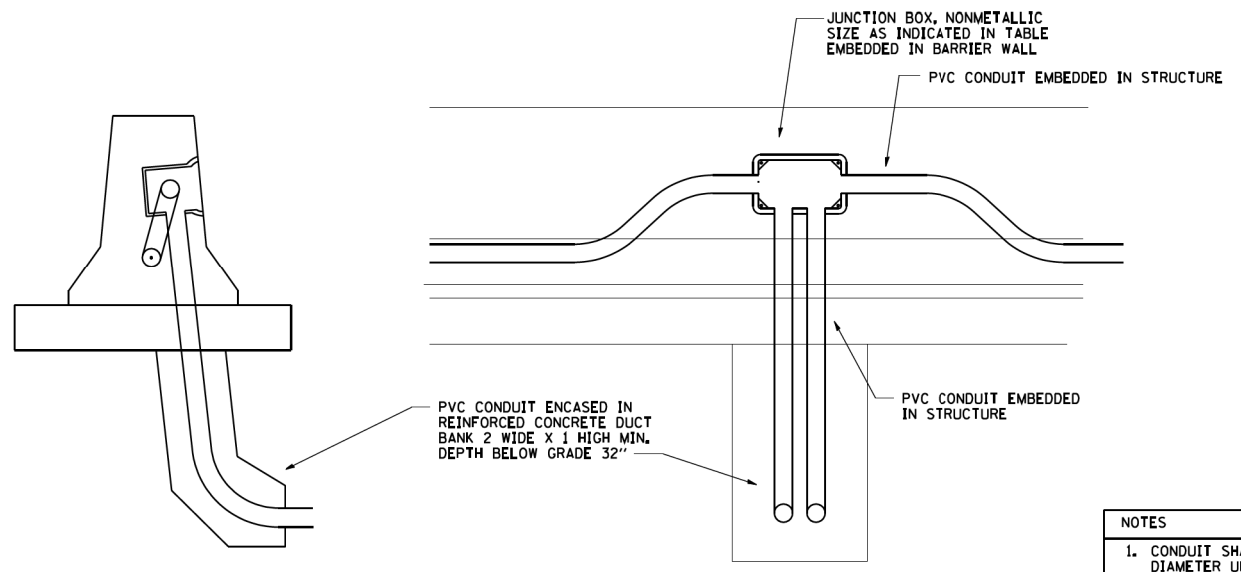


ED - SGN
JUNCTION BOX EMBEDDED IN BARRIER WALL FOR SIGN LIGHTING

- NOTES
1. CONDUIT SHALL BE 4-INCH DIAMETER UNLESS OTHERWISE INDICATED IN THE PLANS.
 2. JUNCTION BOX SIZE
SINGLE FACE WALL: 21" X 11" X 8"
DOUBLE FACE WALL: 20" X 13" X 12"



INSTALLATION OF CONDUIT
IN BRIDGE PARAPET EXPANSION JOINT
(N.T.S.)



ED - BW
JUNCTION BOX EMBEDDED IN BARRIER WALL

- NOTES
1. CONDUIT SHALL BE 4-INCH DIAMETER UNLESS OTHERWISE INDICATED IN THE PLANS.
 2. JUNCTION BOX SIZE
SINGLE FACE WALL: 21" X 11" X 8"
DOUBLE FACE WALL: 20" X 13" X 12"

FILE NAME = be703.dgn	USER NAME = geglennob	DESIGNED -	REVISED -	STATE OF ILLINOIS DEPARTMENT OF TRANSPORTATION	MISCELLANEOUS ELECTRICAL DETAILS, SHEET B J BOX EMBEDDED IN BARRIER WALL - INSTALLATION OF CONDUIT IN BRIDGE PARAPET EXPANSION JOINT - ELECTRIC CONNECTION TO UNDERPASS LIGHTING			F.A.P. RTE.	SECTION	COUNTY	TOTAL SHEETS	SHEET NO.		
		DRAWN -	REVISED -		SCALE: NONE	SHEET NO. 1	OF 1	SHEETS	STA.	TO STA.	0707-608&611HB-B	COOK	177	64
		CHECKED -	REVISED -								BE-703	CONTRACT NO. 60W77		
		DATE - 01-20-2009	REVISED -			FED. ROAD DIST. NO. 1 ILLINOIS FED. AID PROJECT								