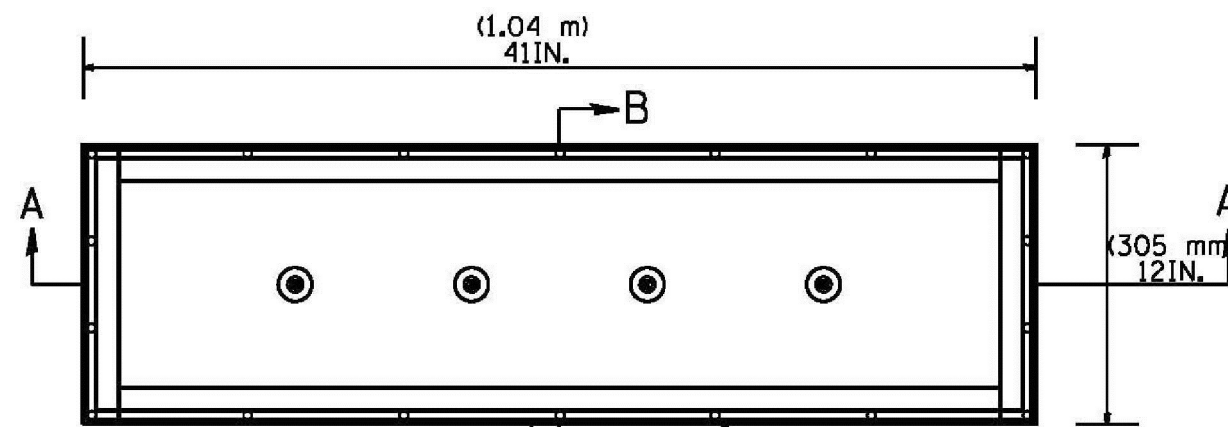


DRILL AND COUNTERSINK TOP OF COVER FOR  
3/8" (9.5 mm) 16 X 3/4" (19 mm)  
FLAT HEAD STAINLESS STEEL SLOTTED SCREWS

**BACK VIEW**

**STAINLESS STEEL COVER WITH NEOPRENE GASKET**



2.625 IN. (67 mm) DIA. FOR  
2 IN. (50.0 mm) GS-CONDUIT

3/8 IN. (9.5 mm)-16 TAP

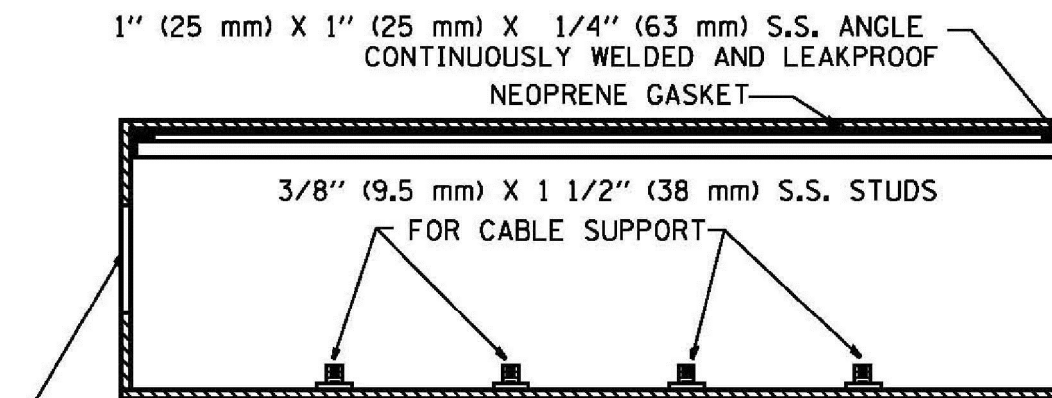
**TOP VIEW**

**STAINLESS STEEL JUNCTION BOX TYPE "J"**



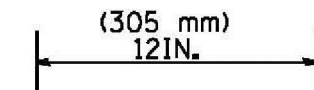
**SIDE VIEW**

**STAINLESS STEEL COVER**



4.625" (117 mm) DIA.  
FOR 4" (100 mm) PVC DUCT

**SIDE VIEW SECTION A-A**



4.625" (117 mm) DIA.  
FOR 4" (100 mm) PVC DUCT

WELDED SEAMS (TYP.)

2.625 IN. (67 mm) DIA. HOLE

**SIDE VIEW SECTION B-B**

**NOTE:**

JUNCTION BOX TO BE CONSTRUCTED OF  
1/4 IN. (6.3 mm) TYPE 316 STAINLESS STEEL  
ALL WELDS SHALL BE CONTINUOUS AND LEAKPROOF  
ALL COVERS SHALL BE UNIVERSAL IN FIT.

BARRIER WALL SHALL BE GAPPED A MINIMUM OF 15FT. (4.57 m) FOR PROPER PLACEMENT OF JUNCTION BOX TYPE "J" AND FOR A SMOOTH TRANSITION OF 4IN. (100 mm) PVC SURVEILLANCE DUCT(S) FROM BARRIER WALL FOOTER INTO JUNCTION BOX.

FILE NAME *	USER NAME * mseg	DESIGNED - R.L.	REvised - 06/14	STATE OF ILLINOIS DEPARTMENT OF TRANSPORTATION TRAFFIC SYSTEMS CENTER	CONCRETE BARRIER WALL JUNCTION BOX TYPE "J"	SCALE: NONE	SHEET OF SHEETS	STA. TO STA.	F.A. RTE.	SECTION	COUNTY	TOTAL SHEETS	SHEET NO.
ca\poc\work\poc\mseg\08267541\TSC1Y.dgn	DRAWN - G.M.	REvised - 10/16									177	504	
Default	CHECKED - R.L.	REvised -											
	DATE - 06/22/14	REvised -											
										CONTRACT NO.		FED. ROAD DIST. NO. ILLINOIS FED. AID PROJECT	