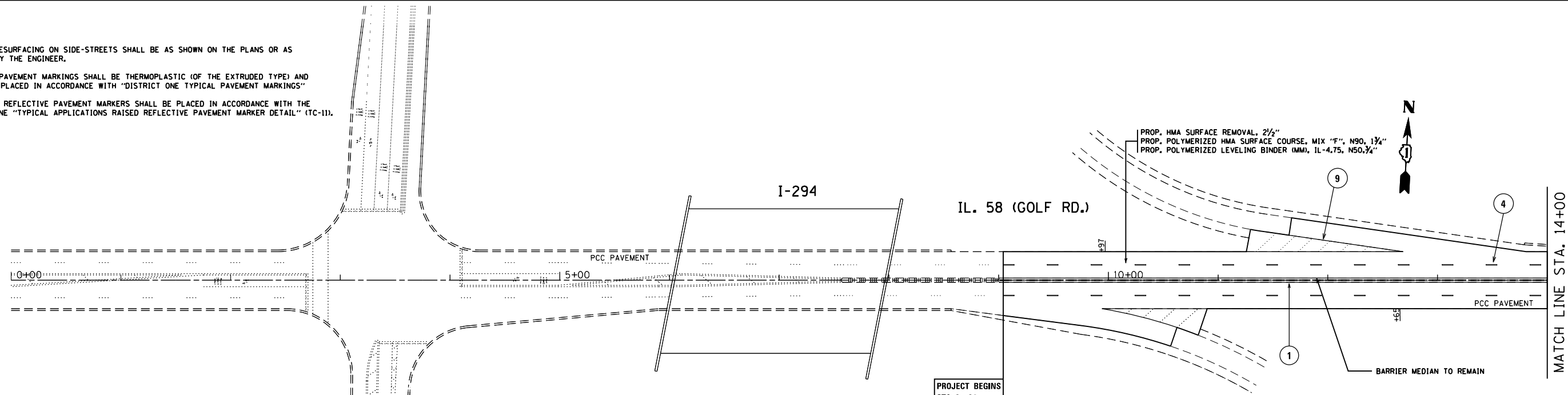


NOTES:

LIMIT OF RESURFACING ON SIDE-STREETS SHALL BE AS SHOWN ON THE PLANS OR AS DIRECTED BY THE ENGINEER.

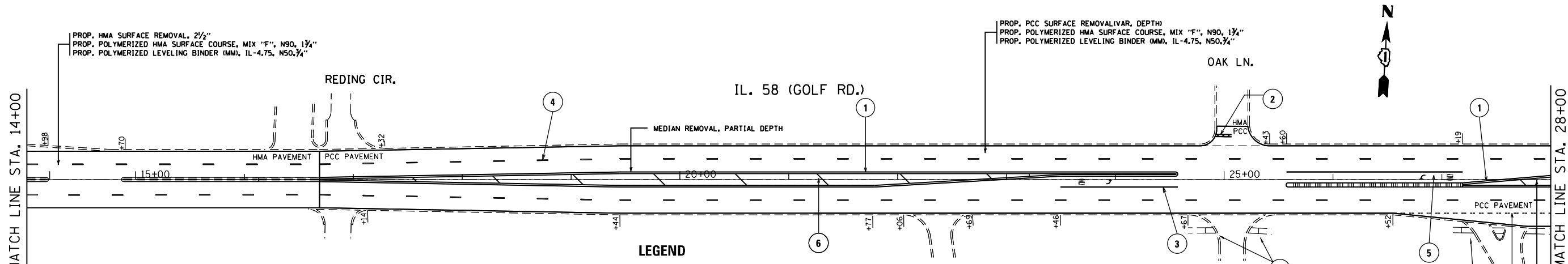
ALL FINAL PAVEMENT MARKINGS SHALL BE THERMOPLASTIC (OF THE EXTRUDED TYPE) AND SHOULD BE PLACED IN ACCORDANCE WITH "DISTRICT ONE TYPICAL PAVEMENT MARKINGS"

ALL RAISED REFLECTIVE PAVEMENT MARKERS SHALL BE PLACED IN ACCORDANCE WITH THE DISTRICT ONE "TYPICAL APPLICATIONS RAISED REFLECTIVE PAVEMENT MARKER DETAIL" (TC-11).



ROADWORK LEGEND

- (A) PROP. SIDEWALK REMOVAL
- PROP. PCC SIDEWALK RAMP 5"
- PROP. DETECTABLE WARNINGS
- PROP. REMOVAL & DISPOSAL OF UNSUITABLE MATERIALS
- SEE GENERAL NOTES



LEGEND

- (1) THERMOPLASTIC PAVEMENT MARKING, 4" SOLID YELLOW
2 LINES AT 11" C-C
- (2) THERMOPLASTIC PAVEMENT MARKING, 24" SOLID WHITE
LINE STOP BAR (TYP.)
- (3) THERMOPLASTIC PAVEMENT MARKING, 6" SOLID WHITE
TURN LANE LINE (TYP.)
- (4) THERMOPLASTIC PAVEMENT MARKING, 4" WHITE LANE
LINE 10'DASH AT 30'SKIP (TYP.)
- (5) WHITE THERMOPLASTIC LETTERS AND SYMBOLS (TYP.)
- (6) THERMOPLASTIC PAVEMENT MARKING, 12" SOLID YELLOW
DIAGONAL LINES MINIMUM 5 DIAGNOALS (75' SPACING)
- (7) THERMOPLASTIC PAVEMENT MARKING, 6" WHITE CROSSWALK
LINES, 2 AT 6' C-C SPACING (TYP.)
- (8) THERMOPLASTIC PAVEMENT MARKING, 6" WHITE SKIP DASH
WHITE LANES, (2' DASH, 6' SPACING)(TYP.)
- (9) THERMOPLASTIC PAVEMENT MARKING, 8" WHITE LINES
- (10) THERMOPLASTIC CROSSWALK PAVEMENT MARKING (6" LONGITUDINAL BARS)
12" WIDE AT 90 DEGREES 2' APART (SOLID WHITE)
- (11) THERMOPLASTIC PAVEMENT MARKING,
4" SOLID YELLOW

NOTES:

LIMIT OF RESURFACING ON SIDE-STREETS SHALL BE AS SHOWN ON THE PLANS OR AS DIRECTED BY THE ENGINEER.

ALL FINAL PAVEMENT MARKINGS SHALL BE THERMOPLASTIC (OF THE EXTRUDED TYPE) AND SHOULD BE PLACED IN ACCORDANCE WITH "DISTRICT ONE TYPICAL PAVEMENT MARKINGS"

ALL RAISED REFLECTIVE PAVEMENT MARKERS SHALL BE PLACED IN ACCORDANCE WITH THE DISTRICT ONE "TYPICAL APPLICATIONS RAISED REFLECTIVE PAVEMENT MARKER DETAIL" (TC-11).

FILE NAME =	USER NAME = phillipsdo	DESIGNED -	REVISED -
et:\pw\work\p\dot\phillipsdo\d0238794\DI07611-sht-plen.dgn		DRAWN -	REVISED -
	PLOT SCALE = 100.0000' / in.	CHECKED -	REVISED -
	PLOT DATE = 7/17/2014	DATE -	REVISED -

**STATE OF ILLINOIS
DEPARTMENT OF TRANSPORTATION**

IL 58 (WEST OF POTTER RD. TO LINCOLN ST.) EXISTING AND PROPOSED ROADWAY PLANS			
SCALE: 1"=50'	SHEET NO.	OF SHEETS	STA. TO STA.

F.A.P. RTE.	SECTION	COUNTY	TOTAL SHEETS	SHEET NO.
339	584Y-RS-2	COOK	37	9
CONTRACT NO. 60M09				
ILLINOIS FED. AID PROJECT				