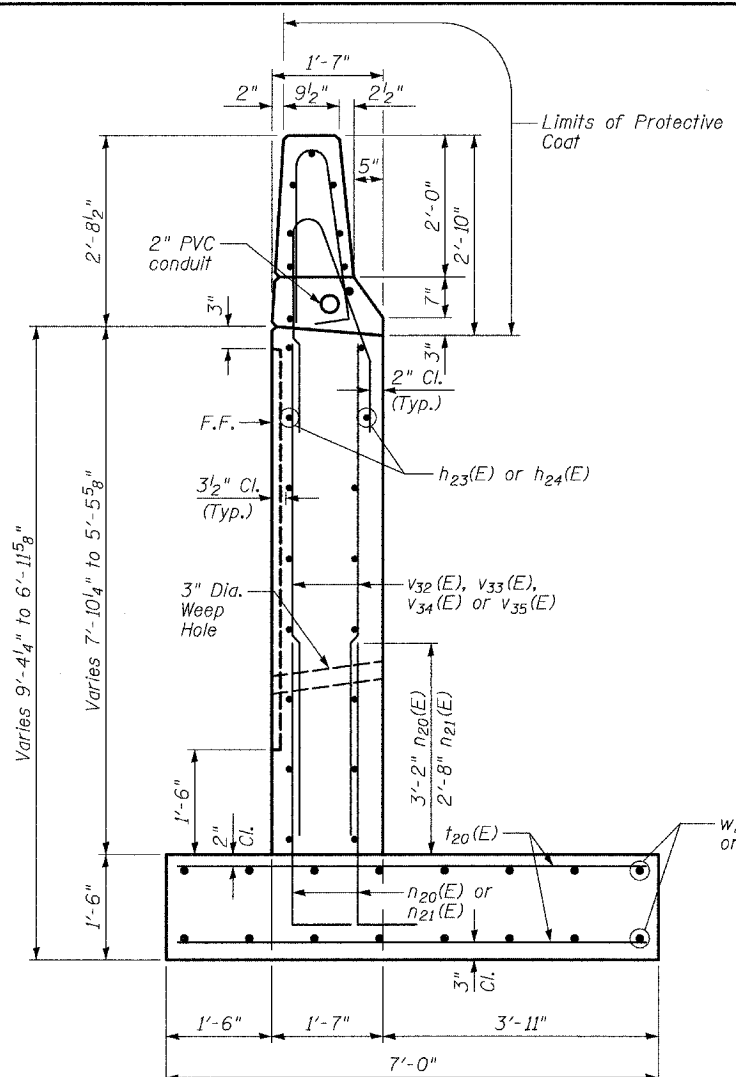


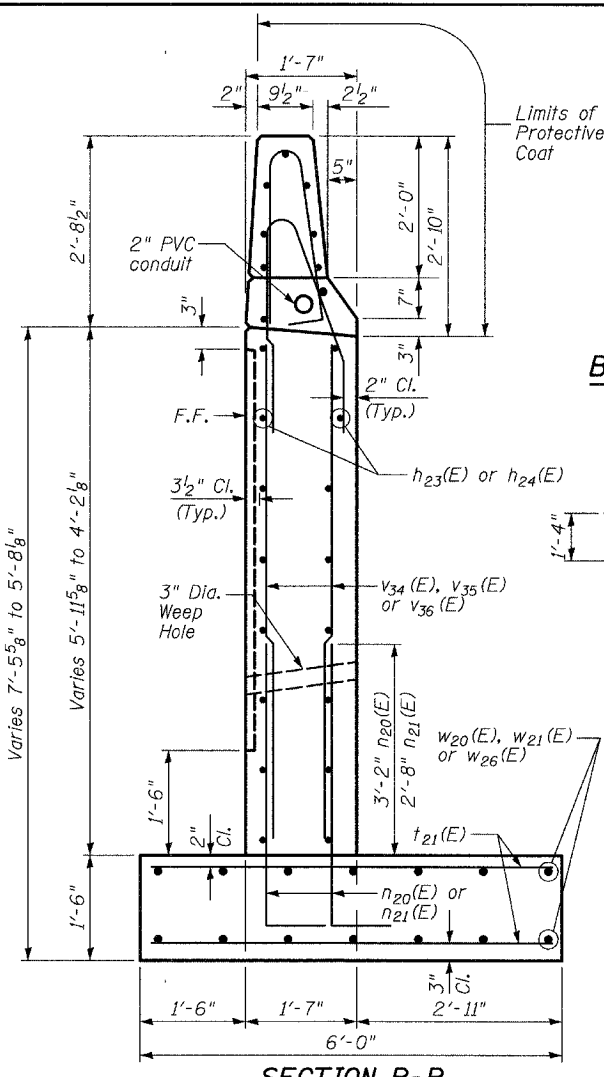
WALL F CANTILEVER WALL BILL OF MATERIAL

Bar	No.	Size	Length	Shape
d ₂₀ (E)	816	#5	5'-7"	[Symbol]
d ₂₁ (E)	816	#5	6'-3"	[Symbol]
d ₂₂ (E)	12	#6	5'-0"	[Symbol]
d ₂₃ (E)	20	#6	10'-0"	[Symbol]
h ₂₃ (E)	208	#4	31'-8"	[Symbol]
h ₂₄ (E)	98	#4	29'-8"	[Symbol]
n ₂₀ (E)	744	#5	5'-3"	[Symbol]
n ₂₁ (E)	744	#5	4'-9"	[Symbol]
t ₂₀ (E)	546	#5	6'-8"	[Symbol]
t ₂₁ (E)	910	#5	5'-8"	[Symbol]
v ₃₂ (E)	62	#5	6'-9"	[Symbol]
v ₃₃ (E)	62	#5	6'-0"	[Symbol]
v ₃₄ (E)	620	#5	5'-5"	[Symbol]
v ₃₅ (E)	558	#5	5'-1"	[Symbol]
v ₃₆ (E)	186	#5	3'-10"	[Symbol]
w ₂₀ (E)	74	#5	29'-8"	[Symbol]
w ₂₁ (E)	236	#5	32'-2"	[Symbol]
w ₂₂ (E)	15	#5	6'-1"	[Symbol]
w ₂₃ (E)	15	#5	6'-10"	[Symbol]
w ₂₄ (E)	14	#5	5'-11"	[Symbol]
w ₂₅ (E)	14	#5	6'-7"	[Symbol]
w ₂₆ (E)	22	#5	33'-8"	[Symbol]
Removal and Disposal of Unsuitable Material		CU YD	309	
* Porous Granular Embankment, Special		CU YD	380	
Structure Excavation		CU YD	1,265	
Concrete Structures		CU YD	583	
Protective Coat		SQ YD	295	
Reinforcement Bars, Epoxy Coated		POUND	59,240	
Parapet Railing, Special		FOOT	720	
Geocomposite Wall Drain		SQ YD	225	
Form Liner Textured Surface		SQ YD	323	
Anti-Graffiti Coating		SQ FT	2,907	

* Includes amount necessary for replacement of Unsuitable Material



SECTION A-A
(Sta. 459+10.10 to Sta. 461+79.85)



SECTION B-B
(Sta. 461+79.85 to Sta. 466+31.13)

BAR n₂₀(E) & n₂₁(E)

BAR d₂₀(E)

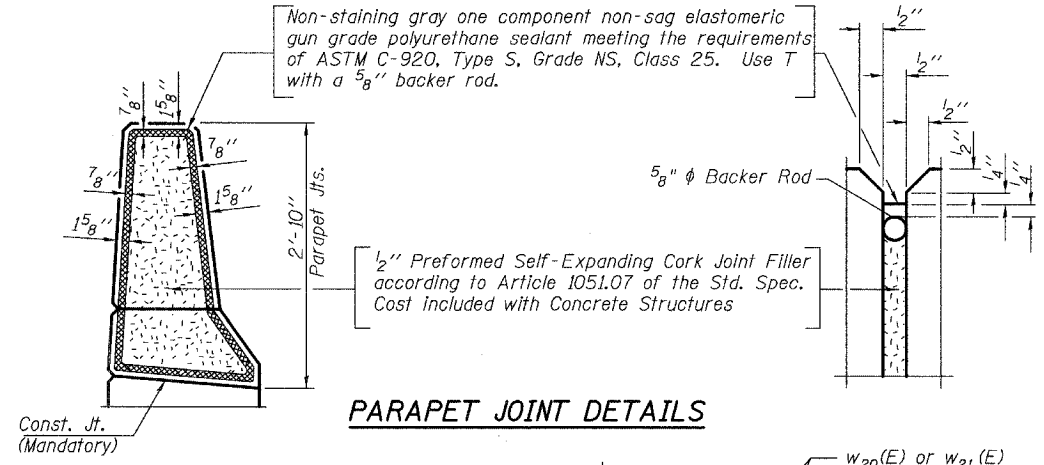
BAR d₂₁(E)

BAR d₂₂(E)

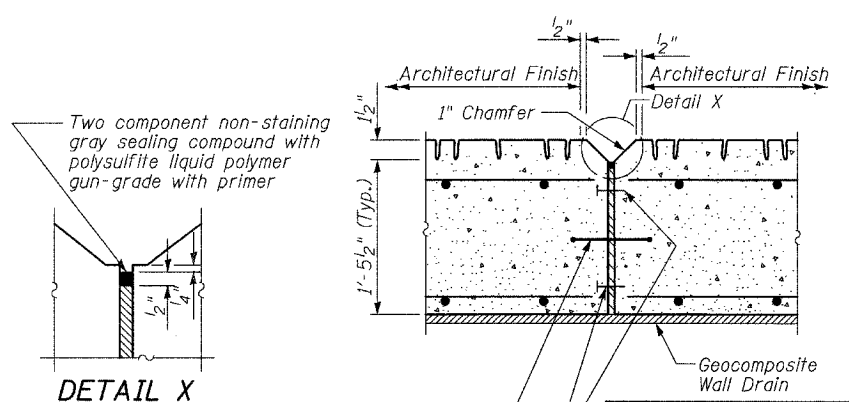
BAR d₂₃(E)

BAR w₂₂(E) & w₂₄(E)

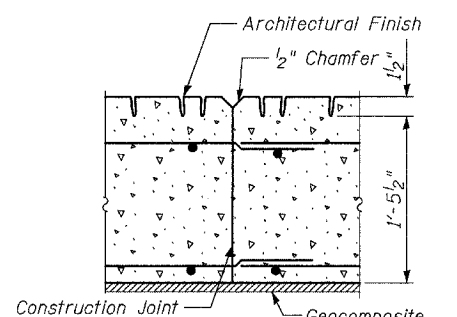
BAR w₂₃(E) & w₂₅(E)



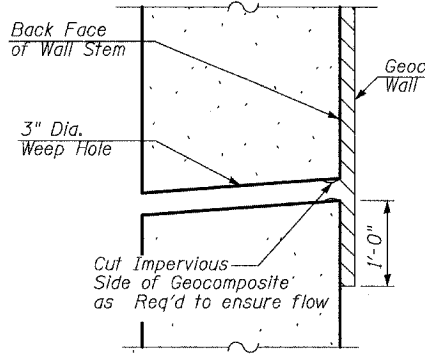
PARAPET JOINT DETAILS



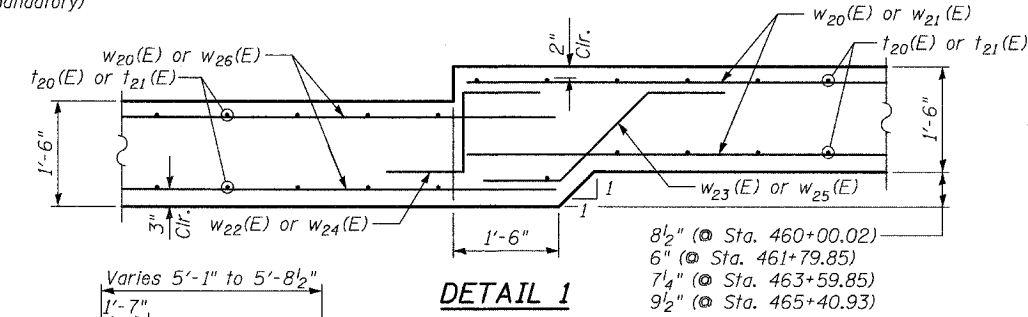
DETAIL X



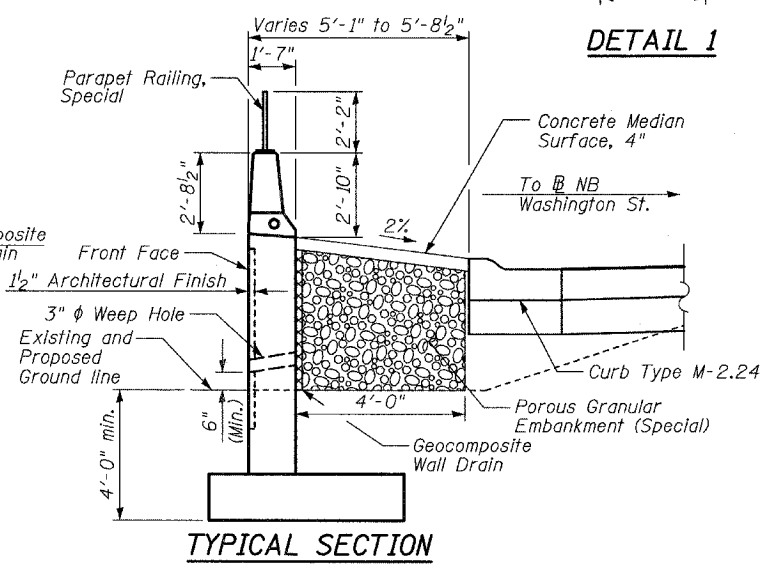
CONSTRUCTION JOINT DETAIL



WEEP HOLE DRAIN DETAIL



DETAIL 1



TYPICAL SECTION

LAP SPLICES

Bar	Lap
#4	1'-8"
#5	2'-2"
#8	4'-6"

REVISIONS	
NAME	DATE

WALL F- CANTILEVER WALL BILL OF MATERIAL & DETAILS

WASHINGTON - 75TH STREET
F.A.U. ROUTE 2552
SECTION 00-00114-00-PV
DUPAGE COUNTY

TYLIN INTERNATIONAL

DESIGNED	- DE
CHECKED	- SP
DRAWN	- DE
CHECKED	- SP