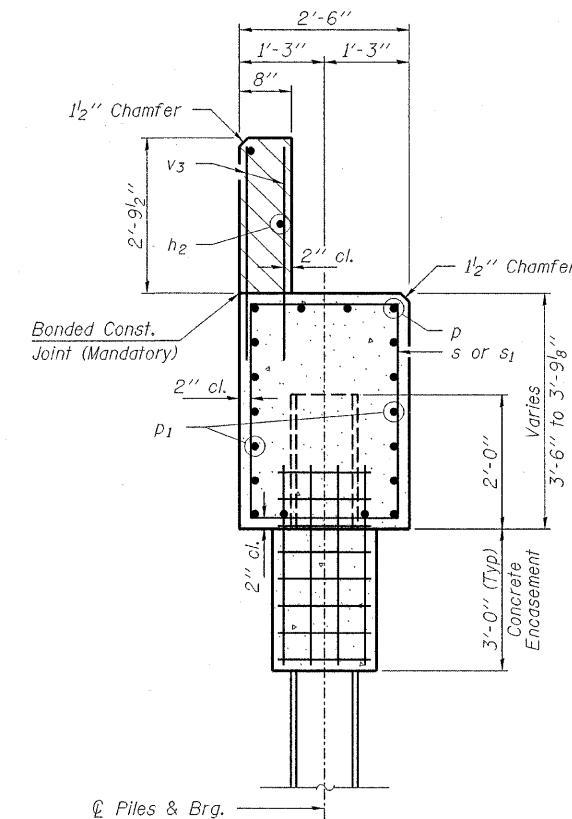
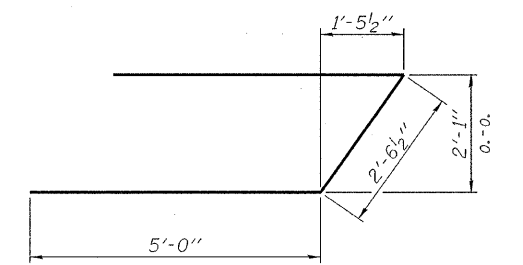


PLAN

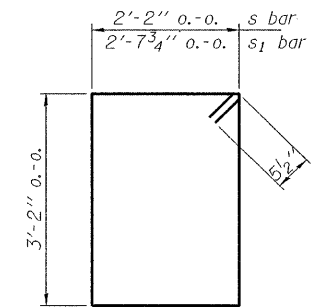


SECTION A-A

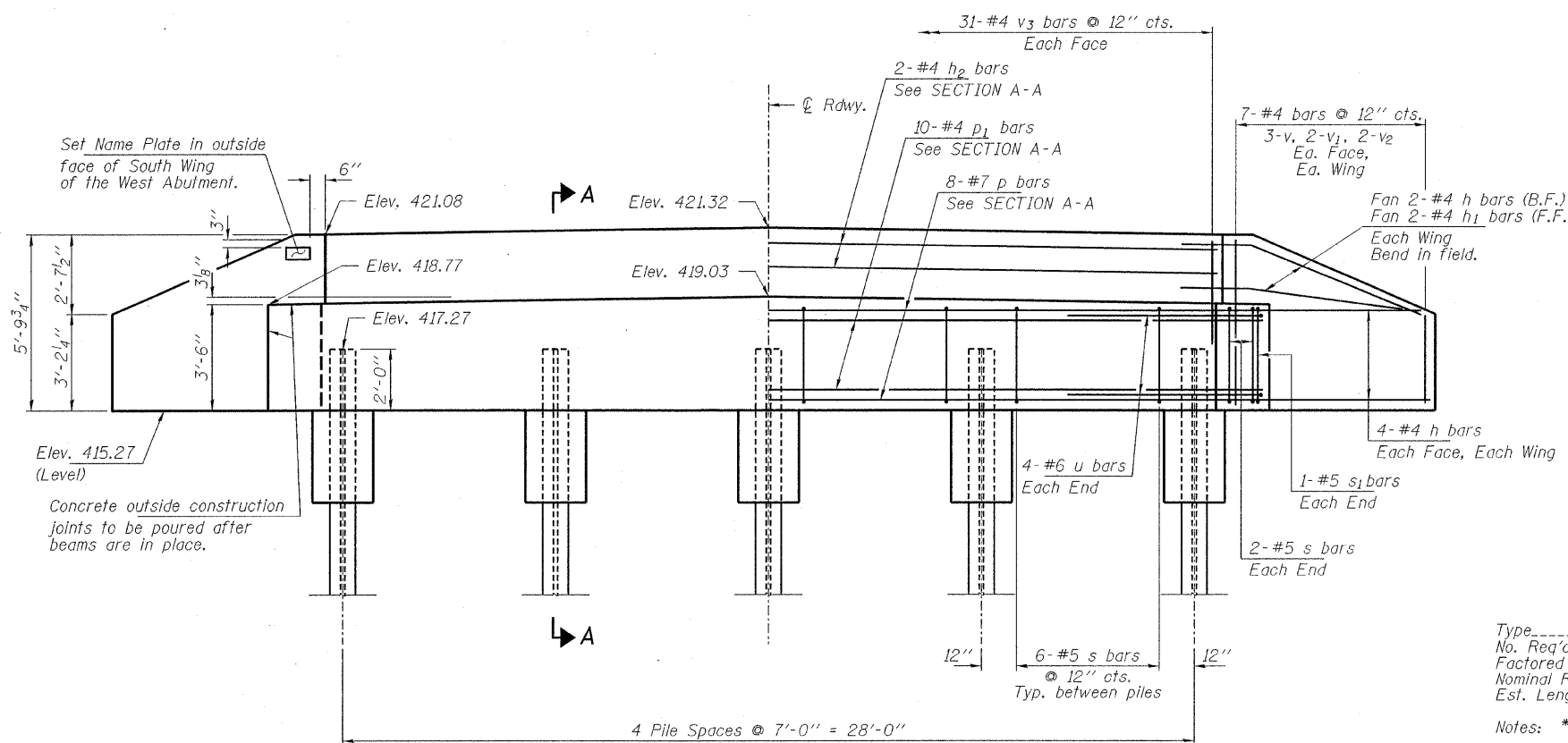
Hatched area to be poured after beams are in place.



BAR u



BAR s & s1



ELEVATION

BILL OF MATERIAL - 2 ABUTS.

BAR	NO.	SIZE	LENGTH	SHAPE
h	40	#4	8'-3"	—
h1	8	#4	6'-9"	—
h2	4	#4	30'-10"	—
p	16	#7	30'-10"	—
p1	20	#4	30'-10"	—
s	56	#5	11'-7"	□
s1	4	#5	12'-7"	□
u	16	#6	12'-7"	—
v	24	#4	4'-8"	—
v1	16	#4	3'-10"	—
v2	16	#4	2'-11"	—
v3	124	#4	3'-4"	—
Concrete Structures			Cu. Yd.	28.6
Concrete Encasement			Cu. Yd.	3.4
Reinforcement Bars			Pound	3,210
Steel Piles HP10x42			Foot	513
Test Pile Steel HP10x42			Each	1
Name Plates			Each	1

PILE DATA

Type.....Steel HP10x42
 No. Req'd. (2 Abuts.).....*10
 Factored Resistance Available.....167 Kips/Pile
 Nominal Req'd Bearing.....335 Kips/Pile
 Est. Length.....57 Ft/Pile

Notes: *Includes one test pile to be driven in permanent location at the West Abutment.

The Steel H-Piles shall be according to AASHTO M270 Grade 50.

The test piles shall be driven to 110 percent of the Nominal Required Bearing indicated in the pile data information.

DESIGNED - S.M.S.
CHECKED - S.W.M.
DRAWN - D.T.M.
CHECKED - D.A.B.

**ABUTMENTS
STRUCTURE NO. 093-3133**

HAMPTON, LENZINI & RENWICK, INC. CIVIL & STRUCTURAL ENGINEERS LAND SURVEYORS HLR 3085 STEVENSON DRIVE, SUITE 201 SPRINGFIELD, ILLINOIS 62703 (217) 546-3400 PROJECT NUMBER: 08.0207.130 DATE: 03/31/09	SHEET NO. 6	T.R.	SECTION	COUNTY	TOTAL SHEETS	SHEET NO.
		37	06-06109-00-BR	WABASH	14	10
			CONTRACT NO. 95584			
			FED. ROAD DIST. NO. ILLINOIS FED. AID PROJECT			