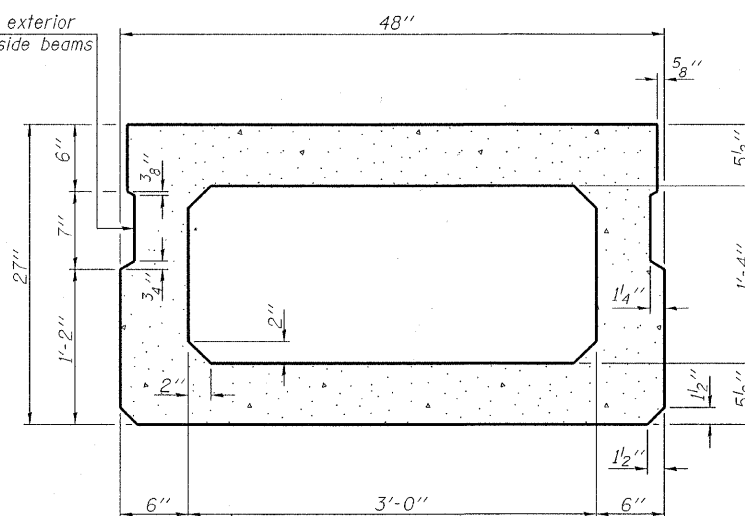
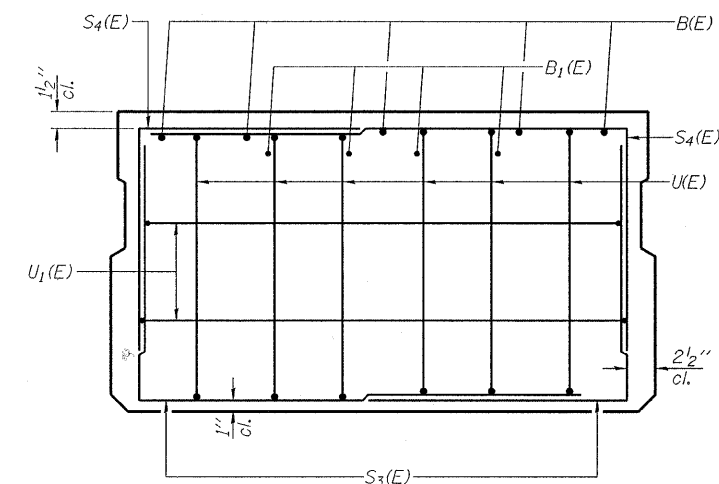


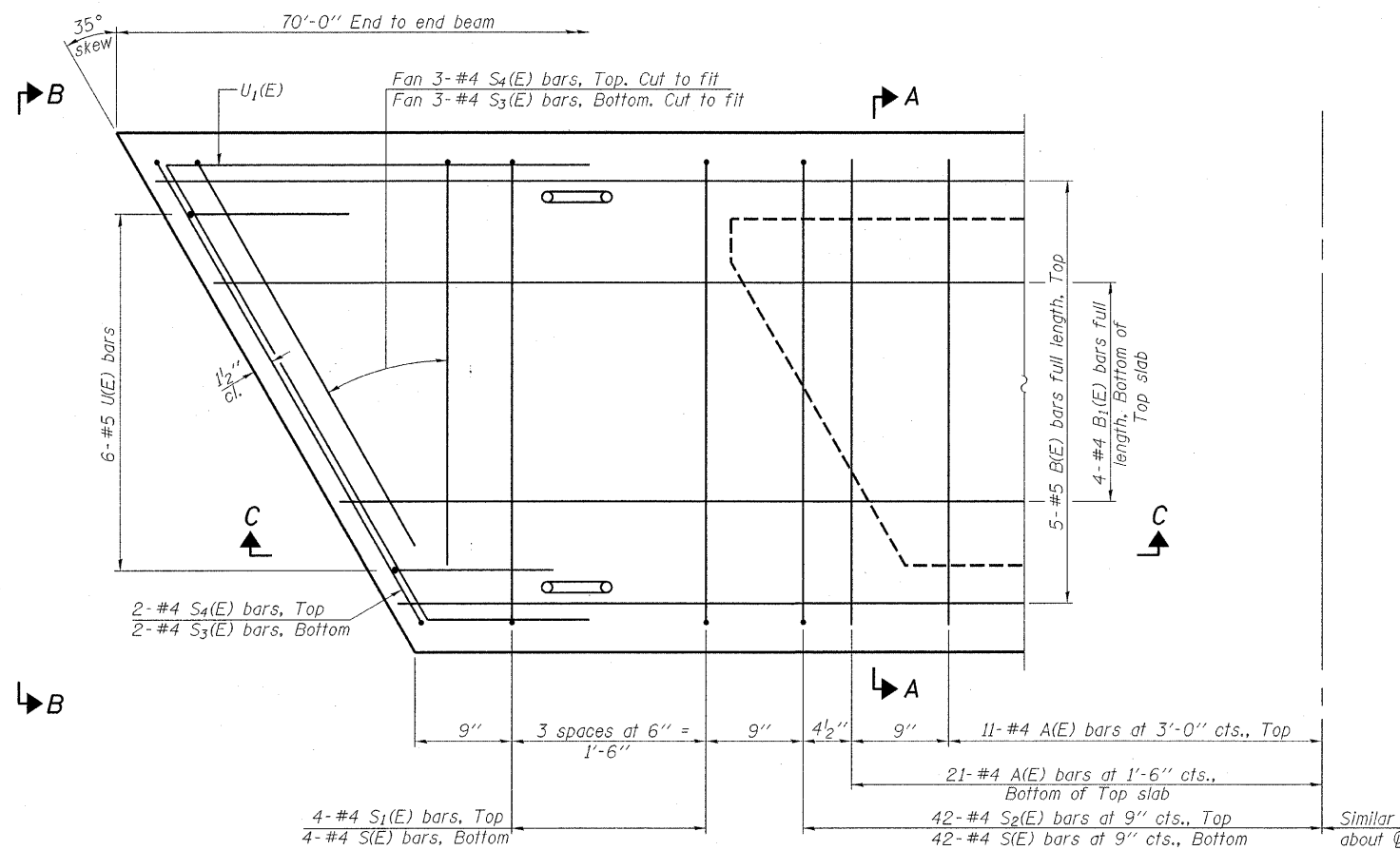
SECTION C-C



SECTION A-A
(Showing dimensions)

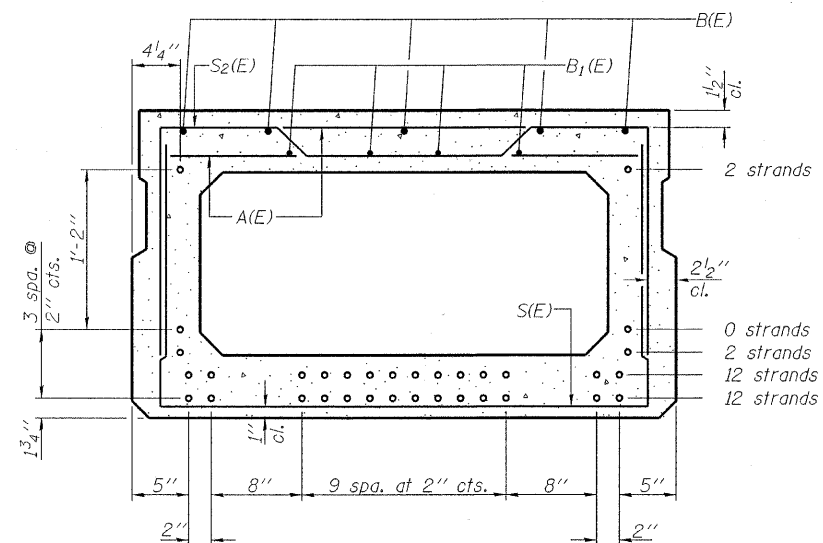


VIEW B-B



PLAN VIEW

Note: Spacing of S(E) and S2(E) bars may be adjusted up to 4" in the immediate area of the transverse tie diaphragms to miss the block outs for the transverse ties.



SECTION A-A

(Showing reinforcement and permissible strand locations)
Note: Place the number of strands specified in each row symmetrically about the centerline of beam in the permissible strand locations shown.

BAR LIST
ONE BEAM ONLY
(For information only)

Bar	No.	Size	Length	Shape
A(E)	64	#4	3'-7"	—
B(E)	10	#5	36'-0"	—
B1(E)	12	#4	23'-10"	—
S(E)	92	#4	7'-5"	U
S1(E)	8	#4	6'-11"	U
S2(E)	84	#4	7'-2"	U
S3(E)	10	#4	5'-2"	U
S4(E)	10	#4	5'-1"	U
U(E)	12	#5	4'-6"	U
U1(E)	4	#4	9'-3"	U

Note: See sheet 3 & 4 of 9 for additional details and Bill of Material.

DESIGNED - S.M.S.
CHECKED - S.W.M.
DRAWN - D.T.M.
CHECKED - D.A.B.

PD-2748-R 5-16-08

HAMPTON, LENZINI & RENWICK, INC.
CIVIL & STRUCTURAL ENGINEERS
LAND SURVEYORS
HLR
3085 STEVENSON DRIVE, SUITE 201
SPRINGFIELD, ILLINOIS 62703
(217) 546-3400
PROJECT NUMBER: 08.0207.130 DATE: 03/31/09

SHEET NO. 2
9 SHEETS

T.R.	SECTION	COUNTY	TOTAL SHEETS	SHEET NO.
37	06-06109-00-BR	WABASH	14	6
CONTRACT NO. 95584				
FED. ROAD DIST. NO. ILLINOIS FED. AID PROJECT				

SUPERSTRUCTURE
27" X 48" PPC DECK BEAM
STRUCTURE NO. 093-3133