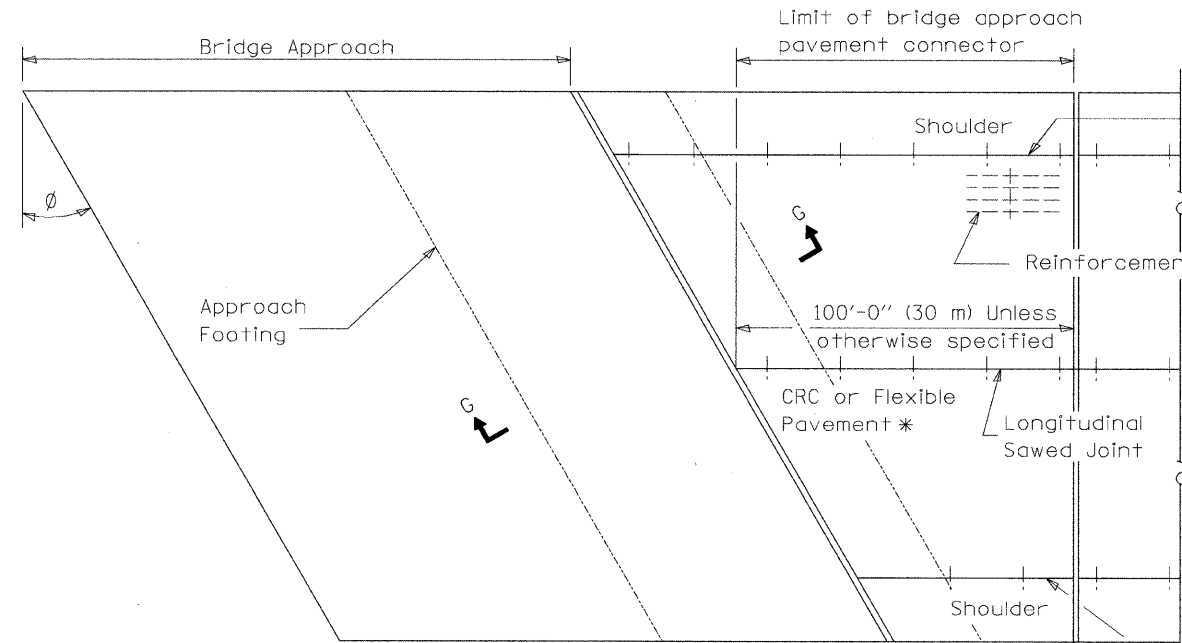
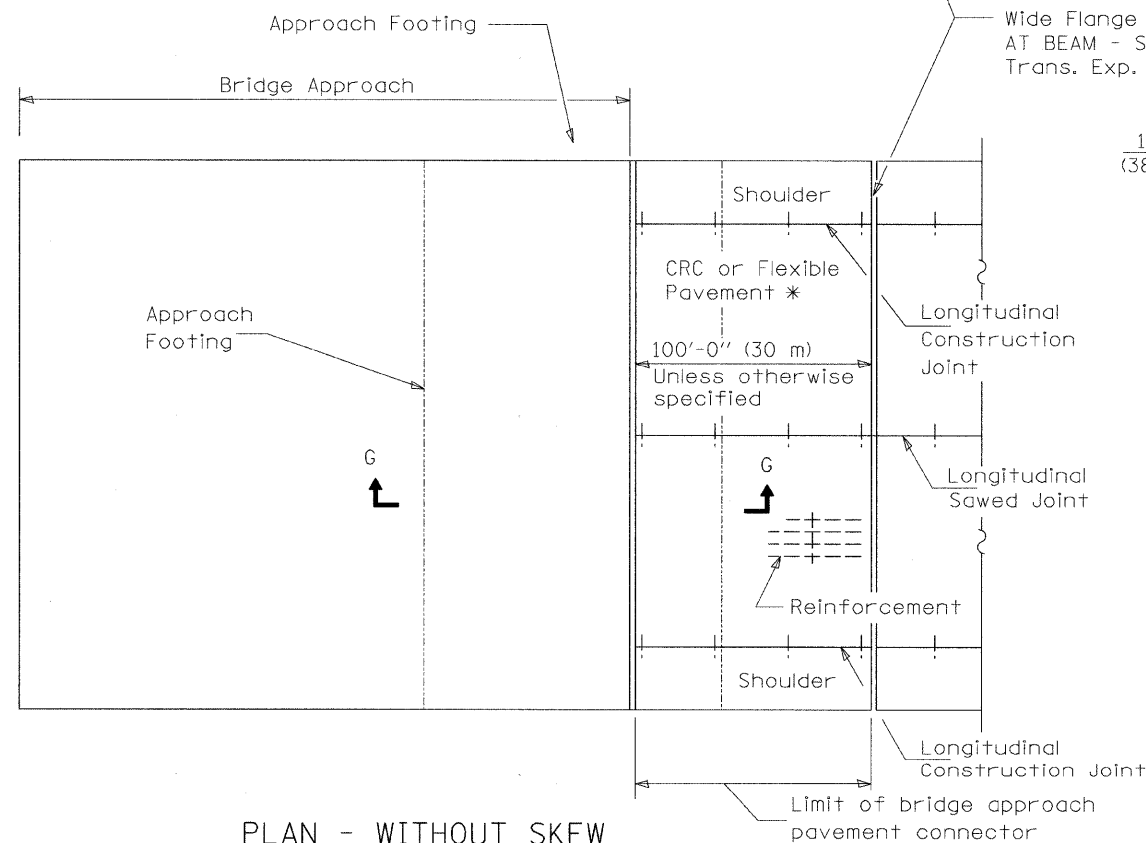


ROUTE NO.	SECTION	COUNTY	TOTAL SHEETS	SHEET NO.
N. LINCOLN AVE.	07-25932-00-BR	CHAMPAIGN	50	30
STA.	TO STA.			
F.H.W.A. REG.	ILLINOIS	PROJECT		

NEW CONSTRUCTION

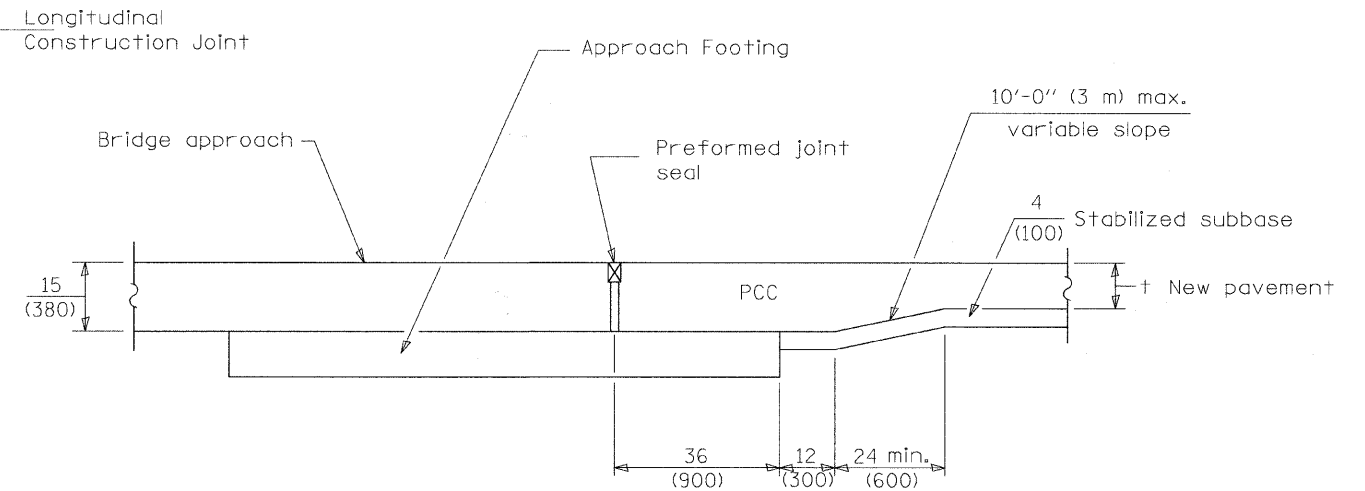


PLAN - WITH SKEW



PLAN - WITHOUT SKEW

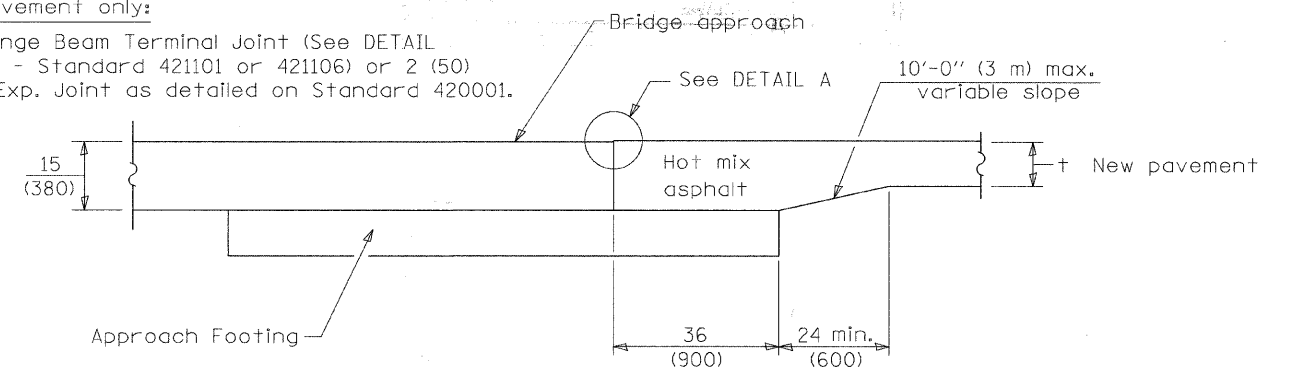
* Omit Reinforcement, tie bars and Long. sawed Jt. for Flexible Pavement.



SECTION G-G - RIGID PAVEMENT

Rigid Pavement only:

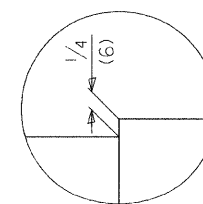
Wide Flange Beam Terminal Joint (See DETAIL A)
 AT BEAM - Standard 421101 or 421106) or 2 (50)
 Trans. Exp. Joint as detailed on Standard 420001.



SECTION G-G - FLEXIBLE PAVEMENT

GENERAL NOTES

- THICKNESS-"t"=Thickness of Pavement.
- See Standard 421001 for reinforcement details not shown.
- See Standard 420001 for joint details not shown.
- See plans for details of bridge approach, approach footing and preformed joint seal.
- All dimensions are in inches (millimeters) unless otherwise shown.



DETAIL A

BRIDGE APPROACH PAVEMENT CONNECTOR
 (Sheet 1 of 2)

SECTION: 07-25932-00-BR
 CHAMPAIGN COUNTY
 Q. STATION 10+00