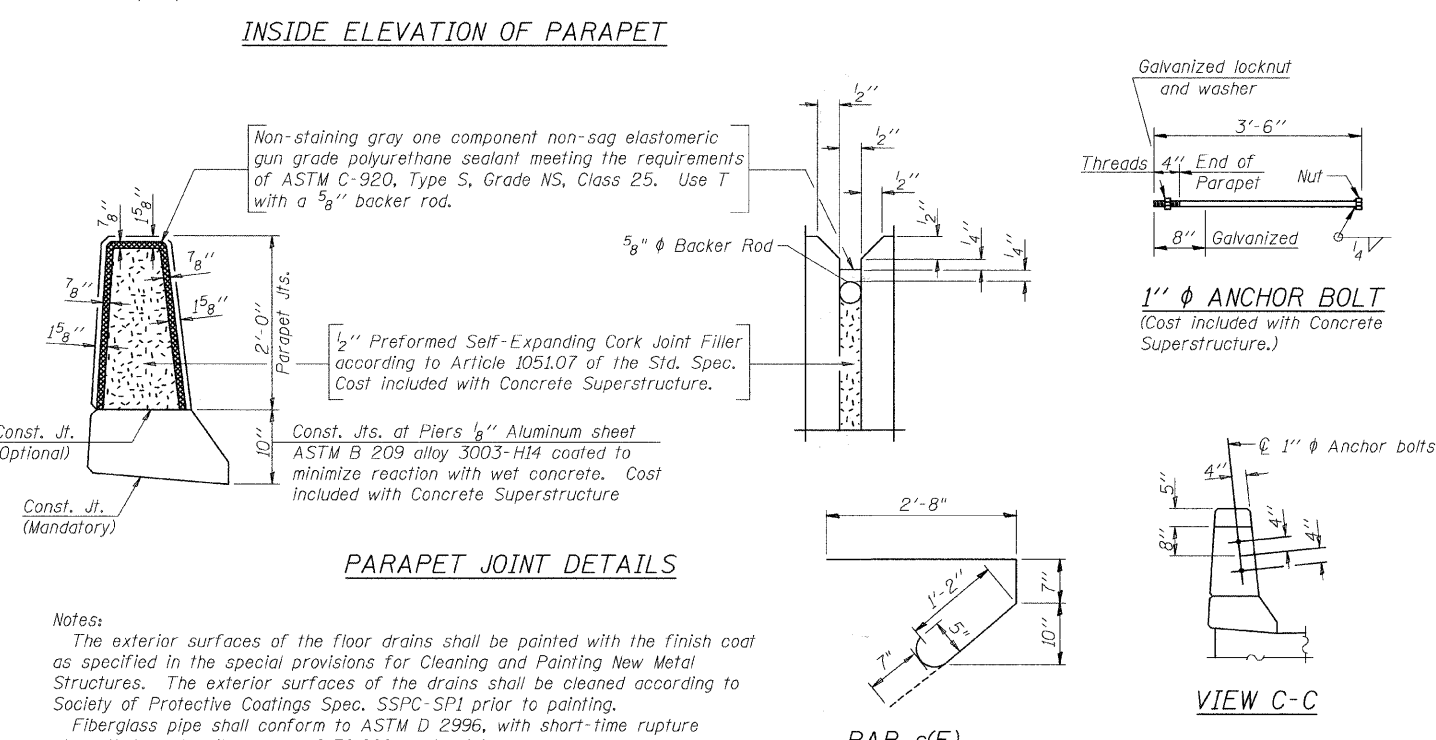
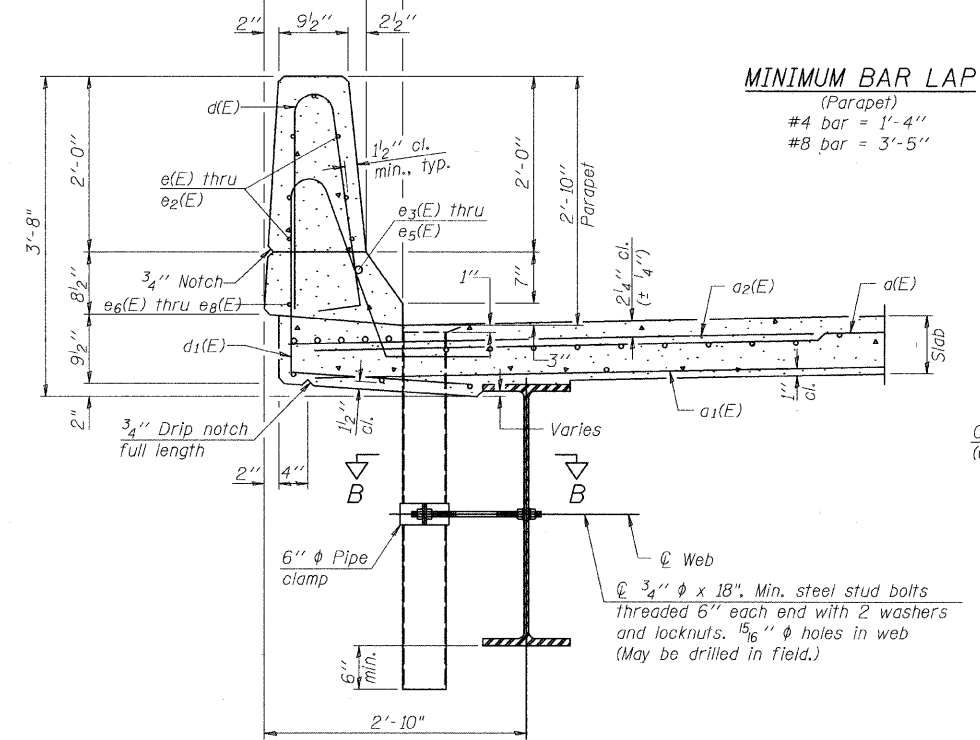
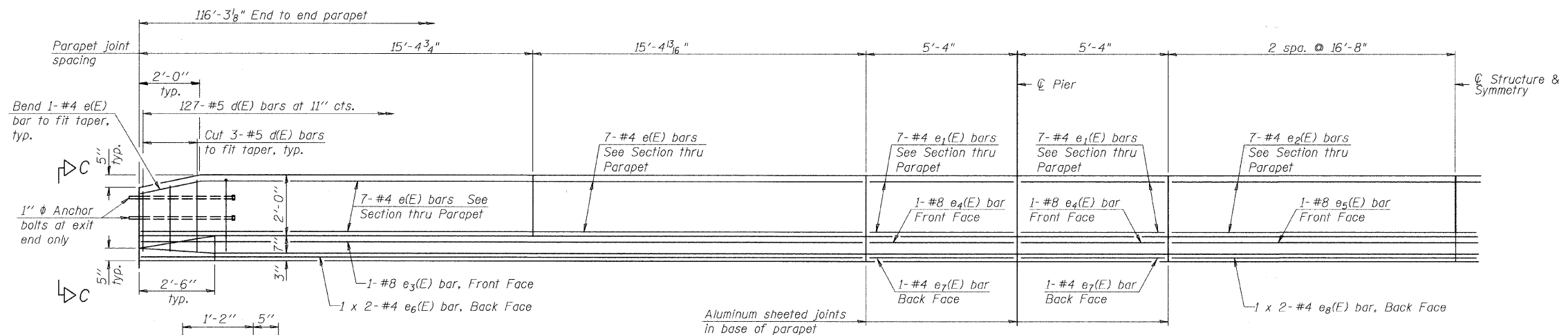


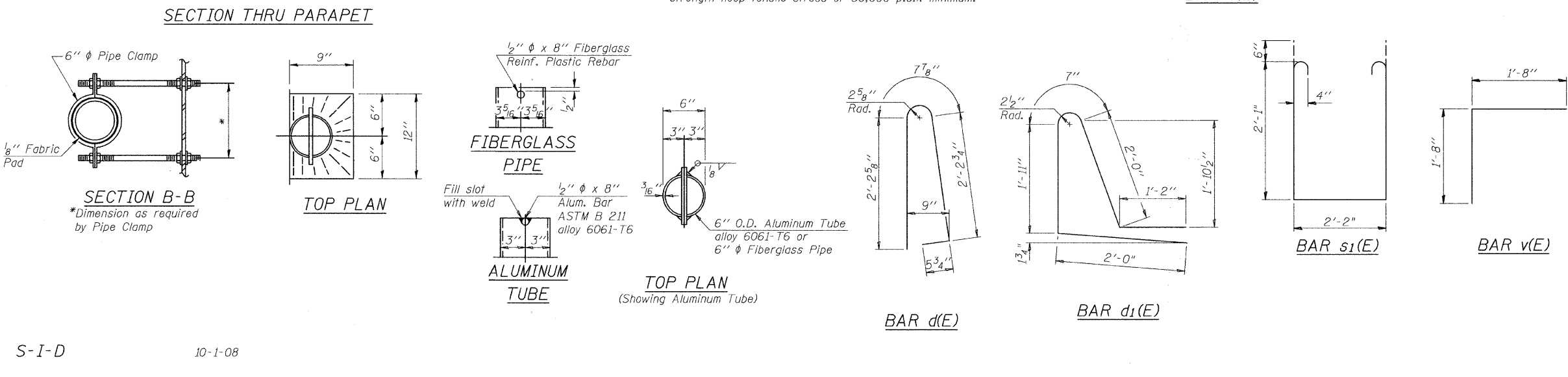
ROUTE NO.	SECTION	COUNTY	TOTAL SHEETS	SHEET NO.
N. LINCOLN AVE.	07-25932-00-BR	CHAMPAIGN	50	20
STA.	TO STA.			
F.H.W.A. REG.	ILLINOIS	PROJECT		



**SUPERSTRUCTURE BILL OF MATERIAL**

Bar	No.	Size	Length	Shape	
d(E)	339	#5	16'-1"	—	
a1(E)	339	#5	22'-1"	—	
a2(E)	200	#6	6'-0"	—	
b(E)	184	#5	30'-9"	—	
b1(E)	84	#6	26'-0"	—	
b2(E)	180	#5	25'-0"	—	
d(E)	254	#5	5'-7"	—	
d1(E)	254	#5	7'-8"	—	
e(E)	56	#4	15'-0"	—	
e1(E)	56	#4	5'-0"	—	
e2(E)	28	#4	16'-4"	—	
e3(E)	4	#8	30'-5"	—	
e4(E)	8	#8	5'-0"	—	
e5(E)	2	#8	33'-0"	—	
e6(E)	8	#4	16'-6"	—	
e7(E)	8	#4	5'-0"	—	
e8(E)	4	#4	17'-9"	—	
m(E)	10	#6	16'-3"	—	
m1(E)	10	#6	22'-3"	—	
m2(E)	42	#6	8'-0"	—	
s(E)	84	#5	5'-0"	U	
s1(E)	84	#4	7'-4"	U	
v(E)	76	#5	3'-4"	Γ	
Reinforcement Bars, Epoxy Coated Concrete Superstructure				Pound	36,700
				Cu. Yds.	164.7

Bars indicated thus 1 x 2 - #5 etc. indicates 1 line of bars with 2 lengths per line.



**SUPERSTRUCTURE DETAILS**

SECTION: 07-25932-00-BR  
CHAMPAIGN COUNTY  
STATION 10+00

S-I-D 10-1-08